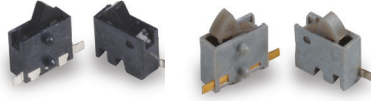




**THE DATASHEET OF
HDS001R**



HDS Series Micro Mini Side Actuated Surface Mount Detect Switches



Features/Benefits

- Low profile package sits just 1.4 mm off PCB
- Design allows top or side actuation
- Right and left options available
- Low actuation force, 30 grams max.
- Pick and place compatible, available in tape & reel packaging
- RoHS compliant and compatible

Typical Applications

- Consumer electronics
- Computers
- Medical devices
- Mobile Communications
- ATCA and MicroTCA devices

Specifications

CONTACT RATING: 1 mA 5 VDC
MECHANICAL AND ELECTRICAL LIFE: 100,000 cycles min.
CONTACT RESISTANCE: 1 Ω max. initial.
INSULATION RESISTANCE: 100 M Ω min. between adjacent contacts.
OPERATING TEMPERATURE: -40°C to + 80°C
STORAGE TEMPERATURE: -40°C to + 80°C
PACKAGING: tape & reel; 5,000 per reel.
TRAVEL:
Pre-travel .17 mm min.
Overtravel: .5 mm min.
Total: 1.07 mm

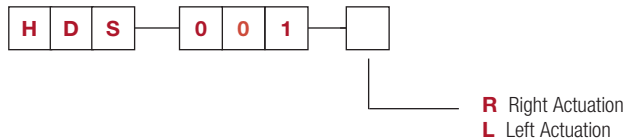
Materials

BASE: LCP HDS001L: Gray HDS001R: Black
COVER: PA 46 (UL94V-0)
ACTUATOR: PA 46 (UL94V-0) HDS001L: Gray HDS001R: Black
MOVABLE BLADE: Stainless Steel, Ag over Ni plating.
TERMINALS: Phosphor Bronze, Ag plating.

NOTE: Specifications and materials listed above are for switches with standard options. For information on specific and custom switches, consult Customer Service Center.

How To Order

Our easy build-a-switch concept allows you to mix and match options to create the switch you need. To order, select desired option from each category and place it in the appropriate box.

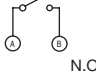


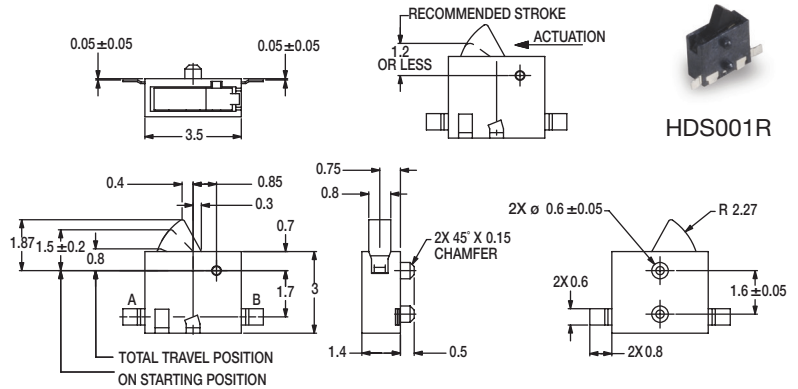
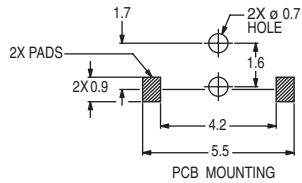
m

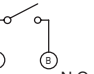
Detect

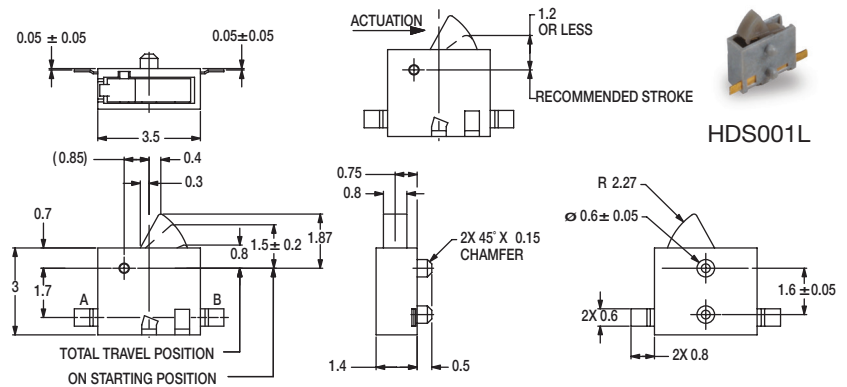
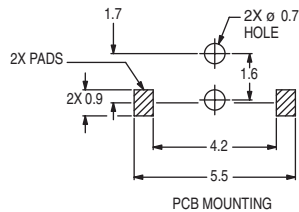
HDS Series Micro Mini Side Actuated Surface Mount Detect Switches

Complete part numbers for HDS Series are shown below.

PART NUMBER	PACKAGING	SCHEMATIC
HDS001R	TAPE & REEL	



PART NUMBER	PACKAGING	SCHEMATIC
HDS001L	TAPE & REEL	

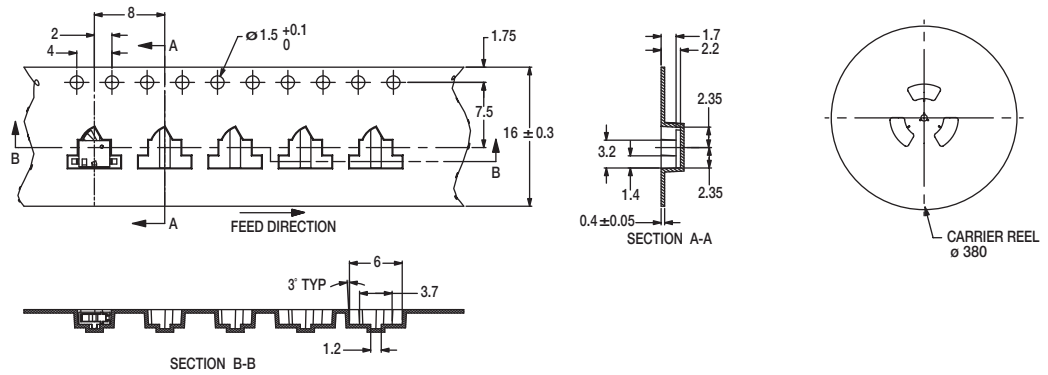


Detect

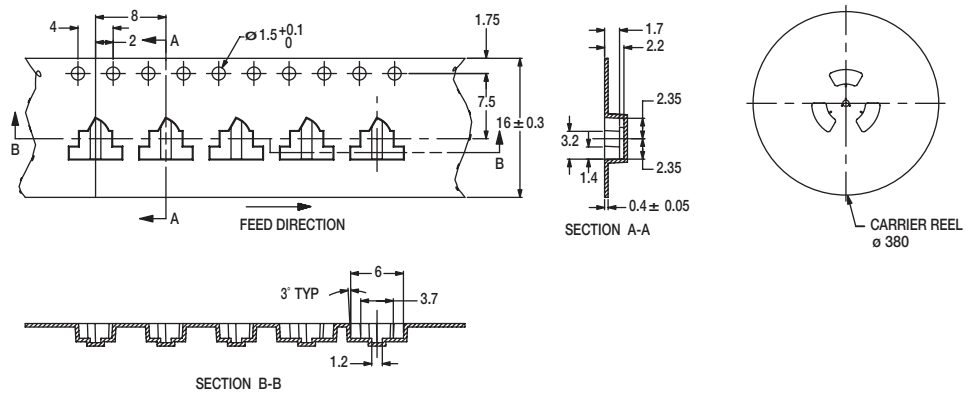
HDS Series Micro Mini Side Actuated Surface Mount Detect Switches

TAPE & REEL

HDS001R



HDS001L



NOTE: Quantity per reel: 5,000 pieces



Detect





Third Angle Projection

Dimensions are shown: mm
Specifications and dimensions subject to change



Looking for pricing, stock, or lifecycle information?

Click below to explore more details on WIN SOURCE:

-  [View HDS001R on WIN SOURCE](#)
-  [C&K Components Information](#)

Optimize Your Supply Chain with WIN SOURCE Solutions

-  Global Sourcing Solution
-  Obsolete Management
-  Cost Control Management
-  Shortage Management
-  Alternative Solution
-  Excess Inventory Management