



**THE DATASHEET OF
MLX91220KDC-ABR-050-RE**

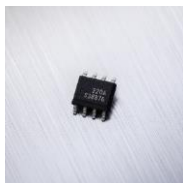


MLX91220 Integrated Current Sensor IC

Datasheet

1. Features and Benefits

- Factory trimmed AC and DC current sensor
- Analog ratiometric or fixed output voltage
- Combining sensing element, signal conditioning & isolation in SOIC package
- No application programming required
- High speed sensing
 - DC to 300kHz bandwidth
 - 2 μ s response time
- Robust against external magnetic fields
- No magnetic hysteresis
- Double overcurrent detection (SOIC-16)
- Low ohmic losses of integrated conductor
 - 1.09m Ω SOIC-8 / 0.89m Ω SOIC-16
- SOIC-8 narrow body and SOIC-16 wide body package, RoHS compliant
- Lead free component, suitable for lead free soldering profile up to 260°C, MSL3
- Rated voltage isolation
 - 3550 V_{RMS} for SOIC-8
 - 5400 V_{RMS} for SOIC-16
- Suitable for Basic and Reinforced voltage isolation



SOIC-8



IEC/UL 62368-1:2014
(2nd edition)



SOIC-16



2. Applications

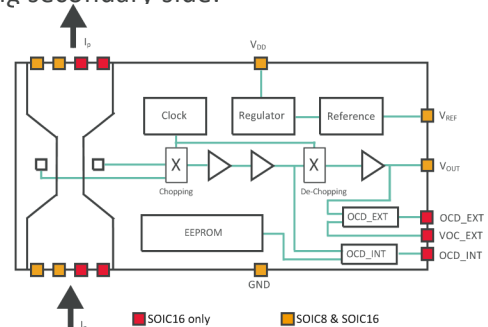
- AC and DC Chargers
- Electric Drives
- DCDC converters
- Solar
- Power Supplies
- Demand/Load control

3. Description

The MLX91220 is an Isolated Integrated Current Sensor that senses the current flowing through the low impedance leadframe of the SOIC package. By virtue of fixing the current conductor position with respect to the monolithic CMOS sensor, a fully integrated Hall-effect current sensor is obtained, that is factory calibrated.

Inside the package, the magnetic flux density generated by the current flow is sensed differentially by two sets of Hall plates. As a result the influence of external disturbing fields is minimized in the fast analog front-end. The residual signal is amplified to provide a high-speed linear analog output voltage.

The close proximity of the Hall plates to the current conductor ensures a high signal-to-noise ratio and an accurate signal over temperature. Even with this miniaturization, high voltage isolation ratings are still maintained between the primary and the opposing secondary side.



Contents

1. Features and Benefits	1
2. Applications	1
3. Description	1
4. Ordering Information	4
5. Functional Diagram	6
5.1. Ratiometric Mode	6
5.2. Differential or Fixed Mode ⁽¹⁾	7
6. Glossary of Terms	8
7. Pinout	9
8. Absolute Maximum Ratings	10
9. MLX91220 General Electrical Specifications	11
10. MLX91220 General Current Specifications	12
11. MLX91220 Voltage Isolation Specifications	13
12. MLX91220 Timing Specifications	14
13. Diagnostics	15
14. MLX91220 Accuracy Specifications	15
14.1. Definitions	15
14.2. MLX91220KDx-ABF-117 Specifications	17
14.3. MLX91220KDx-ABR-020 Specifications	18
14.4. MLX91220KDx-ABR-025 Specifications	19
14.5. MLX91220KDx-ABF-025 Specifications	20
14.6. MLX91220KDx-ABR-030 Specifications	21
14.7. MLX91220KDx-ABR-050 Specifications	22
14.8. MLX91220KDx-ABF-050 Specifications	23
14.9. MLX91220KDx-AUF-050 Specifications	24
14.10. MLX91220KDx-ABR-075 Specifications	25
14.11. MLX91220KDx-ABF-075 Specifications	26
15. MLX91220 Overcurrent Detection	27
15.1. General	27
15.2. Electrical Specifications	28
15.3. Internal Overcurrent Detection Principle	28
15.4. External Overcurrent Detection Principle	29

16. Recommended Application Diagrams.....	30
16.1. Resistor and Capacitor Values.....	30
16.2. SOIC8 Application Diagram	31
16.3. SOIC16 Application Diagram	31
17. Standard information regarding manufacturability with different soldering processes	33
18. ESD Precautions.....	34
19. Package Information.....	34
19.1. SOIC-8 150mils - Package Dimensions.....	34
19.2. SOIC-16 300mils - Package Dimensions.....	35
19.3. Packaging marks	37
20. Contact.....	37
21. Disclaimer.....	38

4. Ordering Information

Product Code	Package	Current Measurement Range	Output type	Sensitivity	OCD level
MLX91220KDC-ABF-025-RE	SOIC8	25 A	Fixed, Bipolar	80 mV/A	
MLX91220KDC-ABF-050-RE	SOIC8	50 A	Fixed, Bipolar	40 mV/A	
MLX91220KDC-AUF-050-RE	SOIC8	50 A	Fixed, Unipolar	80 mV/A	
MLX91220KDC-ABR-020-RE	SOIC8	20 A	Ratiometric, Bipolar	100 mV/A	
MLX91220KDC-ABR-025-RE	SOIC8	25 A	Ratiometric, Bipolar	80 mV/A	
MLX91220KDC-ABR-030-RE	SOIC8	30 A	Ratiometric, Bipolar	66 mV/A	
MLX91220KDC-ABR-050-RE	SOIC8	50 A	Ratiometric, Bipolar	40 mV/A	
MLX91220KDF-ABF-117-RE	SOIC16	17 A	Fixed, Bipolar	120 mV/A	14.8 A
MLX91220KDF-ABF-025-RE	SOIC16	25 A	Fixed, Bipolar	80 mV/A	27.8 A
MLX91220KDF-ABF-050-RE	SOIC16	50 A	Fixed, Bipolar	40 mV/A	55.6 A
MLX91220KDF-AUF-050-RE	SOIC16	50 A	Fixed, Unipolar	80 mV/A	55 A
MLX91220KDF-ABF-075-RE	SOIC16	75 A	Fixed, Bipolar	26.7 mV/A	83.4 A
MLX91220KDF-ABR-075-RE	SOIC16	75 A	Ratiometric, Bipolar	26.7 mV/A	83.4 A
MLX91220KDF-ABR-025-RE	SOIC16	25 A	Ratiometric, Bipolar	80 mV/A	27.8 A
MLX91220KDF-ABR-050-RE	SOIC16	50 A	Ratiometric, Bipolar	40 mV/A	55.6 A

Table 1: Ordering information

Legend:

Temperature Code:	K: from -40°C to 125°C ambient temperature
Package Code:	“DC” for SOIC-8 NB (Narrow Body – 150mils) package “DF” for SOIC-16 WB (Wide Body – 300mils) package
Option Code:	Axx-xxx: die version xBx-xxx: “B” for bipolar ⁽¹⁾ and “U” for unipolar xxF-xxx: “F” for fixed mode output and “R” for ratiometric output xxx-0xx: “0” for default trimming xxx-x50: “50” for Full Scale current measurement (corresponding to 2V excursion from V_{OQ} in bipolar case, and 4V excursion in unipolar case)
Packing Form:	“RE” for Reel
Ordering Example:	MLX91220KDC-ABF-050-RE

Table 2: Legend

- (1) Bipolar output indicates that the sensor provides a symmetrical output around the 0A point which is set at half the output voltage (50% V_{DD}) in case of ratiometric mode, and V_{REF} equals 50% V_{DD} in case of fixed mode. Both designs imply sensing of positive and negative currents.

Melexis is continuously expanding its product portfolio by adding new option codes to better meet the needs of our customer’s applications. This table is being updated frequently, please go to the [Melexis website](#) to download the latest version of this datasheet. For custom transfer characteristics, please contact your local Melexis Sales representative or distributor.

5. Functional Diagram

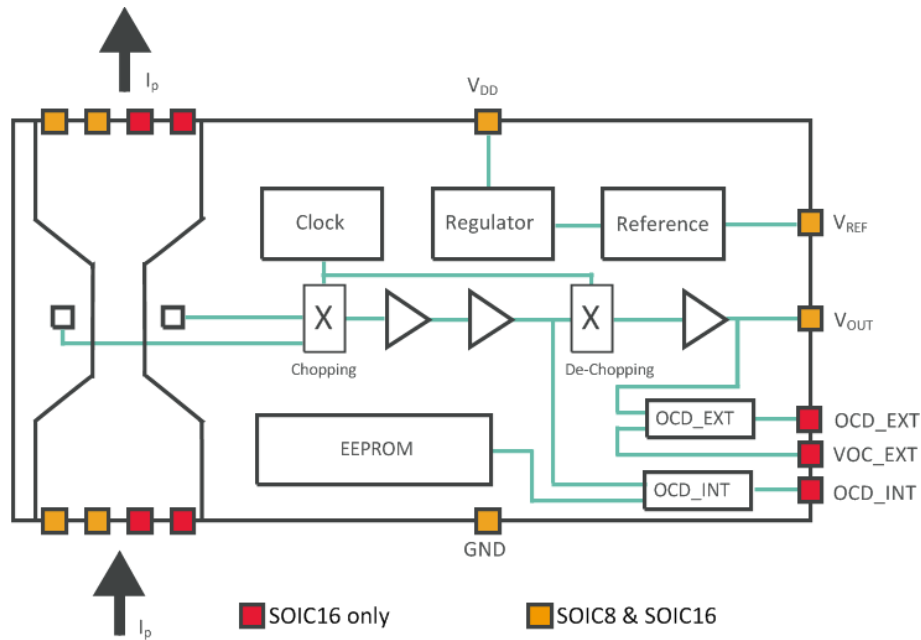


Figure 1: Functional Diagram for MLX91220

The sensor can be used in 2 different modes, depending on the application. Both modes rely on the output voltage of the sensor being proportional to the flow of current, but the difference resides in the signal reconstruction.

5.1. Ratiometric Mode

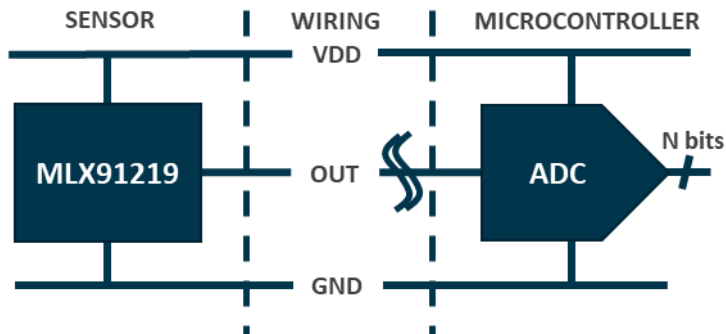


Figure 2: Schematic of ratiometric mode

No matter if the V_{DD} line is at 5V or deviating $\pm 10\%$, the ADC code for a given measured current will always be the same as the ADC is supplied by the same voltage as the sensor. The sensor has a sensitivity expressed in $\%V_{DD}/A$.

5.2. Differential or Fixed Mode⁽¹⁾

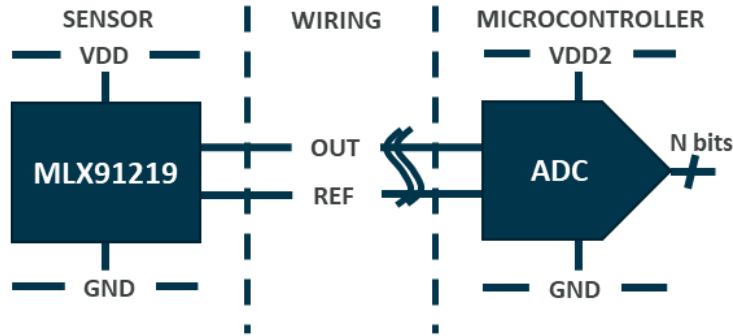


Figure 3: Schematic of fixed mode

In this particular case the ADC does not necessarily share the same supply voltage with the sensor. For this reason, the sensor is calibrated with an absolute sensitivity regardless of the actual supply voltage. The output signal can be reconstructed by taking the difference between the output and the reference voltage from the IC. The ADC gets these two signals as inputs for establishing the sensed current accurately, and is not influenced by the supply voltage differences between both sensor and microcontroller, if applicable.

Parameter	Ratiometric Mode	Differential or Fixed Mode
Output Signal	$V_{OUT} [\%V_{DD}]$ Example: output is 2.5V when supply is 5V → output is then 50% V_{DD} . If the supply (V_{DD}) increases with 5% to 5.25V the sensor output will (for the same measured input current) scale proportionally with the supply voltage, becoming 2.625V, but as a percentage (i.e. ratiometrically seen) it remains at 50% of V_{DD} .	$V_{OUT} - V_{REF} [V]$ Example: output is 2.501V and V_{REF} is 2.501V when supply is 5V. When the supply voltage is increasing to 5.1V due to supply system variation, the sensor will still maintain the same “fixed” output values V_{OUT} and V_{REF} .
Offset	$V_{OUT}[0A] = 50 [\%V_{DD}]$ (factory trimmed)	$V_{REF} = 2.5 [V]$ (factory trimmed) $V_{OUT}[0A]-V_{REF} = 0 [V]$
Offset ratiometric	Yes	No
Sensitivity	$[\%V_{DD}/A]^{(2)}$	$[mV/A]$
Sensitivity ratiometric	Yes	No
Measured Current	$\frac{(V_{OUT} - V_{OUT}[0A])}{Sensitivity}$	$\frac{(V_{OUT} - V_{REF})}{Sensitivity}$

Table 3: Parameters of differential and fixed modes

(1) More information can be found in Application Note AN91220_ReferencePin on www.melexis.com

(2) The sensitivity in ratiometric mode is expressed as $[\%V_{DD}/A]$. However, for simplicity, in the datasheet the sensitivity will be always expressed in $[mV/A]$. For ratiometric devices, this corresponds to the sensitivity for $V_{DD}=5V$, depending on the settings of the sensor.

6. Glossary of Terms

Gauss (G), Tesla (T)	Units for the magnetic flux density - 1 mT = 10 G
TC	Temperature Coefficient (in ppm/°C)
NC	Not Connected
IP	Integrated Primary
ASP	Analog Signal Processing
DSP	Digital Signal Processing
AC	Alternate Current
DC	Direct Current
EMC	Electro-Magnetic Compatibility
FS	Full Scale
OCD	OverCurrent Detection

Table 4: Glossary of Terms

7. Pinout

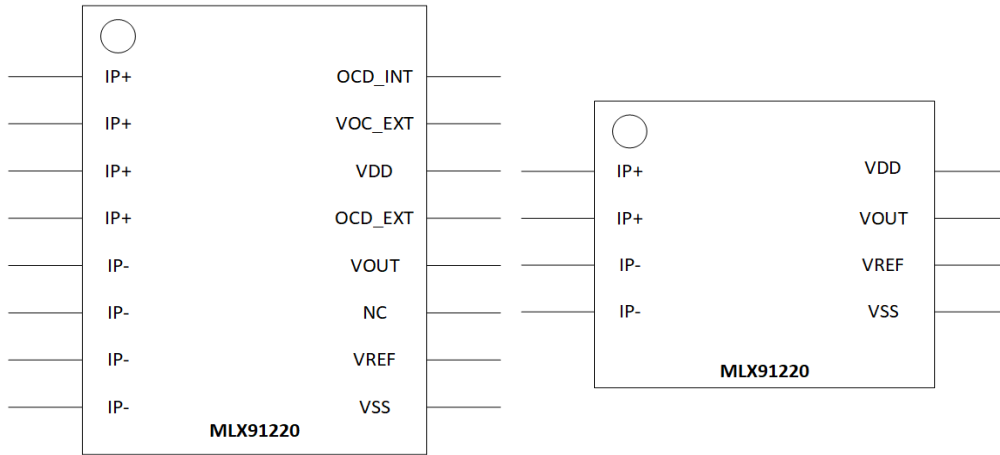


Figure 4: SOIC-16 and SOIC-8 pinouts

PIN	SOIC-8		SOIC-16	
	Pin	Function	Pin	Function
1	IP+	Primary Current Path Input	IP+	Primary Current Path Input
2				
3	IP-	Primary Current Path Output	IP-	Primary Current Path Output
4				
5	V _{SS}	Ground Voltage		
6	V _{REF}	Reference Voltage		
7	V _{OUT}	Output Voltage		
8	V _{DD}	Supply Voltage		
9			V _{SS}	Ground Voltage
10			V _{REF}	Reference Voltage
11			NC	Not connected
12			V _{OUT}	Output Voltage
13			OCD _{EXT}	External Overcurrent detection
14			V _{DD}	Supply Voltage
15			VOC _{EXT}	External Overcurrent threshold voltage
16			OCD _{INT}	Internal Overcurrent Detection

Table 5: Pinout definition

For optimal EMC behavior, it is recommended to connect the unused pin (NC) to V_{SS} (see Chapter 16).

8. Absolute Maximum Ratings

Exceeding the absolute maximum ratings may cause permanent damage. Exposure to absolute maximum-rated conditions for extended periods may affect device reliability

Parameter	Value
Positive Supply Voltage (overvoltage)	+ 8 V
Positive Supply Voltage (maintaining application mode)	+ 6.5 V
Reverse Supply Voltage	- 0.3 V
Positive Pin Voltage ⁽¹⁾	$V_{DD} + 0.3 \text{ V}$
Output Sourcing Current	+ 25 mA
Reverse Pin Voltage ⁽¹⁾	- 0.3 V
Output Sinking Current	+50 mA
Operating Ambient Temperature Range, T_A	- 40°C to + 125°C
Storage Temperature Range, T_S	- 40°C to + 150°C
Maximum Junction Temperature, T_J ⁽²⁾	+ 165°C

Table 6: Absolute maximum ratings

(1) Except for V_{DD} and V_{SS}

(2) For more information on how the junction temperature relates to the applied current and ambient temperature range, please refer to section 10.

9. MLX91220 General Electrical Specifications

DC Operating Parameters at $V_{DD} = 5V$ (unless otherwise specified) and for T_A as specified by the Temperature suffix (K).

Parameter	Symbol	Test Conditions	Min	Typ	Max	Units
Supply Current	I_{DD}	Without R_{LOAD} , in application mode		20	26	mA
V_{OUT} output resistance	R_{OUT}	$V_{OUT} = 50\%V_{DD}$, $I_{LOAD} = 10\text{ mA}$		1	5	Ω
Voltage Reference Output Resistance	R_{REF}	$V_{REF} = 50\%V_{DD}$, $I_{SINK} = 5\text{ mA}$ or $I_{SOURCE} = 0.2\text{ mA}$	120	200	333	Ω
Output Capacitive Load	C_{LOAD}	Output amplifier stability is optimized for this typical value	0	4.7	6	nF
Common Mode Field Sensitivity ⁽¹⁾	CMFS	For SOIC16		0.4		mA/G
		For SOIC8		0.4		mA/G
Output Short Circuit Current	I_{SHORT}	Output shorted to V_{DD} or V_{SS} - Permanent			180	mA
Output Leakage current	I_{LEAK}	High impedance mode, $T_A = 125^\circ\text{C}$ $T_J < 150^\circ\text{C}$		2	20	μA
Output Voltage Linear Swing	V_{OUT_LSW}	$V_{DD} > 4.6\text{ V}$ for Fixed Mode versions	10		90	$\%V_{DD}$

Table 7: General electrical specifications

- (1) Common Mode Field Sensitivity expresses the sensor's susceptibility to a homogeneously applied field perpendicular to the package surface. The differential measurement cancels out such common mode magnetic fields, but due to the matching between both Hall plate clusters flanking the current conductor, this is not perfect. This parameter expresses the mA output error as a result of such 1 mT applied field. It has to be noted, that magnetic fields generated by nearby conductors are not homogenous but introduce gradients. More information in this regard can be found in Application Note AN91220_ExternalFieldImmunity on www.melexis.com

10. MLX91220 General Current Specifications

DC Operating Parameters at $V_{DD} = 5V$ (unless otherwise specified) and for T_A as specified by the Temperature suffix (K).

Parameter	Symbol	Test Conditions	Min	Typ	Max	Units
Electrical Resistance of the Primary Current Path	R_{IP_SOIC8}	$T_A=25^\circ C$		1.09		m Ω
	R_{IP_SOIC16}			0.89		m Ω
Measurement Range	I_{P_MAX}	Option Code ABx-117		16.7		A
		Option Code ABx-025		25		A
		Option Code ABx-030		30		A
		Option Code ABx-050		50		A
		Option Code AUF-050		50		A
		Option Code ABx-075		75		A
Nominal Current	I_{P_NOM}	Option Code ABx-117		6.7		A
		Option Code ABx-025		10		A
		Option Code ABx-030		12		A
		Option Code ABx-050		20		A
		Option Code AUF-050		20		A
		Option Code ABx-075		30		A
Linearity Error	NL	Current in range I_{P_NOM} , $T_A=25^\circ C$			± 0.3	%FS
	NL	Current in range I_{P_MAX} , $T_A=25^\circ C$			± 0.6	%FS
Current Capability ⁽¹⁾	$I_{P_C85_SOIC8}$	Continuous, $T_A=-40$ to $85^\circ C$			± 25	A
	$I_{P_C25_SOIC8}$	Continuous, $T_A=25^\circ C$			± 40	A
	$I_{P_C85_SOIC16}$	Continuous, $T_A=-40$ to $85^\circ C$			± 30	A
	$I_{P_C25_SOIC16}$	Continuous, $T_A=25^\circ C$			± 45	A

Table 8: General current specifications

- (1) Current capability based on the reference Melexis PCB made of 2x 105 μm copper layer without any forced air or other form of cooling. Continuous or RMS current ranges in application are typically higher than this. More information can be found in Application Notes AN91220_FuseCurrent Capability and AN91220_ThermalManagement on www.melexis.com.

11. MLX91220 Voltage Isolation Specifications

Parameter	Symbol	Test Conditions	Value	Units
Dielectric Strength Test Voltage ⁽¹⁾ ₍₂₎	V _{ISO_SOIC8}	IEC62368-1:2018	3550	V _{RMS}
	V _{ISO_SOIC16}		5400	V _{RMS}
Impulse withstand voltage test	V _{IMPULSE_SOIC8}	Test according to IEC61000-4-5, ±5 pulses at 2/minute, 1.2 µs (rise) / 50 µs (width)	4000	V _{pk}
	V _{IMPULSE_SOIC16}		6000	V _{pk}
Clearance (primary to secondary)	D _{CL_SOIC8}	Shortest distance through air	4	mm
	D _{CL_SOIC16}		8.1	mm
Creepage (primary to secondary)	D _{CR_SOIC8}	Shortest path along body	3.6	mm
	D _{CR_SOIC16}		7.1	mm
Comparative tracking index	CTI		>600	
Material Group	-		I	
Working Voltage for Basic Isolation	V _{WV_SOIC8}	IEC62368-1:2018 Based on Pollution degree 2, Material Group I	715	V _{RMS}
	V _{WV_SOIC16}		1415	V _{RMS}
Working Voltage for Reinforced Isolation	V _{WV_SOIC8}	IEC62368-1:2018 Based on Pollution degree 2, Material Group I	357	V _{RMS}
	V _{WV_SOIC16}		707	V _{RMS}

Table 9: Voltage isolation specifications

- (1) Agency type tested, measured between IP (pin 1-4 on SOIC8, pin 1-8 on SOIC16) and Secondary side (pin 5-8 on SOIC8, pin 9-16 on SOIC16).
- (2) Melexis performs routine production-line tests, for all SOIC8 & SOIC16 devices produced.

12. MLX91220 Timing Specifications

DC Operating Parameters at $V_{DD} = 5V$ (unless otherwise specified) and for T_A as specified by the Temperature suffix (K).

Parameter	Symbol	Test Conditions	Min	Typ	Max	Units
Step Response Time	T_{RESP}	Delay between the input signal reaching 90% and the output reaching 90% (see Figure 5)			2	μs
Bandwidth	BW	-3dB, $T_A = 25^\circ C$		300		kHz
Power on Delay ⁽¹⁾	T_{POD}	V_{REF} capacitor = 47nF			0.6	ms

Table 10: Timing specifications

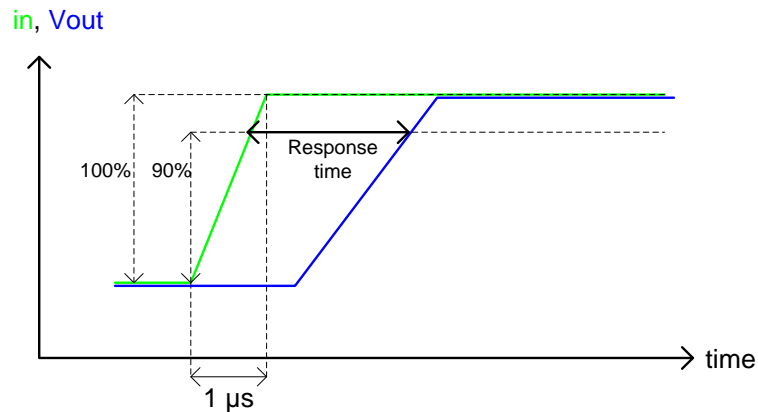


Figure 5: Response Time definition

- (1) During the power on, the output follows a routine and is not valid (i.e. it is not related to magnetic field) for $T_{POD}=1ms$.

13. Diagnostics

It is possible to take advantage of diagnostic features, with the help of adding a pull-down resistor (see Section 16). If a failure event occurs, the measured output will be set to ground. This can be interpreted as failure by the microcontroller unit.

Error	Effect on Output
Calibration data CRC Error	Output stage in high-Z mode. A pull-down resistor to ground will result in output equal to ground.
VDD Under voltage Thresholds: <ul style="list-style-type: none"> • Power-up: VDD < 2.8V • Power-down: VDD < 2.5V 	Output is pulled to GND with a 2kΩ resistance, until VDD is inside the specified ranges, depending if the device is powering on or off.
Broken OUT	Pull-down external resistor allows to measure a voltage equal to GND.

Table 11: Description of the diagnostic modes in MLX91220

14. MLX91220 Accuracy Specifications

14.1. Definitions

14.1.1. Thermal Reference Drift

The thermal reference drift is the variation of the reference voltage (V_{REF}) over temperature. It is expressed in ppm/°C.

$$\begin{aligned}
 + \Delta T_{VREF} &= \left(\frac{V_{ref}[125^{\circ}\text{C}]}{V_{ref}[35^{\circ}\text{C}]} - 1 \right) \cdot \frac{1}{(125 - 35)} \cdot 10^6 \\
 - \Delta T_{VREF} &= \left(\frac{V_{ref}[-40^{\circ}\text{C}]}{V_{ref}[35^{\circ}\text{C}]} - 1 \right) \cdot \frac{1}{(-40 - 35)} \cdot 10^6
 \end{aligned}$$

14.1.2. Voltage Output Quiescent

V_{OQ} corresponds to the difference between the measured and the ideal outputs when no current is flowing through the MLX91220 at $T_A=25^{\circ}\text{C}$.

$$V_{OQ} = V_{OUT}[0A]_{measured} - V_{OUT}[0A]_{ideal}$$

14.1.3. Thermal Offset Drift

$\Delta T_{V_{OQ}}$ corresponds to variation of V_{OQ} in temperature.

14.1.4. Sensitivity

The sensitivity is the ratio between the output of the MLX91220 and the input current.

For ratiometric devices, as the output will scale with the supply, sensitivity is expressed as [%V_{DD}]/A. For simplicity, in the datasheet the sensitivity will be always expressed in mV/A. For ratiometric devices, this corresponds to the sensitivity for V_{DD}=5V, depending on the settings of the sensor.

For fixed devices, the output does not vary with the V_{DD}, sensitivity is thus expressed as mV/A.

14.1.5. Linearity Error

The linearity error is the deviation of the output from the expected linear behaviour. To obtain the linearity error, the current is swept from -I_{PM} to I_{PM}. To decorrelate the thermal drift from the linearity error, the junction temperature should be fixed below 50°C.

$$NL = \frac{V_{out}[I] - BESTFIT(V_{out}[I])}{V_{out}[I_{PM}] - V_{out}[-I_{PM}]} \cdot 100 \text{ [%FS]}$$

14.1.6. Ratiometry Offset and Sensitivity Error

Ratiometric Mode

In Ratiometric mode, V_{OUT} and V_{REF} are scaled with the supply voltage. V_{DDnom} = 5V

Ratiometric V_{OQ} Error:

$$\Delta R_{VOQ} = V_{OQ} [V_{DDnom}] - V_{OQ} [V_{DDnom} \pm 10\%] \cdot \frac{V_{DDnom}}{V_{DDnom} \pm 10\%} \text{ [mV]}$$

Ratiometric Sensitivity Error:

$$\Delta R_S = 100 \cdot \left(1 - \frac{S[V_{DDnom} \pm 10\%]}{S[V_{DDnom}]} \cdot \frac{V_{DDnom}}{V_{DDnom} \pm 10\%} \right) \text{ [%]}$$

Fixed Mode

In Fixed mode, V_{OUT} and V_{REF} are not scaled with the supply voltage. Ideally, they do not vary. V_{DDnom} = 5V

Non-Ratiometric V_{OQ} Error:

$$\Delta R_{VOQ} = V_{OQ} [V_{DDnom} \pm 10\%] - V_{OQ} [V_{DDnom}] \text{ [mV]}$$

Non-Ratiometric Sensitivity Error:

$$\Delta R_S = \left(\frac{S[V_{DDnom} \pm 10\%]}{S[V_{DDnom}]} - 1 \right) \cdot 100 \text{ [%]}$$

14.2. MLX91220KDx-ABF-117 Specifications

DC Operating Parameters at $V_{DD} = 5V$ (unless otherwise specified), for T_A as specified by the Temperature suffix (K) and for $T_J < 150\text{ }^\circ\text{C}$.

Parameter	Symbol	Test Conditions	Min	Typ	Max	Units
Primary current	I_{PM}	For $V_{DD} > 4.6\text{ V}$	-16.7		16.7	A
Nominal Supply Voltage	V_{DD}	For I such as $V_{OUT} < V_{DD} - 0.1\text{ V}$	4.5	5	5.5	V
Voltage Reference	V_{REF}	$T_A = 25^\circ\text{C}$. No resistive load on Vref pin	2.48	2.5	2.52	V
Thermal Reference Drift	ΔT_{VREF}	Variation versus 25°C			± 150	ppm/ $^\circ\text{C}$
Voltage Output Quiescent	V_{OQ}	No current flowing through IP, $V_{OUT} - V_{REF}$, $T_A = 25^\circ\text{C}$ No resistive load on V_{OUT} and V_{REF}	-7.5 -63		7.5 63	mV mA
Ratiometry Offset Error	ΔR_{VOQ}	$T_A = 25^\circ\text{C}$ and for $\pm 10\% V_{DD}$	-5		5	mV
Thermal Offset Drift	ΔT_{VOQ}	Referred to $T_A = 25^\circ\text{C}$, $IP = 0\text{ A}$		± 5 ± 42	± 10 ± 84	mV mA
Lifetime Offset Drift	ΔL_{VOQ}			± 2		mV
Sensitivity	S	At $T_A = 25^\circ\text{C}$ For $T_J < 50\text{ }^\circ\text{C}$	-1 118.8	120	1 121.2	%S mV/A
Ratiometry Sensitivity Error	ΔR_S	$T_A = 25^\circ\text{C}$ and for $\pm 10\% V_{DD}$	-0.6		0.6	%S
Thermal Sensitivity Drift	ΔT_S	Current range IP_{MAX}		± 1	± 1.5	%S
Sensitivity Drift over lifetime	ΔL_S			± 1	± 2	%S
Output Noise Spectral Density	N_{SD}	$IP = 0\text{ A}$, $T_A = 25^\circ\text{C}$ within $BW = 1 \dots 100\text{ kHz}$		179		$\mu\text{A}/\sqrt{\text{Hz}}$
Output RMS Noise	N_{RMS}	$IP = 0\text{ A}$, $T_A = 25^\circ\text{C}$ $BW = 300\text{ kHz}$		116		mA_{RMS}
OCD _{INT} Threshold Current ⁽¹⁾	I_{OCD}			14.8		A
OCD _{INT} Accuracy ⁽¹⁾	ϵ_{IOCD}	$T_A = 25^\circ\text{C}$ $T_A = -40^\circ\text{C}$ to 85°C		9.7 17.6		%Threshold %Threshold
OCD _{EXT} threshold error ⁽¹⁾	ϵ_{EOCD}		-6		6	%FS

Table 12: MLX91220KDx-ABF-117 specifications

(1) For SOIC16 version

14.3. MLX91220KDx-ABR-020 Specifications

DC Operating Parameters at $V_{DD} = 5V$ (unless otherwise specified), for T_A as specified by the Temperature suffix (K) and for $T_j < 150\text{ }^\circ\text{C}$.

Parameter	Symbol	Test Conditions	Min	Typ	Max	Units
Primary current	I_{PM}		-20		20	A
Nominal Supply Voltage	V_{DD}		4.5	5	5.5	V
Voltage Output Quiescent	V_{OQ}	No current flowing through IP, $V_{OUT} = -V_{DD}/2$, $T_A = 25^\circ\text{C}$ No resistive load on V_{OUT} and V_{REF}	-7.5 -75		7.5 75	mV mA
Ratiometry Offset Error	ΔR_{VOQ}	$T_A = 25^\circ\text{C}$ and for $\pm 10\% V_{DD}$	-10		10	mV
Thermal Offset Drift	ΔT_{VOQ}	Referred to $T_A = 25^\circ\text{C}$, $I_P = 0A$		± 5 ± 50	± 7.5 ± 75	mV mA
Lifetime Offset Drift	ΔL_{VOQ}			± 2		mV
Sensitivity	S	At $T_A = 25^\circ\text{C}$ For $T_j < 50\text{ }^\circ\text{C}$	-1 99	100	1 101	%S mV/A
Ratiometry Sensitivity Error	ΔR_S	$T_A = 25^\circ\text{C}$ and for $\pm 10\% V_{DD}$		± 0.5		%S
Thermal Sensitivity Drift	ΔT_S	Current range $I_{P_{MAX}}$		± 1	± 1.5	%S
Sensitivity Drift over lifetime	ΔL_S			± 1	± 2	%S
Output Noise Spectral Density	N_{SD}	$I_P = 0A$, $T_A = 25^\circ\text{C}$ within $BW = 1 \dots 100\text{kHz}$		186		$\mu\text{A}/\sqrt{\text{Hz}}$
Output RMS Noise	N_{RMS}	$I_P = 0A$, $T_A = 25^\circ\text{C}$ $BW = 300\text{kHz}$		120		mA_{RMS}
OCD _{INT} Threshold Current ⁽¹⁾	I_{OCD}			22.2		A
OCD _{INT} Accuracy ⁽¹⁾	ϵ_{IOCD}	$T_A = 25^\circ\text{C}$ $T_A = -40^\circ\text{C}$ to 85°C		8 12		%Threshold %Threshold
OCD _{EXT} threshold error ⁽¹⁾	ϵ_{EOCD}		-6		6	%FS

Table 13: MLX91220KDx-ABR-020 specifications

(1) For SOIC16 version

14.4. MLX91220KDx-ABR-025 Specifications

DC Operating Parameters at $V_{DD} = 5V$ (unless otherwise specified), for T_A as specified by the Temperature suffix (K) and for $T_J < 150\text{ }^\circ\text{C}$.

Parameter	Symbol	Test Conditions	Min	Typ	Max	Units
Primary current	I_{PM}		-25		25	A
Nominal Supply Voltage	V_{DD}		4.5	5	5.5	V
Voltage Output Quiescent	V_{OQ}	No current flowing through IP, $V_{OUT} = -V_{DD}/2$, $T_A = 25^\circ\text{C}$ No resistive load on V_{OUT} and V_{REF}	-7.5 -94		7.5 94	mV mA
Ratiometry Offset Error	ΔR_{VOQ}	$T_A = 25^\circ\text{C}$ and for $\pm 10\% V_{DD}$	-10		10	mV
Thermal Offset Drift	ΔT_{VOQ}	Referred to $T_A = 25^\circ\text{C}$, $I_P = 0A$		± 5 ± 63	± 7.5 ± 94	mV mA
Lifetime Offset Drift	ΔL_{VOQ}			± 2		mV
Sensitivity	S	At $T_A = 25^\circ\text{C}$ For $T_J < 50\text{ }^\circ\text{C}$	-1 79.2	80	1 80.8	%S mV/A
Ratiometry Sensitivity Error	ΔR_S	$T_A = 25^\circ\text{C}$ and for $\pm 10\% V_{DD}$		± 0.5		%S
Thermal Sensitivity Drift	ΔT_S	Current range $I_{P_{MAX}}$		± 1	± 1.5	%S
Lifetime Sensitivity Drift	ΔL_S			± 1	± 2	%S
Output Noise Spectral Density	N_{SD}	$I_P = 0\text{ A}$, $T_A = 25^\circ\text{C}$ within $BW = 1 \dots 100\text{kHz}$		190		$\mu\text{A}/\sqrt{\text{Hz}}$
Output RMS Noise	N_{RMS}	$I_P = 0\text{ A}$, $T_A = 25^\circ\text{C}$ $BW = 300\text{kHz}$		129		mA_{RMS}
OCD _{INT} Threshold Current ⁽¹⁾	I_{OCD}			27.8		A
OCD _{INT} Accuracy ⁽¹⁾	ϵ_{IOCD}	$T_A = 25^\circ\text{C}$ $T_A = -40^\circ\text{C}$ to 85°C		7.5 11.5		%Threshold %Threshold
OCD _{EXT} threshold error ⁽¹⁾	ϵ_{EOCD}		-6		6	%FS

Table 14: MLX91220KDx-ABR-025 specifications

(1) For SOIC16 version

14.5. MLX91220KDx-ABF-025 Specifications

DC Operating Parameters at $V_{DD} = 5V$ (unless otherwise specified), for T_A as specified by the Temperature suffix (K) and for $T_J < 150\text{ }^\circ\text{C}$.

Parameter	Symbol	Test Conditions	Min	Typ	Max	Units
Primary current	I_{PM}	For $V_{DD} > 4.6\text{ V}$	-25		25	A
Nominal Supply Voltage	V_{DD}	For I such as $V_{OUT} < V_{DD} - 0.1\text{ V}$	4.5	5	5.5	V
Voltage Reference	V_{REF}	$T_A = 25^\circ\text{C}$. No resistive load on Vref pin	2.48	2.5	2.52	V
Thermal Reference Drift	ΔT_{VREF}	Variation versus 25°C			± 150	ppm/ $^\circ\text{C}$
Voltage Output Quiescent	V_{OQ}	No current flowing through I_P , $V_{OUT} - V_{REF}$, $T_A = 25^\circ\text{C}$ No resistive load on V_{OUT} and V_{REF}	-7.5 -94		7.5 94	mV mA
Ratiometry Offset Error	ΔR_{VOQ}	$T_A = 25^\circ\text{C}$ and for $\pm 10\% V_{DD}$	-5		5	mV
Thermal Offset Drift	ΔT_{VOQ}	Referred to $T_A = 25^\circ\text{C}$, $I_P = 0\text{ A}$		± 5 ± 63	± 7.5 ± 94	mV mA
Lifetime Offset Drift	ΔL_{VOQ}			± 2		mV
Sensitivity	S	At $T_A = 25^\circ\text{C}$ For $T_J < 50\text{ }^\circ\text{C}$	-1 79.2	80	1 80.8	%S mV/A
Ratiometry Sensitivity Error	ΔR_S	$T_A = 25^\circ\text{C}$ and for $\pm 10\% V_{DD}$	-0.6		0.6	%S
Thermal Sensitivity Drift	ΔT_S	Current range $I_{P_{MAX}}$		± 1	± 1.5	%S
Lifetime Sensitivity Drift	ΔL_S			± 1	± 2	%S
Output Noise Spectral Density	N_{SD}	$I_P = 0\text{ A}$, $T_A = 25^\circ\text{C}$ within $BW = 1 \dots 100\text{ kHz}$		190		$\mu\text{A}/\sqrt{\text{Hz}}$
Output RMS Noise	N_{RMS}	$I_P = 0\text{ A}$, $T_A = 25^\circ\text{C}$ $BW = 300\text{ kHz}$		129		mA_{RMS}
OCD _{INT} Threshold Current ⁽¹⁾	I_{OCD}			27.8		A
OCD _{INT} Accuracy ⁽¹⁾	ϵ_{IOCD}	$T_A = 25^\circ\text{C}$ $T_A = -40^\circ\text{C}$ to 85°C		7.5 11.5		%Threshold %Threshold
OCD _{EXT} threshold error ⁽¹⁾	ϵ_{EOCD}		-6		6	%FS

Table 15: MLX91220KDx-ABF-025 specifications

(1) For SOIC16 version

14.6. MLX91220KDx-ABR-030 Specifications

DC Operating Parameters at $V_{DD} = 5V$ (unless otherwise specified), for T_A as specified by the Temperature suffix (K) and for $T_J < 150\text{ }^\circ\text{C}$.

Parameter	Symbol	Test Conditions	Min	Typ	Max	Units
Primary current	I_{PM}		-30		30	A
Nominal Supply Voltage	V_{DD}		4.5	5	5.5	V
Voltage Output Quiescent	V_{OQ}	No current flowing through IP, $V_{OUT} = -V_{DD}/2$, $T_A = 25^\circ\text{C}$ No resistive load on V_{OUT} and V_{REF}	-7.5 -112		7.5 112	mV mA
Ratiometry Offset Error	ΔR_{VOQ}	$T_A = 25^\circ\text{C}$ and for $\pm 10\% V_{DD}$	-10		10	mV
Thermal Offset Drift	ΔT_{VOQ}	Referred to $T_A = 25^\circ\text{C}$, $I_P = 0A$		± 5 ± 75	± 7.5 ± 112	mV mA
Lifetime Offset Drift	ΔL_{VOQ}			± 2		mV
Sensitivity	S	At $T_A = 25^\circ\text{C}$ For $T_J < 50\text{ }^\circ\text{C}$	-1 66.0	66.7	1 67.4	%S mV/A
Ratiometry Sensitivity Error	ΔR_S	$T_A = 25^\circ\text{C}$ and for $\pm 10\% V_{DD}$		± 0.5		%S
Thermal Sensitivity Drift	ΔT_S	Current range $I_{P_{MAX}}$		± 1	± 1.5	%S
Lifetime Sensitivity Drift	ΔL_S			± 1	± 2	%S
Output Noise Spectral Density	N_{SD}	$I_P = 0A$, $T_A = 25^\circ\text{C}$ within $BW = 1 \dots 100\text{kHz}$		197		$\mu\text{A}/\sqrt{\text{Hz}}$
Output RMS Noise	N_{RMS}	$I_P = 0A$, $T_A = 25^\circ\text{C}$ $BW = 300\text{kHz}$		131		mA_{RMS}
OCD _{INT} Threshold Current ⁽¹⁾	I_{OCD}			33.7		A
OCD _{INT} Accuracy ⁽¹⁾	ϵ_{IOCD}	$T_A = 25^\circ\text{C}$ $T_A = -40^\circ\text{C}$ to 85°C		7 11		%Threshold %Threshold
OCD _{EXT} threshold error ⁽¹⁾	ϵ_{EOCD}		-6		6	%FS

Table 16: MLX91220KDx-ABR-030 specifications

(1) For SOIC16 version

14.7. MLX91220KDx-ABR-050 Specifications

DC Operating Parameters at $V_{DD} = 5V$ (unless otherwise specified), for T_A as specified by the Temperature suffix (K) and for $T_J < 150\text{ }^\circ\text{C}$.

Parameter	Symbol	Test Conditions	Min	Typ	Max	Units
Primary current	I_{PM}		-50		50	A
Nominal Supply Voltage	V_{DD}		4.5	5	5.5	V
Voltage Output Quiescent	V_{OQ}	No current flowing through IP, $V_{OUT} = -V_{DD}/2$, $T_A = 25^\circ\text{C}$ No resistive load on V_{OUT} and V_{REF}	-7.5 -188		7.5 188	mV mA
Ratiometry Offset Error	ΔR_{VOQ}	$T_A = 25^\circ\text{C}$ and for $\pm 10\% V_{DD}$	-10		10	mV
Thermal Offset Drift	ΔT_{VOQ}	Referred to $T_A = 25^\circ\text{C}$, $I_P = 0A$		± 5 ± 125	± 7.5 ± 188	mV mA
Lifetime Offset Drift	ΔL_{VOQ}			± 2		mV
Sensitivity	S	At $T_A = 25^\circ\text{C}$ For $T_J < 50\text{ }^\circ\text{C}$	-1 39.6	40	1 40.4	%S mV/A
Ratiometry Sensitivity Error	ΔR_S	$T_A = 25^\circ\text{C}$ and for $\pm 10\% V_{DD}$		± 0.5		%S
Thermal Sensitivity Drift	ΔT_S	Current range $I_{P_{MAX}}$		± 1	± 1.5	%S
Lifetime Sensitivity Drift	ΔL_S			± 1	± 2	%S
Output Noise Spectral Density	N_{SD}	$I_P = 0A$, $T_A = 25^\circ\text{C}$ within $BW = 1 \dots 100\text{kHz}$		186		$\mu\text{A}/\sqrt{\text{Hz}}$
Output RMS Noise	N_{RMS}	$I_P = 0A$, $T_A = 25^\circ\text{C}$ $BW = 300\text{kHz}$		126		mA_{RMS}
OCD _{INT} Threshold Current ⁽¹⁾	I_{OCD}			55.6		A
OCD _{INT} Accuracy ⁽¹⁾	ϵ_{IOCD}	$T_A = 25^\circ\text{C}$ $T_A = -40^\circ\text{C}$ to 85°C		4.2 6.2		%Threshold %Threshold
OCD _{EXT} threshold error ⁽¹⁾	ϵ_{EOCD}		-6		6	%FS

Table 17: MLX91220KDx-ABR-050 specifications

(1) For SOIC16 version

14.8. MLX91220KDx-ABF-050 Specifications

DC Operating Parameters at $V_{DD} = 5V$ (unless otherwise specified), for T_A as specified by the Temperature suffix (K) and for $T_J < 150\text{ }^\circ\text{C}$.

Parameter	Symbol	Test Conditions	Min	Typ	Max	Units
Primary current	I_{PM}	For $V_{DD} > 4.6\text{ V}$	-50		50	A
Nominal Supply Voltage	V_{DD}	For I such as $V_{OUT} < V_{DD} - 0.1\text{ V}$	4.5	5	5.5	V
Voltage Reference	V_{REF}	$T_A = 25^\circ\text{C}$. No resistive load on Vref pin	2.48	2.5	2.52	V
Thermal Reference Drift	ΔT_{VREF}	Variation versus 25°C			± 150	ppm/ $^\circ\text{C}$
Voltage Output Quiescent	V_{OQ}	No current flowing through I_P , $V_{OUT} - V_{REF}$, $T_A = 25^\circ\text{C}$ No resistive load on V_{OUT} and V_{REF}	-7.5 -188		7.5 188	mV mA
Ratiometry Offset Error	ΔR_{VOQ}	$T_A = 25^\circ\text{C}$ and for $\pm 10\% V_{DD}$	-5		5	mV
Thermal Offset Drift	ΔT_{VOQ}	Referred to $T_A = 25^\circ\text{C}$, $I_P = 0\text{ A}$		± 5 ± 125	± 7.5 ± 188	mV mA
Lifetime Offset Drift	ΔL_{VOQ}			± 2		mV
Sensitivity	S	At $T_A = 25^\circ\text{C}$ For $T_J < 50\text{ }^\circ\text{C}$	-1 39.6	40	1 40.4	%S mV/A
Ratiometry Sensitivity Error	ΔR_S	$T_A = 25^\circ\text{C}$ and for $\pm 10\% V_{DD}$	-0.6		0.6	%S
Thermal Sensitivity Drift	ΔT_S	Current range $I_{P_{MAX}}$		± 1	± 1.5	%S
Lifetime Sensitivity Drift	ΔL_S			± 1	± 2	%S
Output Noise Spectral Density	N_{SD}	$I_P = 0\text{ A}$, $T_A = 25^\circ\text{C}$ within $BW = 1 \dots 100\text{ kHz}$		186		$\mu\text{A}/\sqrt{\text{Hz}}$
Output RMS Noise	N_{RMS}	$I_P = 0\text{ A}$, $T_A = 25^\circ\text{C}$ $BW = 300\text{ kHz}$		126		mA_{RMS}
OCD _{INT} Threshold Current ⁽¹⁾	I_{OCD}			55.6		A
OCD _{INT} Accuracy ⁽¹⁾	ϵ_{IOCD}	$T_A = 25^\circ\text{C}$ $T_A = -40^\circ\text{C}$ to 85°C		4.2 6.2		%Threshold %Threshold
OCD _{EXT} threshold error ⁽¹⁾	ϵ_{EOCD}		-6		6	%FS

Table 18: MLX91220KDx-ABF-050 specifications

(1) For SOIC16 version

14.9. MLX91220KDx-AUF-050 Specifications

DC Operating Parameters at $V_{DD} = 5V$ (unless otherwise specified), for T_A as specified by the Temperature suffix (K) and for $T_J < 150\text{ }^\circ\text{C}$.

Parameter	Symbol	Test Conditions	Min	Typ	Max	Units
Primary current	I_{PM}	For $V_{DD} > 4.6\text{ V}$	0		50	A
Nominal Supply Voltage	V_{DD}	For I such as $V_{OUT} < V_{DD} - 0.1\text{ V}$	4.5	5	5.5	V
Voltage Reference	V_{REF}	$T_A = 25^\circ\text{C}$. No resistive load on Vref pin	0.495	0.5	0.505	V
Thermal Reference Drift	ΔT_{VREF}	Variation versus 25°C			± 250	ppm/ $^\circ\text{C}$
Voltage Output Quiescent	V_{OQ}	No current flowing through I_P , $V_{OUT} - V_{REF}$, $T_A = 25^\circ\text{C}$ No resistive load on V_{OUT} and V_{REF}	-7.5 -188		7.5 188	mV mA
Ratiometry Offset Error	ΔR_{VOQ}	$T_A = 25^\circ\text{C}$ and for $\pm 10\% V_{DD}$	-5		5	mV
Thermal Offset Drift	ΔT_{VOQ}	Referred to $T_A = 25^\circ\text{C}$, $I_P = 0\text{ A}$		± 5 ± 125	± 7.5 ± 188	mV mA
Lifetime Offset Drift	ΔL_{VOQ}			± 2		mV
Sensitivity	S	At $T_A = 25^\circ\text{C}$ For $T_J < 50\text{ }^\circ\text{C}$	-1 79.2	80	1 80.8	%S mV/A
Ratiometry Sensitivity Error	ΔR_S	$T_A = 25^\circ\text{C}$ and for $\pm 10\% V_{DD}$	-0.6		0.6	%S
Thermal Sensitivity Drift	ΔT_S	Current range $I_{P_{MAX}}$		± 1	± 1.5	%S
Lifetime Sensitivity Drift	ΔL_S			± 1	± 2	%S
Output Noise Spectral Density	N_{SD}	$I_P = 0\text{ A}$, $T_A = 25^\circ\text{C}$ within $BW = 1 \dots 100\text{ kHz}$		190		$\mu\text{A}/\sqrt{\text{Hz}}$
Output RMS Noise	N_{RMS}	$I_P = 0\text{ A}$, $T_A = 25^\circ\text{C}$ $BW = 300\text{ kHz}$		129		mA_{RMS}
OCD _{INT} Threshold Current ⁽¹⁾	I_{OCD}			55		A
OCD _{INT} Accuracy ⁽¹⁾	ϵ_{IOCD}	$T_A = 25^\circ\text{C}$ $T_A = -40^\circ\text{C}$ to 85°C		10 10		%Threshold %Threshold
OCD _{EXT} threshold error ⁽¹⁾	ϵ_{EOCD}		-3		3	%FS

Table 19: MLX91220KDx-AUF-050 specifications

(1) For SOIC16 version

14.10. MLX91220K Dx-ABR-075 Specifications

DC Operating Parameters at $V_{DD} = 5V$ (unless otherwise specified), for T_A as specified by the Temperature suffix (K) and for $T_j < 150\text{ }^\circ\text{C}$.

Parameter	Symbol	Test Conditions	Min	Typ	Max	Units
Primary current	I_{PM}		-75		75	A
Nominal Supply Voltage	V_{DD}		4.5	5	5.5	V
Voltage Output Quiescent	V_{OQ}	No current flowing through IP, $V_{OUT} = -V_{DD}/2$, $T_A = 25^\circ\text{C}$ No resistive load on V_{OUT} and V_{REF}	-7.5 -281		7.5 281	mV mA
Ratiometry Offset Error	ΔR_{VOQ}	$T_A = 25^\circ\text{C}$ and for $\pm 10\% V_{DD}$	-10		10	mV
Thermal Offset Drift	ΔT_{VOQ}	Referred to $T_A = 25^\circ\text{C}$, $I_P = 0A$		± 5 ± 187	± 7.5 ± 281	mV mA
Lifetime Offset Drift	ΔL_{VOQ}			± 2		mV
Sensitivity	S	At $T_A = 25^\circ\text{C}$ For $T_j < 50\text{ }^\circ\text{C}$	-1 26.4	26.7	1 27	%S mV/A
Ratiometry Sensitivity Error	ΔR_S	$T_A = 25^\circ\text{C}$ and for $\pm 10\% V_{DD}$		± 0.5		%S
Thermal Sensitivity Drift	ΔT_S	Current range $I_{P_{MAX}}$		± 1	± 1.5	%S
Sensitivity Drift over lifetime	ΔL_S			± 1	± 2	%S
Output Noise Spectral Density	N_{SD}	$I_P = 0A$, $T_A = 25^\circ\text{C}$ within $BW = 1 \dots 100\text{kHz}$		207		$\mu\text{A}/\sqrt{\text{Hz}}$
Output RMS Noise	N_{RMS}	$I_P = 0A$, $T_A = 25^\circ\text{C}$ $BW = 300\text{kHz}$		143		mA_{RMS}
OCD _{INT} Threshold Current ⁽¹⁾	I_{OCD}			83.4		A
OCD _{INT} Accuracy ⁽¹⁾	ϵ_{IOCD}	$T_A = 25^\circ\text{C}$ $T_A = -40^\circ\text{C}$ to 85°C		4 6		%Threshold %Threshold
OCD _{EXT} threshold error ⁽¹⁾	ϵ_{EOCD}		-6		6	%FS

Table 20: MLX91220K Dx-ABR-075 specifications

(1) For SOIC16 version

14.11. MLX91220K Dx-ABF-075 Specifications

DC Operating Parameters at $V_{DD} = 5V$ (unless otherwise specified), for T_A as specified by the Temperature suffix (K) and for $T_J < 150\text{ }^\circ\text{C}$.

Parameter	Symbol	Test Conditions	Min	Typ	Max	Units
Primary current	I_{PM}	For $V_{DD} > 4.6\text{ V}$	-75		75	A
Nominal Supply Voltage	V_{DD}	For I such as $V_{OUT} < V_{DD} - 0.1\text{ V}$	4.5	5	5.5	V
Voltage Reference	V_{REF}	$T_A = 25^\circ\text{C}$. No resistive load on Vref pin	2.48	2.5	2.52	V
Thermal Reference Drift	ΔT_{VREF}	Variation versus 25°C			± 150	ppm/ $^\circ\text{C}$
Voltage Output Quiescent	V_{OQ}	No current flowing through I_P , $V_{OUT} - V_{REF}$, $T_A = 25^\circ\text{C}$ No resistive load on V_{OUT} and V_{REF}	-7.5 -281		7.5 281	mV mA
Ratiometry Offset Error	ΔR_{VOQ}	$T_A = 25^\circ\text{C}$ and for $\pm 10\% V_{DD}$	-5		5	mV
Thermal Offset Drift	ΔT_{VOQ}	Referred to $T_A = 25^\circ\text{C}$, $I_P = 0\text{ A}$		± 5 ± 187	± 7.5 ± 281	mV mA
Lifetime Offset Drift	ΔL_{VOQ}			± 2		mV
Sensitivity	S	At $T_A = 25^\circ\text{C}$ For $T_J < 50\text{ }^\circ\text{C}$	-1 26.4	26.7	1 27	%S mV/A
Ratiometry Sensitivity Error	ΔR_S	$T_A = 25^\circ\text{C}$ and for $\pm 10\% V_{DD}$	-0.6		0.6	%S
Thermal Sensitivity Drift	ΔT_S	Current range $I_{P_{MAX}}$		± 1	± 1.5	%S
Lifetime Sensitivity Drift	ΔL_S			± 1	± 2	%S
Output Noise Spectral Density	N_{SD}	$I_P = 0\text{ A}$, $T_A = 25^\circ\text{C}$ within $BW = 1 \dots 100\text{ kHz}$		207		$\mu\text{A}/\sqrt{\text{Hz}}$
Output RMS Noise	N_{RMS}	$I_P = 0\text{ A}$, $T_A = 25^\circ\text{C}$ $BW = 300\text{ kHz}$		143		mA_{RMS}
OCD _{INT} Threshold Current ⁽¹⁾	I_{OCD}			83.4		A
OCD _{INT} Accuracy ⁽¹⁾	ϵ_{IOCD}	$T_A = 25^\circ\text{C}$ $T_A = -40^\circ\text{C}$ to 85°C		4 6		%Threshold %Threshold
OCD _{EXT} threshold error ⁽¹⁾	ϵ_{EOCD}		-6		6	%FS

Table 21: MLX91220K Dx-ABF-075 specifications

(1) For SOIC16 version

15. MLX91220 Overcurrent Detection

15.1. General

The MLX91220 provides two OCD features that allow detecting overcurrent applied on the integrated sensor primary. In case of OCD detection, the OCD_{INT} or OCD_{EXT} is pulled to ground. During normal operation the OCD voltage remains at V_{DD} . This OCD feature is available for SOIC16 version only.

The two OCD functions are able to react to an overcurrent event within few us of response time. To avoid false alarm, the overcurrent has to be maintained at least $1\mu s$ for the detection to occur. After detection by the sensor the output flag is maintained for $10\mu s$ of dwell time. This allows the overcurrent to be easily detected at microcontroller level. More information can be found in Application Note AN91220_OverCurrentDetection on www.melexis.com

The following table offers a comparison between OCD_{INT} and OCD_{EXT} :

	OCD_{INT}		OCD_{EXT}	
	Min	Max	Min	Max
Typical Application	Short-circuit detection		Out-of-range detection	
Overcurrent effect	OCD_{INT} pin to V_{SS}		OCD_{EXT} pin to V_{SS}	
Detection mode	Bidirectional		Unidirectional / bidirectional	
Accuracy	Lower		Higher	
Threshold trimming	EEPROM		Voltage divider on VOC_{EXT}	
Response time	$1.4\mu s$	$2.1\mu s$	$10\mu s$ typical	
Required Input holding time	$0.5\mu s$		$10\mu s$ minimum	
OCD output dwell time	$7\mu s$	$14\mu s$	$10\mu s$ typical	

Table 22: Comparison between OCD_{INT} and OCD_{EXT} performances

15.2. Electrical Specifications

DC Operating Parameters at $V_{DD} = 5V$ (unless otherwise specified) and for T_A as specified by the Temperature suffix (K).

Parameter	Symbol	Test Conditions	Min	Typ	Max	Units
OCD_INT Internal ON Resistance	$R_{ON_OCD_INT}$	$I_{SINK} = 1 \text{ mA}$	60	90	150	Ω
OCD_EXT Internal ON Resistance	$R_{ON_OCD_EXT}$	$I_{SINK} = 1 \text{ mA}$	160	190	280	Ω
VOC_EXT Voltage Range ⁽¹⁾	VOC_EXT	$V_{DD} = 5V / V_{REF} = 2.5V$	0.3		2	V
		$V_{DD} = 5V / V_{REF} = 0.5V$	3		4.7	V

Table 23: OCD_{INT} and OCD_{EXT} electrical specifications

15.3. Internal Overcurrent Detection Principle

The internal OCD takes fixed threshold voltage values predefined in the EEPROM and do not require any extra components. The OCD_{INT} implementation allows detecting overcurrent outside of the output measurement range of the sensor and is therefore suitable for large current peaks as occurring during short-circuit. If the theoretical sensor output overcomes the OCD_{INT} voltage threshold, the overcurrent event is flagged on OCD_{INT} pin. The default OCD threshold voltages are defined as follow, but other values can be set on request. The overcurrent threshold in ampere is deduced from the sensitivity of the sensor [mV/A] and the OCD_{INT} threshold voltage.

	Sensor configuration	Min.	Max.
OCD_{INT} Threshold [% FS]	$V_{DD} = 5V / V_{REF} = 2.5V$	24.4	220
	$V_{DD} = 5V / V_{REF} = 0.5V$	12.2	110

Table 24: OCD_{INT} factory programmable range

- (1) VOC_{ext} defines the OCD_{ext} threshold. In case of a ratiometric device, VOC_{ext} should change with V_{DD} to avoid additional errors.

Sensor reference	Sensitivity [mV/A]	OCD _{INT} Threshold Current [% FS]	OCD _{INT} Threshold Current [A]
MLX91220KDF-ABF-117	120	87.1	14.8
MLX91220KDF-ABx-020	100	111.2	22.2
MLX91220KDx-ABx-025	80	111.2	27.8
MLX91220KDx-ABx-050	40	111.2	55.6
MLX91220KDx-AUF-050	80	110	55
MLX91220KDC-ABR-030	66	112.3	33.7
MLX91220KDF-ABF-075	26.7	111.2	83.4

Table 25: OCD_{INT} threshold currents for SOIC-16 versions

15.4. External Overcurrent Detection Principle

The external OCD uses the voltage applied on VOC_{EXT} pin as threshold voltage. This translates into an overcurrent threshold in ampere depending on the sensitivity of the sensor. A voltage divider on VOC_{EXT} allows defining the threshold voltage in a custom way. Depending on the voltage divider configuration, the OCD_{EXT} can be used either in bidirectional or unidirectional mode. The External OCD threshold is defined within the measurement range of the sensor output. This feature is then suitable for out-of-range detection where the OCD threshold remains close to the nominal current. It offers a better accuracy than OCD_{INT} but the response is slower. The below table presents the unidirectional and bidirectional external OCD configurations. Please refer to section 13.1 and 13.3 for more details about the application diagram and the recommended resistances.

Bidirectional configuration	Unidirectional configuration
$VOC_{EXT} = V_{REF} * \frac{R_{ext_{bi}}}{R_{ext} + R_{ext_{bi}}}$ $VLocd = VOC_{EXT}$ $VHocd = 2 * V_{REF} - VLocd$	$VOC_{EXT} = V_{REF} + (V_{DD} - V_{REF}) * \frac{R_{ext}}{R_{ext} + R_{ext_{uni}}}$ $VHocd = VOC_{EXT}$

Table 26: External OCD, bidirectional and unidirectional configurations

16. Recommended Application Diagrams

16.1. Resistor and Capacitor Values

Part	Description	Value	Unit
C ₁	Supply capacitor, EMI, ESD	47	nF
C ₂	Decoupling, EMI, ESD	47	nF
C ₃	Decoupling, EMI, ESD	4.7	nF
R _{EXT} + R _{EXT_BI} / R _{EXT_UNI}	External OCD Resistor	~200 ⁽¹⁾	kΩ
R _{EXT_BI} or R _{EXT_UNI}	External OCD Resistor	custom	-
R ₅	Pull-down resistance	>10	kΩ

Table 27: Resistor and Capacitor Values for Recommended Application Diagrams

(1) High impedance needed due to the current source/sink limitation of the V_{REF} pin.

16.2. SOIC8 Application Diagram

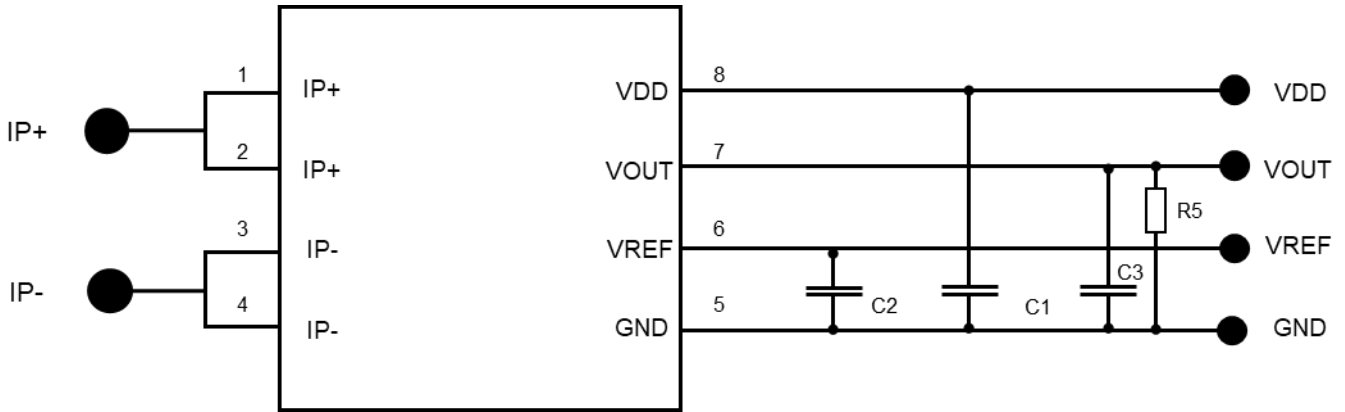


Figure 6: Recommended wiring for the MLX91220 in SOIC-8 package

16.3. SOIC16 Application Diagram

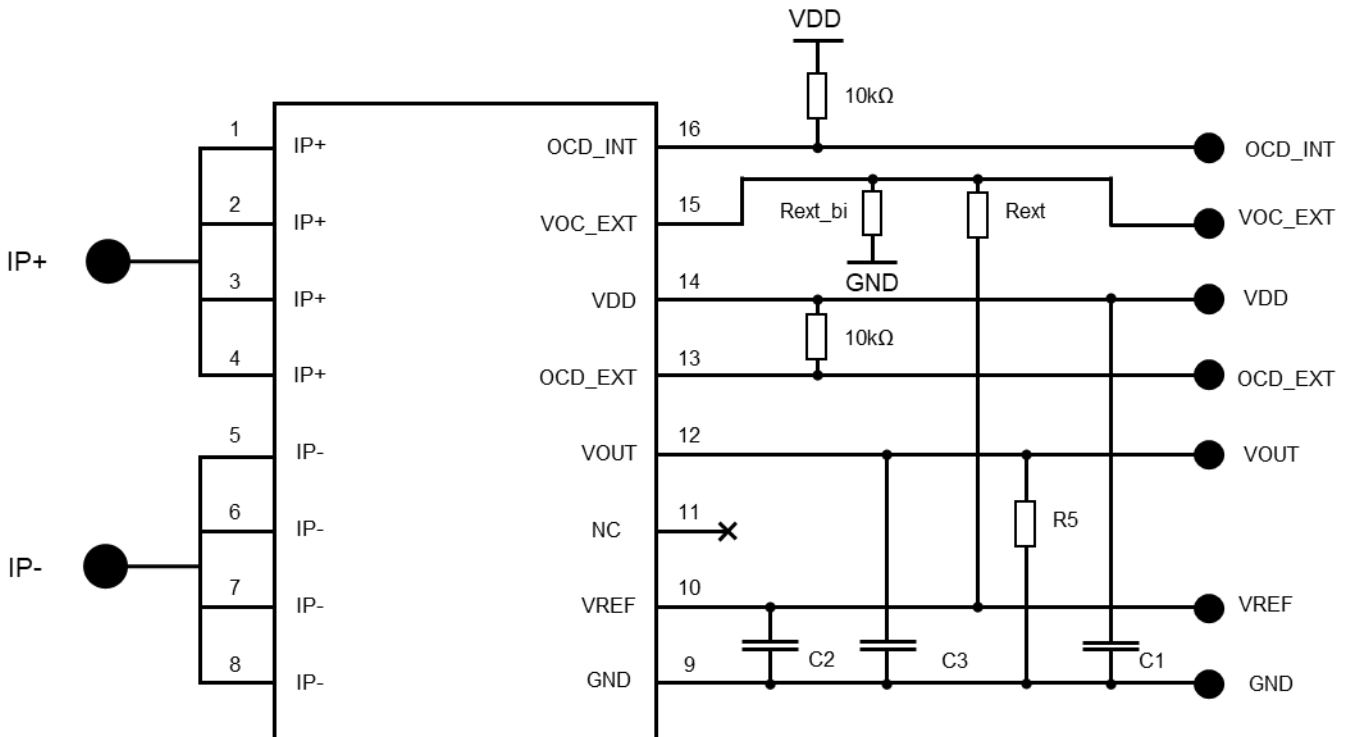


Figure 7: Recommended wiring for the MLX91220 with Bidirectional External OCD

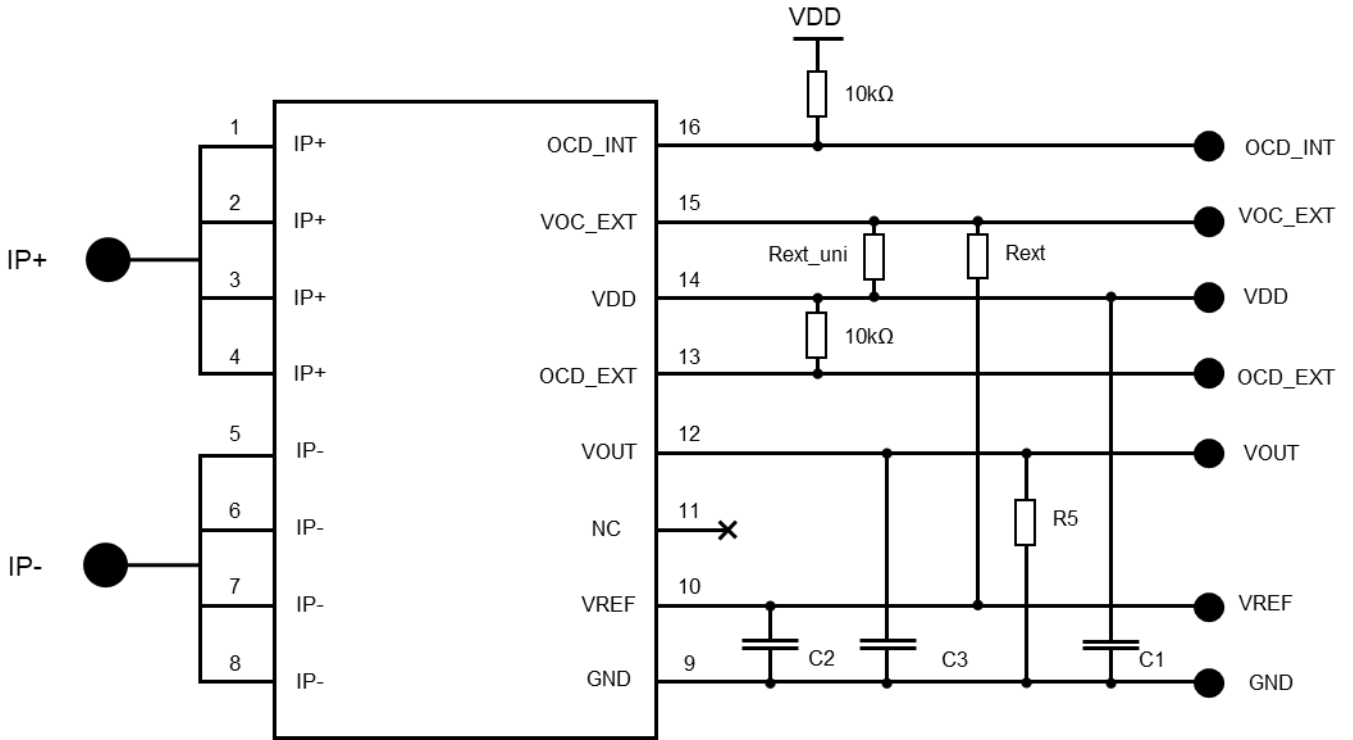


Figure 8: Recommended wiring for the MLX91220 with Unidirectional External OCD

16.3.1. OCD functions not used

In case of OCD functions are not needed (internal or external), OCD pins can be connected to GND. Moreover, when OCD_ext is not needed, VOC_ext pin should be connected to GND. Figure 9 shows the wiring when both OCD functions are not needed.

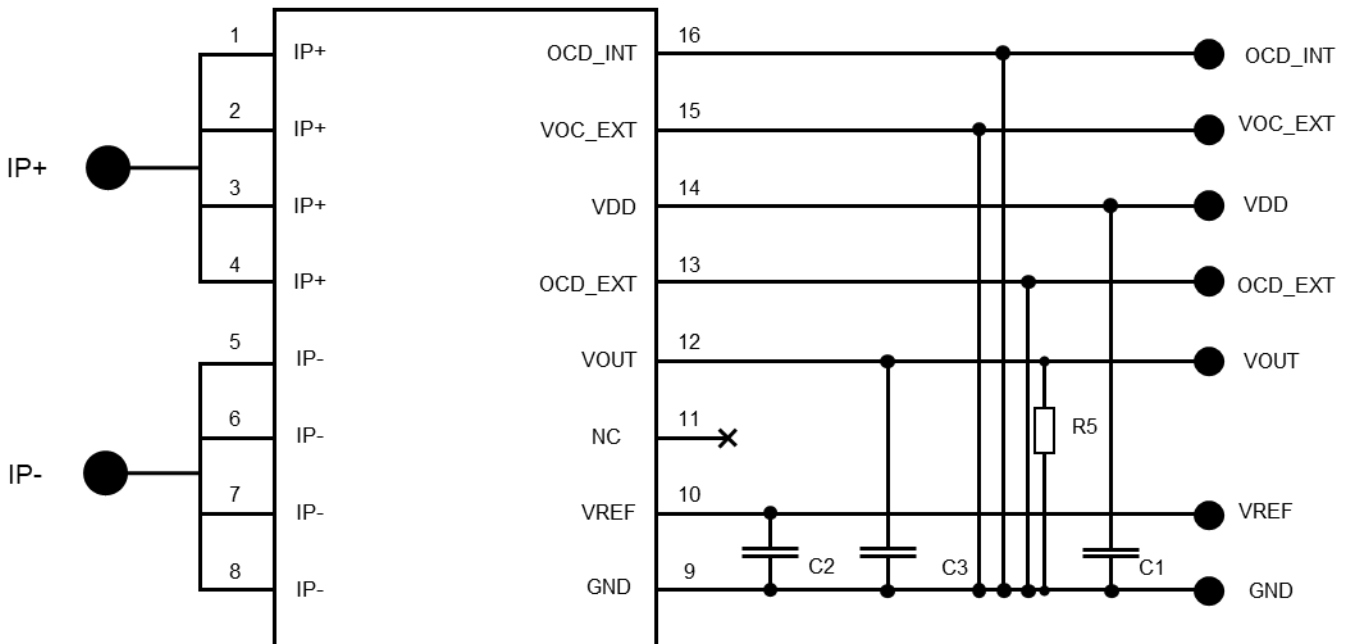


Figure 9 : example of wiring in case of both OCD functions not needed

17. Standard information regarding manufacturability with different soldering processes

Our products are classified and qualified regarding soldering technology, solderability and moisture sensitivity level according to following test methods:

Reflow Soldering SMD's (Surface Mount Devices)

- IPC/JEDEC J-STD-020
Moisture/Reflow Sensitivity Classification for Nonhermetic Solid State Surface Mount Devices (classification reflow profiles according to table 5-2)
- EIA/JEDEC JESD22-A113
Preconditioning of Nonhermetic Surface Mount Devices Prior to Reliability Testing (reflow profiles according to table 2)

Wave Soldering SMD's (Surface Mount Devices) and THD's (Through Hole Devices)

- EN60749-20
Resistance of plastic- encapsulated SMD's to combined effect of moisture and soldering heat
- EIA/JEDEC JESD22-B106 and EN60749-15
Resistance to soldering temperature for through-hole mounted devices

Iron Soldering THD's (Through Hole Devices)

- EN60749-15
Resistance to soldering temperature for through-hole mounted devices

Solderability SMD's (Surface Mount Devices) and THD's (Through Hole Devices)

- EIA/JEDEC JESD22-B102 and EN60749-21
Solderability

For all soldering technologies deviating from above mentioned standard conditions (regarding peak temperature, temperature gradient, temperature profile etc) additional classification and qualification tests have to be agreed upon with Melexis.

The application of Wave Soldering for SMD's is allowed only after consulting Melexis regarding assurance of adhesive strength between device and board.

Melexis recommends reviewing on our web site the General Guidelines soldering recommendation (<https://www.melexis.com/en/quality-environment/soldering>).

Melexis is contributing to global environmental conservation by promoting **lead free** solutions. For more information on qualifications of **RoHS** compliant products (RoHS = European directive on the Restriction Of the use of certain Hazardous Substances) please visit the quality page on our website (<https://www.melexis.com/en/quality-environment>).

18. ESD Precautions

Electronic semiconductor products are sensitive to Electro Static Discharge (ESD).

Always observe Electro Static Discharge control procedures whenever handling semiconductor products.



Parameter	Symbol	Test Method	Value	Unit
Human Body ESD Protection	ESD_{HBM}	AEC-Q100-002 Rev D	2	kV
Charged Device Model ESD Protection	ESD_{CDM}	AEC-Q100-011 Rev B	500	V

Table 28: Electrostatic Discharge Ratings

19. Package Information

19.1. SOIC-8 150mils- Package Dimensions

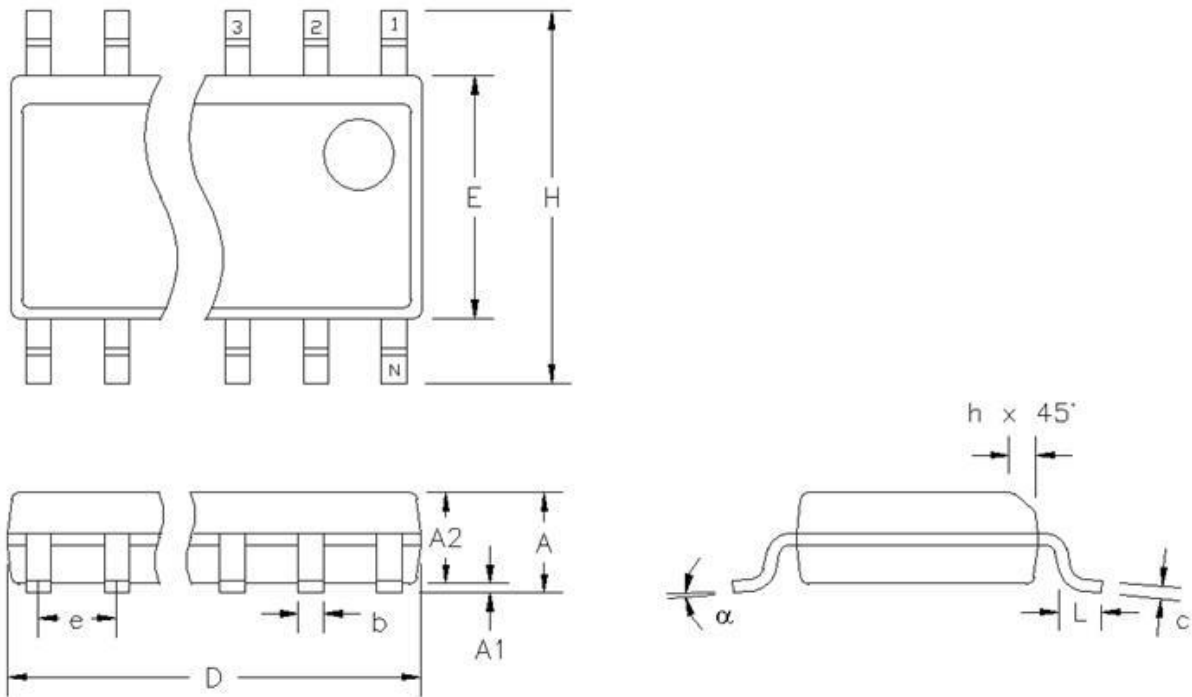


Figure 10 : SOIC8 Package Dimensions

[mm]	A	A1	A2	D	E	H	L	b	c	e	h	⊘
min	1.52	0.10	1.37	4.80	3.81	5.80	0.41	0.35	0.19	1.27 BSC	0.25	0°
max	1.73	0.25	1.57	4.98	3.99	6.20	1.27	0.49	0.25		0.50	8°

[inch]	A	A1	A2	D	E	H	L	b	c	e	h	⊘
min	.060	.004	.054	.189	.150	.228	.016	.014	.008	.050 BSC	.010	0°
max	.068	.010	.062	.196	.157	.244	.050	.019	.010		.020	8°

Table 29: SOIC8 package dimensions in millimeters and inches

19.2. SOIC-16 300mils- Package Dimensions

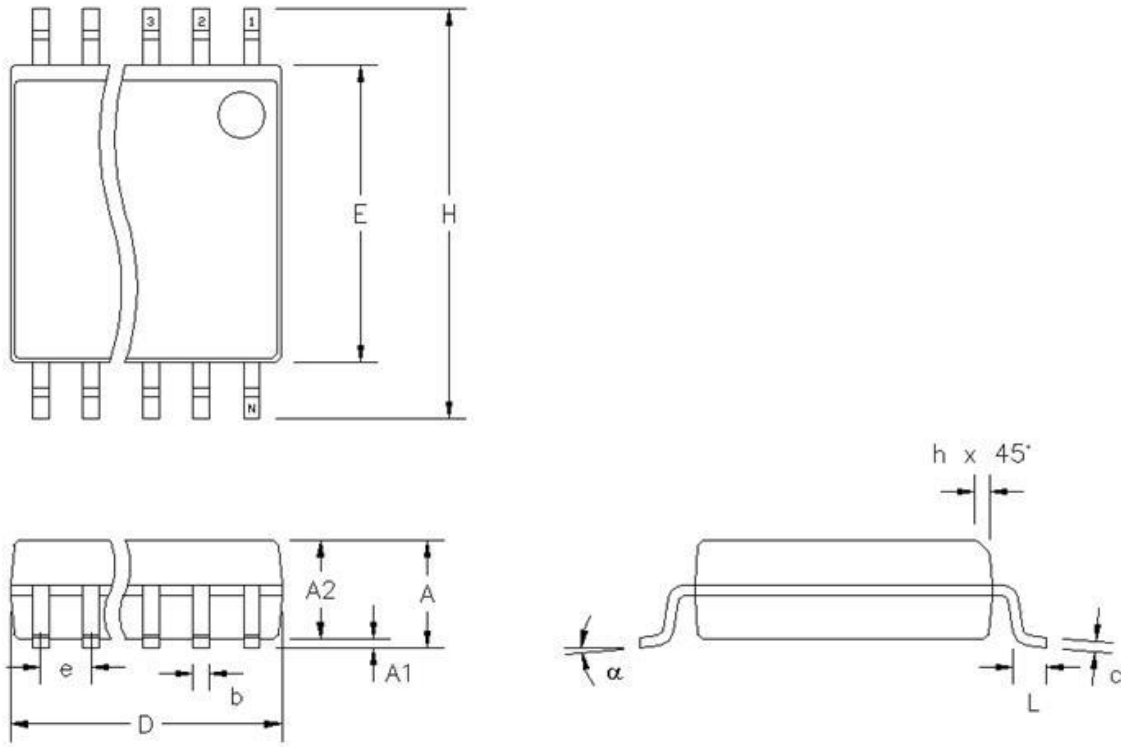


Figure 11: SOIC16 Package Dimensions

[mm]	A	A1	A2	D	E	H	L	b	c	e	h	⊘
min	2.44	0.10	2.24	10.11	7.40	10.11	0.51	0.35	0.23	1.27 BSC	0.25	0°
max	2.64	0.30	2.44	10.46	7.60	10.51	1.02	0.48	0.32		0.71	8°

[inch]	A	A1	A2	D	E	H	L	b	c	e	h	⊘
min	.096	.004	.088	.398	.291	.398	.020	.014	.009	.050	.010	0°
max	.104	.012	.096	.412	.299	.414	.040	.019	.013	BSC	.028	8°

Table 30: SOIC16 package dimensions in millimeters and inches

21. Disclaimer

The content of this document is believed to be correct and accurate. However, the content of this document is furnished "as is" for informational use only and no representation, nor warranty is provided by Melexis about its accuracy, nor about the results of its implementation. Melexis assumes no responsibility or liability for any errors or inaccuracies that may appear in this document. Customer will follow the practices contained in this document under its sole responsibility. This documentation is in fact provided without warranty, term, or condition of any kind, either implied or expressed, including but not limited to warranties of merchantability, satisfactory quality, non-infringement, and fitness for purpose. Melexis, its employees and agents and its affiliates' and their employees and agents will not be responsible for any loss, however arising, from the use of, or reliance on this document. Notwithstanding the foregoing, contractual obligations expressly undertaken in writing by Melexis prevail over this disclaimer.

This document is subject to change without notice, and should not be construed as a commitment by Melexis. Therefore, before placing orders or prior to designing the product into a system, users or any third party should obtain the latest version of the relevant information. Users or any third party must determine the suitability of the product described in this document for its application, including the level of reliability required and determine whether it is fit for a particular purpose.

This document as well as the product here described may be subject to export control regulations. Be aware that export might require a prior authorization from competent authorities. The product is not designed, authorized or warranted to be suitable in applications requiring extended temperature range and/or unusual environmental requirements. High reliability applications, such as medical life-support or life-sustaining equipment or avionics application are specifically excluded by Melexis. The product may not be used for the following applications subject to export control regulations: the development, production, processing, operation, maintenance, storage, recognition or proliferation of:

- 1. chemical, biological or nuclear weapons, or for the development, production, maintenance or storage of missiles for such weapons;*
- 2. civil firearms, including spare parts or ammunition for such arms;*
- 3. defense related products, or other material for military use or for law enforcement;*
- 4. any applications that, alone or in combination with other goods, substances or organisms could cause serious harm to persons or goods and that can be used as a means of violence in an armed conflict or any similar violent situation.*

No license nor any other right or interest is granted to any of Melexis' or third party's intellectual property rights.

If this document is marked "restricted" or with similar words, or if in any case the content of this document is to be reasonably understood as being confidential, the recipient of this document shall not communicate, nor disclose to any third party, any part of the document without Melexis' express written consent. The recipient shall take all necessary measures to apply and preserve the confidential character of the document. In particular, the recipient shall (i) hold document in confidence with at least the same degree of care by which it maintains the confidentiality of its own proprietary and confidential information, but no less than reasonable care; (ii) restrict the disclosure of the document solely to its employees, agents, professional advisors and contractors for the purpose for which this document was received, on a strictly need to know basis and providing that such persons to whom the document is disclosed are bound by confidentiality terms substantially similar to those in this disclaimer; (iii) use the document only in connection with the purpose for which this document was received, and reproduce document only to the extent necessary for such purposes; (iv) not use the document for commercial purposes or to the detriment of Melexis or its customers. The confidentiality obligations set forth in this disclaimer will have indefinite duration and in any case they will be effective for no less than 10 years from the receipt of this document.

This disclaimer will be governed by and construed in accordance with Belgian law and any disputes relating to this disclaimer will be subject to the exclusive jurisdiction of the courts of Brussels, Belgium.

The invalidity or ineffectiveness of any of the provisions of this disclaimer does not affect the validity or effectiveness of the other provisions. The previous versions of this document are repealed.



Melexis © - No part of this document may be reproduced without the prior written consent of Melexis. (2024)

IATF 16949 and ISO 14001 Certified







For the latest version of this document or find your local contact, visit us at
<https://www.melexis.com/en/product/MLX91220>

Looking for pricing, stock, or lifecycle information?

Click below to explore more details on WIN SOURCE:

-  [View MLX91220KDC-ABR-050-RE on WIN SOURCE](#)
-  [Melexis Technologies NV Information](#)

Optimize Your Supply Chain with WIN SOURCE Solutions

-  Global Sourcing Solution
-  Obsolete Management
-  Cost Control Management
-  Shortage Management
-  Alternative Solution
-  Excess Inventory Management