



**THE DATASHEET OF  
PTS525SK15SMTR2LFS**



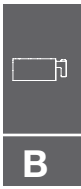
# PTS525 Series Microminiature Tact Switch for SMT

## Features/Benefits

- 0.8 & 1.5 mm actuator height
- Ruggedized package in a compact size
- High number of cycles

## Typical Applications

- Consumer products
- Instrumentation
- Remote controls



Tactile Switches

## Specification

FUNCTION: Momentary action  
CONTACT ARRANGEMENT: 1 make contact = SPST, N.O.

## Electrical

MAXIMUM VOLTAGE: 15 VDC  
MAXIMUM CURRENT DC: 20 mA  
DIELECTRIC STRENGTH: 250 VA C (1mn)  
CONTACT RESISTANCE: ≤ 100 mΩ  
INSULATION RESISTANCE: ≥ 100 MΩ  
BOUNCE TIME: ≤ 10 ms

## Environmental

OPERATING TEMPERATURE: -20°C to 70°C

## Process

SOLDERING: This component is suited to the following methods:  
Infrared Reflow Soldering in accordance with IEC61760-1

## Packaging

Switches in reels of:  
5,000 pieces in 0.8 mm height  
4,000 pieces in 1.5 mm height  
Dimensions of reels according to EIA 481B  
External diameter 330 mm

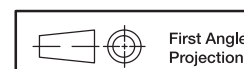
## NOTE:

- Specifications listed above are for switches with standard options. For information on specific and custom switches, consult Customer Service Center.
- **The PTS series is not certified for using in Automotive application and no PPAP. However, in the case of some automotive accessories and specific applications for 2 and 3 wheeled vehicles the PTS is widely used and very suitable. Please contact your local C&K representative to discuss your application and the best switch solution.**

## How To Order

Please see chart below for full part numbers.

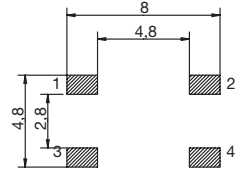
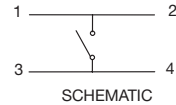
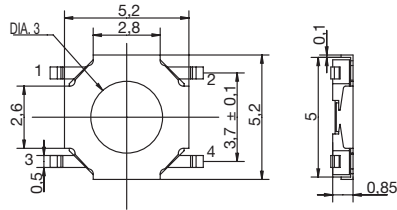
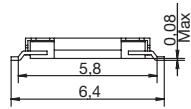
Part Number	Height (mm)	Leads Shape	Ground Pin	Force	Travel (mm)	Operating Life
PTS525 SM08 SMTR 2 LFS	0.8	G	No	160 gf ± 50 gf	0.25 ± 0.2	1,000,000
PTS525 SK08 SMTR 2 LFS	0.8	G	No	260 gf ± 50 gf	0.25 ± 0.2	200,000
PTS525 SM15 SMTR 2 LFS	1.5	G	No	160 gf ± 50 gf	0.25 ± 0.2	1,000,000
PTS525 SK15 SMTR 2 LFS	1.5	G	No	260 gf ± 50 gf	0.25 ± 0.2	500,000
PTS525 SMG15 SMTR 2 LFS	1.5	G	Yes	160 gf ± 50 gf	0.25 ± 0.2	1,000,000
PTS525 SKG15 SMTR 2 LFS	1.5	G	Yes	260 gf ± 50 gf	0.25 ± 0.2	500,000
PTS525 SMG15J SMTR 2 LFS	1.5	J	Yes	160 gf ± 50 gf	0.25 ± 0.2	1,000,000
PTS525 SKG15J SMTR 2 LFS	1.5	J	Yes	260 gf ± 50 gf	0.25 ± 0.2	500,000



# PTS525 Series Microminiature Tact Switch for SMT

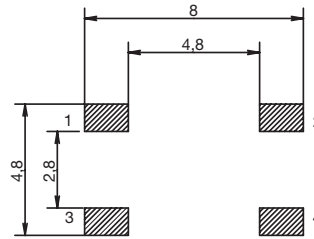
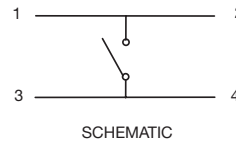
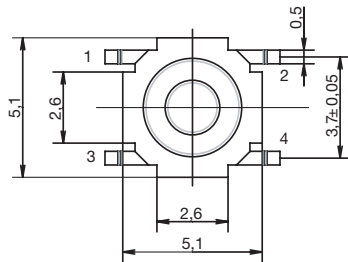
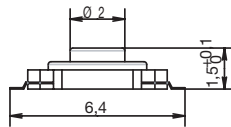
Tactile Switches

**PTS525 SM08 SMTR2 LFS**  
**PTS525 SK08 SMTR2 LFS**



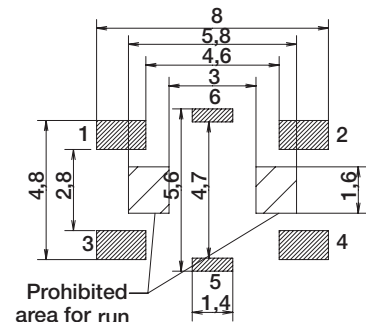
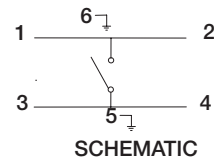
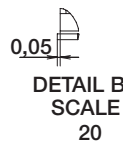
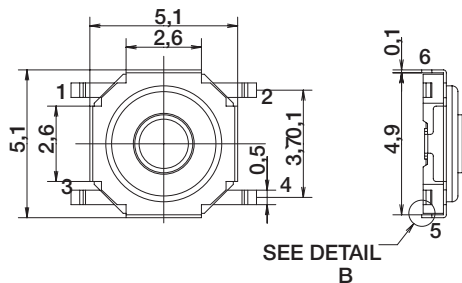
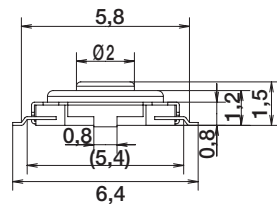
RECOMMENDED PCB LAYOUT

**PTS525 SM15 SMTR2 LFS**  
**PTS525 SK15 SMTR2 LFS**



RECOMMENDED PCB LAYOUT

**PTS525 SMG15 SMTR2 LFS**  
**PTS525 SKG15 SMTR2 LFS**

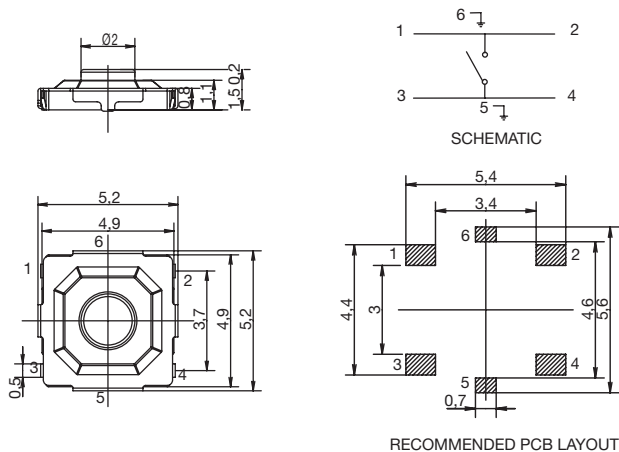


RECOMMENDED PCB LAYOUT



# PTS525 Series Microminiature Tact Switch for SMT

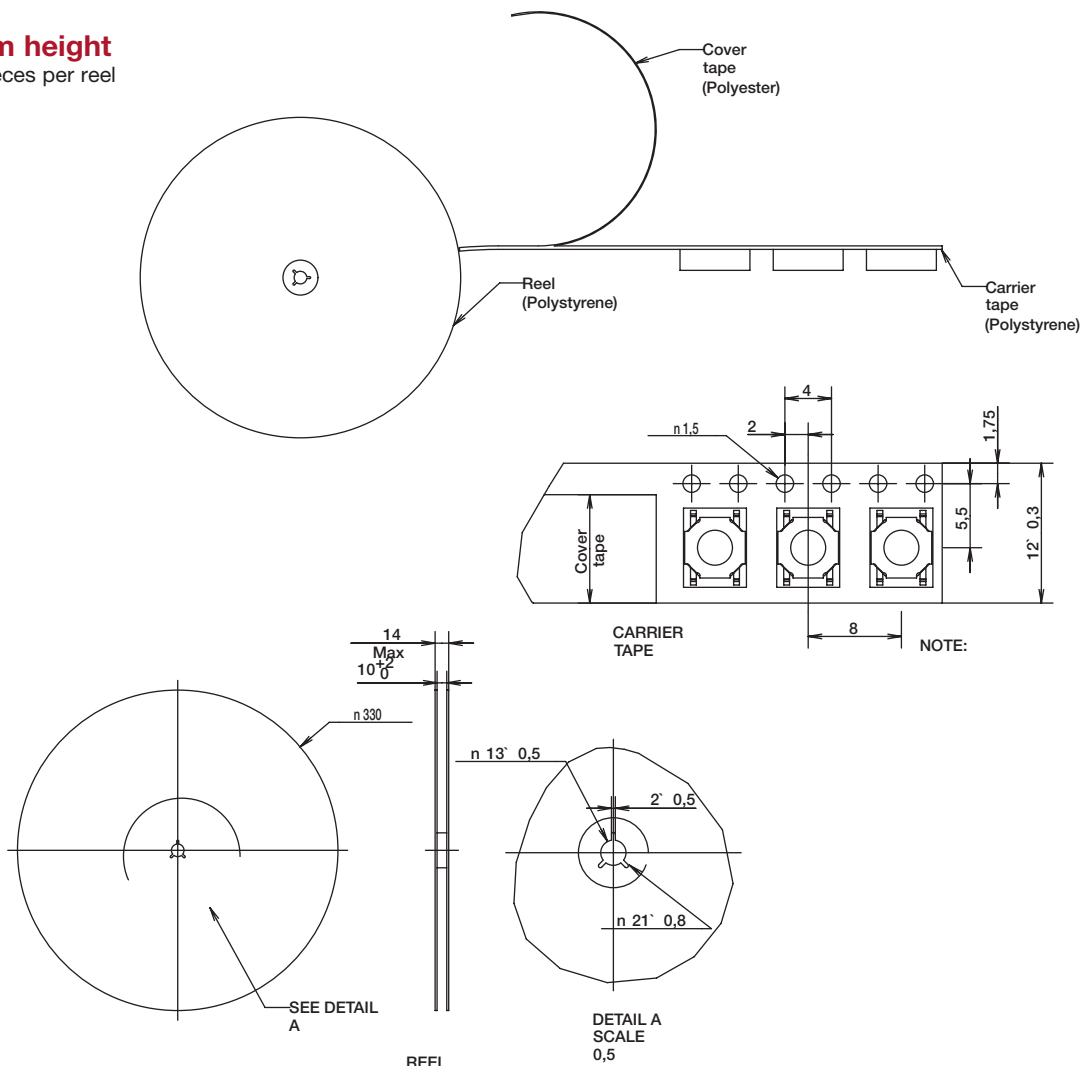
**PTS525 SMG15J SMTR2 LFS**  
**PTS525 SKG15J SMTR2 LFS**



B Tactile Switches

## TAPE & REEL

**0.8 mm height**  
5,000 pieces per reel



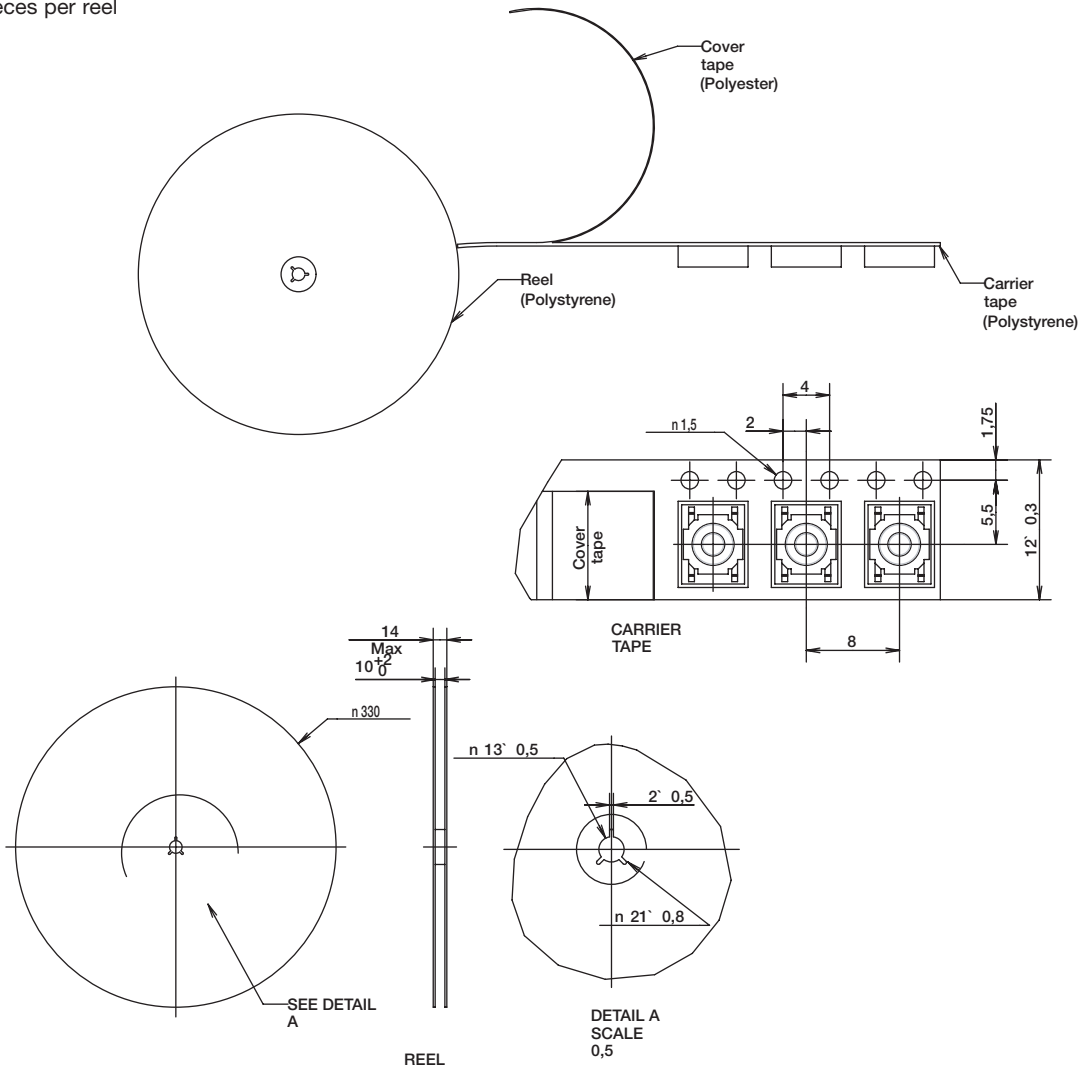
# PTS525 Series Microminiature Tact Switch for SMT

## TAPE & REEL

**1.5 mm height**  
4,000 pieces per reel

Tactile Switches

B



## Looking for pricing, stock, or lifecycle information?

Click below to explore more details on WIN SOURCE:

- ⊖ [View PTS525SK15SMTR2LFS on WIN SOURCE](#)
- ⊖ [C&K Components Information](#)

## Optimize Your Supply Chain with WIN SOURCE Solutions

- ✓ Global Sourcing Solution
- ✓ Obsolete Management
- ✓ Cost Control Management
- ✓ Shortage Management
- ✓ Alternative Solution
- ✓ Excess Inventory Management