



THE DATASHEET OF SM2001

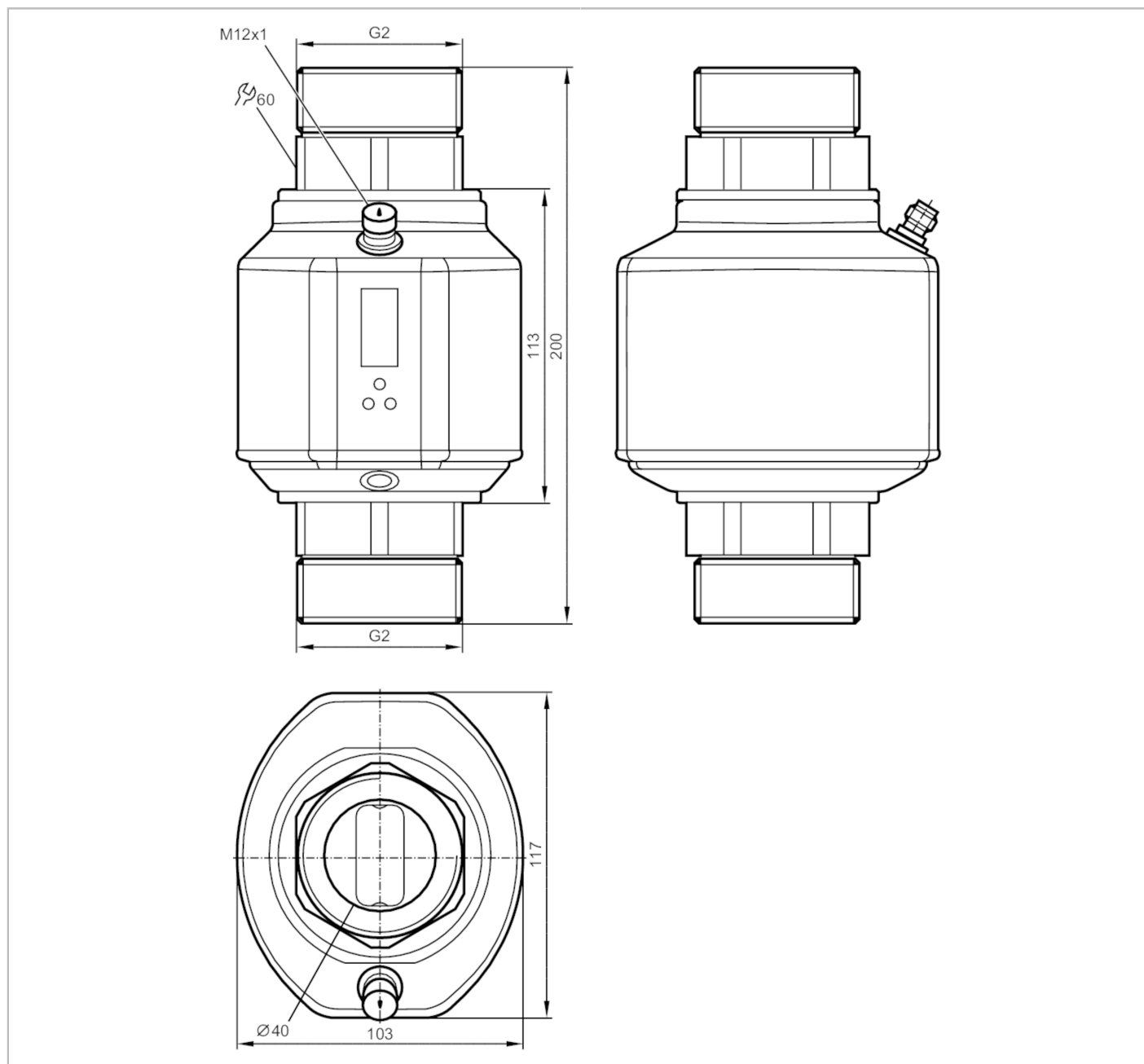


SM2001



Magnetic-inductive flow meter

SMR21XGXFRKG/US



Product characteristics	
Number of inputs and outputs	Number of digital outputs: 2; Number of analogue outputs: 1
Measuring range	80...9600 gph 1.3...160 gpm
Process connection	threaded connection G 2 external thread DN50 flat seal
Application	
Special feature	Gold-plated contacts
Application	totaliser function; empty pipe detection; for industrial applications
Installation	connection to pipe by means of an adapter
Media	conductive liquids; water; hydrous media

SM2001



Magnetic-inductive flow meter

SMR21XGXFRKG/US

Note on media		conductivity: $\geq 20 \mu\text{S/cm}$
		viscosity: $< 70 \text{ mm}^2/\text{s}$ (40 °C)
Medium temperature	[°F]	14...176
Pressure rating	[bar]	16
Pressure rating	[psi]	232
MAWP (for applications according to CRN)	[bar]	16

Electrical data

Operating voltage	[V]	18...32 DC; (to SELV/PELV)
Current consumption	[mA]	< 150
Protection class		III
Reverse polarity protection		yes
Power-on delay time	[s]	5

Inputs / outputs

Number of inputs and outputs	Number of digital outputs: 2; Number of analogue outputs: 1
------------------------------	---

Inputs

Inputs	counter reset
--------	---------------

Outputs

Total number of outputs		2
Output signal		switching signal; analogue signal; pulse signal; frequency signal; IO-Link; (configurable)
Electrical design		PNP/NPN
Number of digital outputs		2
Output function		normally open / normally closed; (parameterisable)
Max. voltage drop switching output DC	[V]	2
Permanent current rating of switching output DC	[mA]	250; (per output)
Number of analogue outputs		1
Analogue current output	[mA]	4...20; (scalable)
Max. load	[Ω]	500
Analogue voltage output	[V]	0...10; (scalable)
Min. load resistance	[Ω]	2000
Pulse output		flow rate meter
Short-circuit protection		yes
Type of short-circuit protection		pulsed
Overload protection		yes
Frequency of the output	[Hz]	0.1...10000

Measuring/setting range

Measuring range	80...9600 gph	1.3...160 gpm
Display range	-11520...11520 gph	-190...190 gpm
Resolution	5 gph	0.1 gpm
Set point SP	130...9600 gph	2.1...160 gpm
Reset point rP	80...9550 gph	1.3...159.2 gpm
Analogue start point ASP	0...7680 gph	0...128 gpm
Analogue end point AEP	1920...9600 gph	32...160 gpm

SM2001



Magnetic-inductive flow meter

SMR21XGXFRKG/US

Low flow cut-off LFC	< 240 gph	< 4 gpm
In steps of	5 gph	0.1 gpm
Measuring dynamics	1:120	
Volumetric flow quantity monitoring		
Pulse value	0.02...160 E06 gal	
In steps of	0.02 gal	
Pulse length [s]	0,008...2	
Temperature monitoring		
Measuring range [°F]	-4...176	
Display range [°F]	-40...212	
Resolution [°F]	0.5	
Set point SP [°F]	-2...176	
Reset point rP [°F]	-3...175	
Analogue start point [°F]	-4...140	
Analogue end point [°F]	32...176	
In steps of [°F]	0.5	

Accuracy / deviations

Flow monitoring		
Accuracy (in the measuring range)	± (0,8 % MW + 0,5 % MEW)	
Repeatability	± 0,2% MEW	
Temperature monitoring		
Temperature drift	± 0,0185 °F / K	
Accuracy [K]	± 1 (77 °F; Q > 4 gpm)	

Response times

Flow monitoring		
Response time [s]	0.35; (dAP = 0)	
Delay time programmable dS, dr [s]	0...50	
Damping process value dAP [s]	0...5	
Temperature monitoring		
Dynamic response T05 / T09 [s]	T09 = 3 (Q > 4 gpm)	

Software / programming

Parameter setting options	Flow monitoring; quantity meter; Preset counter; Temperature monitoring; hysteresis / window; normally open / normally closed; switching logic; current/voltage/frequency/pulse output; start-up delay; display can be deactivated; Display unit; empty pipe detection
---------------------------	--

Interfaces

Communication interface	IO-Link
Transmission type	COM2 (38,4 kBaud)
IO-Link revision	1.1
SDCI standard	IEC 61131-9 CDV
Profiles	Smart Sensor: Process Data Variable; Device Identification
SIO mode	yes
Required master port type	A

SM2001



Magnetic-inductive flow meter

SMR21XGXFRKG/US

Process data analogue		3
Process data binary		2
Min. process cycle time [ms]		5
Supported DeviceIDs	Type of operation	DeviceID
	default	390

Operating conditions		
Ambient temperature [°F]		14...140
Storage temperature [°F]		-13...176
Protection		IP 65; IP 67

Tests / approvals		
EMC	DIN EN 60947-5-9	
Shock resistance	DIN EN 60068-2-27	20 g (11 ms)
Vibration resistance	DIN EN 60068-2-6	5 g (10...2000 Hz)
MTTF [years]		85
UL approval	UL Approval no.	I008
	File number UL	E174189
Pressure Equipment Directive	Sound engineering practice; can be used for group 2 fluids; group 1 fluids on request	

Mechanical data		
Weight [g]		3069.2
Dimensions [mm]		117 x 103 x 200
Materials	stainless steel (316L/1.4404); stainless steel (316Ti/1.4571); PEI; FKM; PBT-GF20; TPE-U	
Materials (wetted parts)	stainless steel (316L/1.4404); stainless steel (316Ti/1.4571); PEEK; Centellen; FKM	
Process connection	threaded connection G 2 external thread DN50 flat seal	

Displays / operating elements		
Display	Display unit	6 x LED, green (gpm, gph, gal, °F, 10 ³ , 1000 x 10 ³)
	switching status	2 x LED, yellow
	measured values	alphanumeric display, 4-digit
	programming	alphanumeric display, 4-digit

Accessories		
Items supplied	sealings: 2, Centellen	
	Label	

Remarks		
Remarks	MW = measured value	
	MEW = Final value of the measuring range	
Pack quantity	1 pcs.	

Electrical connection		
Connector: 1 x M12; coding: A; Contacts: gold-plated		



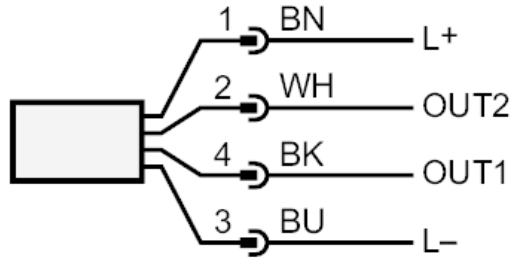
SM2001



Magnetic-inductive flow meter

SMR21XGXFRKG/US

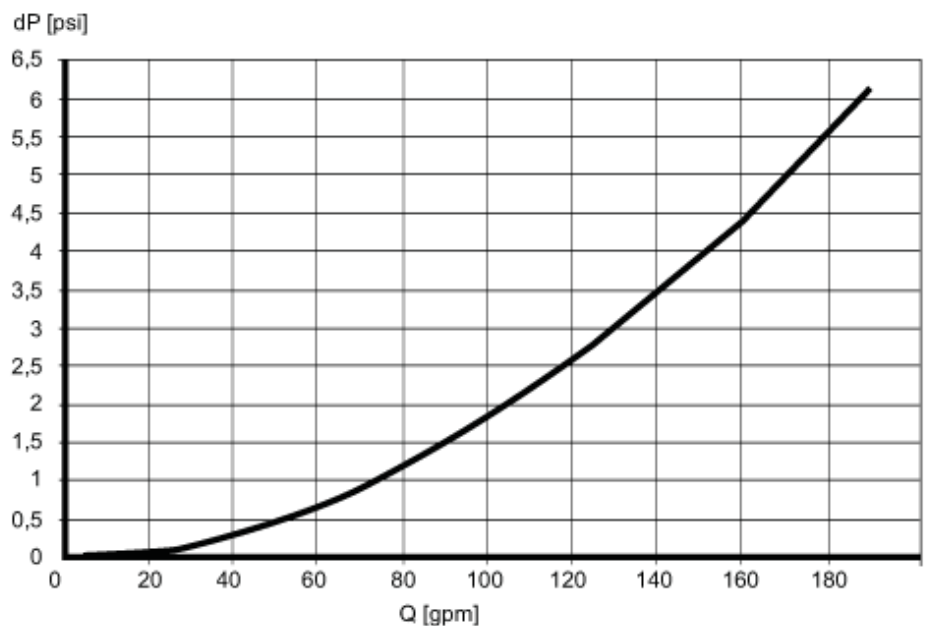
Connection



- OUT1: colours to DIN EN 60947-5-2
switching output empty pipe detection
switching output volumetric flow quantity monitoring
frequency output volumetric flow quantity monitoring
Pulse output quantity meter
signal output Preset counter
IO-Link
- OUT2:
switching output empty pipe detection
switching output volumetric flow quantity monitoring
switching output Temperature monitoring
analogue output volumetric flow quantity monitoring
analogue output Temperature monitoring
input counter reset
Core colours :
- BK = black
BN = brown
BU = blue
WH = white

Diagrams and graphs

Pressure loss



dP Pressure loss

Q volumetric flow quantity

Looking for pricing, stock, or lifecycle information?

Click below to explore more details on WIN SOURCE:

- ⊖ [View SM2001 on WIN SOURCE](#)
- ⊖ [ifm efector, inc. Information](#)

Optimize Your Supply Chain with WIN SOURCE Solutions

- ✓ Global Sourcing Solution
- ✓ Obsolete Management
- ✓ Cost Control Management
- ✓ Shortage Management
- ✓ Alternative Solution
- ✓ Excess Inventory Management