



**THE DATASHEET OF
IS66WV1M16EBLL-55BLI-TR**



16Mb LOW VOLTAGE, ULTRA LOW POWER PSEUDO CMOS STATIC RAM

Features

- High-Speed access time :
 - 70ns (IS66WV1M16EALL)
 - 60ns (IS66/67WV1M16EBLL)
- CMOS Lower Power Operation
- Single Power Supply
 - VDD =1.7V~1.95V(IS66WV1M16EALL)
 - VDD =2.5V~3.6V (IS66/67WV1M16EBLL)
- Three State Outputs
- Data Control for Upper and Lower bytes
- Lead-free Available

DESCRIPTION

The ISSI/IS66WV1M16EALL and IS66/67WV1M16EBLL are high-speed, 16M bit static RAMs organized as 1M words by 16 bits. It is fabricated using ISSI's high performance CMOS technology.

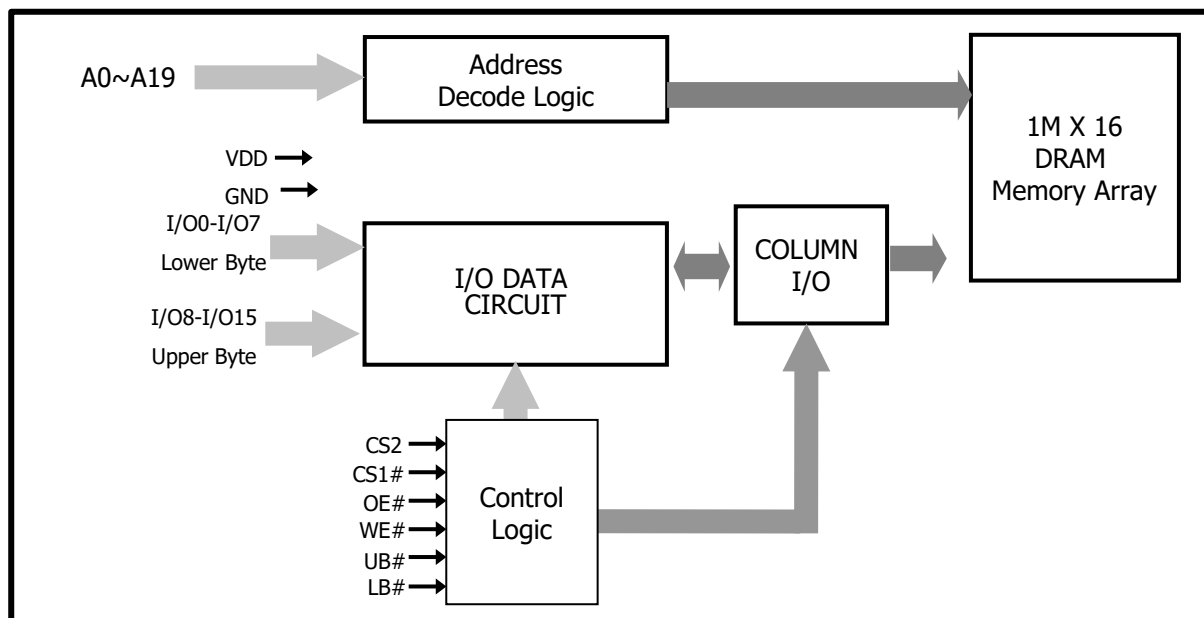
This highly reliable process coupled with innovative circuit design techniques, yields high-performance and low power consumption devices.

When CS1# is HIGH (deselected) or when CS2 is LOW (deselected), the device assumes a standby mode at which the power dissipation can be reduced down with CMOS input levels.

Easy memory expansion is provided by using Chip Enable and Output Enable inputs. The active LOW Write Enable (WE#) controls both writing and reading of the memory. A data byte allows Upper Byte (UB#) and Lower Byte (LB#) access.

The IS66WV1M16 EALL and IS66/67WV1M16EBLL are packaged in the JEDEC standard 48-ball mini BGA (6mm x 8mm). The device is also available for die sales.

FUNCTIONAL BLOCK DIAGRAM



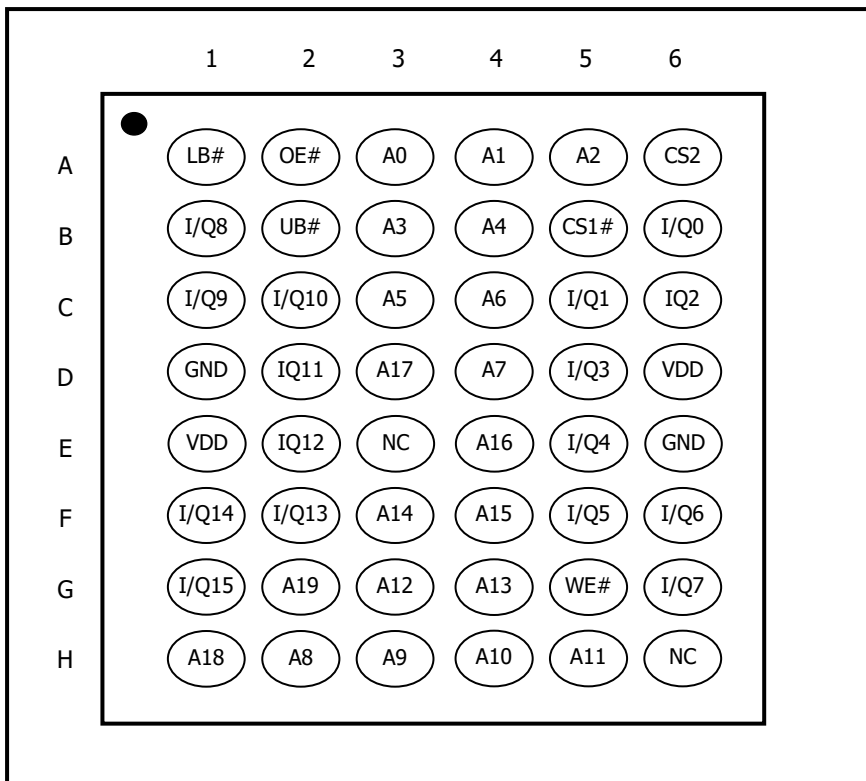
Copyright © 2018 Integrated Silicon Solution, Inc. All rights reserved. ISSI reserves the right to make changes to this specification and its products at any time without notice. ISSI assumes no liability arising out of the application or use of any information, products or services described herein. Customers are advised to obtain the latest version of this device specification before relying on any published information and before placing orders for products.

Integrated Silicon Solution, Inc. does not recommend the use of any of its products in life support applications where the failure or malfunction of the product can reasonably be expected to cause failure of the life support system or to significantly affect its safety or effectiveness. Products are not authorized for use in such applications unless Integrated Silicon Solution, Inc. receives written assurance to its satisfaction, that:

- a.) the risk of injury or damage has been minimized;
- b.) the user assume all such risks; and
- c.) potential liability of Integrated Silicon Solution, Inc is adequately protected under the circumstances

PIN CONFIGURATIONS

48-Ball miniBGA (6mm x 8mm) Ball Assignment



Notes :

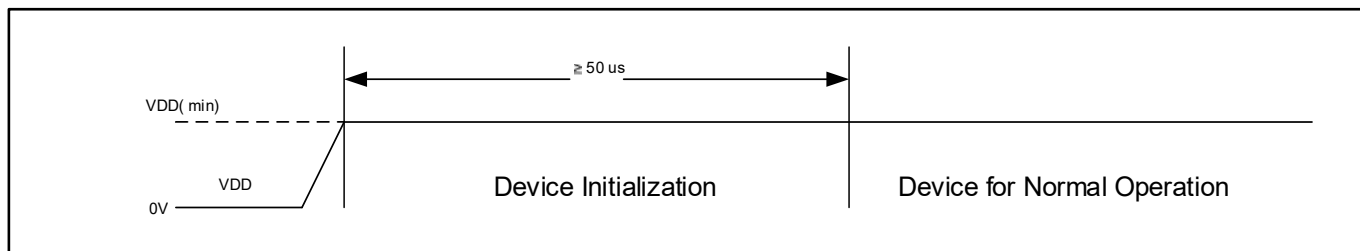
1. TSOP package option is under evaluation.

PIN DESCRIPTIONS

Symbol	Type	Description
A0~A19	Input	Address Inputs
I/Q0~I/Q15	Input / Output	Data Inputs/Outputs
CS1#, CS2	Input	Chip Enable
OE#	Input	Output Enable
WE#	Input	Write Enable
UB#	Input	Upper Byte select
LB#	Input	Lower Byte select
VDD	Power Supply	Power
GND	Power Supply	Ground

POWER UP INITIALIZATION

IS66WV1M16EALL and IS66/67WV1M16EBLL include an on-chip voltage sensor used to launch the power-up initialization process. When VDD reaches a stable level at or above the VDD (min) the device will require 50µs to complete its self-initialization process. During the initialization period, CS1# should remain HIGH. When initialization is complete, the device is ready for normal operation.



TRUTH TABLE

Mode	WE#	CS1#	CS2	OE#	LB#	UB#	I/O0 – I/O7	I/O8 – I/O15	VDD Current
Not Selected	X X	H X	X L	X X	X X	H X	High-Z High-Z	High-Z High-Z	ISB1, ISB2 ISB1, ISB2
Output Disabled	H H	L L	H H	H H	L X	X L	High-Z High-Z	High-Z High-Z	ICC ICC
Read	H H H	L L L	H H H	L L L	L H L	H L L	DOUT High-Z DOUT	High-Z DOUT DOUT	ICC ICC ICC
Write	L L L	L L L	H H H	X X X	L H L	H L L	Din High-Z Din	High-Z Din Din	ICC ICC ICC

OPERATING RANGE (VDD)

Range	Ambient Temperature	IS66WV1M16EALL (70ns)	IS66WV1M16EBLL (55ns, 70ns)	IS66WV1M16EBLL (55ns, 70ns)
Industrial	-40°C to +85°C	1.7V – 1.95V	2.5V – 3.6V	–
Automotive , A1	-40°C to +85°C	–	–	2.5V – 3.6V
Automotive , A2	-40°C to +105°C	–	–	2.5V – 3.6V

ABSOLUTE MAXIMUM RATINGS

Symbol	Parameter	Value	Unit
VTERM	Terminal Voltage with Respect to GND	-0.2 to V _{DD} + 0.3	V
TBIAS	Temperature Under BIAS	-40 to +85	°C
VDD	VDD Related to GND	-0.2 to +3.8	V
TSTG	Storage Temperature	-65 to +150	°C
PT	Power Dissipation	1.0	W

Notes:

Stresses greater than those listed may cause permanent damage to the device. This is a stress rating only, and functional operation of the device at these or any other conditions above those indicated in this specification is not implied. Exposure to absolute maximum rating conditions for extended periods may affect reliability.

DC ELECTRICAL CHARACTERISTICS (Over Operating Range)

VDD = 2.5V-3.6V (IS66/67WV1M16EBLL)

Symbol	Parameter	Test Conditions	V _{DD}	Min.	Max.	Unit
V _{OH}	Output HIGH Voltage	I _{OH} = -1 mA	2.5-3.6V	2.2	—	V
V _{OL}	Output LOW Voltage	I _{OL} = 2.1 mA	2.5-3.6V	—	0.4	V
V _{IH}	Input HIGH Voltage ⁽¹⁾		2.5-3.6V	2.2	V _{DD} + 0.3	V
V _{IL}	Input LOW Voltage ⁽¹⁾		2.5-3.6V	-0.2	0.6	V
I _{LI}	Input Leakage	GND ≤ V _{IN} ≤ V _{DD}		-1	1	μA
I _{Lo}	Output Leakage	GND ≤ V _{OUT} ≤ V _{DD} , Outputs Disabled		-1	1	μA

Notes:

- V_{ILL} (min.) = -2.0V AC (pulse width < 10ns). Not 100% tested.
V_{IHH} (max.) = V_{DD} + 2.0V AC (pulse width < 10ns). Not 100% test

DC ELECTRICAL CHARACTERISTICS (Over Operating Range)

VDD = 1.7V-1.95V (IS66WV1M16EALL)

Symbol	Parameter	Test Conditions	V _{DD}	Min.	Max	Unit
V _{OH}	Output HIGH Voltage	I _{OH} = -0.1 mA	1.7-1.95V	1.4	—	V
V _{OL}	Output LOW Voltage	I _{OL} = 0.1 mA	1.7-1.95V	—	0.2	V
V _{IH}	Input HIGH Voltage ⁽¹⁾		1.7-1.95V	1.4	V _{DD} + 0.2	V
V _{IL}	Input LOW Voltage ⁽¹⁾		1.7-1.95V	-0.2	0.4	V
I _{LI}	Input Leakage	GND ≤ V _{IN} ≤ V _{DD}		-1	1	μA
I _{Lo}	Output Leakage	GND ≤ V _{OUT} ≤ V _{DD} , Outputs Disabled		-1	1	μA

Notes:

- V_{ILL} (min.) = -1.0V AC (pulse width < 10ns). Not 100% tested.
V_{IHH} (max.) = V_{DD} + 1.0V AC (pulse width < 10ns). Not 100% test

CAPACITANCE

Symbol	Description	Conditions	MIN	MAX	Unit
C_{IN}	Input Capacitance	$V_{IN} = 0V$	-	8	pF
C_{IO}	Input/Output Capacitance (DQ)	$V_{out} = 0V$	-	10	pF

Notes:

1. Tested initially and after any design or process changes that may affect these parameters.

AC TEST CONDITIONS

Parameter	1.7V – 1.95V (Unit)	2.5V – 3.6V (Unit)
Input Pulse Level	0.4V to $V_{DD} - 0.2V$	0.4V to $V_{DD} - 0.3V$
Input Rise and Fall Time	5ns	5ns
Input and Output Timing and Reference Level	V_{REF}	V_{REF}
Output Load	See Figures 1 and 2	See Figures 1 and 2

Symbol	1.7V – 1.95V	2.5V – 3.6V
$R1(\Omega)$	3070	1029
$R2(\Omega)$	3150	1728
V_{REF}	0.9V	1.4V
V_{TM}	1.8V	2.8V

AC TEST LOADS

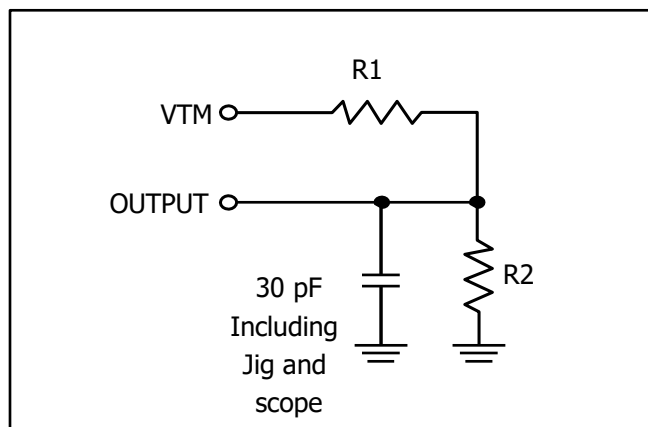


Figure 1

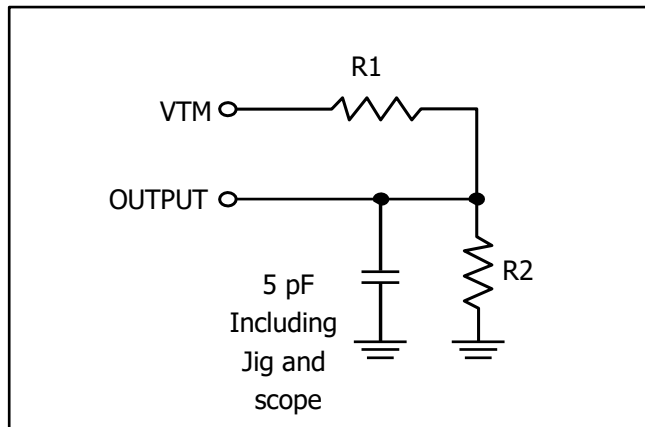


Figure 2

1.7V-1.95V POWER SUPPLY CHARACTERISTICS (Over Operating Range)

Symbol	Parameter	Conditions	Device	TYP.	MAX. 70ns	Unit
I _{CC}	VDD Dynamic Operating Supply Current	V _{DD} =Max., I _{OUT} =0mA, f=f _{MAX} , All inputs = 0.4V or V _{DD} - 0.2V	Com. Ind. Auto	- - -	20 25 30	mA
I _{CC1}	Operating Supply Current	V _{DD} =Max., CS1#=0.2V, WE# = V _{DD} - 0.2V, f=1MHz	Com. Ind. Auto	- - -	8 8 10	mA
I _{SB1}	TTL Standby Current (TTL Inputs)	V _{DD} =Max., V _{IN} =V _{IH} or V _{IL} , CS1# = V _{IH} , CS2=V _{IL} , f=1MHz	Com. Ind. Auto	- - -	0.6 0.6 1	mA
I _{SB2}	CMOS Standby Current (CMOS Inputs)	V _{DD} =Max., CS1# ≥ V _{DD} - 0.2V, CS2 ≤ 0.2V, V _{IN} > V _{DD} - 0.2V or V _{IN} < 0.2V, f=0	Com. Ind. Auto	- - -	100 120 150	uA

Notes:
 1. At f=f_{MAX}, address and data inputs are cycling at the maximum frequency, f = 0 means no input lines change.

2.5V-3.6V POWER SUPPLY CHARACTERISTICS (Over Operating Range)

Symbol	Parameter	Conditions	Device	TYP	MAX 55ns	Unit
I _{CC}	VDD Dynamic Operating Supply Current	V _{DD} =Max., I _{OUT} =0mA, f=f _{MAX} , All inputs = 0.4V or V _{DD} - 0.3V	Com. Ind. Auto A2 Typ.(2)	- - - -	25 28 35 15	mA
I _{CC1}	Operating Supply Current	V _{DD} =Max., CS1#=0.2V, WE# = V _{DD} - 0.2V, f=1MHz	Com. Ind. Auto A2	- - -	8 8 10	mA
I _{SB1}	TTL Standby Current (TTL Inputs)	V _{DD} =Max., V _{IN} =V _{IH} or V _{IL} , CS1# = V _{IH} , CS2=V _{IL} , f=1MHz	Com. Ind. Auto A2	- - -	0.6 0.6 1	mA
I _{SB2}	CMOS Standby Current (CMOS Inputs)	V _{DD} =Max., CS1# ≥ V _{DD} - 0.2V, CS2 ≤ 0.2V, V _{IN} > V _{DD} - 0.2V or V _{IN} < 0.2V, f=0	Com. Ind. Auto A2 Typ.(2)	- - - -	100 130 150 75	uA

Notes:
 1. At f=f_{MAX}, address and data inputs are cycling at the maximum frequency, f = 0 means no input lines change.
 2. Typical values are measured at V_{DD} = 3.0V, Ta = 25 °C, and not 100% tested.

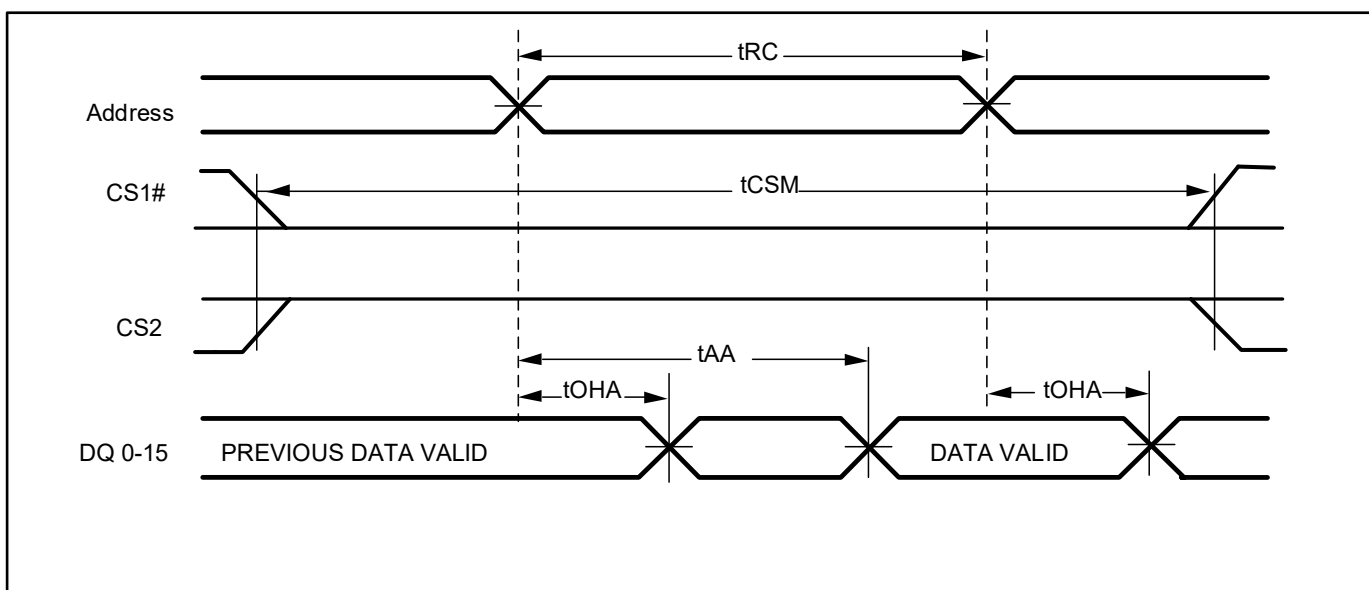
READ CYCLE SWITCHING CHARACTERISTICS⁽¹⁾ (Over Operating Range)

Symbol	Parameter	-55		-70		Unit	Notes
		Min	Max	Min	Max		
t_{RC}	Read cycle time	60	-	70	-	ns	
t_{AA}	Address Access Time	-	60	-	70	ns	1
t_{OHA}	Output Hold Time	10	-	10	-	ns	
$t_{ACS1/ACS2}$	CS1#/CS2 Access Time	-	60	-	70	ns	
t_{DOE}	OE# Access Time	-	25	-	35	ns	1
t_{HZOE}	OE# to High-Z output	-	20	-	25	ns	2
t_{LZOE}	OE# to Low-Z output	5	-	5	-	ns	2
t_{CSM}	Maximum CS1#/CS2 pulse width	-	15	-	15	us	
$t_{HZCS1/HZCS2}$	CS1#/CS2 to High-Z output	0	20	0	25	ns	2
$t_{LZCS1/HZCS2}$	CS1#/CS2 to Low-Z output	10	-	10	-	ns	2
t_{BA}	UB#/LB# Access Time	-	60	-	70	ns	1
t_{HZB}	UB#/LB# to High-Z output	0	20	0	25	ns	2
t_{LZB}	UB#/LB# to Low-Z output	0	-	0	-	ns	2
t_{CPH}	CS1# HIGH (CS2 LOW) time	5	-	5	-	ns	

- Notes:
1. Test conditions and output loading are specified in the AC Test Conditions and AC Test Loads (Figure 1) on page 5.
 2. Tested with the load in Figure 2. Transition is measured ± 100 mV from steady-state voltage. Not 100% tested.

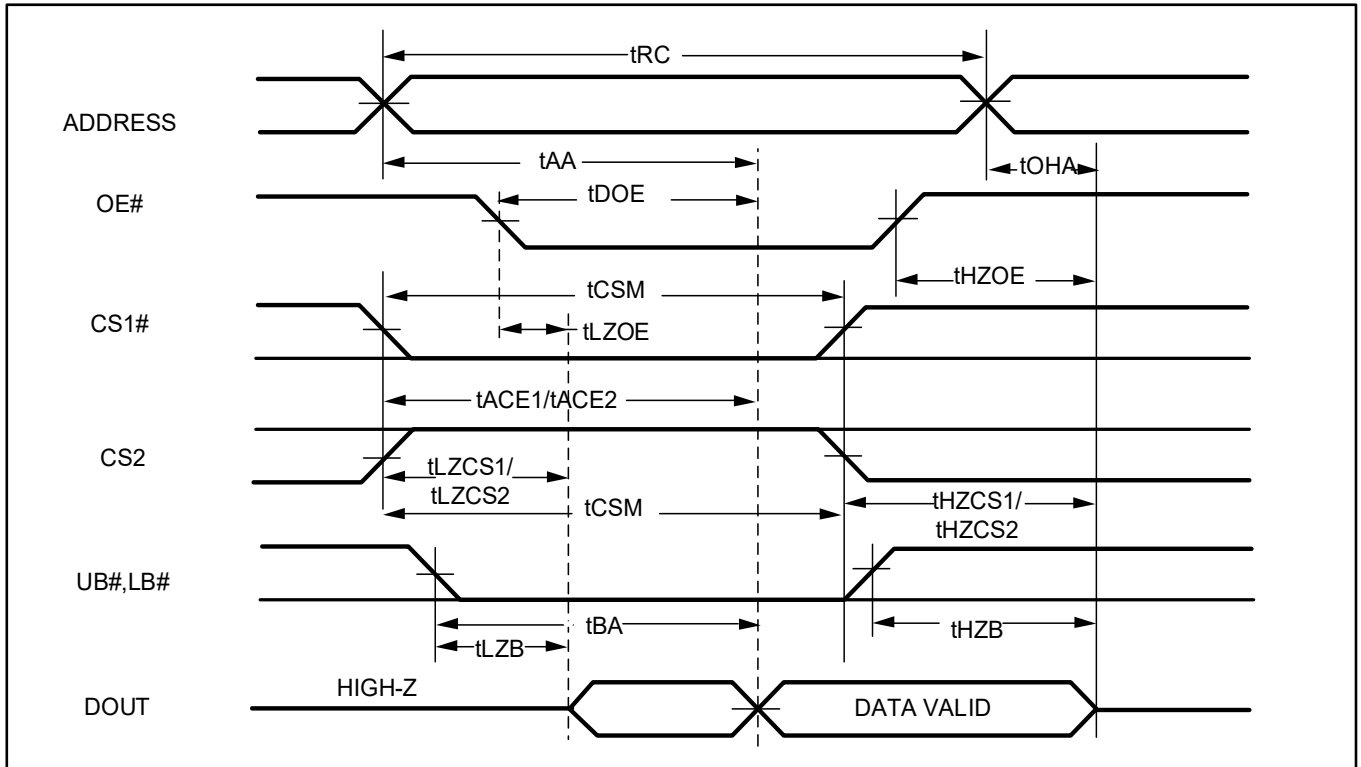
AC WAVEFORMS

READ CYCLE NO. 1⁽¹⁾ (Address Controlled, OE# = V_{IL}, WE# = V_{IH}, UB# or LB# = V_{IL})



- Notes:
1. WE# is HIGH for a Read Cycle.

READ CYCLE NO. 2⁽¹⁾ (CS1#, CS2, OE# and UB#/LB# Controlled)



Notes:

1. Address is valid prior to or coincident with CS1# LOW (CS2 HIGH) transition, and is valid after or coincident with CS1# HIGH (CS2 LOW) transition.

WRITE CYCLE SWITCHING CHARACTERISTICS⁽¹⁾ (Over Operating Range)

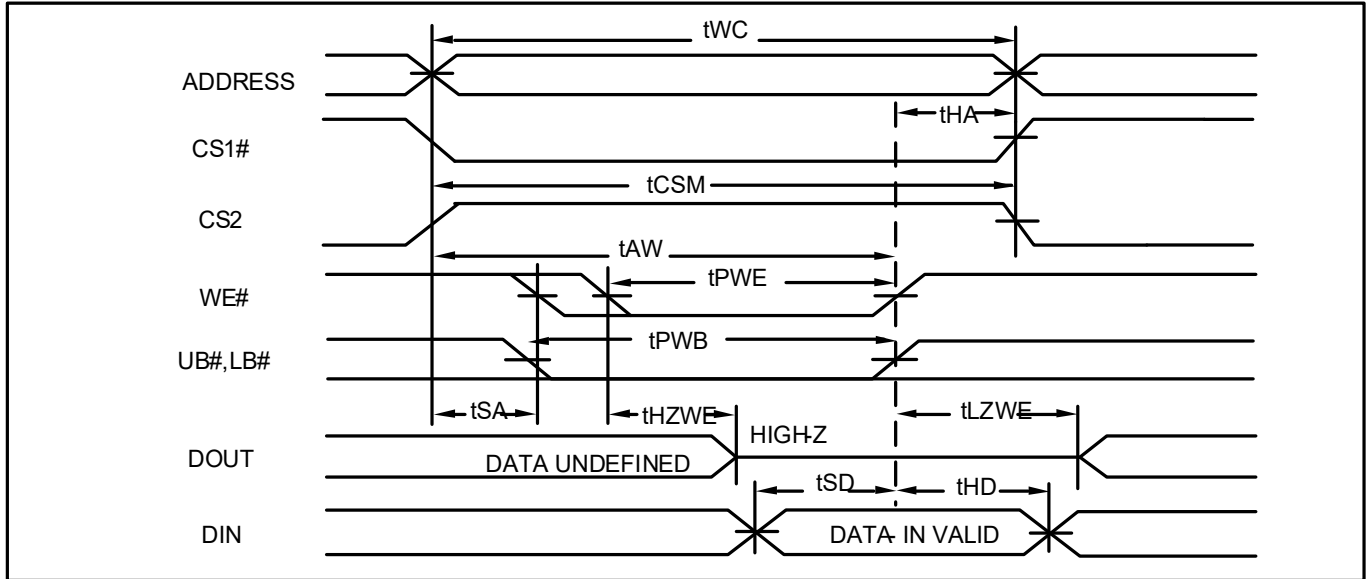
Symbol	Parameter	-55		-70		Unit	Notes
		Min	Max	Min	Max		
t_{WC}	Write Cycle Time	55	-	70	-	ns	
$t_{SCS1/SCS2}$	CS1#/CS2 to Write End	45	-	60	-	ns	
t_{CSM}	Maximum CS1#/CS2 pulse width	-	15	-	15	us	
t_{AW}	Address Setup to Write Time	45	-	60	-	ns	
t_{HA}	Address Hold to End of Write	0	-	0	-	ns	
t_{SA}	Address Setup Time	0	-	0	-	ns	
t_{PWB}	UB#/LB# Valid to End of Write	45	-	60	-	ns	
t_{PWE}	WE# Pulse Width	45	-	60	-	ns	
t_{SD}	Data Setup Time	25	-	30	-	ns	
t_{HD}	Data Hold Time	0	-	0	-	ns	
t_{HZWE}	WE# LOW to High-Z output	-	20	-	30	ns	3
t_{LZWE}	WE# HIGH to Low-Z output	5	-	5	-	ns	3
t_{CPH}	CS1# HIGH (CS2 LOW) time	5	-	5	-	ns	

Notes:

1. Test conditions and output loading are specified in the AC Test Conditions and AC Test Loads (Figure 1) on page 5.
2. The internal write time is defined by the overlap of CS1#, UB#, LB# and WE# LOW, CS2 HIGH. All signals must be in valid states to initiate a Write, but anyone can go inactive to terminate Write. The Data Input Setup and Hold timing are referenced to the rising or falling edge of the signals that terminates the Write.
3. Tested with the load in Figure 2. Transition is measured ± 100 mV from steady-state voltage. Not 100% tested.
4. $t_{PWE} > t_{HZWE} + t_{SD}$ when OE# is LOW.
5. Chip Select Active Time (both CS1# LOW and CS2 HIGH) must not be longer than t_{CMS} of 15 us.

AC WAVEFORMS

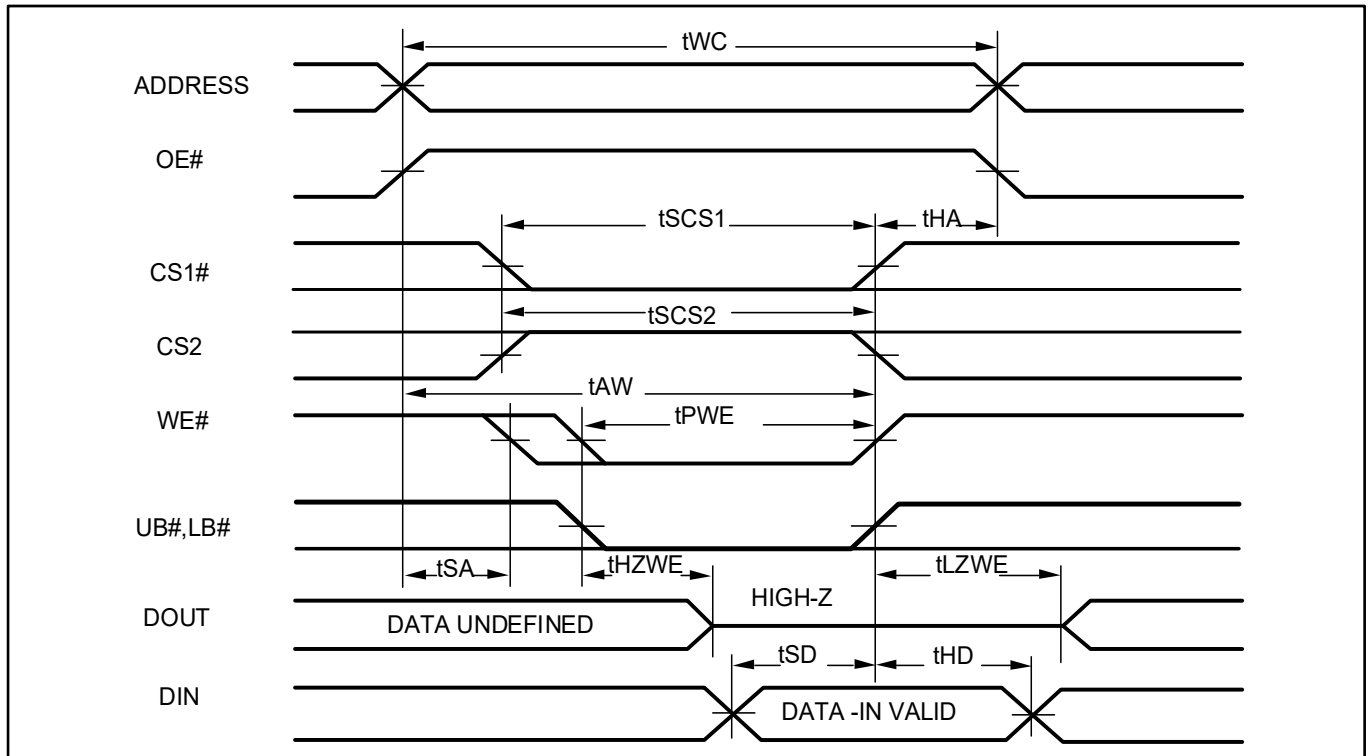
WRITE CYCLE NO. 1⁽¹⁾ (CS1# Controlled, OE# = HIGH or LOW)



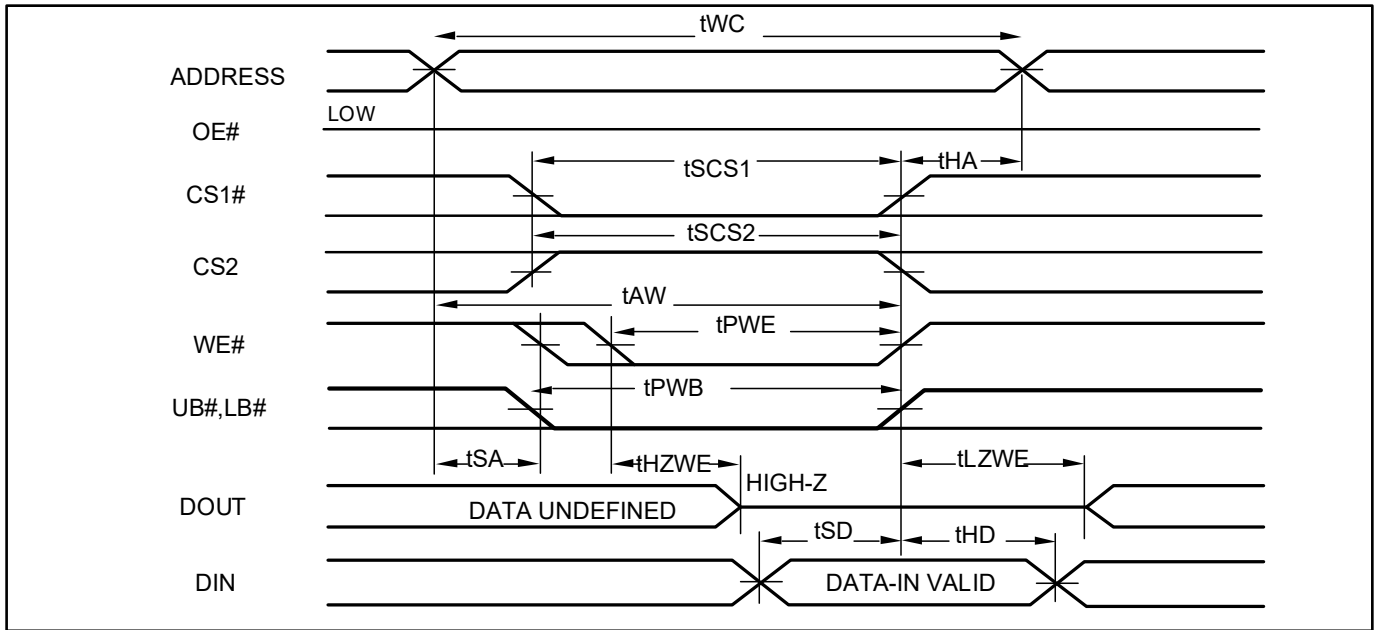
Notes:

1. Write address is valid prior to or coincident with CS1# LOW (CS2 HIGH) transition, and is valid after or coincident with CS1# HIGH (CS2 LOW) transition.

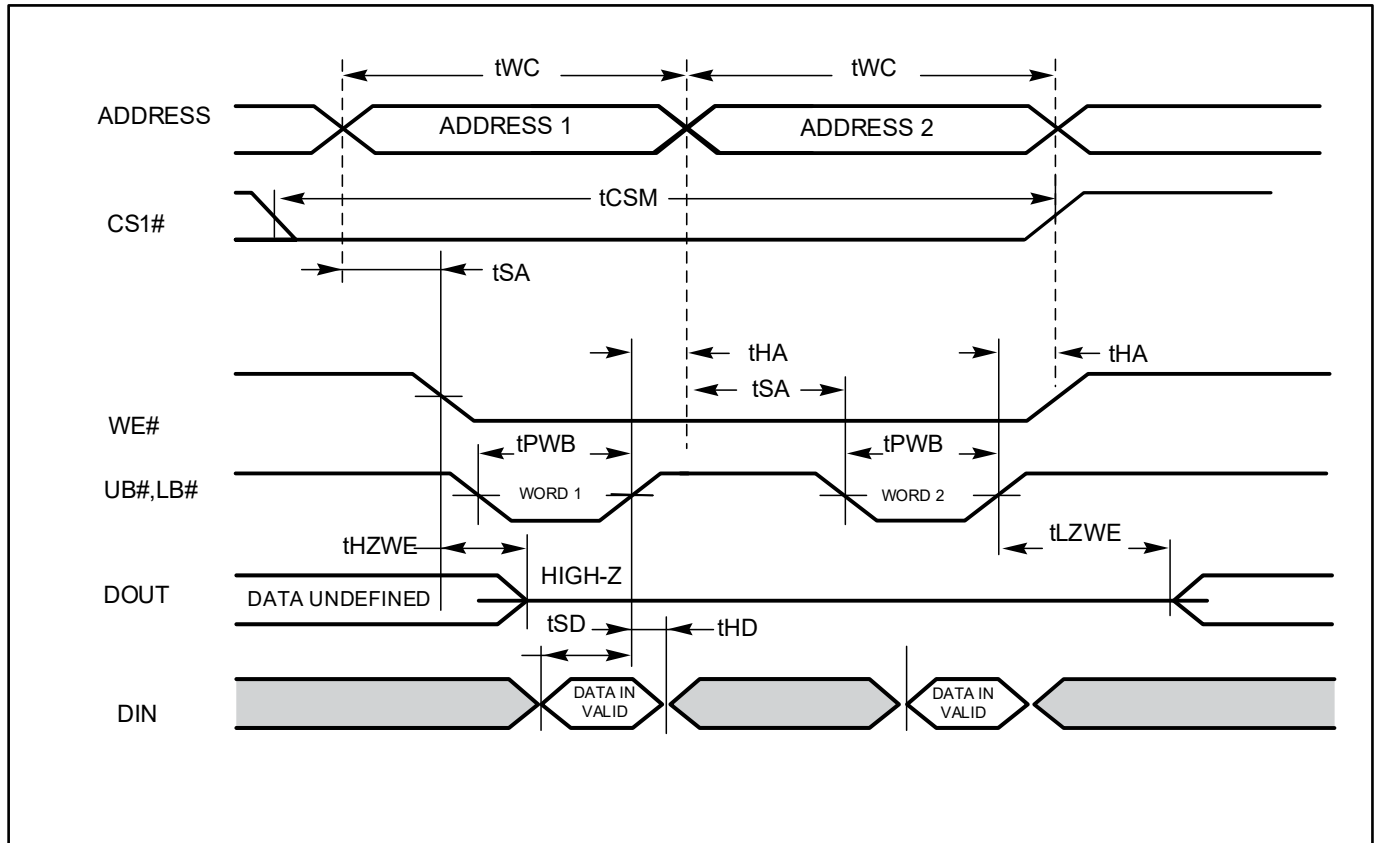
WRITE CYCLE NO. 2 (WE# Controlled, OE# = HIGH during Write Cycle)



WRITE CYCLE NO. 3 (WE# Controlled, OE#= LOW during Write Cycle)



WRITE CYCLE NO. 4 (UB# / LB# Controlled, CS2 is HIGH during Write Cycle)



AVOIDABLE TIMING and RECOMMENDATIONS

Figure 3a : tCSM Violation

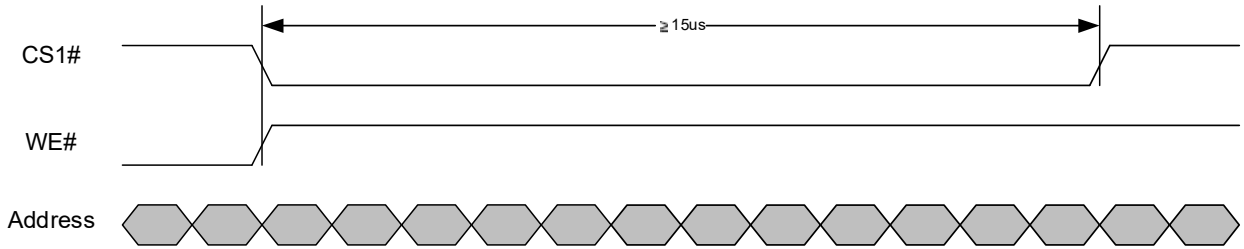
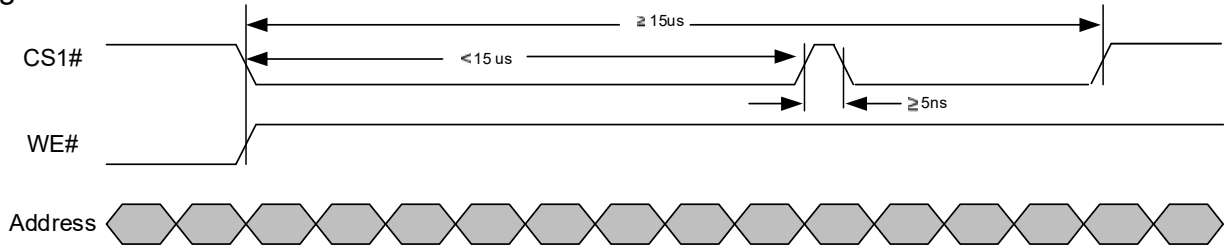


Figure 3b : Recommendation



AVOIDABLE TIMING and RECOMMENDATIONS

Figure 4a : tCSM Violation

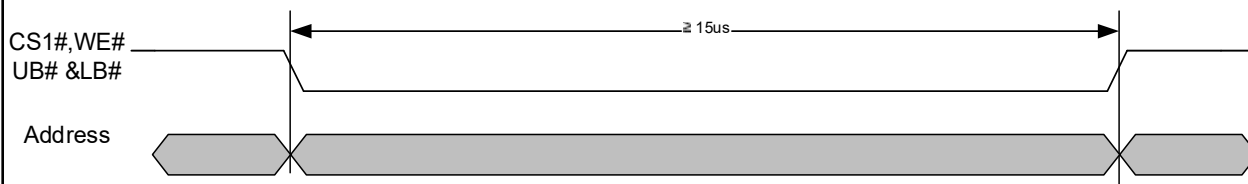
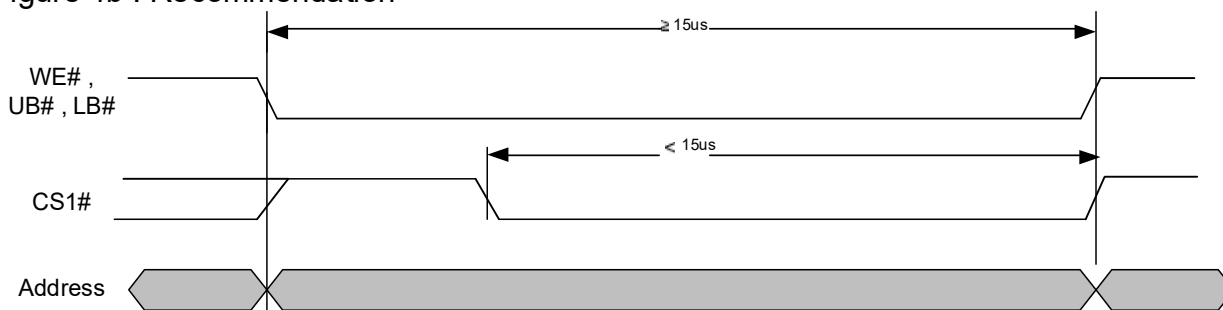


Figure 4b : Recommendation



Notes:

1. PSRAM uses DRAM cell which needs a REFRESH action periodically to retain the information. This REFRESH action is performed only when the device is not selected (Chip Select Pins are Disabled). A hidden REFRESH action has to be executed by the device at least once every 15 μs of tCSM.
2. **Figure 3a** shows a timing example in which consecutive READ cycles for more than 15 μs . This timing should be avoided for proper REFRESH operation. REFRESH operation can begin only during Chip Select pins are Disabled (CS1# is High and CS2 is Low) for more than 5ns. Example on how to avoid tCSM violation in Figure 3a is shown in Figure 3b.
3. **Figure 4a** shows a timing example in which a single WRITE operation is maintained for a period greater than 15 μs . Since a proper REFRESH action cannot be performed during device is selected by Chip Select pins, information stored in the device will not be retained if this timing occurs.
 Figure 4b is a timing example of using CS1# signal toggling for proper the WRITE operation

IS66WV1M16EALL

Voltage Range : 1.7V to 1.95V

Industrial Temperature Range: (-40°C to +85°C)

Config.	Speed (ns)	Order Part No.	Package
1Mx16	70	IS66WV1M16EALL-70BLI	mini BGA(6mm x 8mm), Lead-free

IS66/67WV1M16EBLL

Voltage Range : 2.5V to 3.6V

Industrial Temperature Range: (-40°C to +85°C)

Config.	Speed (ns)	Order Part No.	Package
1Mx16	70	IS66WV1M16EBLL-70BLI	mini BGA(6mm x 8mm), Lead-free

Voltage Range : 2.5V to 3.6V

Automotive (A1) Temperature Range: (-40°C to +85°C)

Config.	Speed (ns)	Order Part No.	Package
1Mx16	70	IS67WV1M16EBLL-70BLA1	mini BGA(6mm x 8mm), Lead-free

Voltage Range : 2.5V to 3.6V

Automotive (A2) Temperature Range: (-40°C to +105°C)

Config.	Speed (ns)	Order Part No.	Package
1Mx16	70	IS67WV1M16EBLL-70BLA2	mini BGA(6mm x 8mm), Lead-free

Looking for pricing, stock, or lifecycle information?

Click below to explore more details on WIN SOURCE:

- [⊖ View IS66WV1M16EBLL-55BLI-TR on WIN SOURCE](#)
- [⊖ ISSI, Integrated Silicon Solution Inc Information](#)

Optimize Your Supply Chain with WIN SOURCE Solutions

- ✓ Global Sourcing Solution
- ✓ Obsolete Management
- ✓ Cost Control Management
- ✓ Shortage Management
- ✓ Alternative Solution
- ✓ Excess Inventory Management