



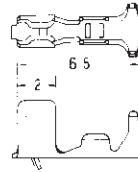
**THE DATASHEET OF**  
**172211-2**



## Receptacle Connectors (Wire Applied) (Continued)

### Low Profile Type Receptacle Contacts

**Material:**  
Pre-Tin Phosphor Bronze

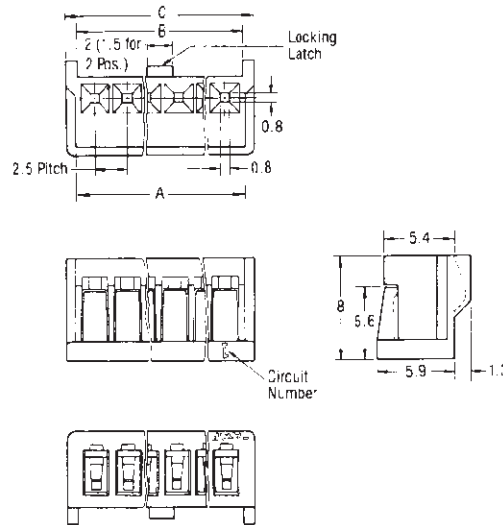
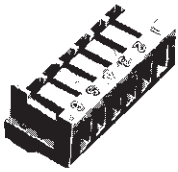


AWG	Wire Size		Wire Ins. Dia.	Contact Part No.		Hand Tool Part No.
		mm <sup>2</sup>		S.T.	L.P.	
30-26		0.05-0.15	1.0-1.5	170355-1	170370-1	724663-1
26-22		0.12-0.35	1.1-1.9	170354-1	170369-1	755332-1

Hand Tool Instruction Sheet: IS-099J(724663-1), IS-364J(755332-1).  
Insertion Tool No.: 724674-1, Extraction Tool No.: 724676-1.

### Low Profile Type Receptacle Housings (2.5mm)

**Material:**  
UL 94V-0 rated, 5/6 nylon  
See chart for color.




No. of pos.	Dimensions			Part Number of Receptacle Housing				
	A	B	C	Natural*	Black	Blue	Green	Red
2	5.5	5.2	7.0	172142-2	2-172142-2	4-172142-2	6-172142-2	8-172142-2
3	8.0	7.7	9.5	172142-3	2-172142-3	4-172142-3	6-172142-3	8-172142-3
4	10.5	10.2	12.0	172142-4	2-172142-4	4-172142-4	6-172142-4	8-172142-4
5	13.0	12.7	14.5	172142-5	2-172142-5	4-172142-5	6-172142-5	8-172142-5
6	15.5	15.2	17.0	172142-6	2-172142-6	4-172142-6	6-172142-6	8-172142-6
7	18.0	17.7	19.5	172142-7	2-172142-7	4-172142-7	6-172142-7	8-172142-7
8	20.5	20.2	22.0	172142-8	2-172142-8	4-172142-8	6-172142-8	8-172142-8
9	23.0	22.7	24.5	172142-9	2-172142-9	4-172142-9	6-172142-9	8-172142-9
10	25.5	25.2	27.0	1-172142-0	3-172142-0	5-172142-0	7-172142-0	9-172142-0
12	30.5	30.2	32.0	1-172142-2	3-172142-2	5-172142-2	7-172142-2	9-172142-2

\*Natural is the standard and will be stocked. Other colors, minimums may apply.

## Looking for pricing, stock, or lifecycle information?

Click below to explore more details on WIN SOURCE:

 [View 172211-2 on WIN SOURCE](#)

 [TE Connectivity](#) Information

## Optimize Your Supply Chain with WIN SOURCE Solutions

-  Global Sourcing Solution
-  Obsolete Management
-  Cost Control Management
-  Shortage Management
-  Alternative Solution
-  Excess Inventory Management