



**THE DATASHEET OF  
TL3780AF240QG**



# TL3780 SERIES TACT SWITCH

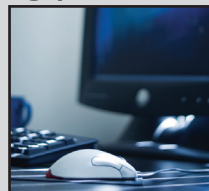
ANTI-VANDAL SWITCHES  
 DETECTOR SWITCHES  
 DIP SWITCHES  
 KEYLOCK SWITCHES  
 NAVIGATION SWITCHES  
 PUSHBUTTON SWITCHES  
 ROCKER SWITCHES  
 ROTARY SWITCHES  
 SLIDE SWITCHES  
 SNAP ACTION SWITCHES  
**TACTILE SWITCHES**  
 TOGGLE SWITCHES  
 CAP OPTIONS



## APPLICATIONS / MARKETS



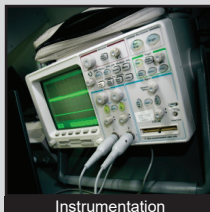
Wearable Electronics



Computer Peripherals



Consumer Electronics



Instrumentation



Telecommunication



Medical Equipment

**RoHS**

## SPECIFICATIONS

**Electrical Rating:** 50mA @ 12VDC  
**Electrical Life:**  
 160, 240 Gram = 500,000 Cycles  
 100, 330 Gram = 300,000 Cycles  
**Contact Resistance:** 500mΩ Max. initial  
**Insulation Resistance:** 50M Ω at 100VDC  
**Dielectric Strength:** 250VAC for 1 min.  
**Operating Temperature:** -40°C to 85°C  
**Storage Temperature:** -40°C to 85°C  
**Operating Force:** 100, 160, 240, 330 gf  
**Travel:** 0.13mm  
**Contact Arrangement:** SPST

## FEATURES & BENEFITS

- Ultra-miniature - 2.0mm x 3.0mm
- Surface mount termination
- Very low profile - 0.60mm

## PART NUMBER CONFIGURATOR

Series	Model	Actuator Option	Actuation Force	Contact Material	Termination
TL	3780	A - 0.6mm	F100 - 100 gf F160 - 160 gf F240 - 240 gf F330 - 330 gf	Q - Silver	G - Gullwing

*Specifications subject to change without notice*



**E-SWITCH®**

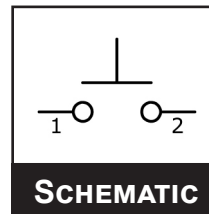
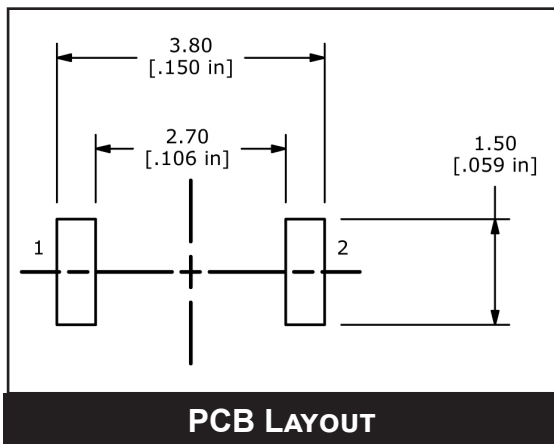
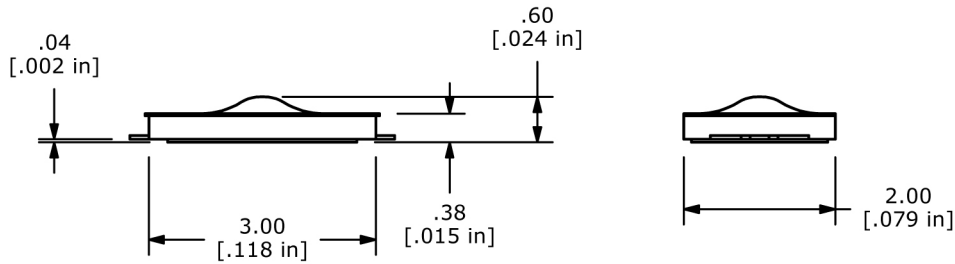
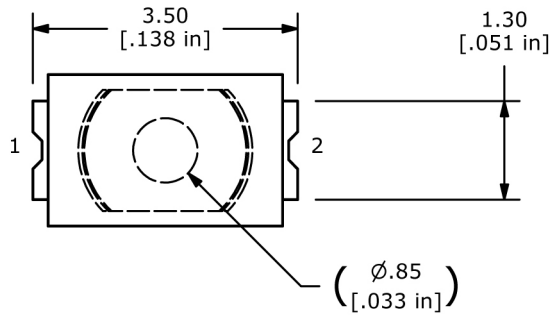
www.e-switch.com

800.867.2717

2

# TL3780 SERIES TACT SWITCH

## BODY DIMENSIONS



- ANTI-VANDAL SWITCHES
- DETECTOR SWITCHES
- DIP SWITCHES
- KEYLOCK SWITCHES
- NAVIGATION SWITCHES
- PUSHBUTTON SWITCHES
- ROCKER SWITCHES
- ROTARY SWITCHES
- SLIDE SWITCHES
- SNAP ACTION SWITCHES
- TACTILE SWITCHES**
- TOGGLE SWITCHES
- CAP OPTIONS



## Looking for pricing, stock, or lifecycle information?

Click below to explore more details on WIN SOURCE:

 [View TL3780AF240QG on WIN SOURCE](#)

 [E-Switch Information](#)

## Optimize Your Supply Chain with WIN SOURCE Solutions

-  Global Sourcing Solution
-  Obsolete Management
-  Cost Control Management
-  Shortage Management
-  Alternative Solution
-  Excess Inventory Management