



THE DATASHEET OF
0821-1X1T-43-F



THE INFORMATION CONTAINED HEREIN IS CONSIDERED 'PROPRIETARY' TO BEL FUSE INC. AND SHALL NOT BE COPIED, REPRODUCED OR DISCLOSED WITHOUT THE WRITTEN APPROVAL OF BEL FUSE INC.

ELECTRICAL CHARACTERISTICS @ 25°C

TURNS RATIO

TP1 1CT : 1CT ±2%
 TP2 1CT : 1CT ±2%
 TP3 1CT : 1CT ±2%
 TP4 1CT : 1CT ±2%

QCL @ 100kHz/100mVRMS

8mA DC BIAS
 INS. LOSS 350µH MIN.
 0.1MHz TO 1MHz -1.1 dB MAX
 1MHz TO 65MHz -0.5 dB MAX
 65MHz TO 100MHz -0.8 dB MAX
 100MHz TO 125MHz -1.2 dB MAX

RET. LOSS (MIN)

0.5MHz-40MHz -18 dB
 40MHz-100MHz -12+20LOG<f/80MHz> dB
 CROSS TALK -33+20LOG<f/100MHz>dB MIN

100kHz - 100MHz
 CM TO CM REJ -30 dB MIN
 100kHz - 100MHz
 CM TO DM REJ -35 dB MIN
 100kHz - 100MHz

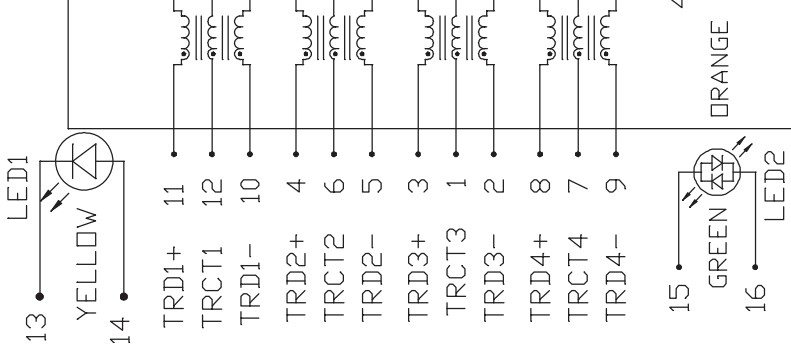
HIPOT (Isolation Voltage):

1500 Vrms
 100% OF PRODUCTION TESTED TO COMPLY WITH IEEE 802.3 ISOLATION REQUIREMENT

LED 1

VF <FORWARD VOLTAGE> IF=20mA YELLOW 2.1V TYP.
 λD <DOMINANT WAVELENGTH>IF=20mA YELLOW 590nm TYP.
 LED 2
 VF <FORWARD VOLTAGE> IF=20mA GREEN 2.2V TYP.
 ORANGE 2.0V TYP.
 λD <DOMINANT WAVELENGTH>IF=20mA GREEN 570nm TYP.
 ORANGE 605nm TYP.

LED1 POLARITY		LED2 POLARITY	
PIN 13	PIN 14	PIN 15	PIN 16
-	YELLOW	+	-
		-	+



USB ELECTRICAL:

INSULATION RESISTANCE:
 CONTACT RESISTANCE:
 DIELECTRIC WITHSTAN

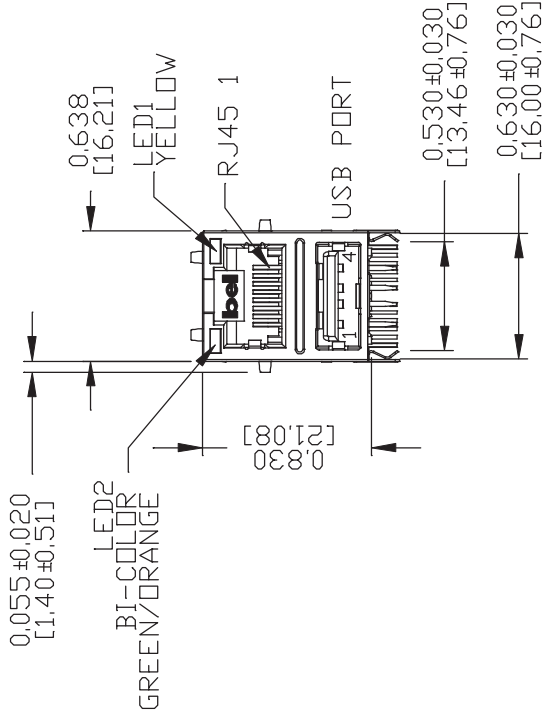
ORIGINATED BY CHOW WANCHUNG	TITLE 1Gigabit MagJack @ Combo (single USB, 8 cores)	PART NO. / DRAWING NO. 08211X1T43-F	STANDARD DIM. TOL. IN INCH	[] METRIC AS REF.
DATE 2015-10-13			.X	UNIT : INCH
DRAWN BY MURPHY LEE	FILE NAME 0821-1X1T-43-F PATENTED		.XX	SCALE : N/A
DATE 2015-10-13			.XXX	SIZE

DC002(2)120214

This document is electronically generated. This is a controlled copy if used.

THE INFORMATION CONTAINED HEREIN IS CONSIDERED "PROPRIETARY" TO BEL FUSE INC. AND SHALL NOT BE COPIED, REPRODUCED OR DISCLOSED WITHOUT THE WRITTEN APPROVAL OF BEL FUSE INC.

MECHANICAL SPECIFICATION



0.055±0.020 [1.40±0.51]

0.140 [3.55]
 GROUND LEADS

1.155 [29.3] MAX.

RJ45 MECHANICAL:

PLASTIC HOUSING: THERMOPLASTIC PBT

FLAMMABILITY RATING UL 94V-0

CONTACT PLATING: 30 MICRO-INCH HARD GOLD PLATING OR EQUIVALENT.

PINS: TIN-COATED COPPER WIRE, DIA 0.018 INCH.

METAL SHIELD: NICKEL PLATED ON COPPER ALLOY.

<ALL GROUND LEADS ARE SOLDER DIPPED>

UL US UL RECOGNIZED - FILE #E196366 AND E169987.

1 MARK PART WITH MFG. LOGO, MFG. NAME, PART NUMBER AND DATE CODE.

2 MARKING "PATENTED".

USB MECHANICAL:

MATING FORCE: 35 NEWTONS MIN

UNMATING FORCE: 10 NEWTONS MIN

CONTACT:

30 MICRO-INCH

CONTACT AREA

3, THE PRODUCT IS RoHS COMPLIANT

4, THE PRODUCT IS PATENTED, THE

U.S. PAT. 7,123,117.

ORIGINATED BY
 ANTON LIAD
 DATE 2015-10-13

DRAWN BY
 JESSE LI
 DATE 2015-10-13

TITLE
 10Gigabit MagJack® Combo
 (single USB, 8 cores)
 0821-1X1T-43-F
 PATENTED

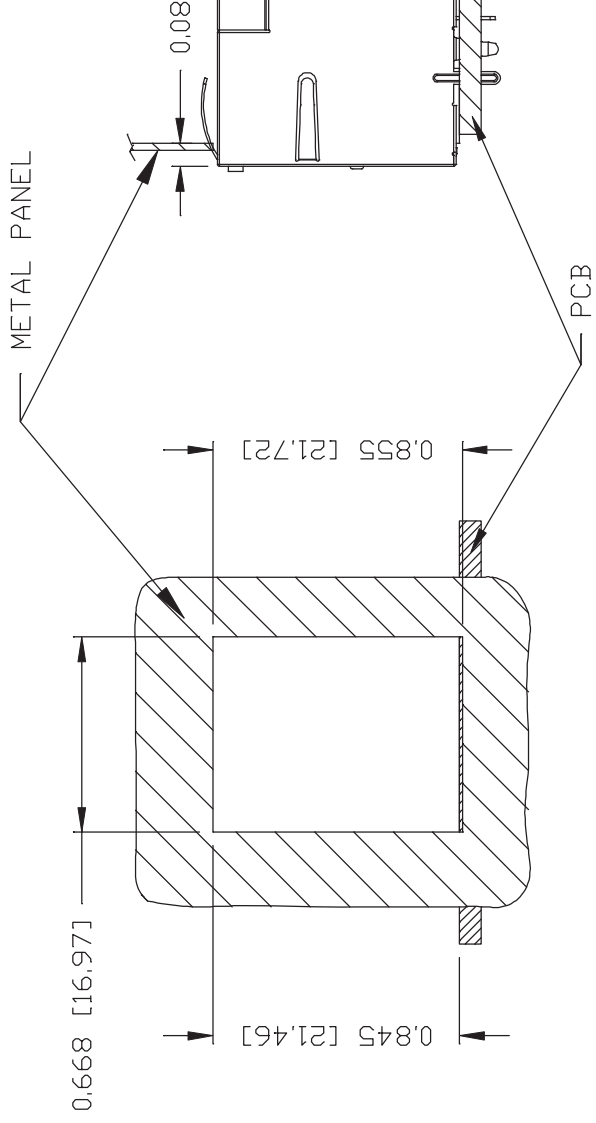
PART NO. / DRAWING NO.
 08211X1T43-F

FILE NAME
 08211X1T43-F_D.DWG

STANDARD DIM. TOL. IN INCH	[] METRIC AS REF.
.X	UNIT : INCH
.XX	SCALE : N/A
.XXX	SIZE
±0.010	

THE INFORMATION CONTAINED HEREIN IS CONSIDERED "PROPRIETARY" TO BEL FUSE INC. AND SHALL NOT BE COPIED, REPRODUCED OR DISCLOSED WITHOUT THE WRITTEN APPROVAL OF BEL FUSE INC.

SUGGESTED PANEL OPENING



NOTES:

THE DISTANCE OF PANEL INSIDE SURFACE RELATIVE TO FRONT SURFACE OF PART IS ONLY A IN CASE THIS DISTANCE IS DIFFERENT, THE REQUIRED PANEL OPENING DIMENSIONS CHANGE ACCORDINGLY

PACKING INFORMATION

PACKING TRAY : 0200-0148-48 (TOP)
 0200-0148-49 (BOTTOM)

PACKING QUANTITY : 60 PCS FINISHED GOODS PER TRAY
 8 TRAYS (480 PCS FINISHED GOODS) PER CARTON BOX

NOTE : CARDBOARDS ARE PLACED BETWEEN LAYERS OF PACKING TRAY INSIDE CARTON BOX
 (INCLUDE THE UPPERMOST AND LOWERMOST TRAY)

ORIGINATED BY ANTON LIAD	TITLE gigabit MagJack® Combo (single USB, 8 cores)	PART NO. / DRAWING NO. 08211X1T43-F	STANDARD DIM. TOL. IN INCH	[] METRIC AS REF.
DATE 2015-10-13		FILE NAME 08211X1T43-F_D.DWG	.X	UNIT : INCH
DRAWN BY JESSE LI			.XX	SCALE : N/A
DATE 2015-10-13			.XXX	SIZE ⌀0.004

DC002(2)120214

This document is electronically generated. This is a controlled copy if used

Looking for pricing, stock, or lifecycle information?

Click below to explore more details on WIN SOURCE:

- [View 0821-1X1T-43-F on WIN SOURCE](#)
- [Bel Fuse Inc. Information](#)

Optimize Your Supply Chain with WIN SOURCE Solutions

- ✓ Global Sourcing Solution
- ✓ Obsolete Management
- ✓ Cost Control Management
- ✓ Shortage Management
- ✓ Alternative Solution
- ✓ Excess Inventory Management