



**THE DATASHEET OF
OWMB-757525S-27-15A**



	DATE	29 Jun, 15	SPECIFICATION	OLE WOLFF INTERNATIONAL	
	PAGE	1 / 8		WWW.OWOLFF.COM	
	DK	MODEL NAME: OWMB-757525S-27-15A			Rev.2

SPECIFICATION FOR APPROVAL

SMD Electro-Magnetic Transducer

Model Number	OWMB-757525S-27-15A
Noted	RoHS Compliant

		DRAWN	CHECKED	APPROVED
CUSTOMER	SIGN			
OLE WOLFF	SIGN			

REVISION NOTES:

Date	Rev. No.	Description of Revision
2014-2-11	0	Original Revision.
2015-1-12	1	Add P/N and Date Code on the product.
2015-6-29	2	Change the Sound Output from Min.85dB to 85~91dB.

OLE WOLFF ELEKTRONIK A/S Roedengvej 25 4180 Soroe Denmark TEL: +45 57833830 FAX: +45 57820019	OLEWOLFF ELECTRONICS INC. 4340 Cross Street Downers Grove, Chicago IL 60515, USA TEL : +847 962 4169 FAX : +630 852 2520	OLEWOLFF ELEKTRONIK GmbH Schulstrasse 15A. DE- 25451 Quickborn. Germany TEL: +49 (0) 4106 765900 FAX: +49 (0) 4106 627297	OLEWOLFF ELECTRONICS 3 Bedford Street, Woburn, Bedfordshire MK17 9QB, ENGLAND TEL: +44 (0) 1525 290755 FAX: +44 (0) 1525 290855	OLEWOLFF ELEKTRONIK Yliopistonkatu 26A, P.O. Box 257, FIN-40101 Jyväskylä, FINLAND TEL: +358 14 338 3050 FAX: +358 14 338 3059	OLE WOLFF (ASIA) LTD. Unit B, 19/F., Bold Win Ind. Bldg., No. 16-18 Wah Sing St., Kwai Chung, N.T., H.K. TEL: +852 2424 3274 FAX: +852 2424 2219	OLE WOLFF LTD. Unit 7A08, Block 2, Elite Building, Nanshan Avenue, Nanshan District, Shenzhen, PRC. TEL: +86 755 82612542 TEL: +86 755 26406156
---	--	---	---	--	--	---

	DATE	29 Jun, 15	SPECIFICATION	OLE WOLFF INTERNATIONAL	
	PAGE	2 / 8		WWW.OWOLFF.COM	
	DK	MODEL NAME: OWMB-757525S-27-15A		Rev.2	

1. SCOPE

THIS SPECIFICATION IS APPLIED TO OLE WOLFF SMD ELECTRO MAGNETIC TRANSDUCER UNIT OF MODEL: OWMB-757525S-27-15A

2. GENERAL REQUIREMENTS

OPERATING TEMPERATURE RANGE: -20°C ~ +70°C

STORAGE TEMPERATUR RANGE: -30°C ~ +80°C

3. MECHANICAL LAYOUT & DIMENSIONS

DIMENSIONS: SHOWN IN FIGURE 4.

WEIGHT:

4. ELECTRICAL CHARACTERISTICS

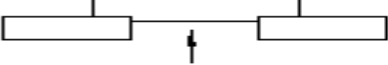
NO.	ITEM	SPECIFICATION
1	RATED VOLTAGE	3V
2	OPERATING VOLTAGE	2~4V
3	RESONANT FREQUENCY	2700Hz
4	COIL RESISTANCE	15Ω±3Ω
5	*SOUND OUTPUT (AT 10CM)	85~91dB
6	* CURRENT CONSUMPTION	≤100mA
7	CASE MATERIAL AND COLOUR	LCP / Black

*Applying rated voltage (Resonant frequency, 1/2 duty, Square wave)

OLE WOLFF ELEKTRONIK A/S Roedengvej 25 4180 Soroe Denmark TEL: +45 57833830 FAX: +45 57820019	OLEWOLFF ELECTRONICS INC. 4340 Cross Street Downers Grove, Chicago IL 60515, USA TEL: +847 962 4169 FAX: +630 852 2520	OLEWOLFF ELEKTRONIK GmbH Schulstrasse 15A. DE- 25451 Quickborn. Germany TEL: +49 (0) 4106 765900 FAX: +49 (0) 4106 627297	OLEWOLFF ELECTRONICS 3 Bedford Street, Woburn, Bedfordshire MK17 9QB, ENGLAND TEL: +44 (0) 1525 290755 FAX: +44 (0) 1525 290855	OLEWOLFF ELEKTRONIK Yliopistonkatu 26A, P.O. Box 257, FIN-40101 Jyväskylä, FINLAND TEL: +358 14 338 3050 FAX: +358 14 338 3059	OLE WOLFF (ASIA) LTD. Unit B, 19/F., Bold Win Ind. Bldg., No. 16-18 Wah Sing St., Kwai Chung, N.T., H.K. TEL: +852 2424 3274 FAX: +852 2424 2219	OLE WOLFF LTD. Unit 7A08, Block 2, Elite Building, Nanshan Avenue, Nanshan District, Shenzhen, PRC. TEL: +86 755 82612542 TEL: +86 755 26406156
---	--	---	---	--	--	---

	DATE	29 Jun, 15	SPECIFICATION	OLE WOLFF INTERNATIONAL	
	PAGE	3 / 8		WWW.OWOLFF.COM	
	DK	MODEL NAME: OWMB-757525S-27-15A		Rev.2	

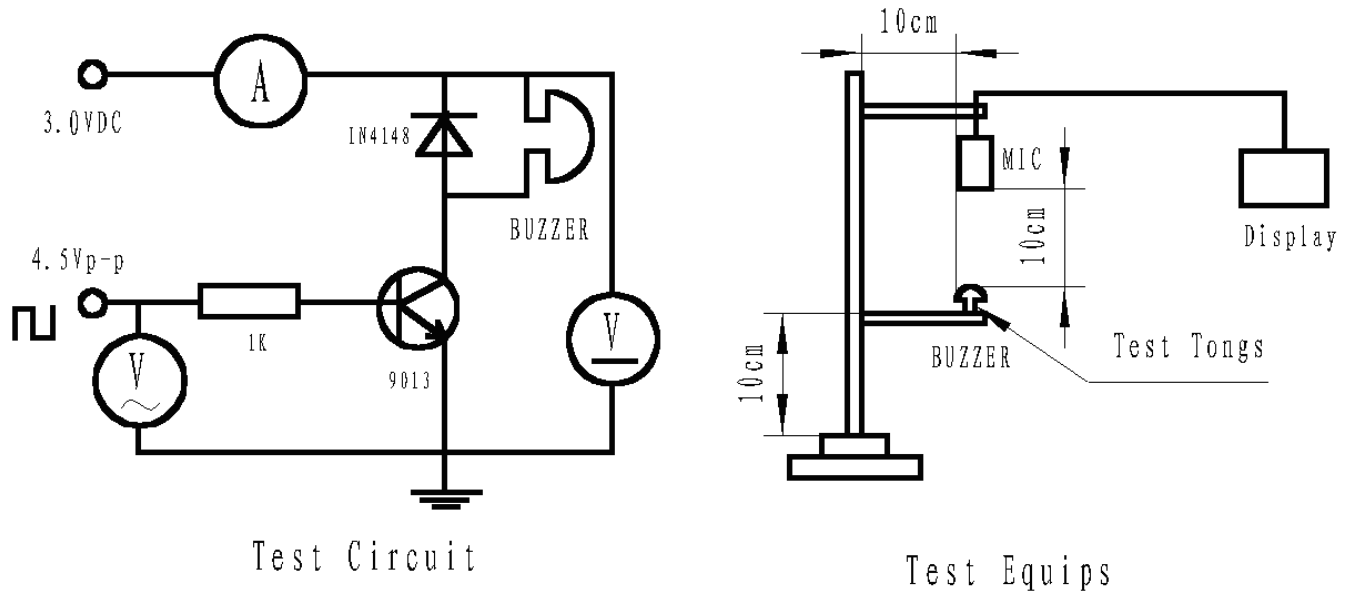
5. RELIABILITY TEST

<p>- AFTER TEST After the test the part shall meet specifications without any degradation in appearance and performance except SPL shall be initial value $\pm 10\text{dB}$ or more.</p>	
<p>5.1 HIGH TEMPERATURE STORAGE LIFE TEST High temperature : $+80^{\circ}\text{C}$ Duration : 120Hours</p>	
<p>5.2 LOW TEMPERATURE STORAGE LIFE TEST Low temperature : -30°C Duration : 120 Hours</p>	
<p>5.3 TEMPERATURE CYCLE TEST Temperature : $-30\pm 2^{\circ}\text{C}$ → $20\pm 5^{\circ}\text{C}$ → $+80\pm 2^{\circ}\text{C}$ → $20\pm 5^{\circ}\text{C}$ Duration : 30 min 15 min 30 min 15 min Cycle : 5 cycles</p>	
<p>5.4 HUMIDITY TEST Temperature : $30\pm 2^{\circ}\text{C}$ Relative Humidity : 90~95% RH, Duration : 120 hours</p>	
<p>5.5 Drop Test Height : 700mm Drop Surface : 10mm thick wooden board Direction : 2 directions-upper and side of the part are to be applied.</p>	
<p>5.6 VIBRATION TEST Power : 10Hz (sweep time) Amplitude : 1.52mm(9.3g) Direction : 2 hours per plane in each three mutually perpendicular planes for a total time of 6 hours</p>	
<p>5.7 SHOCK TEST Sounder shall be measured after being applied shock (980m/s^3) for each three mutually perpendicular directions to each of 3 times by half sine wave.</p>	
<p>5.8 LEAD PULL The part shall be pushed with a force of 9.8N for 10 ± 1 seconds behind the part.</p>  <p>After the test part shall meet specifications without any degradation in appearance and performance.</p>	
<p>5.9 RECOMMENDED TEMP. PROFILE FOR REFLOW OVEN Shown in Fig.3</p>	
<p>Warranty: For a period of one year from date of manufacture under normal operations.</p>	

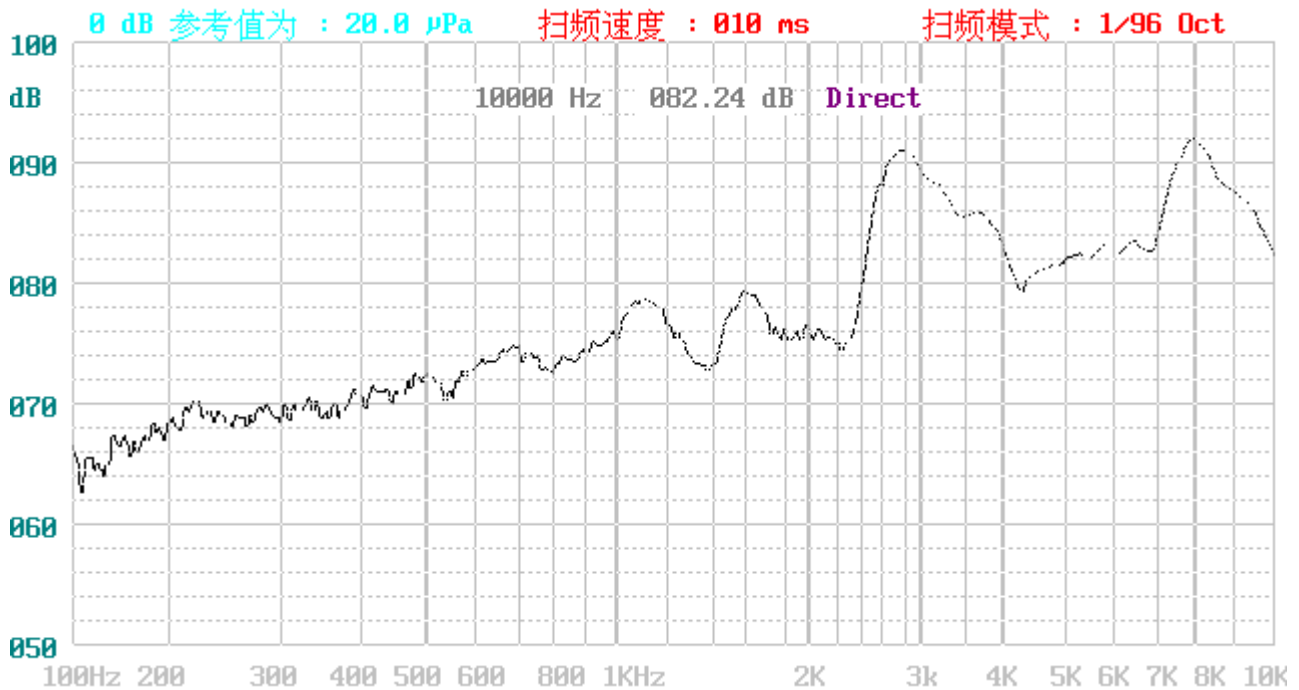
OLE WOLFF ELEKTRONIK A/S Roedengvej 25 4180 Soroe Denmark TEL: +45 57833830 FAX: +45 57820019	OLEWOLFF ELECTRONICS INC. 4340 Cross Street Downers Grove, Chicago IL 60515, USA TEL: +847 962 4169 FAX: +630 852 2520	OLEWOLFF ELEKTRONIK GmbH Schulstrasse 15A, DE- 25451 Quickborn, Germany TEL: +49 (0) 4106 765900 FAX: +49 (0) 4106 627297	OLEWOLFF ELECTRONICS 3 Bedford Street, Woburn, Bedfordshire MK17 9QB, ENGLAND TEL: +44 (0) 1525 290755 FAX: +44 (0) 1525 290855	OLEWOLFF ELEKTRONIK Yliopistonkatu 26A, P.O. Box 257, FIN-40101 Jyväskylä, FINLAND TEL: +358 14 338 3050 FAX: +358 14 338 3059	OLE WOLFF (ASIA) LTD. Unit B, 19/F., Bold Win Ind. Bldg., No. 16-18 Wah Sing St., Kwai Chung, N.T., H.K. TEL: +852 2424 3274 FAX: +852 2424 2219	OLE WOLFF LTD. Unit 7A08, Block 2, Elite Building, Nanshan Avenue, Nanshan District, Shenzhen, PRC. TEL: +86 755 82612542 TEL: +86 755 26406156
---	--	---	---	--	--	---

	DATE	29 Jun, 15	SPECIFICATION	OLE WOLFF INTERNATIONAL	
	PAGE	4 / 8		WWW.OWOLFF.COM	
	DK	MODEL NAME: OWMB-757525S-27-15A		Rev.2	

6. TEST METHOD (Figure 1)



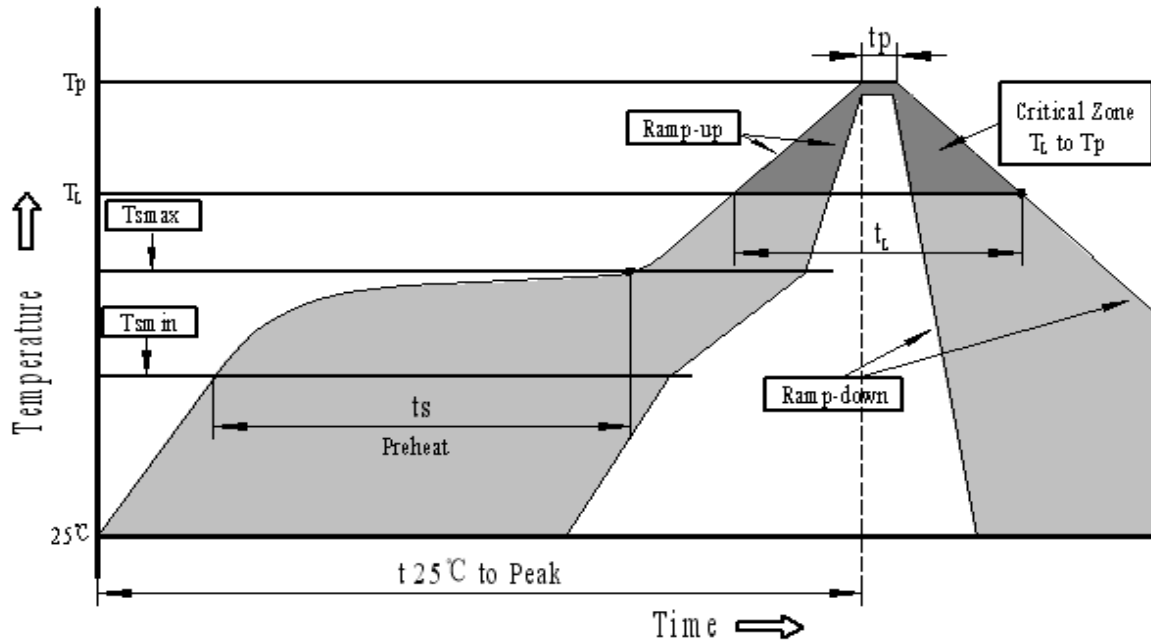
7. FREQUENCY RESPONSE (Figure 2)



OLE WOLFF ELEKTRONIK A/S Roedengvej 25 4180 Soroe Denmark TEL: +45 57833830 FAX: +45 57820019	OLEWOLFF ELECTRONICS INC. 4340 Cross Street Downers Grove, Chicago IL 60515, USA TEL: +847 962 4169 FAX: +630 852 2520	OLEWOLFF ELEKTRONIK GmbH Schulstrasse 15A, DE- 25451 Quickborn, Germany TEL: +49 (0) 4106 765900 FAX: +49 (0) 4106 627297	OLEWOLFF ELECTRONICS 3 Bedford Street, Woburn, Bedfordshire MK17 9QB, ENGLAND TEL: +44 (0) 1525 290755 FAX: +44 (0) 1525 290855	OLEWOLFF ELEKTRONIK Yliopistonkatu 26A, P.O. Box 257, FIN-40101 Jyväskylä, FINLAND TEL: +358 14 338 3050 FAX: +358 14 338 3059	OLE WOLFF (ASIA) LTD. Unit B, 19/F., Bold Win Ind. Bldg., No. 16-18 Wah Sing St., Kwai Chung, N.T., H.K. TEL: +852 2424 3274 FAX: +852 2424 2219	OLE WOLFF LTD. Unit 7A08, Block 2, Elite Building, Nanshan Avenue, Nanshan District, Shenzhen, PRC. TEL: +86 755 82612542 TEL: +86 755 26406156
---	--	---	---	--	--	---

	DATE	29 Jun, 15	SPECIFICATION	OLE WOLFF INTERNATIONAL	
	PAGE	5 / 8		WWW.OWOLFF.COM	
	DK	MODEL NAME: OWMB-757525S-27-15A			Rev.2

8. RECOMMENDED TEMP. PROFILE FOR REFLOW OVEN (Figure 3)



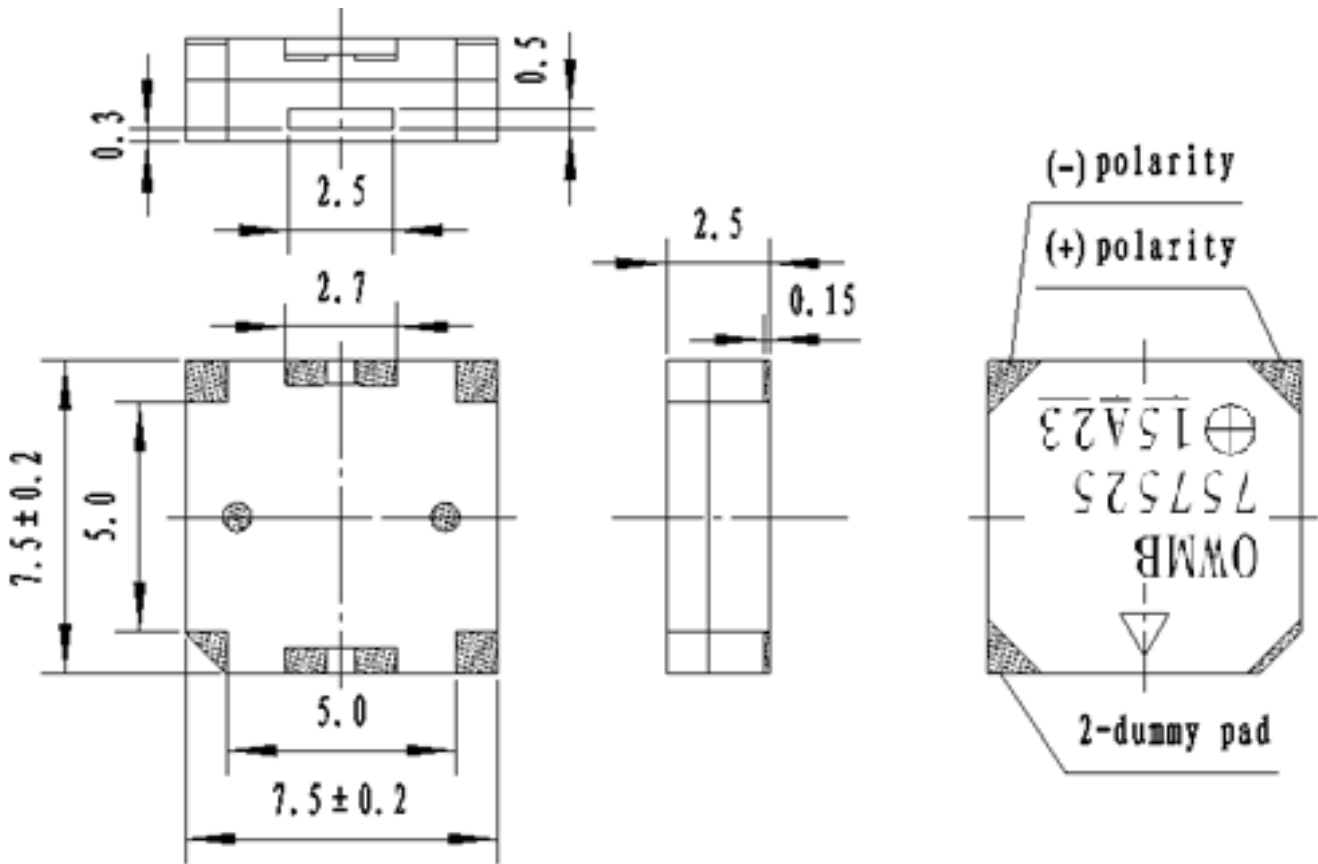
Profile Feature	Pb-Free Assembly
Average ramp-up rate(T_L to T_p)	3°C/second max.
Preheat	
-Temperature Min.(T_{Smin})	150°C
-Temperature Min.(T_{Smax})	200°C
-Temperature Min.(t_s)	60~180 seconds
T_{Smax} to T_L	
-Ramp-up Rate	3°C/second max.
Time maintained above:	
- Temperature(T_L)	217°C
-Time(T_L)	60~150 seconds
Peak temperature(T_p)	250°C+0/-5°C
Time within 5°C of actual Peak temperature (t_p)	6 seconds max.
Ramp-down Rate	6°C/second max.
Time 25°C to Peak Temperature	8 minutes max.

OLE WOLFF ELEKTRONIK A/S Roedengvej 25 4180 Soroe Denmark TEL: +45 57833830 FAX: +45 57820019	OLEWOLFF ELECTRONICS INC. 4340 Cross Street Downers Grove, Chicago IL 60515, USA TEL: +847 962 4169 FAX: +630 852 2520	OLEWOLFF ELEKTRONIK GmbH Schulstrasse 15A, DE- 25451 Quickborn, Germany TEL: +49 (0) 4106 765900 FAX: +49 (0) 4106 627297	OLEWOLFF ELECTRONICS 3 Bedford Street, Woburn, Bedfordshire MK17 9QB, ENGLAND TEL: +44 (0) 1525 290755 FAX: +44 (0) 1525 290855	OLEWOLFF ELEKTRONIK Yliopistonkatu 26A, P.O. Box 257, FIN-40101 Jyväskylä, FINLAND TEL: +358 14 338 3050 FAX: +358 14 338 3059	OLE WOLFF (ASIA) LTD. Unit B, 19/F., Bold Win Ind. Bldg., No. 16-18 Wah Sing St., Kwai Chung, N.T., H.K. TEL: +852 2424 3274 FAX: +852 2424 2219	OLE WOLFF LTD. Unit 7A08, Block 2, Elite Building, Nanshan Avenue, Nanshan District, Shenzhen, PRC. TEL: +86 755 82612542 TEL: +86 755 26406156
---	--	---	---	--	--	---

	DATE	29 Jun, 15	SPECIFICATION	OLE WOLFF INTERNATIONAL	
	PAGE	6 / 8		WWW.OWOLFF.COM	
	<i>DK</i>	<i>MODEL NAME: OWMB-757525S-27-15A</i>		<i>Rev.2</i>	

9. DIMENSIONS (Figure 4)

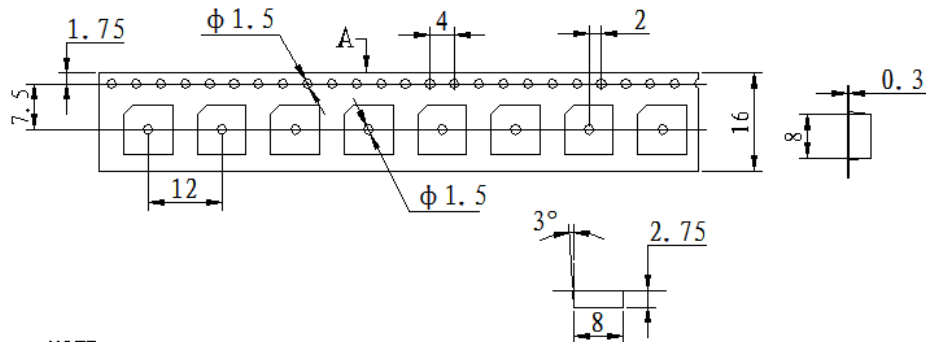
Tolerance: $\pm 0.5\text{mm}$ Except Specified Unit: mm



OLE WOLFF ELEKTRONIK A/S Roedengvej 25 4180 Soroe Denmark TEL: +45 57833830 FAX: +45 57820019	OLEWOLFF ELECTRONICS INC. 4340 Cross Street Downers Grove, Chicago IL 60515, USA TEL : +847 962 4169 FAX : +630 852 2520	OLEWOLFF ELEKTRONIK GmbH Schulstrasse 15A. DE- 25451 Quickborn. Germany TEL: +49 (0) 4106 765900 FAX: +49 (0) 4106 627297	OLEWOLFF ELECTRONICS 3 Bedford Street, Woburn, Bedfordshire MK17 9QB, ENGLAND TEL: +44 (0) 1525 290755 FAX: +44 (0) 1525 290855	OLEWOLFF ELEKTRONIK Yliopistonkatu 26A, P.O. Box 257, FIN-40101 Jyväskylä, FINLAND TEL: +358 14 338 3050 FAX: +358 14 338 3059	OLE WOLFF (ASIA) LTD. Unit B, 19/F., Bold Win Ind. Bldg., No. 16-18 Wah Sing St., Kwai Chung, N.T., H.K. TEL: +852 2424 3274 FAX: +852 2424 2219	OLE WOLFF LTD. Unit 7A08, Block 2, Elite Building, Nanshan Avenue, Nanshan District, Shenzhen, PRC. TEL: +86 755 82612542 TEL: +86 755 26406156
---	--	---	---	--	--	---

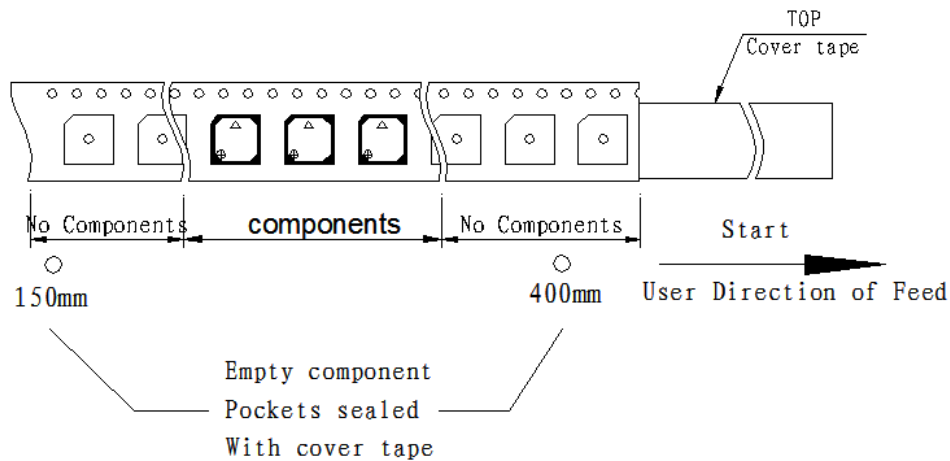
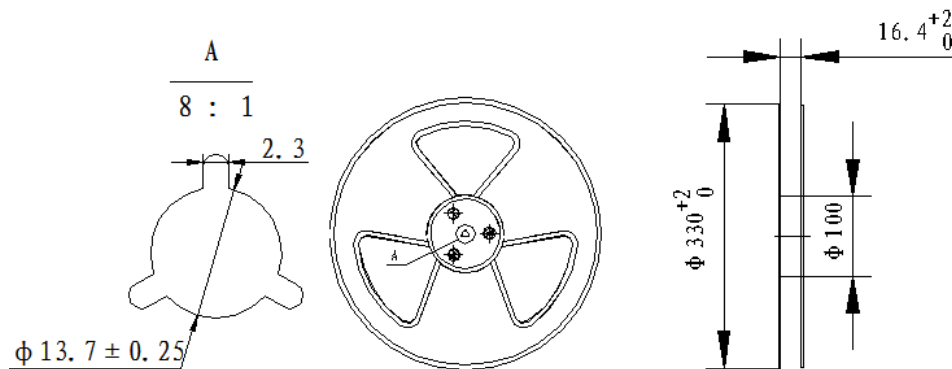
	DATE	29 Jun, 15	SPECIFICATION	OLE WOLFF INTERNATIONAL	
	PAGE	7 / 8		WWW.OWOLFF.COM	
	DK	MODEL NAME: OWMB-757525S-27-15A			Rev.2

10. PACKING (Figure 5)



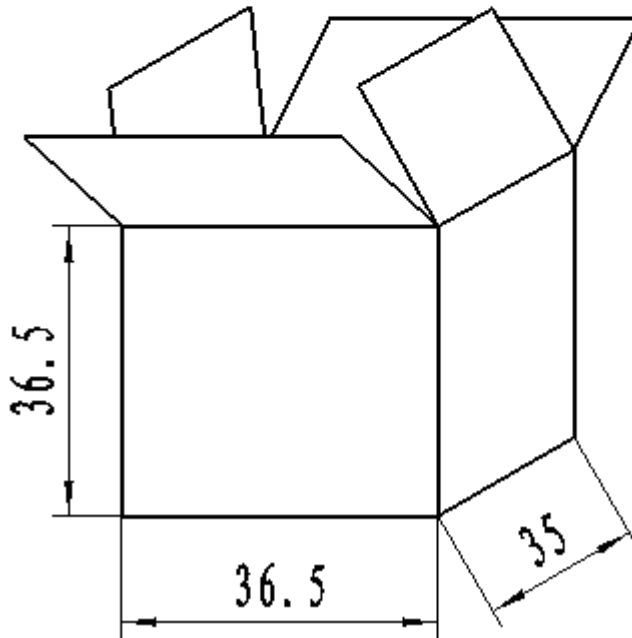
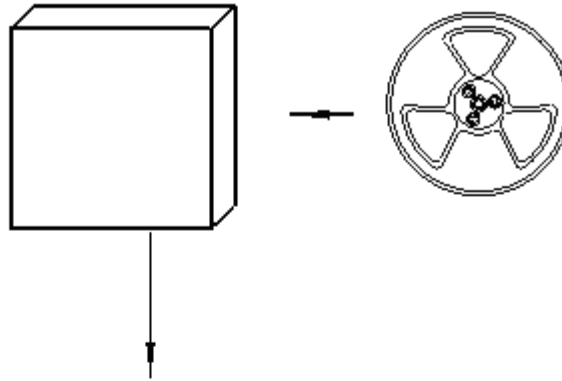
NOTE:

1. 10 sprocket hole pitch cumulative tolerance $\pm 0.20\text{mm}$.
2. All dimensions meet EIA-481-D requirements.
3. Thickness: $0.3 \pm 0.05\text{mm}$.
4. Component loaded per 13" reel: 1000pcs.



OLE WOLFF ELEKTRONIK A/S Roedengvej 25 4180 Soroe Denmark TEL: +45 57833830 FAX: +45 57820019	OLEWOLFF ELECTRONICS INC. 4340 Cross Street Downers Grove, Chicago IL 60515, USA TEL: +847 962 4169 FAX: +630 852 2520	OLEWOLFF ELEKTRONIK GmbH Schulstrasse 15A, DE- 25451 Quickborn, Germany TEL: +49 (0) 4106 765900 FAX: +49 (0) 4106 627297	OLEWOLFF ELECTRONICS 3 Bedford Street, Woburn, Bedfordshire MK17 9QB, ENGLAND TEL: +44 (0) 1525 290755 FAX: +44 (0) 1525 290855	OLEWOLFF ELEKTRONIK Yliopistonkatu 26A, P.O. Box 257, FIN-40101 Jyväskylä, FINLAND TEL: +358 14 338 3050 FAX: +358 14 338 3059	OLE WOLFF (ASIA) LTD. Unit B, 19/F., Bold Win Ind. Bldg., No. 16-18 Wah Sing St., Kwai Chung, N.T., H.K. TEL: +852 2424 3274 FAX: +852 2424 2219	OLE WOLFF LTD. Unit 7A08, Block 2, Elite Building, Nanshan Avenue, Nanshan District, Shenzhen, PRC. TEL: +86 755 82612542 TEL: +86 755 26406156
---	--	---	---	--	--	---

	DATE	29 Jun, 15	SPECIFICATION	OLE WOLFF INTERNATIONAL	
	PAGE	8 / 8		WWW.OWOLFF.COM	
	DK	MODEL NAME: OWMB-757525S-27-15A			Rev.2



- NOTES:
- 1.1000 PCS per box
 - 2.Total 10 boxes per carton
 - 3.Total 10000 PCS carton

OLE WOLFF ELEKTRONIK A/S Roedengvej 25 4180 Soroe Denmark TEL: +45 57833830 FAX: +45 57820019	OLEWOLFF ELECTRONICS INC. 4340 Cross Street Downers Grove, Chicago IL 60515, USA TEL : +847 962 4169 FAX : +630 852 2520	OLEWOLFF ELEKTRONIK GmbH Schulstrasse 15A. DE- 25451 Quickborn. Germany TEL: +49 (0) 4106 765900 FAX: +49 (0) 4106 627297	OLEWOLFF ELECTRONICS 3 Bedford Street, Woburn, Bedfordshire MK17 9QB, ENGLAND TEL: +44 (0) 1525 290755 FAX: +44 (0) 1525 290855	OLEWOLFF ELEKTRONIK Yliopistonkatu 26A, P.O. Box 257, FIN-40101 Jyväskylä, FINLAND TEL: +358 14 338 3050 FAX: +358 14 338 3059	OLE WOLFF (ASIA) LTD. Unit B, 19/F., Bold Win Ind. Bldg., No. 16-18 Wah Sing St., Kwai Chung, N.T., H.K. TEL: +852 2424 3274 FAX: +852 2424 2219	OLE WOLFF LTD. Unit 7A08, Block 2, Elite Building, Nanshan Avenue, Nanshan District, Shenzhen, PRC. TEL: +86 755 82612542 TEL: +86 755 26406156
---	--	---	---	--	--	---

Looking for pricing, stock, or lifecycle information?

Click below to explore more details on WIN SOURCE:

- ⊖ [View OWMB-757525S-27-15A on WIN SOURCE](#)
- ⊖ [Olimex LTD Information](#)

Optimize Your Supply Chain with WIN SOURCE Solutions

- ✓ Global Sourcing Solution
- ✓ Obsolete Management
- ✓ Cost Control Management
- ✓ Shortage Management
- ✓ Alternative Solution
- ✓ Excess Inventory Management