



**THE DATASHEET OF**  
**1554901-1**

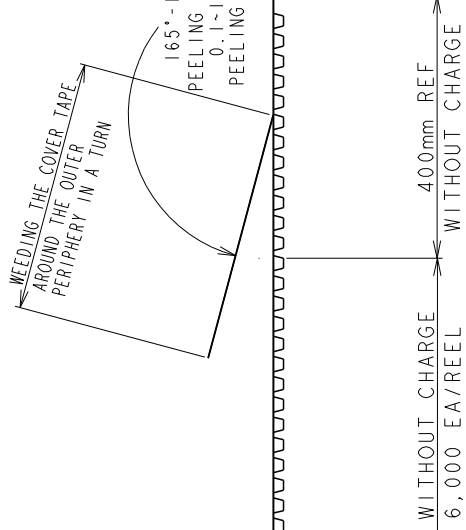
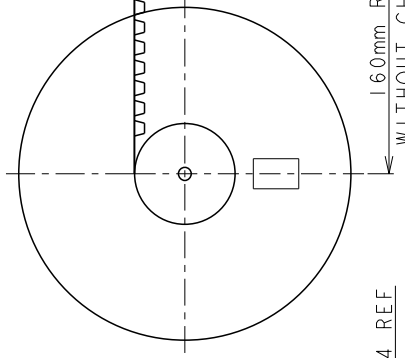
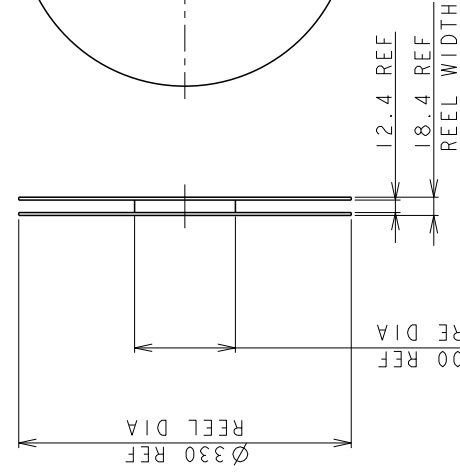
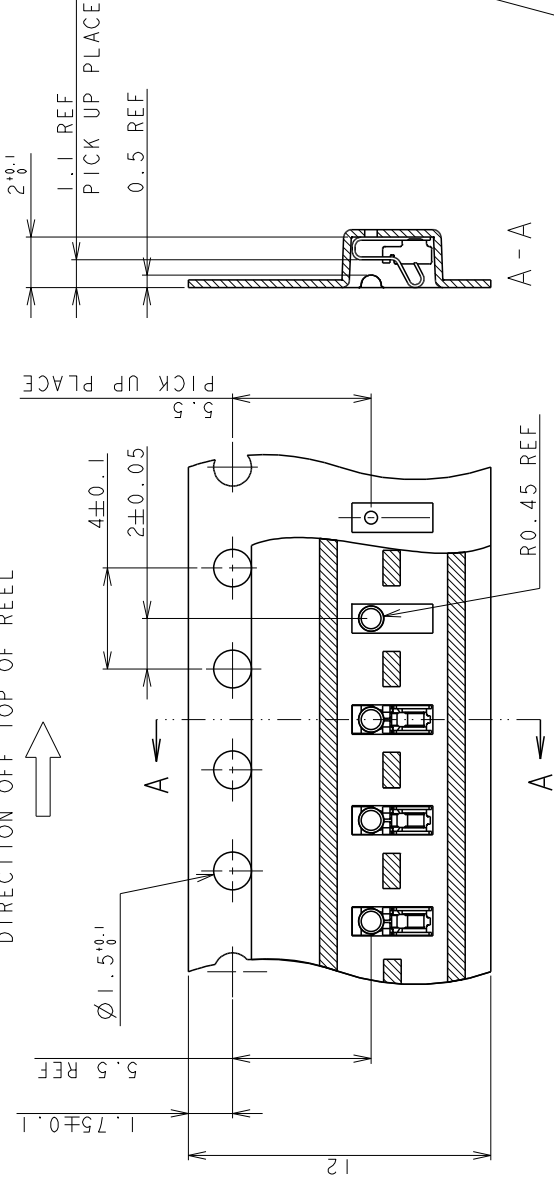




LOC J  
 DIST -

P LTR -  
 SEE SHEET 1

DIRECTION OFF TOP OF REEL



WITHOUT CHARGE  
 6,000 EA/REEL  
 WITHOUT CHARGE  
 400mm REF  
 WITHOUT CHARGE

FLANGE CORE DIA  
 Ø100 REF

12.4 REF  
 18.4 REF  
 REEL WIDTH

160mm REF  
 WITHOUT CHARGE

THIS DRAWING IS A CONTROLLED DOCUMENT.

TOLERANCES UNLESS OTHERWISE SPECIFIED:

- 0-PLC ±0.2
- 1-PLC ±0.5
- 2-PLC ±0.13
- 3-PLC ±0.013
- 4-PLC ±0.0063

ANGLES

±3

FINISH

MATERIAL

Ø

mm

DIMENSIONS:

mm

Ø

mm

MATERIAL

FINISH

ANGLES

±3

TOLERANCES UNLESS OTHERWISE SPECIFIED:

0-PLC ±0.2

1-PLC ±0.5

2-PLC ±0.13

3-PLC ±0.013

4-PLC ±0.0063

ANGLES

±3

FINISH

MATERIAL

mm

Ø

mm

DIMENSIONS:

THIS DRAWING IS A CONTROLLED DOCUMENT.

DWN Y. KUDO 06NOV2009

CHK C. OHASHI 06NOV2009

APVD Y. NAKAZAWA 06NOV2009

PRODUCT SPEC 100-7874

APPLICATION SPEC

NAME SHI

SIZE

CAGE CODE A30077

WEIGHT 0.0098 g

Customer Drawing

## Looking for pricing, stock, or lifecycle information?

Click below to explore more details on WIN SOURCE:

 [View 1554901-1](#) on WIN SOURCE

 [TE Connectivity](#) Information

## Optimize Your Supply Chain with WIN SOURCE Solutions

-  Global Sourcing Solution
-  Obsolete Management
-  Cost Control Management
-  Shortage Management
-  Alternative Solution
-  Excess Inventory Management