



**THE DATASHEET OF  
74AC11240PW**

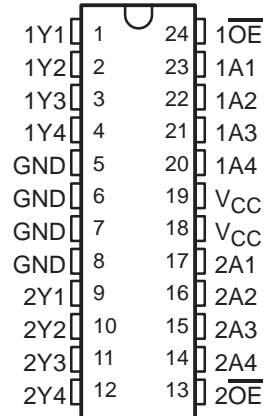


# 74AC11240 OCTAL BUFFER/LINE DRIVER WITH 3-STATE OUTPUTS

SCAS448A – MAY 1987 – REVISED APRIL 1996

- Flow-Through Architecture Optimizes PCB Layout
- Center-Pin  $V_{CC}$  and GND Configurations Minimize High-Speed Switching Noise
- EPIC™ (Enhanced-Performance Implanted CMOS) 1- $\mu$ m Process
- 500-mA Typical Latch-Up Immunity at 125°C
- Package Options Include Plastic Small-Outline (DW) and Shrink Small-Outline (DB) Packages, and Standard Plastic 300-mil DIPs (NT)

DB, DW, OR NT PACKAGE  
(TOP VIEW)



## description

This octal buffer/line driver is designed specifically to improve both the performance and density of 3-state memory address drivers, clock drivers, and bus-oriented receivers and transmitters. This device provides inverting outputs and symmetrical active-low output-enable ( $\overline{OE}$ ) inputs. This device features high fan-out and improved fan-in.

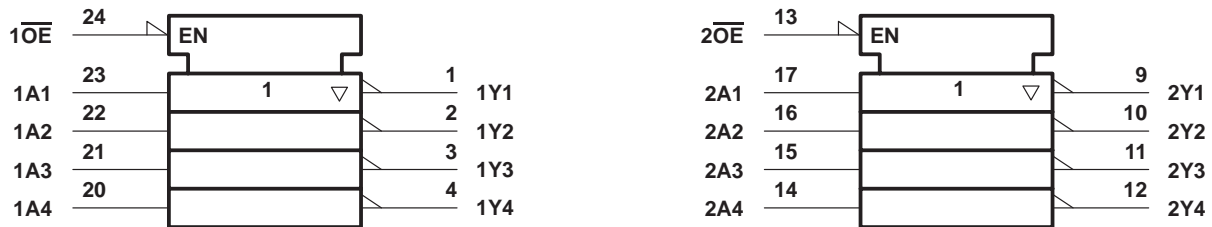
The 74AC11240 is organized as two 4-bit buffers/line drivers with separate  $\overline{OE}$  inputs. When  $\overline{OE}$  is low, the device passes inverted data from the A inputs to the Y outputs. When  $\overline{OE}$  is high, the outputs are in the high-impedance state.

The 74AC11240 is characterized for operation from  $-40^{\circ}\text{C}$  to  $85^{\circ}\text{C}$ .

FUNCTION TABLE  
(each buffer)

| INPUTS          |   | OUTPUT |
|-----------------|---|--------|
| $\overline{OE}$ | A | Y      |
| L               | H | L      |
| L               | L | H      |
| H               | X | Z      |

## logic symbol†



† This symbol is in accordance with ANSI/IEEE Std 91-1984 and IEC Publication 617-12.



Please be aware that an important notice concerning availability, standard warranty, and use in critical applications of Texas Instruments semiconductor products and disclaimers thereto appears at the end of this data sheet.

EPIC is a trademark of Texas Instruments Incorporated.

PRODUCTION DATA information is current as of publication date. Products conform to specifications per the terms of Texas Instruments standard warranty. Production processing does not necessarily include testing of all parameters.

**TEXAS  
INSTRUMENTS**

POST OFFICE BOX 655303 • DALLAS, TEXAS 75265

Copyright © 1996, Texas Instruments Incorporated

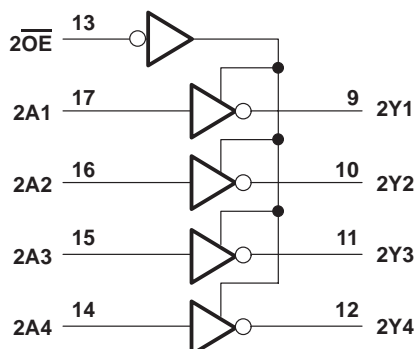
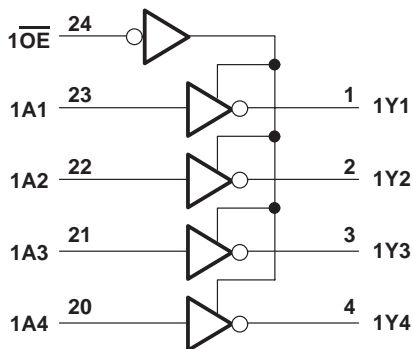
# 74AC11240

## OCTAL BUFFER/LINE DRIVER

### WITH 3-STATE OUTPUTS

SCAS448A – MAY 1987 – REVISED APRIL 1996

#### logic diagram (positive logic)



#### absolute maximum ratings over operating free-air temperature range (unless otherwise noted)†

|  |  |
|--|--|
| Supply voltage range, $V_{CC}$ .....   | -0.5 V to 6 V                              |
| Input voltage range, $V_I$ (see Note 1) .....                                      | -0.5 V to $V_{CC} + 0.5$ V                 |
| Output voltage range, $V_O$ (see Note 1) .....                                     | -0.5 V to $V_{CC} + 0.5$ V                 |
| Input clamp current, $I_{IK}$ ( $V_I < 0$ or $V_I > V_{CC}$ ) .....                | $\pm 20$ mA                                |
| Output clamp current, $I_{OK}$ ( $V_O < 0$ or $V_O > V_{CC}$ ) .....               | $\pm 50$ mA                                |
| Continuous output current, $I_O$ ( $V_O = 0$ to $V_{CC}$ ) .....                   | $\pm 50$ mA                                |
| Continuous current through $V_{CC}$ or GND .....                                   | $\pm 200$ mA                               |
| Maximum power dissipation at $T_A = 55^\circ\text{C}$ (in still air) (see Note 2): |  |
| DB package .....   | 0.65 W                                     |
| DW package .....   | 1.7 W                                      |
| NT package .....   | 1.3 W                                      |
| Storage temperature range, $T_{stg}$ .....   | $-65^\circ\text{C}$ to $150^\circ\text{C}$ |

† Stresses beyond those listed under "absolute maximum ratings" may cause permanent damage to the device. These are stress ratings only, and functional operation of the device at these or any other conditions beyond those indicated under "recommended operating conditions" is not implied. Exposure to absolute-maximum-rated conditions for extended periods may affect device reliability.

- NOTES: 1. The input and output voltage ratings may be exceeded if the input and output current ratings are observed.  
 2. The maximum package power dissipation is calculated using a junction temperature of  $150^\circ\text{C}$  and a board trace length of 750 mils, except for the NT package, which has a trace length of zero.

**recommended operating conditions**

|                 |                                    | MIN                     | NOM             | MAX | UNIT |
|-----------------|------------------------------------|-------------------------|-----------------|-----|------|
| V <sub>CC</sub> | Supply voltage                     | 3                       | 5               | 5.5 | V    |
| V <sub>IH</sub> | High-level input voltage           | V <sub>CC</sub> = 3 V   | 2.1             |     | V    |
|                 |                                    | V <sub>CC</sub> = 4.5 V | 3.15            |     |      |
|                 |                                    | V <sub>CC</sub> = 5.5 V | 3.85            |     |      |
| V <sub>IL</sub> | Low-level input voltage            | V <sub>CC</sub> = 3 V   | 0.9             |     | V    |
|                 |                                    | V <sub>CC</sub> = 4.5 V | 1.35            |     |      |
|                 |                                    | V <sub>CC</sub> = 5.5 V | 1.65            |     |      |
| V <sub>I</sub>  | Input voltage                      | 0                       | V <sub>CC</sub> |     | V    |
| V <sub>O</sub>  | Output voltage                     | 0                       | V <sub>CC</sub> |     | V    |
| I <sub>OH</sub> | High-level output current          | V <sub>CC</sub> = 3 V   | -4              |     | mA   |
|                 |                                    | V <sub>CC</sub> = 4.5 V | -24             |     |      |
|                 |                                    | V <sub>CC</sub> = 5.5 V | -24             |     |      |
| I <sub>OL</sub> | Low-level output current           | V <sub>CC</sub> = 3 V   | 12              |     | mA   |
|                 |                                    | V <sub>CC</sub> = 4.5 V | 24              |     |      |
|                 |                                    | V <sub>CC</sub> = 5.5 V | 24              |     |      |
| Δt/Δv           | Input transition rise or fall rate | OE                      | 0               | 5   | ns/V |
|                 |                                    | Data                    | 0               | 10  |      |
| T <sub>A</sub>  | Operating free-air temperature     | -40                     | 85              |     | °C   |

**electrical characteristics over recommended operating free-air temperature range (unless otherwise noted)**

| PARAMETER                             | TEST CONDITIONS   | V <sub>CC</sub> | T <sub>A</sub> = 25°C |     |      | MIN  | MAX | UNIT |
|---------------------------------------|---|-----------------|-----------------------|-----|------|------|-----|------|
|                                       |   |                 | MIN                   | TYP | MAX  |      |     |      |
| V <sub>OH</sub>                       | I <sub>OH</sub> = -50 μA                                    | 3 V             | 2.9                   |     |      | 2.9  |     | V    |
|                                       |   | 4.5 V           | 4.4                   |     |      | 4.4  |     |      |
|                                       |   | 5.5 V           | 5.4                   |     |      | 5.4  |     |      |
|                                       | I <sub>OH</sub> = -4 mA                                     | 3 V             | 2.58                  |     |      | 2.48 |     |      |
|                                       |   | 4.5 V           | 3.94                  |     |      | 3.8  |     |      |
|                                       |   | 5.5 V           | 4.94                  |     |      | 4.8  |     |      |
| I <sub>OH</sub> = -75 mA <sup>†</sup> | 5.5 V   |                 |                       |     | 3.85 |      |     |      |
| V <sub>OL</sub>                       | I <sub>OL</sub> = 50 μA                                     | 3 V             | 0.1                   |     |      | 0.1  |     | V    |
|                                       |   | 4.5 V           | 0.1                   |     |      | 0.1  |     |      |
|                                       |   | 5.5 V           | 0.1                   |     |      | 0.1  |     |      |
|                                       | I <sub>OL</sub> = 12 mA                                     | 3 V             | 0.36                  |     |      | 0.44 |     |      |
|                                       |   | 4.5 V           | 0.36                  |     |      | 0.44 |     |      |
|                                       |   | 5.5 V           | 0.36                  |     |      | 0.44 |     |      |
| I <sub>OL</sub> = 75 mA <sup>†</sup>  | 5.5 V   |                 |                       |     | 1.65 |      |     |      |
| I <sub>OZ</sub>                       | V <sub>O</sub> = V <sub>CC</sub> or GND                     | 5.5 V           | ±0.5                  |     |      | ±5   |     | μA   |
| I <sub>I</sub>                        | V <sub>I</sub> = V <sub>CC</sub> or GND                     | 5.5 V           | ±0.1                  |     |      | ±1   |     | μA   |
| I <sub>CC</sub>                       | V <sub>I</sub> = V <sub>CC</sub> or GND, I <sub>O</sub> = 0 | 5.5 V           | 8                     |     |      | 80   |     | μA   |
| C <sub>i</sub>                        | V <sub>I</sub> = V <sub>CC</sub> or GND                     | 5 V             | 4                     |     |      |      |     | pF   |
| C <sub>O</sub>                        | V <sub>O</sub> = V <sub>CC</sub> or GND                     | 5 V             | 10                    |     |      |      |     | pF   |

<sup>†</sup> Not more than one output should be tested at a time, and the duration of the test should not exceed 10 ms.

**74AC11240**  
**OCTAL BUFFER/LINE DRIVER**  
**WITH 3-STATE OUTPUTS**

SCAS448A – MAY 1987 – REVISED APRIL 1996

**switching characteristics over recommended operating free-air temperature range,  
 $V_{CC} = 3.3\text{ V} \pm 0.3\text{ V}$  (unless otherwise noted) (see Figure 1)**

| PARAMETER | FROM (INPUT)    | TO (OUTPUT) | $T_A = 25^\circ\text{C}$ |     |      | MIN | MAX  | UNIT |
|-----------|-----------------|-------------|--------------------------|-----|------|-----|------|------|
|           |                 |             | MIN                      | TYP | MAX  |     |      |      |
| $t_{PLH}$ | A               | Y           | 1.5                      | 7.6 | 10.5 | 1.5 | 11.7 | ns   |
| $t_{PHL}$ |                 |             | 1.5                      | 6.3 | 8.6  | 1.5 | 9.5  |      |
| $t_{PZH}$ | $\overline{OE}$ | Y           | 1.5                      | 8.2 | 11.6 | 1.5 | 12.7 | ns   |
| $t_{PZL}$ |                 |             | 1.5                      | 7.6 | 10.8 | 1.5 | 12   |      |
| $t_{PHZ}$ | $\overline{OE}$ | Y           | 1.5                      | 5.5 | 7.5  | 1.5 | 7.8  | ns   |
| $t_{PLZ}$ |                 |             | 1.5                      | 6.7 | 9.4  | 1.5 | 9.8  |      |

**switching characteristics over recommended operating free-air temperature range,  
 $V_{CC} = 5\text{ V} \pm 0.5\text{ V}$  (unless otherwise noted) (see Figure 1)**

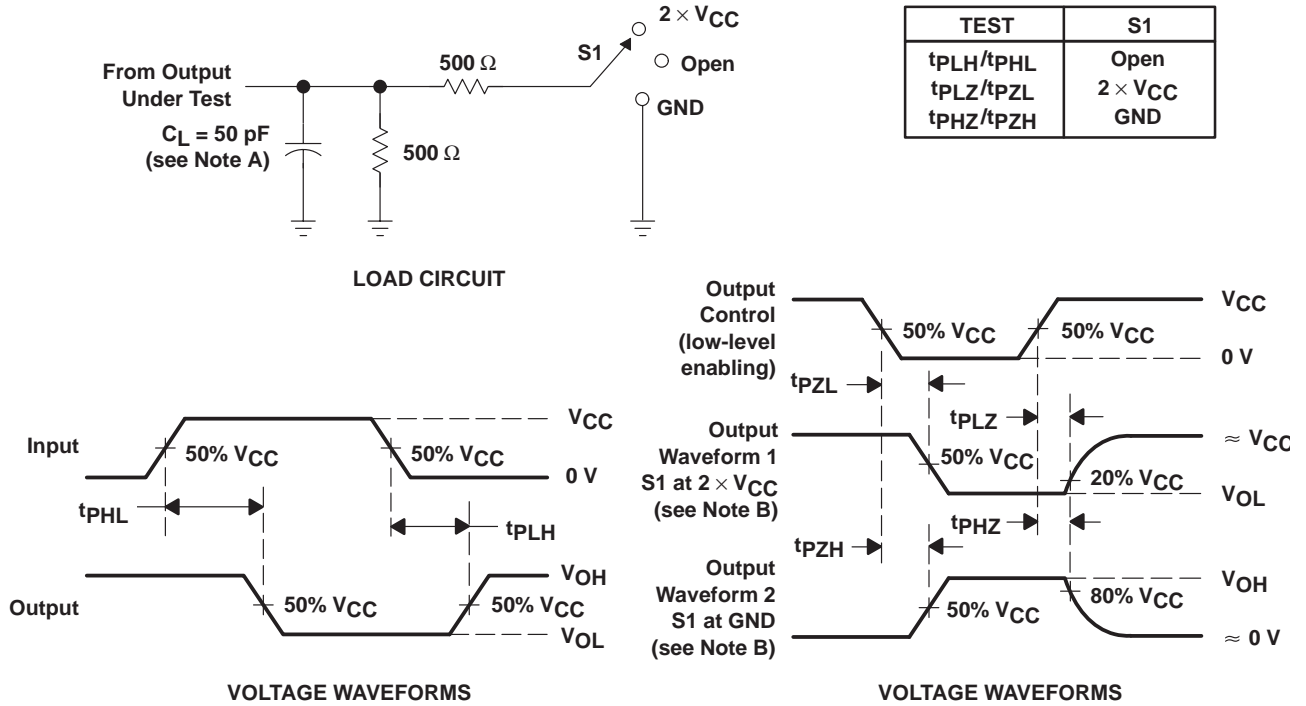
| PARAMETER | FROM (INPUT)    | TO (OUTPUT) | $T_A = 25^\circ\text{C}$ |     |     | MIN | MAX | UNIT |
|-----------|-----------------|-------------|--------------------------|-----|-----|-----|-----|------|
|           |                 |             | MIN                      | TYP | MAX |     |     |      |
| $t_{PLH}$ | A               | Y           | 1.5                      | 5.4 | 7.5 | 1.5 | 8.4 | ns   |
| $t_{PHL}$ |                 |             | 1.5                      | 4.6 | 6.6 | 1.5 | 7.2 |      |
| $t_{PZH}$ | $\overline{OE}$ | Y           | 1.5                      | 5.7 | 8.2 | 1.5 | 9.2 | ns   |
| $t_{PZL}$ |                 |             | 1.5                      | 5.3 | 7.7 | 1.5 | 8.7 |      |
| $t_{PHZ}$ | $\overline{OE}$ | Y           | 1.5                      | 4.7 | 6.3 | 1.5 | 6.6 | ns   |
| $t_{PLZ}$ |                 |             | 1.5                      | 5.2 | 7.3 | 1.5 | 7.7 |      |

**operating characteristics,  $V_{CC} = 5\text{ V}$ ,  $T_A = 25^\circ\text{C}$**

| PARAMETER |  | TEST CONDITIONS  | TYP | UNIT |
|-----------|--|------------------|-----|------|
| $C_{pd}$  | Power dissipation capacitance per buffer | Outputs enabled  | 39  | pF   |
|           |  | Outputs disabled | 12  |      |



**PARAMETER MEASUREMENT INFORMATION**



- NOTES: A.  $C_L$  includes probe and jig capacitance.  
 B. Waveform 1 is for an output with internal conditions such that the output is low except when disabled by the output control. Waveform 2 is for an output with internal conditions such that the output is high except when disabled by the output control.  
 C. All input pulses are supplied by generators having the following characteristics:  $PRR \leq 1 \text{ MHz}$ ,  $Z_O = 50 \Omega$ ,  $t_r = 3 \text{ ns}$ ,  $t_f = 3 \text{ ns}$ .  
 D. The outputs are measured one at a time with one input transition per measurement.

**Figure 1. Load Circuit and Voltage Waveforms**

**PACKAGING INFORMATION**

| Orderable Device | Status<br>(1) | Package Type | Package Drawing | Pins | Package Qty | Eco Plan<br>(2) | Lead finish/<br>Ball material<br>(6) | MSL Peak Temp<br>(3) | Op Temp (°C) | Device Marking<br>(4/5) | Samples                 |
|------------------|---------------|--------------|-----------------|------|-------------|-----------------|--------------------------------------|----------------------|--------------|-------------------------|-------------------------|
| 74AC11240DBR     | ACTIVE        | SSOP         | DB              | 24   | 2000        | RoHS & Green    | NIPDAU                               | Level-1-260C-UNLIM   | -40 to 85    | AE240                   | <a href="#">Samples</a> |
| 74AC11240DW      | ACTIVE        | SOIC         | DW              | 24   | 25          | RoHS & Green    | NIPDAU                               | Level-1-260C-UNLIM   | -40 to 85    | AC11240                 | <a href="#">Samples</a> |
| 74AC11240PW      | ACTIVE        | TSSOP        | PW              | 24   | 60          | RoHS & Green    | NIPDAU                               | Level-1-260C-UNLIM   | -40 to 85    | AE240                   | <a href="#">Samples</a> |

(1) The marketing status values are defined as follows:

**ACTIVE:** Product device recommended for new designs.

**LIFEBUY:** TI has announced that the device will be discontinued, and a lifetime-buy period is in effect.

**NRND:** Not recommended for new designs. Device is in production to support existing customers, but TI does not recommend using this part in a new design.

**PREVIEW:** Device has been announced but is not in production. Samples may or may not be available.

**OBSOLETE:** TI has discontinued the production of the device.

(2) **RoHS:** TI defines "RoHS" to mean semiconductor products that are compliant with the current EU RoHS requirements for all 10 RoHS substances, including the requirement that RoHS substance do not exceed 0.1% by weight in homogeneous materials. Where designed to be soldered at high temperatures, "RoHS" products are suitable for use in specified lead-free processes. TI may reference these types of products as "Pb-Free".

**RoHS Exempt:** TI defines "RoHS Exempt" to mean products that contain lead but are compliant with EU RoHS pursuant to a specific EU RoHS exemption.

**Green:** TI defines "Green" to mean the content of Chlorine (Cl) and Bromine (Br) based flame retardants meet JS709B low halogen requirements of <=1000ppm threshold. Antimony trioxide based flame retardants must also meet the <=1000ppm threshold requirement.

(3) MSL, Peak Temp. - The Moisture Sensitivity Level rating according to the JEDEC industry standard classifications, and peak solder temperature.

(4) There may be additional marking, which relates to the logo, the lot trace code information, or the environmental category on the device.

(5) Multiple Device Markings will be inside parentheses. Only one Device Marking contained in parentheses and separated by a "~" will appear on a device. If a line is indented then it is a continuation of the previous line and the two combined represent the entire Device Marking for that device.

(6) Lead finish/Ball material - Orderable Devices may have multiple material finish options. Finish options are separated by a vertical ruled line. Lead finish/Ball material values may wrap to two lines if the finish value exceeds the maximum column width.

**Important Information and Disclaimer:**The information provided on this page represents TI's knowledge and belief as of the date that it is provided. TI bases its knowledge and belief on information provided by third parties, and makes no representation or warranty as to the accuracy of such information. Efforts are underway to better integrate information from third parties. TI has taken and continues to take reasonable steps to provide representative and accurate information but may not have conducted destructive testing or chemical analysis on incoming materials and chemicals. TI and TI suppliers consider certain information to be proprietary, and thus CAS numbers and other limited information may not be available for release.

In no event shall TI's liability arising out of such information exceed the total purchase price of the TI part(s) at issue in this document sold by TI to Customer on an annual basis.

**TAPE AND REEL INFORMATION**

**QUADRANT ASSIGNMENTS FOR PIN 1 ORIENTATION IN TAPE**

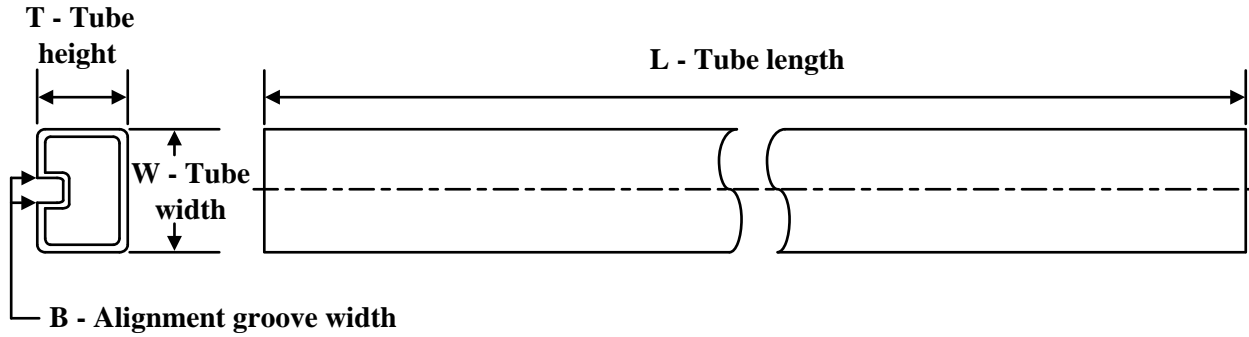

\*All dimensions are nominal

| Device       | Package Type | Package Drawing | Pins | SPQ  | Reel Diameter (mm) | Reel Width W1 (mm) | A0 (mm) | B0 (mm) | K0 (mm) | P1 (mm) | W (mm) | Pin1 Quadrant |
|--------------|--------------|-----------------|------|------|--------------------|--------------------|---------|---------|---------|---------|--------|---------------|
| 74AC11240DBR | SSOP         | DB              | 24   | 2000 | 330.0              | 16.4               | 8.2     | 8.8     | 2.5     | 12.0    | 16.0   | Q1            |

**TAPE AND REEL BOX DIMENSIONS**


\*All dimensions are nominal

| Device       | Package Type | Package Drawing | Pins | SPQ  | Length (mm) | Width (mm) | Height (mm) |
|--------------|--------------|-----------------|------|------|-------------|------------|-------------|
| 74AC11240DBR | SSOP         | DB              | 24   | 2000 | 356.0       | 356.0      | 35.0        |

**TUBE**


\*All dimensions are nominal

| Device      | Package Name | Package Type | Pins | SPQ | L (mm) | W (mm) | T (μm) | B (mm) |
|-------------|--------------|--------------|------|-----|--------|--------|--------|--------|
| 74AC11240DW | DW           | SOIC         | 24   | 25  | 506.98 | 12.7   | 4826   | 6.6    |
| 74AC11240PW | PW           | TSSOP        | 24   | 60  | 530    | 10.2   | 3600   | 3.5    |

# PW0024A



# PACKAGE OUTLINE

## TSSOP - 1.2 mm max height

SMALL OUTLINE PACKAGE



4220208/A 02/2017

### NOTES:

1. All linear dimensions are in millimeters. Any dimensions in parenthesis are for reference only. Dimensioning and tolerancing per ASME Y14.5M.
2. This drawing is subject to change without notice.
3. This dimension does not include mold flash, protrusions, or gate burrs. Mold flash, protrusions, or gate burrs shall not exceed 0.15 mm per side.
4. This dimension does not include interlead flash. Interlead flash shall not exceed 0.25 mm per side.
5. Reference JEDEC registration MO-153.

# EXAMPLE BOARD LAYOUT

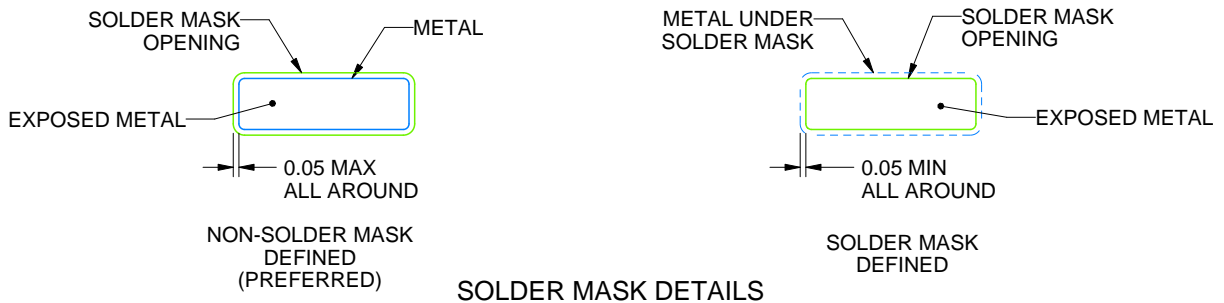
PW0024A

TSSOP - 1.2 mm max height

SMALL OUTLINE PACKAGE



LAND PATTERN EXAMPLE  
EXPOSED METAL SHOWN  
SCALE: 10X



SOLDER MASK DETAILS

4220208/A 02/2017

NOTES: (continued)

- 6. Publication IPC-7351 may have alternate designs.
- 7. Solder mask tolerances between and around signal pads can vary based on board fabrication site.

# EXAMPLE STENCIL DESIGN

PW0024A

TSSOP - 1.2 mm max height

SMALL OUTLINE PACKAGE



NOTES: (continued)

8. Laser cutting apertures with trapezoidal walls and rounded corners may offer better paste release. IPC-7525 may have alternate design recommendations.
9. Board assembly site may have different recommendations for stencil design.

DW (R-PDSO-G24)

PLASTIC SMALL OUTLINE



- NOTES:
- A. All linear dimensions are in inches (millimeters). Dimensioning and tolerancing per ASME Y14.5M-1994.
  - B. This drawing is subject to change without notice.
  - C. Body dimensions do not include mold flash or protrusion not to exceed 0.006 (0,15).
  - D. Falls within JEDEC MS-013 variation AD.

DB (R-PDSO-G\*\*)

PLASTIC SMALL-OUTLINE

28 PINS SHOWN



- NOTES: A. All linear dimensions are in millimeters.  
 B. This drawing is subject to change without notice.  
 C. Body dimensions do not include mold flash or protrusion not to exceed 0,15.  
 D. Falls within JEDEC MO-150

## IMPORTANT NOTICE AND DISCLAIMER

TI PROVIDES TECHNICAL AND RELIABILITY DATA (INCLUDING DATA SHEETS), DESIGN RESOURCES (INCLUDING REFERENCE DESIGNS), APPLICATION OR OTHER DESIGN ADVICE, WEB TOOLS, SAFETY INFORMATION, AND OTHER RESOURCES "AS IS" AND WITH ALL FAULTS, AND DISCLAIMS ALL WARRANTIES, EXPRESS AND IMPLIED, INCLUDING WITHOUT LIMITATION ANY IMPLIED WARRANTIES OF MERCHANTABILITY, FITNESS FOR A PARTICULAR PURPOSE OR NON-INFRINGEMENT OF THIRD PARTY INTELLECTUAL PROPERTY RIGHTS.

These resources are intended for skilled developers designing with TI products. You are solely responsible for (1) selecting the appropriate TI products for your application, (2) designing, validating and testing your application, and (3) ensuring your application meets applicable standards, and any other safety, security, regulatory or other requirements.

These resources are subject to change without notice. TI grants you permission to use these resources only for development of an application that uses the TI products described in the resource. Other reproduction and display of these resources is prohibited. No license is granted to any other TI intellectual property right or to any third party intellectual property right. TI disclaims responsibility for, and you will fully indemnify TI and its representatives against, any claims, damages, costs, losses, and liabilities arising out of your use of these resources.

TI's products are provided subject to [TI's Terms of Sale](#) or other applicable terms available either on [ti.com](http://ti.com) or provided in conjunction with such TI products. TI's provision of these resources does not expand or otherwise alter TI's applicable warranties or warranty disclaimers for TI products.

TI objects to and rejects any additional or different terms you may have proposed.

Mailing Address: Texas Instruments, Post Office Box 655303, Dallas, Texas 75265  
Copyright © 2022, Texas Instruments Incorporated

## Looking for pricing, stock, or lifecycle information?

Click below to explore more details on WIN SOURCE:

 [View 74AC11240PW](#) on WIN SOURCE

 [Texas Instruments](#) Information

## Optimize Your Supply Chain with WIN SOURCE Solutions

-  Global Sourcing Solution
-  Obsolete Management
-  Cost Control Management
-  Shortage Management
-  Alternative Solution
-  Excess Inventory Management