



**THE DATASHEET OF
PTS820 J20M SMTR LFS**



PTS820 Series Microminiature SMT Top Actuated

Features/Benefits

- 3.9 x 2.9 mm footprint
- Three different heights
- High number of cycles
- Reduced footprint

Typical Applications

- Control panels
- Nomad devices
- Remote controls
- Keyless entry system



Specifications

FUNCTION: momentary action
 CONTACT ARRANGEMENT: 1 make contact = SPST N.O.
 TERMINALS: J type for SMT
 TRAVEL: 0.2mm + 0.1mm / -0.05 mm

| | Operating Force (gf) | Life Cycles | Height mm | Pegs |
|-----------------------|----------------------|-------------|-----------|------|
| PTS820 J25M SMTR LFS | 160 ± 50 | 200,000 | 2.5 | No |
| PTS820 J25K SMTR LFS | 250 ± 50 | 100,000 | 2.5 | No |
| PTS820 J25MP SMTR LFS | 160 ± 50 | 200,000 | 2.5 | Yes |
| PTS820 J25KP SMTR LFS | 250 ± 50 | 100,000 | 2.5 | Yes |
| PTS820 J20M SMTR LFS | 160 ± 50 | 200,000 | 2.0 | No |
| PTS820 J20K SMTR LFS | 250 ± 50 | 100,000 | 2.0 | No |
| PTS820 J20MP SMTR LFS | 160 ± 50 | 200,000 | 2.0 | Yes |
| PTS820 J20KP SMTR LFS | 250 ± 50 | 100,000 | 2.0 | Yes |
| PTS820 J15M SMTR LFS | 160 ± 50 | 200,000 | 1.5 | No |
| PTS820 J15K SMTR LFS | 250 ± 50 | 100,000 | 1.5 | No |
| PTS820 J15MP SMTR LFS | 160 ± 50 | 200,000 | 1.5 | Yes |
| PTS820 J15KP SMTR LFS | 250 ± 50 | 100,000 | 1.5 | Yes |

Packaging

Switches in reels of 2,300 pieces for 2.5 mm height
 Switches in reels of 2,500 pieces for 2.0 mm height
 Switches in reels of 3,000 pieces for 1.5 mm height
 Dimensions of reels according to EIA 481B
 External diameter 330 mm

Electrical

MAXIMUM VOLTAGE: 12 VDC
 MAXIMUM CURRENT DC: 50 mA
 DIELECTRIC STRENGTH: 100 VA C (1mm)
 CONTACT RESISTANCE: ≤ 100 mΩ
 INSULATION RESISTANCE: ≥ 100 MΩ
 BOUNCE TIME: ≤ 10 ms

Environmental

OPERATING TEMPERATURE: -40°C to 85°C

Process

SOLDERING: This component is suited to the following methods:
 Infrared Reflow Soldering in accordance with IEC61760-1

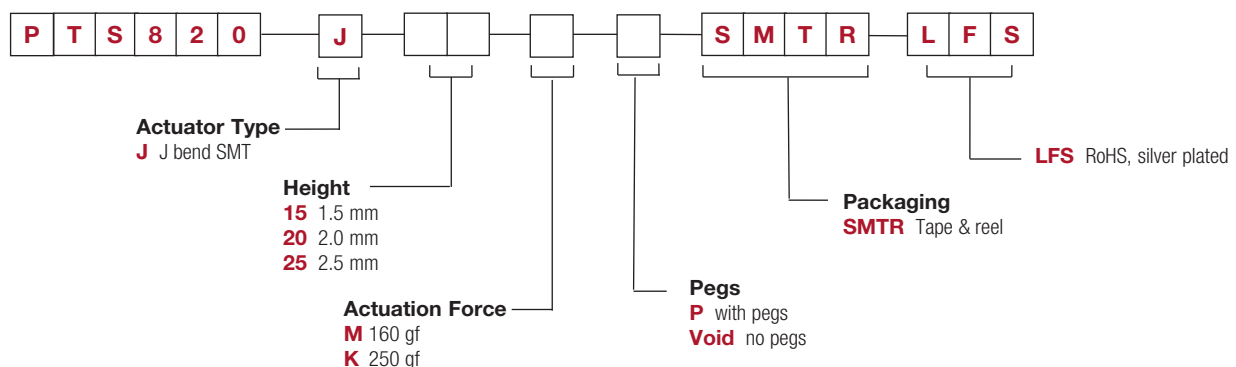
NOTE:

- Specifications listed above are for switches with standard options. For information on specific and custom switches, consult Customer Service Center.
- The PTS series is not certified for using in Automotive application and no PPAP. However, in the case of some automotive accessories and specific applications for 2 and 3 wheeled vehicles the PTS is widely used and very suitable. Please contact your local C&K representative to discuss your application and the best switch solution.

How To Order

Our easy build-a-switch concept allows you to mix and match options to create the switch you need. To order, select desired option from each category and place it in the appropriate box.

For any part number different from those listed above, please consult your local representative.

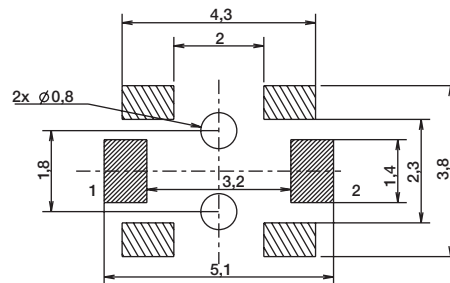
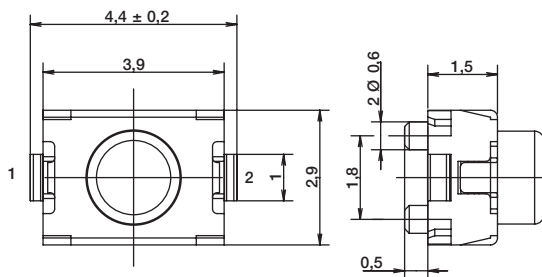
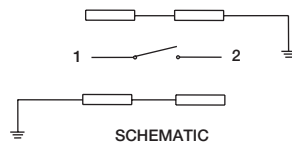
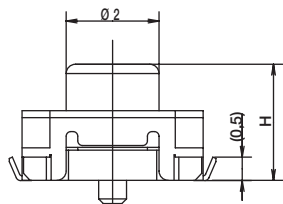


PTS820 Series Microminiature SMT Top Actuated

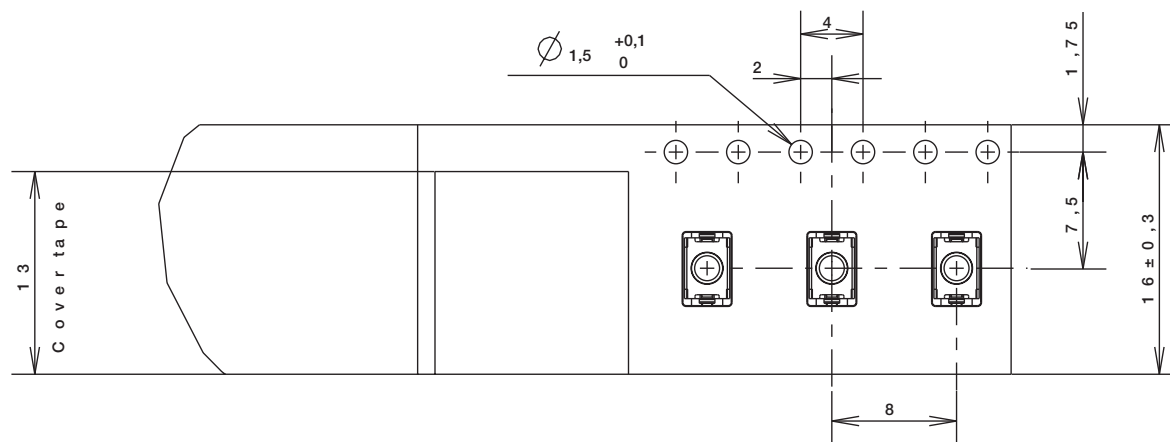
2.5 & 2.0 mm height (H) - version shown here with pegs

Tactile Switches

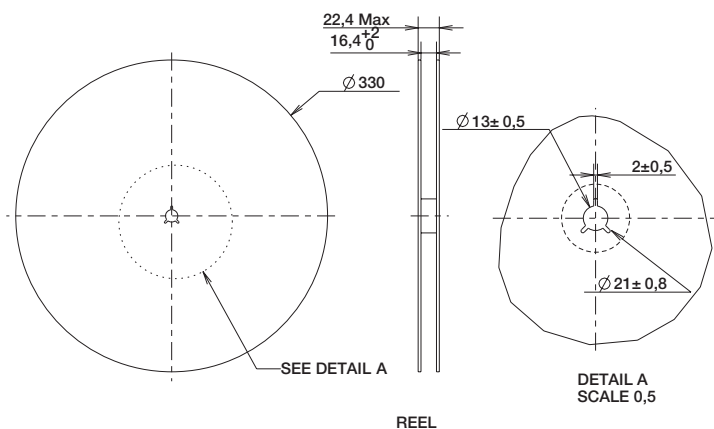
B



RECOMMENDED PCB LAYOUT

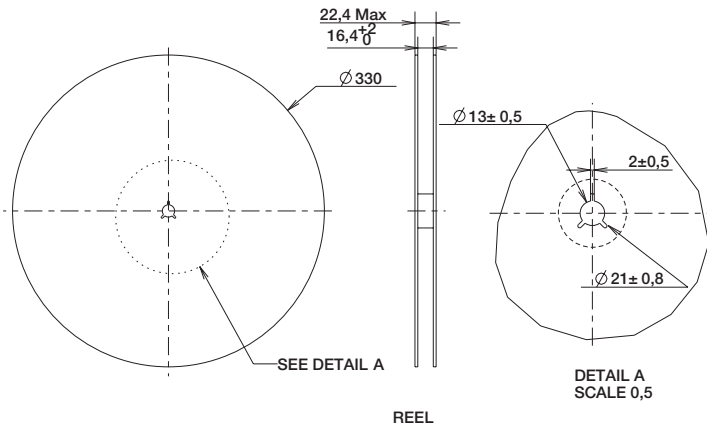
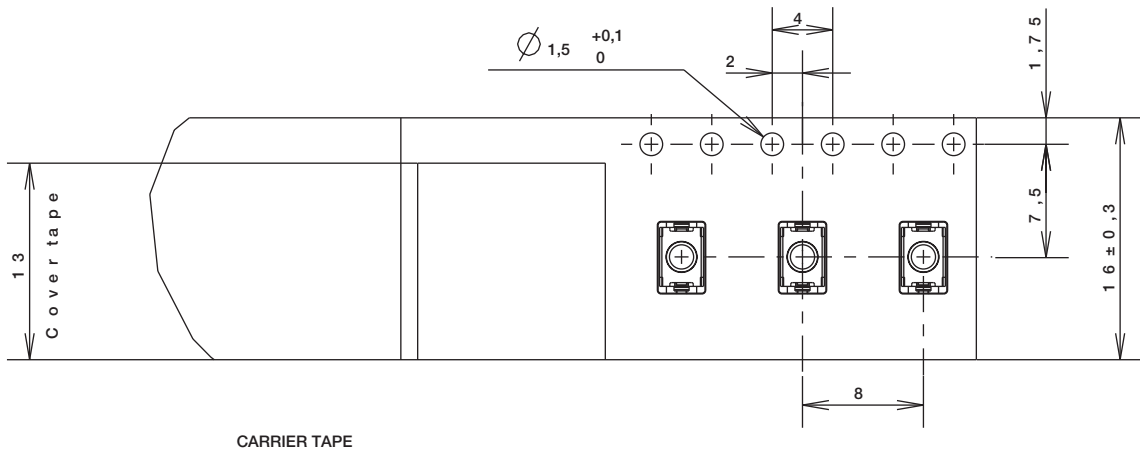
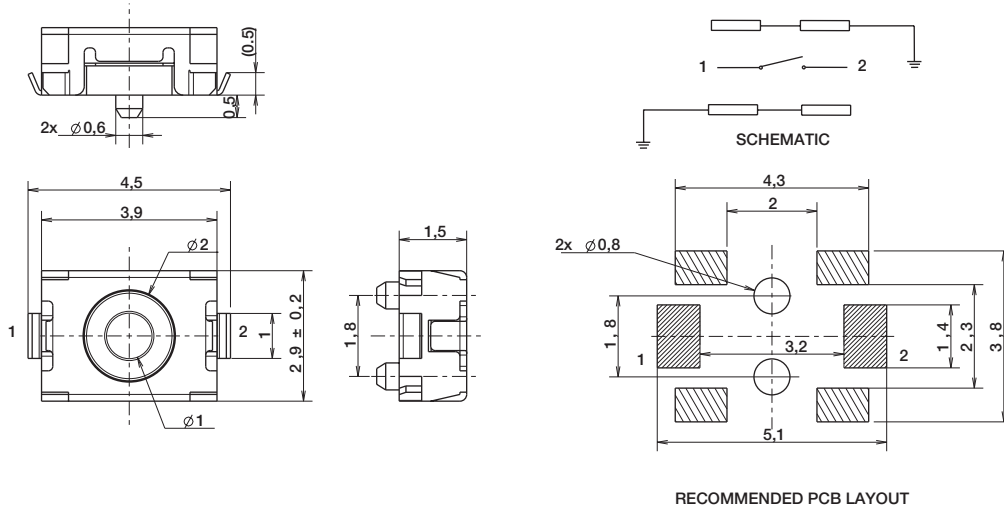


CARRIER TAPE



PTS820 Series Microminiature SMT Top Actuated

1.5 mm height (H) - version shown here with pegs



B

Tactile Switches

Looking for pricing, stock, or lifecycle information?

Click below to explore more details on WIN SOURCE:

- ⊖ [View PTS820 J20M SMTR LFS](#) on WIN SOURCE
- ⊖ [C&K Components](#) Information

Optimize Your Supply Chain with WIN SOURCE Solutions

- ✓ Global Sourcing Solution
- ✓ Obsolete Management
- ✓ Cost Control Management
- ✓ Shortage Management
- ✓ Alternative Solution
- ✓ Excess Inventory Management