



**THE DATASHEET OF
ET60T-D03-5-06-D03-S-R1-S**



DO NOT SCALE FROM THIS PRINT

DESIGNED & DIMENSIONED IN MILLIMETERS [INCHES]

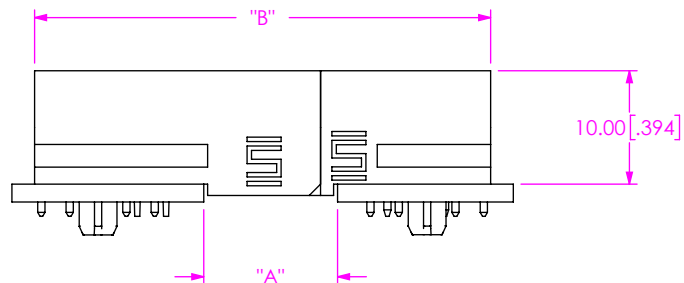


FIG 1
ET60T-RX MATED WITH ET60S-RX

ET60T-RX	ET60S-RX				SIGNAL PIN WIPE		POWER PIN WIPE	
	"A" FULLY MATED	"A" MAX	"B" FULLY MATED	"B" MAX	FULLY MATED	MIN	FULLY MATED	MIN
-0 ROWS	11.80 [.465]	17.60 [.693]	40.22 [1.583]	46.02 [1.812]	N/A	N/A	6.18 [.243]	0.38 [.015]
-3 ROWS	11.80 [.465]	15.32 [.603]	40.22 [1.583]	43.74 [1.722]	3.90 [.154]	0.38 [.015]	6.18 [.243]	2.66 [.105]
-5 ROWS	11.80 [.465]	14.98 [.590]	40.22 [1.583]	43.40 [1.709]	3.56 [.140]	0.38 [.015]	6.18 [.243]	2.66 [.105]

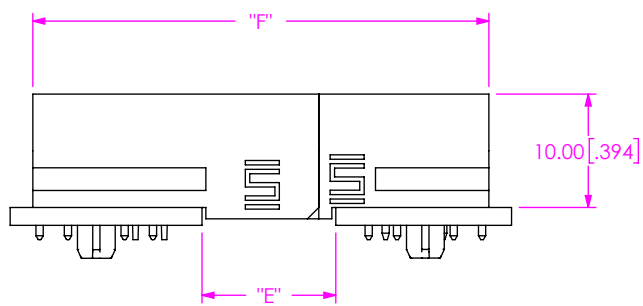
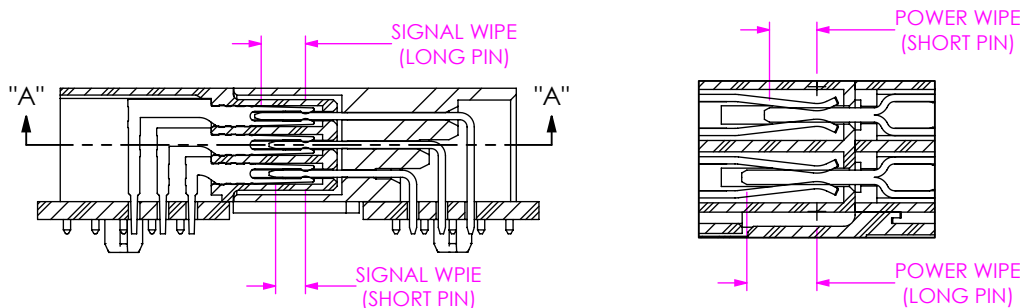


FIG 3
ET60T-RX-H MATED WITH ET60S-RX-H
(HOT SWAP OPTION)



SECTION "A"-"A"
SCALE 1.5:1

ET60T-RX-H (HOT SWAP)	ET60S-RX				SIGNAL PIN WIPE				POWER PIN WIPE			
	"E" FULLY MATED	"E" MAX	"F" FULLY MATED	"F" MAX	LONG PIN		SHORT PIN		LONG PIN		SHORT PIN	
					FULLY MATED	MIN	FULLY MATED	MIN	FULLY MATED	MIN	FULLY MATED	MIN
-0 ROWS	11.80 [.465]	15.60 [.614]	40.22 [1.583]	44.02 [1.733]	N/A	N/A	N/A	N/A	6.18 [.243]	2.38 [.094]	4.18 [.165]	0.38 [.015]
-3 ROWS	11.80 [.465]	14.05 [.553]	40.22 [1.583]	42.47 [1.672]	3.90 [.154]	1.65 [.065]	2.63 [.104]	0.38 [.015]	6.18 [.243]	3.93 [.155]	4.18 [.165]	1.93 [.076]

NOTES:

1. DRAWING ILLUSTRATES EFFECTIVE MATING RANGE OF CONNECTORS IN VARIOUS CONFIGURATIONS.
2. ALTHOUGH MAX DIMENSIONS ARE LISTED SAMTEC RECOMMENDS FULLY MATING COMPONENTS.
3. ALL DIMENSIONS BASED ON NOMINAL VALUES FOR SAMTEC RECOMMENDED PCB LAYOUTS.

PROPRIETARY NOTE
THIS DOCUMENT CONTAINS CONFIDENTIAL AND PROPRIETARY INFORMATION AND ALL DESIGN, MANUFACTURING, REPRODUCTION, USE, PATENT RIGHTS AND SALES RIGHTS ARE EXPRESSLY RESERVED BY SAMTEC, INC. THIS DOCUMENT SHALL NOT BE DISCLOSED, IN WHOLE OR PART, TO ANY UNAUTHORIZED PERSON OR ENTITY NOR REPRODUCED, TRANSFERRED OR INCORPORATED IN ANY OTHER PROJECT IN ANY MANNER WITHOUT THE EXPRESS WRITTEN CONSENT OF SAMTEC, INC.



520 PARK EAST BLVD., NEW ALBANY, IN 47150
PHONE: 812-944-6733 FAX: 812-948-5047
e-Mail info@SAMTEC.com code 55322

DESIGNED & DIMENSIONED
IN MILLIMETERS [INCHES]

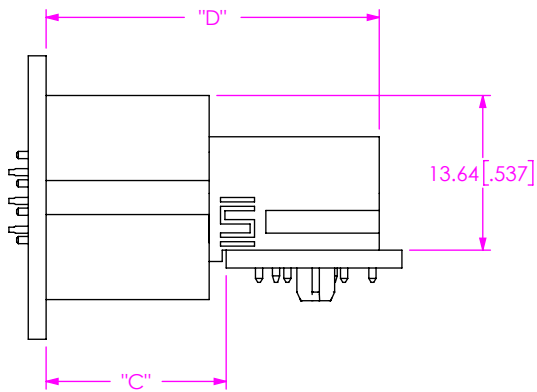


FIG 2
ET60T-RX MATED WITH ET60S-VX

TABLE 2								
ET60T-RX	ET60S-VX				SIGNAL PIN WIPE		POWER PIN WIPE	
	"C" FULLY MATED	"C" MAX	"D" FULLY MATED	"D" MAX	FULLY MATED	MIN	FULLY MATED	MIN
-0 ROWS	15.88 [.625]	20.56 [.809]	29.38 [1.157]	34.06 [1.341]	N/A	N/A	5.06 [.199]	0.38 [.015]
-3 ROWS	15.88 [.625]	19.33 [.761]	29.38 [1.157]	32.83 [1.293]	3.83 [.151]	0.38 [.015]	5.06 [.199]	1.61 [.063]
-5 ROWS	15.88 [.625]	18.95 [.746]	29.38 [1.157]	32.45 [1.278]	3.45 [.136]	0.38 [.015]	5.06 [.199]	1.61 [.063]

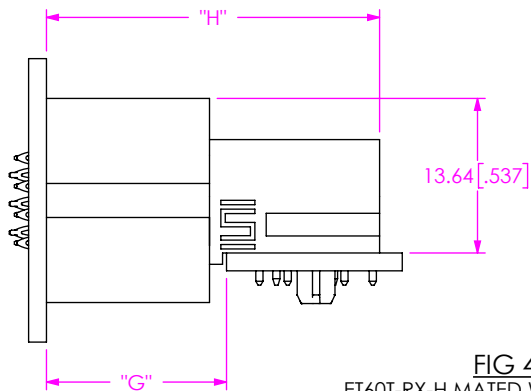


FIG 4
ET60T-RX-H MATED WITH ET60S-VX
(HOT SWAP)

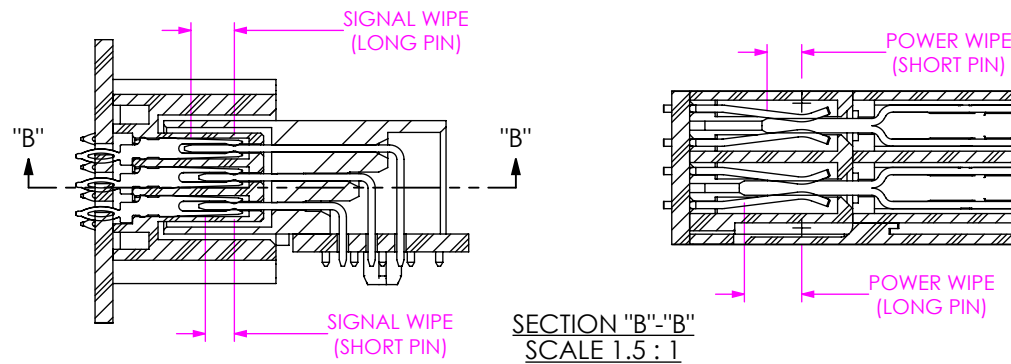


TABLE 4												
ET60T-RX-H (HOT SWAP)	ET60S-VX				SIGNAL PIN WIPE				POWER PIN WIPE			
	"G" FULLY MATED	"G" MAX	"H" FULLY MATED	"H" MAX	LONG PIN		SHORT PIN		LONG PIN		SHORT PIN	
					FULLY MATED	MIN	FULLY MATED	MIN	FULLY MATED	MIN	FULLY MATED	MIN
-0 ROWS	15.88 [.625]	18.56 [.731]	29.38 [1.157]	32.06 [1.262]	N/A	N/A	N/A	N/A	5.06 [.199]	2.38 [.094]	3.06 [.120]	0.38 [.015]
-3 ROWS	15.88 [.625]	18.06 [.711]	29.38 [1.157]	31.56 [1.243]	3.83 [.151]	1.65 [.065]	2.56 [1.101]	0.38 [.015]	5.06 [.199]	2.88 [1.113]	3.06 [.120]	0.88 [.035]



PROPRIETARY NOTE
THIS DOCUMENT CONTAINS CONFIDENTIAL AND PROPRIETARY INFORMATION AND ALL DESIGN, MANUFACTURING, REPRODUCTION, USE, PATENT RIGHTS AND SALES RIGHTS ARE EXPRESSLY RESERVED BY SAMTEC, INC. THIS DOCUMENT SHALL NOT BE DISCLOSED, IN WHOLE OR PART, TO ANY UNAUTHORIZED PERSON OR ENTITY NOR REPRODUCED, TRANSFERRED OR INCORPORATED IN ANY OTHER PROJECT IN ANY MANNER WITHOUT THE EXPRESS WRITTEN CONSENT OF SAMTEC, INC.



520 PARK EAST BLVD, NEW ALBANY, IN 47150
PHONE: 812-944-6733 FAX: 812-948-5047
e-Mail info@SAMTEC.com code 55322

Looking for pricing, stock, or lifecycle information?

Click below to explore more details on WIN SOURCE:

-  [View ET60T-D03-5-06-D03-S-R1-S on WIN SOURCE](#)
-  [Samtec Inc. Information](#)

Optimize Your Supply Chain with WIN SOURCE Solutions

-  Global Sourcing Solution
-  Obsolete Management
-  Cost Control Management
-  Shortage Management
-  Alternative Solution
-  Excess Inventory Management