



THE DATASHEET OF USB-B1KSB6



1

2

3

4

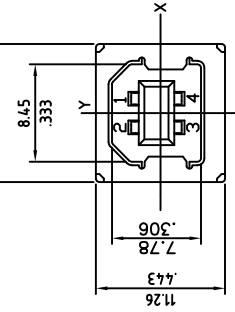
5

PART NUMBER:

USB-B1KSXX

PLATING:

- 6: Selective Au Flash/50u" Ni
- 8: Selective 30u" Au/50u" Ni (USB 2.0)

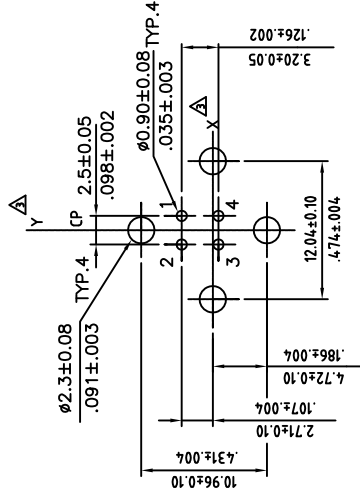
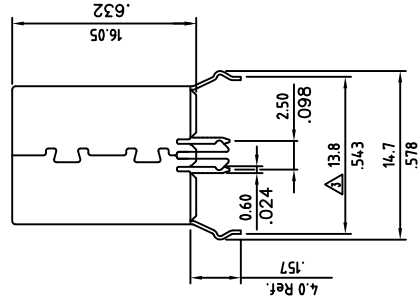
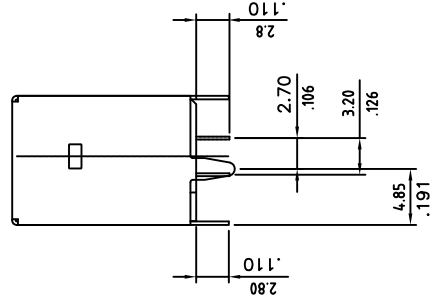


Color:
W - white
B - black

6: Selective Au Flash/50u" Ni
8: Selective 30u" Au/50u" Ni (USB 2.0)

- Material**
- Insulator
 - Flammability
 - Contact F
 - Shell
 - Shell Plating
 - Packaging
- Ratings**
- Current
 - Voltage
 - Contact F
 - Insulation
 - Dielectric
 - Operating
 - Storage

RoHS Compl



Recommended P.C. Board Layout



TITLE	USB B1KS Series - Board Mount - B T
PART NO.	USB-B1KSXX
APPROVED	DESIGNED
Stephen 2006.08.29	Marvin 2006.08.29
	Sun 2006.08.29
	Lee 2006.08.22

THESE DRAWINGS AND SPECIFICATIONS ARE THE PROPERTY OF ON-SHORE TECHNOLOGY, INC. AND SHALL NOT BE REPRODUCED, COPIED OR USED IN ANY MANNER WITHOUT THE PRIOR WRITTEN CONSENT OF ON-SHORE TECHNOLOGY, INC.

1

2

3

4

5

DESIGNED	DRAWN
Marvin 2006.08.29	Sun 2006.08.29
	Lee 2006.08.22

Looking for pricing, stock, or lifecycle information?

Click below to explore more details on WIN SOURCE:

-  [View USB-B1KSB6 on WIN SOURCE](#)
-  [On Shore Technology Inc. Information](#)

Optimize Your Supply Chain with WIN SOURCE Solutions

-  Global Sourcing Solution
-  Obsolete Management
-  Cost Control Management
-  Shortage Management
-  Alternative Solution
-  Excess Inventory Management