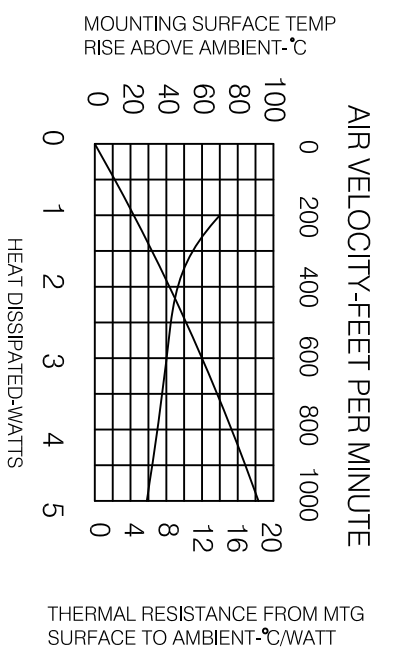
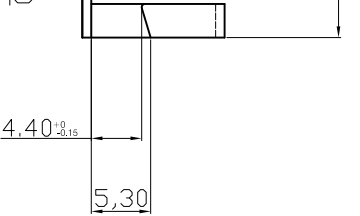
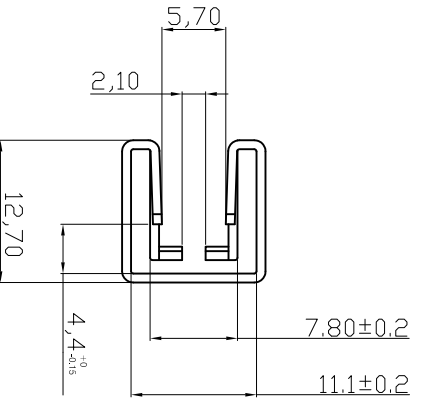





# THE DATASHEET OF V8508A



3	4	5	6	7
---	---	---	---	---





Notes  
 Material : AL 5052 T=0.8±0.1 MM  
 Finished : Black Anodize

FREE									
RANGE									
±0.15	①				Drawn	Date	22.07.2004	Name	Hellwig
±0.20	②	Update	07.06.2013	Amy	Approved	07.06.2013		Amy	
±0.25	③	Modify drawing layout	10.03.2010	Alex					
±0.30	④	Update	11.08.2009	Dean					
Tol	①	Drawn	22.07.2004	Hellwig	 <b>ASSMANN</b> components ASSMANN WSW-No. V8508A Drawing-No. ASS 0387 HS Replace Sheet				
±1°	Id.	Modification							
3	4	5	6	7					

## Looking for pricing, stock, or lifecycle information?

Click below to explore more details on WIN SOURCE:

-  [View V8508A on WIN SOURCE](#)
-  [Assmann WSW Components](#) Information

## Optimize Your Supply Chain with WIN SOURCE Solutions

-  Global Sourcing Solution
-  Obsolete Management
-  Cost Control Management
-  Shortage Management
-  Alternative Solution
-  Excess Inventory Management