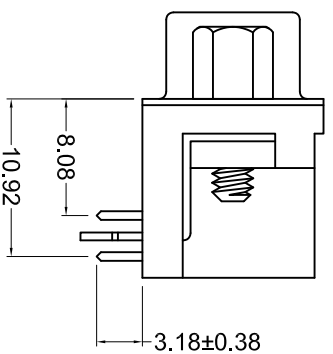
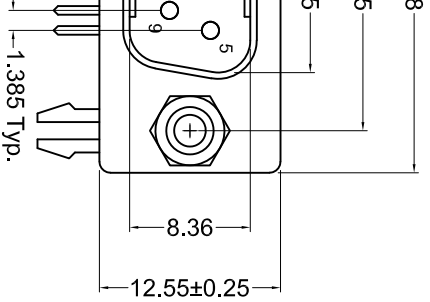


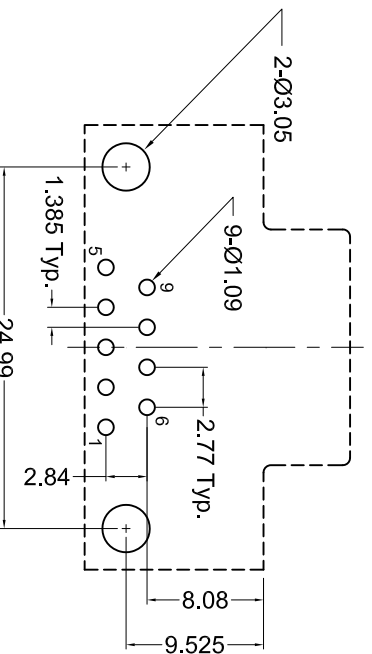
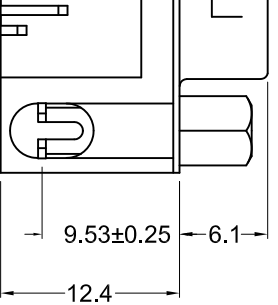


**THE DATASHEET OF
K22XHT-E9P-NJ30**





s Installed



Recommended PCB Layout
(Top View)

Product Area Plating Finish
Flash (Standard)
" Gold (15 Option)
" Gold (30 Option)

Material and Finish

Insulator: High Temperature
Thermoplastic with Glass-fiber
Reinforcement, UL 94V-0 Rated,
Color: Black

Shell: Steel, Nickel Plated

Contact Material:
Plug - Brass

Contact Plating Options:

Standard: Gold Flash on

Mating End: Tin on

Termination End: Nickel

Underplate on Entire Contact

15 Option: 15u" Gold on

Mating End: Tin on

Termination End: Nickel

Underplate on Entire Contact

30 Option: 30u" Gold on

Mating End: Tin on

Termination End: Nickel

Underplate on Entire Contact

Electrical Specifications

Rated Current: 2A

Rated Voltage: 30V RMS

Insulation Resistance:
1000 Megohms Min., at 500V DC

Contact Resistance:
13 milliohms Max.

Dielectric Withstanding Voltage:
1000V for 1 Minute

Mechanical Specifications

Operating Temperature:

-55°C to +105°C

V. BY	CHK. BY	DRAWN BY	DATE
H. Aguirre	H. MA	R. Aguirre	09/31/05
Vien	P. DalCanto		UNITS
Gerardo	D. Sheehan		mm

K22XHT-E9P-NJ

Right Angle D-Sub, Male, RoHS Compliant

0.318" Footprint, Jackscrews Installed

ROHS COMPLIANT
EU Directive 2002/95/EC



LF78160
US

Tolerances

X.X ± 0.25

X.XX ± 0.15

Unless Stated
Otherwise



Looking for pricing, stock, or lifecycle information?

Click below to explore more details on WIN SOURCE:

 [View K22XHT-E9P-NJ30 on WIN SOURCE](#)

 [Kycon, Inc. Information](#)

Optimize Your Supply Chain with WIN SOURCE Solutions

-  Global Sourcing Solution
-  Obsolete Management
-  Cost Control Management
-  Shortage Management
-  Alternative Solution
-  Excess Inventory Management