



**THE DATASHEET OF
LGW2W471MELC45**

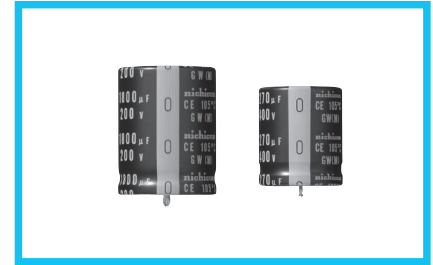
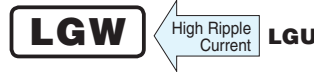


LGW

Snap-in Terminal Type, 105°C High Ripple Current



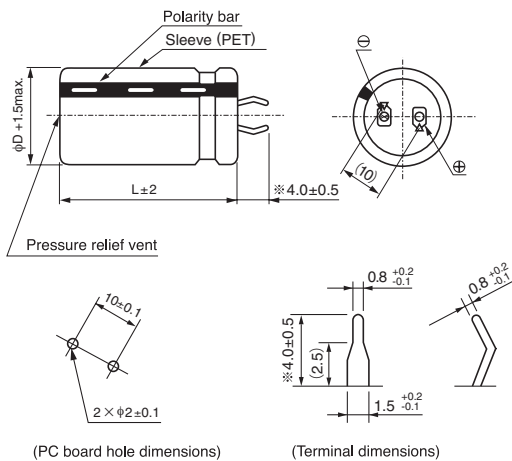
- High Ripple current.
- Withstanding 3000 hours application of rated ripple current at 105°C.
- Compliant to the RoHS directive (2011/65/EU,(EU)2015/863).



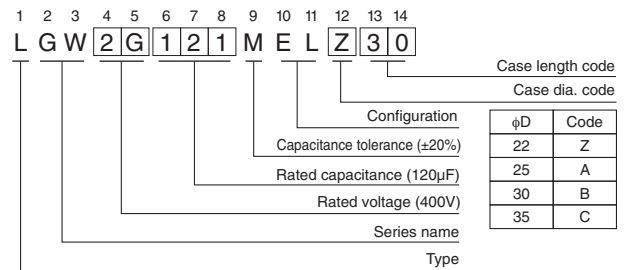
Specifications

| Item | Performance Characteristics | | |
|-------------------------------|---|---|--------------------------|
| Category Temperature Range | - 40 to +105°C (200 · 250V) , - 25 to +105°C (400 · 450V) | | |
| Rated Voltage Range | 200 to 450V | | |
| Rated Capacitance Range | 82 to 2200μF | | |
| Capacitance Tolerance | ±20% at 120Hz, 20°C | | |
| Leakage Current | $I \leq 3\sqrt{CV}$ (μA) (After 5 minutes' application of rated voltage at 20°C) [C : Rated Capacitance (μF) V : Voltage (V)] | | |
| Tangent of loss angle (tan δ) | Rated voltage (V) | 200 to 400 450 | |
| | tan δ (max.) | 0.15 0.20 | |
| Stability at Low Temperature | Measurement frequency : 120Hz | | |
| | Rated voltage (V) | | 200 · 250 400 · 450 |
| | Impedance ratio (max.) | Z(-25°C) / Z(+20°C) | 3 |
| Z(-40°C) / Z(+20°C) | | 12 | — |
| Endurance | The specifications listed at right shall be met when the capacitors are restored to 20°C after D.C. bias plus rated ripple current is applied for 3000 hours at 105°C, the peak voltage shall not exceed the rated voltage. | | |
| | Capacitance change | Within ±20% of the initial capacitance value | |
| | tan δ | 200% or less than the initial specified value | |
| Shelf Life | After storing the capacitors under no load at 105°C for 1000 hours and then performing voltage treatment based on JIS C 5101-4 clause 4.1 at 20°C, they shall meet the requirements listed at right. | | |
| | Capacitance change | Within ±15% of the initial capacitance value | |
| | tan δ | 150% or less than the initial specified value | |
| Marking | Printed with white color letter on black sleeve. | | |
| | Leakage current | Less than or equal to the initial specified value | |
| | Leakage current | Less than or equal to the initial specified value | |

Drawing



Type numbering system (Example : 400V 120μF)



※ Other terminations available upon request.
Please refer to the Guidelines for Aluminum Electrolytic Capacitors.

Frequency coefficient of rated ripple current

| Frequency (Hz) | 50 | 60 | 120 | 300 | 1k | 10k | 50k or more |
|----------------|-----------|------|------|------|------|------|-------------|
| Coeff. | 200 · 250 | 0.81 | 0.85 | 1.00 | 1.17 | 1.32 | 1.45 |
| | 400 · 450 | 0.77 | 0.82 | 1.00 | 1.16 | 1.30 | 1.43 |

● Dimension table in next page.

LGW

■ Dimensions

| 200V (2D) | | | | |
|-----------|-----------------|-----------------------------------|----------------------|----------------|
| Cap. (μF) | Size φD × L(mm) | Rated ripple (mA _{rms}) | Leakage Current (mA) | Code |
| 330 | 22 × 25 | 1970 | 0.77 | LGW2D331MELZ25 |
| 470 | 22 × 30 | 2170 | 0.91 | LGW2D471MELZ30 |
| | 25 × 25 | 2170 | 0.91 | LGW2D471MELA25 |
| 560 | 22 × 35 | 2220 | 1.00 | LGW2D561MELZ35 |
| | 25 × 30 | 2300 | 1.00 | LGW2D561MELA30 |
| 680 | 22 × 40 | 2300 | 1.10 | LGW2D681MELZ40 |
| | 25 × 35 | 2650 | 1.10 | LGW2D681MELA35 |
| | 30 × 25 | 3080 | 1.10 | LGW2D681MELB25 |
| 820 | 22 × 45 | 2650 | 1.21 | LGW2D821MELZ45 |
| | 25 × 40 | 3080 | 1.21 | LGW2D821MELA40 |
| | 30 × 30 | 3480 | 1.21 | LGW2D821MELB30 |
| | 35 × 25 | 3480 | 1.21 | LGW2D821MELC25 |
| 1000 | 25 × 45 | 3450 | 1.34 | LGW2D102MELA45 |
| | 30 × 35 | 3980 | 1.34 | LGW2D102MELB35 |
| 1200 | 25 × 50 | 3980 | 1.46 | LGW2D122MELA50 |
| | 30 × 40 | 4200 | 1.46 | LGW2D122MELB40 |
| | 35 × 30 | 4200 | 1.46 | LGW2D122MELC30 |
| 1500 | 30 × 45 | 4620 | 1.64 | LGW2D152MELB45 |
| | 35 × 35 | 4200 | 1.64 | LGW2D152MELC35 |
| 1800 | 30 × 50 | 5220 | 1.80 | LGW2D182MELB50 |
| | 35 × 40 | 4620 | 1.80 | LGW2D182MELC40 |
| 2200 | 35 × 45 | 5220 | 1.98 | LGW2D222MELC45 |

| 250V (2E) | | | | |
|-----------|-----------------|-----------------------------------|----------------------|----------------|
| Cap. (μF) | Size φD × L(mm) | Rated ripple (mA _{rms}) | Leakage Current (mA) | Code |
| 270 | 22 × 25 | 1650 | 0.77 | LGW2E271MELZ25 |
| 330 | 22 × 30 | 1800 | 0.86 | LGW2E331MELZ30 |
| | 25 × 25 | 1800 | 0.86 | LGW2E331MELA25 |
| 390 | 22 × 35 | 1950 | 0.93 | LGW2E391MELZ35 |
| | 25 × 30 | 1950 | 0.93 | LGW2E391MELA30 |
| 470 | 22 × 40 | 2100 | 1.02 | LGW2E471MELZ40 |
| | 30 × 25 | 2200 | 1.02 | LGW2E471MELB25 |
| 560 | 22 × 45 | 2250 | 1.12 | LGW2E561MELZ45 |
| | 25 × 35 | 2250 | 1.12 | LGW2E561MELA35 |
| 680 | 22 × 50 | 2550 | 1.23 | LGW2E681MELZ50 |
| | 25 × 40 | 2550 | 1.23 | LGW2E681MELA40 |
| | 30 × 30 | 2550 | 1.23 | LGW2E681MELB30 |
| | 35 × 25 | 2550 | 1.23 | LGW2E681MELC25 |
| 820 | 25 × 50 | 3000 | 1.35 | LGW2E821MELA50 |
| | 30 × 35 | 3000 | 1.35 | LGW2E821MELB35 |
| | 35 × 30 | 3000 | 1.35 | LGW2E821MELC30 |
| 1000 | 30 × 40 | 3300 | 1.50 | LGW2E102MELB40 |
| | 35 × 35 | 3300 | 1.50 | LGW2E102MELC35 |
| 1200 | 30 × 50 | 3450 | 1.64 | LGW2E122MELB50 |
| | 35 × 40 | 3450 | 1.64 | LGW2E122MELC40 |
| 1500 | 35 × 45 | 3750 | 1.83 | LGW2E152MELC45 |
| 1800 | 35 × 50 | 4050 | 2.01 | LGW2E182MELC50 |

| 400V (2G) | | | | |
|-----------|-----------------|-----------------------------------|----------------------|----------------|
| Cap. (μF) | Size φD × L(mm) | Rated ripple (mA _{rms}) | Leakage Current (mA) | Code |
| 100 | 22 × 25 | 1020 | 0.60 | LGW2G101MELZ25 |
| 120 | 22 × 30 | 1220 | 0.65 | LGW2G121MELZ30 |
| | 25 × 25 | 1220 | 0.65 | LGW2G121MELA25 |
| 150 | 22 × 35 | 1330 | 0.73 | LGW2G151MELZ35 |
| 180 | 22 × 40 | 1430 | 0.80 | LGW2G181MELZ40 |
| | 25 × 30 | 1430 | 0.80 | LGW2G181MELA30 |
| | 30 × 25 | 1680 | 0.80 | LGW2G181MELB25 |
| 220 | 22 × 45 | 1550 | 0.88 | LGW2G221MELZ45 |
| | 25 × 35 | 1650 | 0.88 | LGW2G221MELA35 |
| | 30 × 30 | 1790 | 0.88 | LGW2G221MELB30 |
| 270 | 22 × 50 | 1680 | 0.98 | LGW2G271MELZ50 |
| | 25 × 40 | 1830 | 0.98 | LGW2G271MELA40 |
| | 30 × 35 | 2120 | 0.98 | LGW2G271MELB35 |
| | 35 × 25 | 2120 | 0.98 | LGW2G271MELC25 |
| 330 | 25 × 50 | 2120 | 1.08 | LGW2G331MELA50 |
| | 30 × 40 | 2330 | 1.08 | LGW2G331MELB40 |
| | 35 × 30 | 2330 | 1.08 | LGW2G331MELC30 |
| 390 | 30 × 45 | 2520 | 1.18 | LGW2G391MELB45 |
| | 35 × 35 | 2520 | 1.18 | LGW2G391MELC35 |
| 470 | 30 × 50 | 2850 | 1.30 | LGW2G471MELB50 |
| | 35 × 40 | 2850 | 1.30 | LGW2G471MELC40 |
| 560 | 35 × 45 | 3180 | 1.41 | LGW2G561MELC45 |
| 680 | 35 × 50 | 3210 | 1.56 | LGW2G681MELC50 |

| 450V (2W) | | | | |
|-----------|-----------------|-----------------------------------|----------------------|----------------|
| Cap. (μF) | Size φD × L(mm) | Rated ripple (mA _{rms}) | Leakage Current (mA) | Code |
| 82 | 22 × 25 | 960 | 0.57 | LGW2W820MELZ25 |
| 100 | 22 × 30 | 1040 | 0.63 | LGW2W101MELZ30 |
| | 25 × 25 | 1040 | 0.63 | LGW2W101MELA25 |
| 120 | 22 × 35 | 1150 | 0.69 | LGW2W121MELZ35 |
| | 25 × 30 | 1220 | 0.69 | LGW2W121MELA30 |
| 150 | 22 × 40 | 1220 | 0.77 | LGW2W151MELZ40 |
| | 25 × 35 | 1310 | 0.77 | LGW2W151MELA35 |
| | 30 × 25 | 1310 | 0.77 | LGW2W151MELB25 |
| 180 | 22 × 45 | 1350 | 0.85 | LGW2W181MELZ45 |
| | 25 × 40 | 1350 | 0.85 | LGW2W181MELA40 |
| | 30 × 30 | 1600 | 0.85 | LGW2W181MELB30 |
| | 35 × 25 | 1600 | 0.85 | LGW2W181MELC25 |
| 220 | 25 × 45 | 1550 | 0.94 | LGW2W221MELA45 |
| | 30 × 35 | 1710 | 0.94 | LGW2W221MELB35 |
| 270 | 25 × 50 | 1740 | 1.04 | LGW2W271MELA50 |
| | 30 × 40 | 1900 | 1.04 | LGW2W271MELB40 |
| | 35 × 30 | 1900 | 1.04 | LGW2W271MELC30 |
| 330 | 30 × 45 | 2200 | 1.15 | LGW2W331MELB45 |
| | 35 × 35 | 2200 | 1.15 | LGW2W331MELC35 |
| 390 | 30 × 50 | 2400 | 1.25 | LGW2W391MELB50 |
| | 35 × 40 | 2420 | 1.25 | LGW2W391MELC40 |
| 470 | 35 × 45 | 2670 | 1.37 | LGW2W471MELC45 |
| 560 | 35 × 50 | 2850 | 1.50 | LGW2W561MELC50 |

Rated ripple current (mA_{rms}) at 105°C 120Hz

Looking for pricing, stock, or lifecycle information?

Click below to explore more details on WIN SOURCE:

- ⊖ [View LGW2W471MELC45 on WIN SOURCE](#)
- ⊖ [Nichicon Information](#)

Optimize Your Supply Chain with WIN SOURCE Solutions

- ✓ Global Sourcing Solution
- ✓ Obsolete Management
- ✓ Cost Control Management
- ✓ Shortage Management
- ✓ Alternative Solution
- ✓ Excess Inventory Management