



**THE DATASHEET OF
09533GA-24M-AA-00**



General Specifications

Motor Protection:

Auto Restart/Polarity Protection

Insulation Resistance:

10M Ω or over with a DC500V Megger

Dielectric Withstand Voltage:

AC 700V 1s or AC 500V 1min

Allowable Ambient Temperature Range:

-10°C ~ +60°C (Operating)

-40°C ~ +70°C (Storage)

(non-condensing environment)

Expected Life

Failure Rate: 10%

25°C 100,000 Hours

Material

Casing : Plastic (Black) UL94V-0

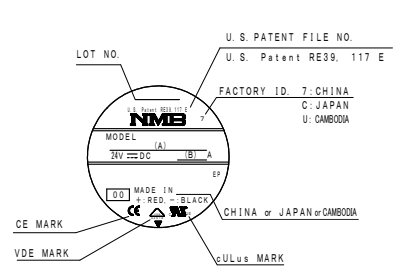
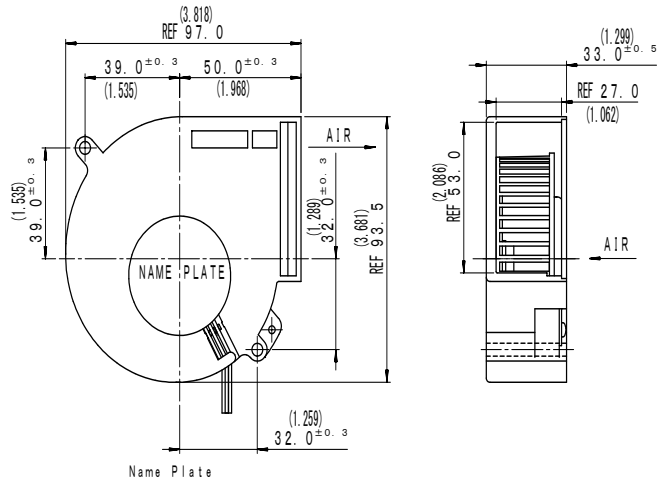
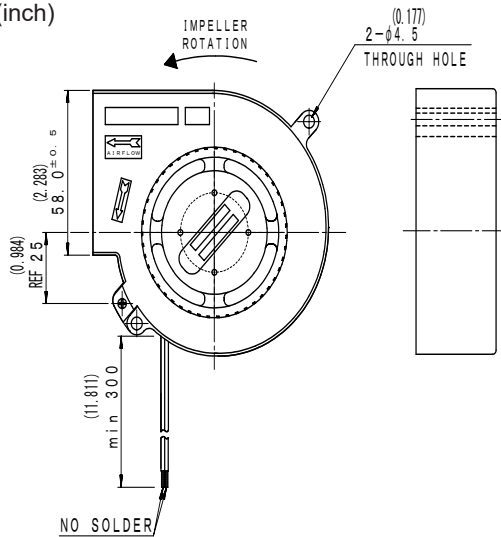
Impeller : Plastic (Black) UL94V-0

Bearing : Ball Bearing

Lead Wire : UL1007 AWG26, +Red, -Black

Outline

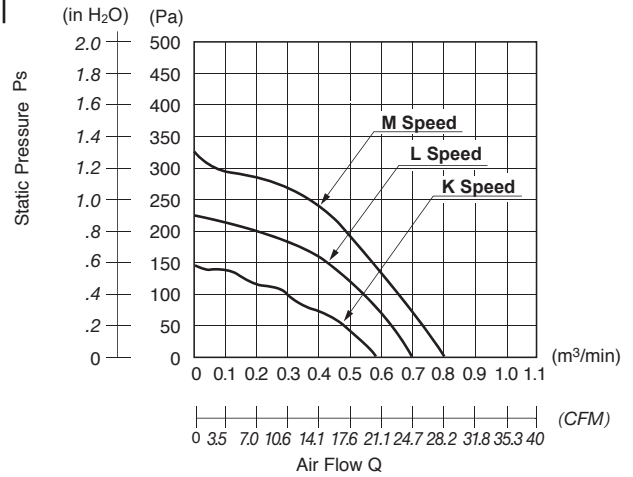
Unit: mm (inch)



	(A)	(B)
Model Name	Current	
09533GA-24K-AA	0.28	
09533GA-24L-AA	0.43	
09533GA-24M-AA	0.64	

Specifications

Characteristic Curves



MODEL	Rated Voltage	Operating Voltage	Current	Input Power	Speed	Max. Air Flow		Max. Static Pressure		Noise	Mass
	(V)	(V)	(A)*1	(W)*1	(min ⁻¹)*1	(CFM)	(m ³ /min)	(in H ₂ O)	(Pa)	(dB)*1	(g)
09533GA-24K-AA-00	24	10.0 ~ 27.6	0.21	5.04	2700	20.48	0.58	0.61	152	47.5	210
09533GA-24L-AA-00	24	10.0 ~ 27.6	0.33	7.92	3200	24.72	0.70	0.90	225	51.5	210
09533GA-24M-AA-00	24	10.0 ~ 25.0	0.49	11.76	3700	28.60	0.81	1.37	342	54.5	210

*1: Average Values in Free Air

Note: PWM/Locked Rotor/Tach Available

Looking for pricing, stock, or lifecycle information?

Click below to explore more details on WIN SOURCE:

-  [View 09533GA-24M-AA-00 on WIN SOURCE](#)
-  [NMB Technologies Corporation Information](#)

Optimize Your Supply Chain with WIN SOURCE Solutions

-  Global Sourcing Solution
-  Obsolete Management
-  Cost Control Management
-  Shortage Management
-  Alternative Solution
-  Excess Inventory Management