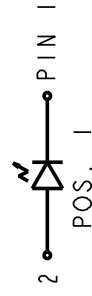
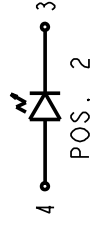




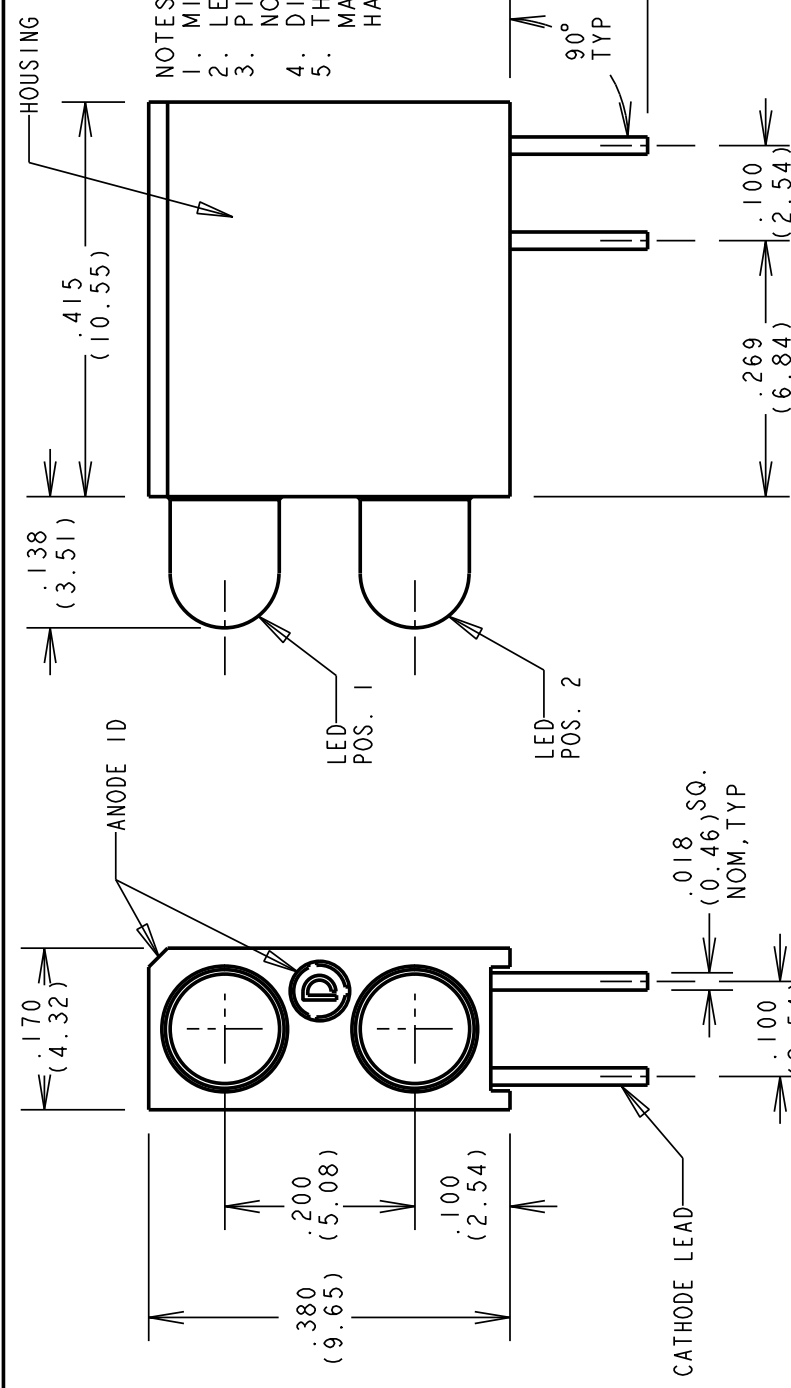
**THE DATASHEET OF**  
**553022200F**



PART NUMBER	LED COLOR(DIFFUSED)	
	POSITION 1	POSITION 2
553-0101-200F	BLANK	RED
553-0102-200F	BLANK	GREEN
553-0103-200F	BLANK	YELLOW
553-0110-200F	RED	BLANK
553-0111-200F	RED	RED
553-0112-200F	RED	GREEN
553-0113-200F	RED	YELLOW
553-0120-200F	GREEN	BLANK
553-0121-200F	GREEN	RED
553-0122-200F	GREEN	GREEN
553-0123-200F	GREEN	YELLOW
553-0128-200F	GREEN	BLUE
553-0130-200F	YELLOW	BLANK
553-0131-200F	YELLOW	RED
553-0132-200F	YELLOW	GREEN
553-0133-200F	YELLOW	YELLOW
553-0183-200F	BLUE	YELLOW
553-0188-200F	BLUE	BLUE
553-0201-200F	BLANK	RED
553-0202-200F	BLANK	GREEN
553-0203-200F	BLANK	YELLOW
553-0210-200F	RED	BLANK
553-0211-200F	RED	RED
553-0212-200F	RED	GREEN
553-0213-200F	RED	YELLOW
553-0220-200F	GREEN	BLANK
553-0222-200F	GREEN	GREEN
553-0232-200F	YELLOW	GREEN
553-0233-200F	YELLOW	YELLOW
553-0311-200F	RED	RED
553-0322-200F	GREEN	GREEN
553-0333-200F	YELLOW	YELLOW

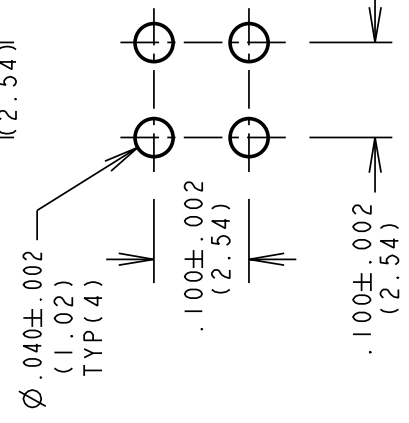


LEAD CONFIGURATION



- NOTES  
1. M...  
2. L...  
3. P...  
4. T...  
5. M...  
HA...

CATHODE LEAD  
.018 SQ.  
(0.46)  
NOM, TYP



RECOMMENDED PC BOARD HOLE PATTERN



2 ma LOW CURRENT LED  
OPERATING CHARACTERISTICS AT 25°C AMBIENT  
FOR 553-02XX-400)

CHARACTERISTICS	MIN	TYP	MAX	UNITS	TEST COND.
LUMINOUS INTENSITY	1.0	1.6		mcd	$I_f = 2 \text{ mA}$
	1.0	1.6			
	1.0	1.6			
FORWARD VOLTAGE		1.7	2.2	V	$I_f = 2 \text{ mA}$
	YELLOW	1.8	2.7		
	GREEN	1.9	2.2		
REVERSE VOLTAGE	5			V	$I_r = 10 \mu\text{A}$
PEAK WAVELENGTH		635		nm	MEASURED AT PEAK
		585			
		565			
VIEWING ANGLE		60		Degree	

5 V., INTEGRAL RESISTOR LED  
OPERATING CHARACTERISTICS AT 25°C AMBIENT  
FOR 553-03XX-400)

CHARACTERISTICS	L.E.D. COLOR	MIN	TYP	MAX	UNITS	TEST CO
LUMINOUS INTENSITY	RED	8.7	29		mcd	$V_f = 5$
	YELLOW	3.7	12.6			
	GREEN	5.6	19			
FORWARD CURRENT	RED		10	20	mA	$V_f = 5$
	YELLOW		10	20		
	GREEN		12	20		
REVERSE VOLTAGE	ALL	5			V	$I_r = 10$
PEAK WAVELENGTH	RED		635		nm	MEASUR AT PE
	YELLOW		585			
	GREEN		565			
VIEWING ANGLE	ALL		60		Degree	

## Looking for pricing, stock, or lifecycle information?

Click below to explore more details on WIN SOURCE:

[View 5530222200F on WIN SOURCE](#)

[Dialight Information](#)

## Optimize Your Supply Chain with WIN SOURCE Solutions

- ✓ Global Sourcing Solution
- ✓ Obsolete Management
- ✓ Cost Control Management
- ✓ Shortage Management
- ✓ Alternative Solution
- ✓ Excess Inventory Management