

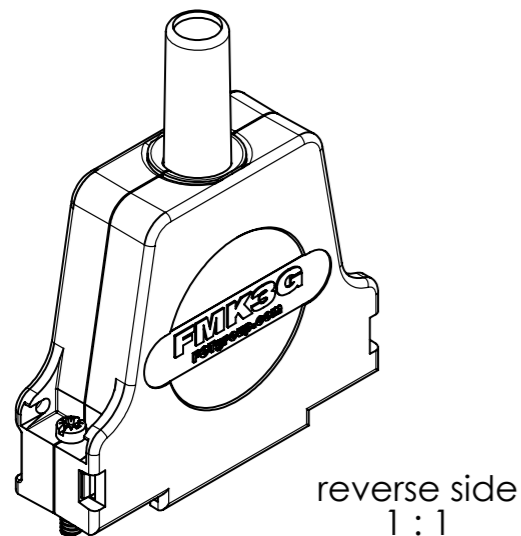
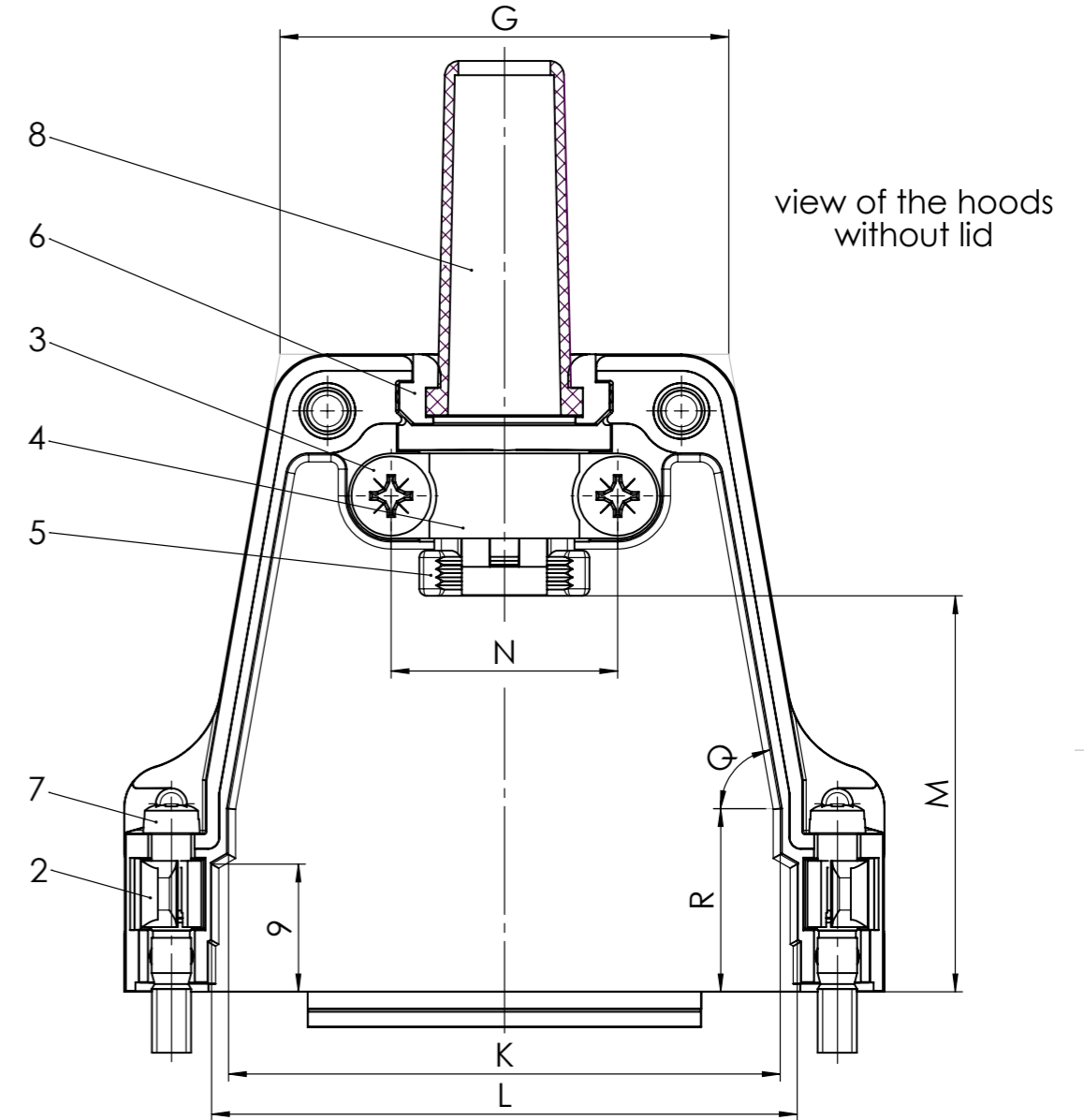
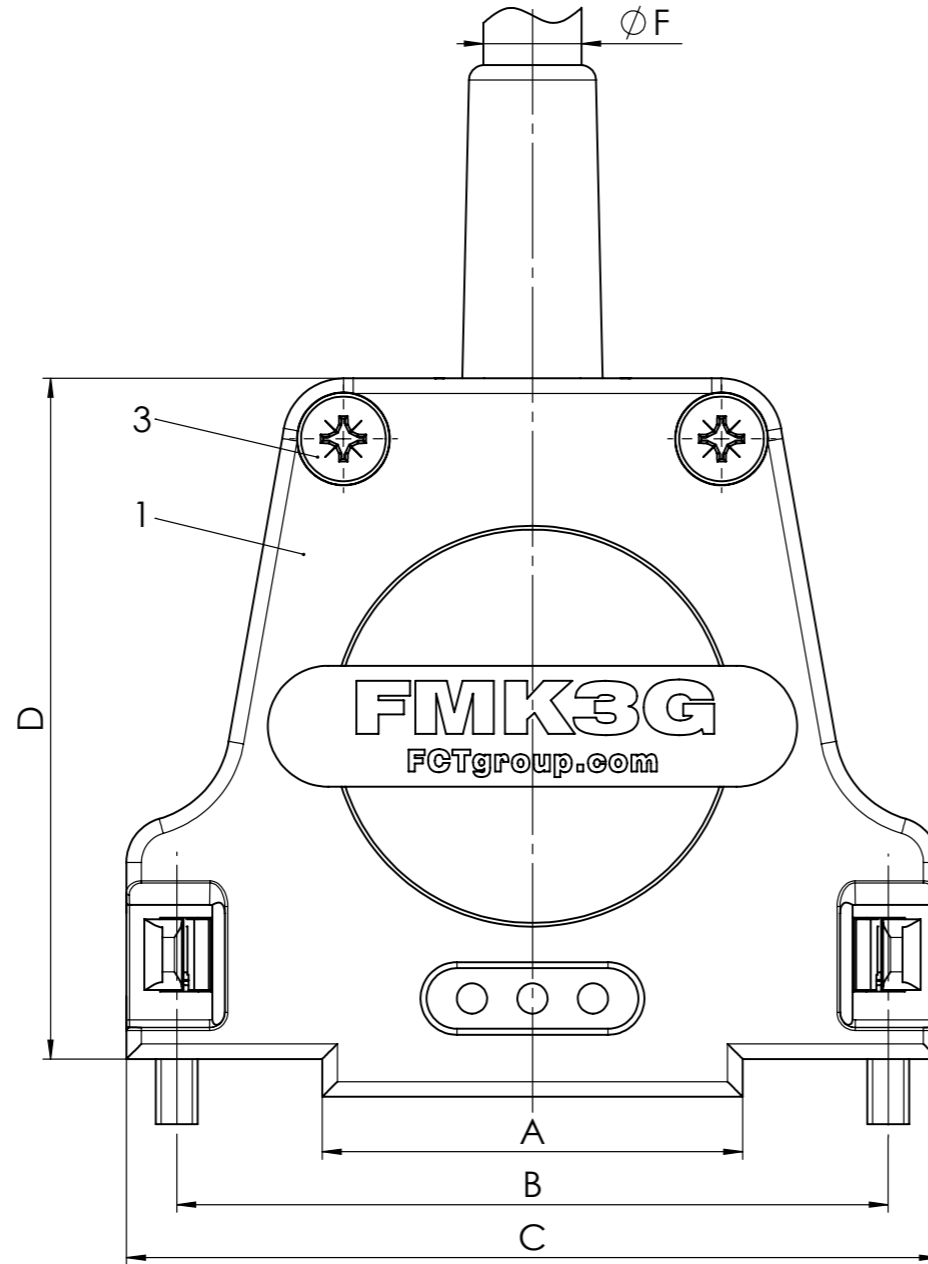
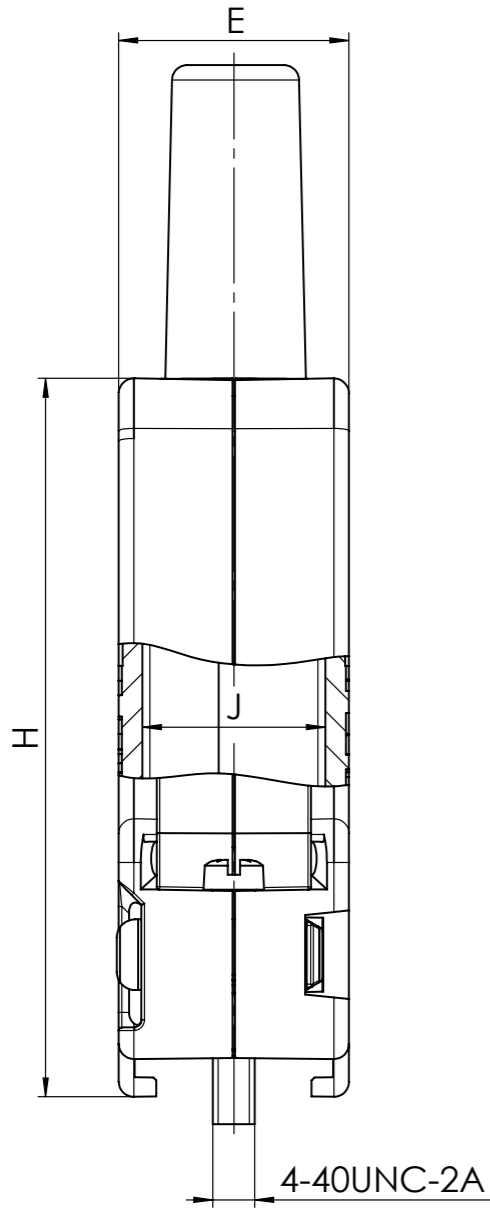


THE DATASHEET OF
1727040096



1	2	3	4	5	6	7	8												
Material-No.	Order-No.	Shell Size / for No. of Contacts	A ±0.3	B ±0.1	C ±0.3	D ±0.3	E ±0.3	∅F1 min - max	∅F2 max Rubber bushing	G ±0.3	H ±0.3	J ±0.3	K ±0.3	L ±0.3	M ±0.5	N ±0.3	Q	R ±0.3	
1727040096	FMK1G	1 / 9	14.9	25	31.6	39.5	15.2	3 - 9.5	6.5	FKT1-2	20.1	42	12.1	17	19.4	23.5	12	-	-
1727040098	FMK2G	2 / 15	15.9	33.3	40	41	15.2	3 - 8.5	6.5	FKT1-2	23.3	43.5	12.1	25.8	27.9	19	16	84°	-
1727040100	FMK3G	3 / 25	27.8	47	53.7	45	15.2	3 - 8.5	8	FKT1-2A	31.7	47.5	12.1	39	41.4	28	16	80°	12.9
1727040102	FMK4G	4 / 37	44.3	63.5	70.2	48	18.2	3 - 12	9	FKT3-4	48.2	50.5	12.1	55.5	57.8	32.5	21	80°	16.1
1727040104	FMK5G	5 / 50	41.9	61.1	67.8	48	18.2	3 - 12	9.7	FKT3-4A	45.8	50.5	15.1	53.1	55.5	32.5	21	80°	16.1

∅F1 = Cable diameter without rubber bushing
∅F2 = Cable diameter with rubber bushing



RoHS compliant

max. torque are 40 Ncm
Part-No. 8 not mounted
FMK1G with Part-No. 5 alternatively
in Zinc die-cast, tin plated
FMK1G without Part-No. 6

No.	St.	Part	Type Description/Material	Surface plating/Colour/Class
8	1	Rubber bushing	TPE	black
7	2	Locking screw	FVS1/5-K1163 4-40 / Steel	nickel plated
6	0/2	Cable reduction plate	Zinc die-cast	nickel plated over copper
5	1	Strain relief	ABS	nickel plated over copper
4	1	Cable clamp	Steel	tin plated over nickel
3	4	Screw	Case hardened steel	zinc plated over copper
2	2	Catch spring	PEI	black
1	1	Hood	FMK1-5G / Zinc die-cast	nickel plated over copper

SYMBOLS					THIS DRAWING CONTAINS INFORMATION THAT IS PROPRIETARY TO MOLEX ELECTRONIC TECHNOLOGIES, LLC AND SHOULD NOT BE USED WITHOUT WRITTEN PERMISSION					
▽ = 0	▽ = 0	▽ = 0	▽ = 0	▽ = 0	DIMENSION UNITS	SCALE	MEASUREMENTS WITHOUT TOLERANCE ACC. TO	molex		
▽ = 0	▽ = 0	▽ = 0	▽ = 0	mm	2:1	ISO 2768-m	FCT Metal Hood			
▽ = 0	▽ = 0	▽ = 0	▽ = 0	▽ = 0	CURRENT REVISION			PRODUCT CUSTOMER DRAWING		
▽ = 0	▽ = 0	▽ = 0	▽ = 0	▽ = 0	9	24230	DRWN: DRAWN BY ameyerrichte	10-09-2020	MATERIAL NUMBER	REVISION
▽ = 0	▽ = 0	▽ = 0	▽ = 0	▽ = 0	8	24130	APPR: APPR BY hstanisch	10-09-2020	see table	9
▽ = 0	▽ = 0	▽ = 0	▽ = 0	▽ = 0	7	24071	DRWN: DRAWN BY Anke.Meyer-Richter	15-01-2008	DOCUMENT NUMBER	SHEET NUMBER
▽ = 0	▽ = 0	▽ = 0	▽ = 0	▽ = 0	REV.	CH.-NO.	APPR: APPR BY Gabriele.Wagner	07-02-2008	FMK1-5G	1 OF 1
▽ = 0	▽ = 0	▽ = 0	▽ = 0	▽ = 0	REPLACEMENT FOR:	THIRD ANGLE PROJECTION	DRAWING	A3-SIZE	CUSTOMER	
▽ = 0	▽ = 0	▽ = 0	▽ = 0	▽ = 0	FMK1-5G_SW				GENERAL MARKET	

COMMENT: ALL RIGHTS ARE RESERVED BY US FOR THIS DRAWING. WITHOUT OUR PRIOR CONSENT, IT MAY NEITHER BE DUPLICATED NOR MADE AVAILABLE TO A THIRD PARTY. AND IT ALSO MAY NOT BE IMPROPERLY USED BY THE RECEIVER, OR A THIRD PARTY.

Looking for pricing, stock, or lifecycle information?

Click below to explore more details on WIN SOURCE:

 [View 1727040096 on WIN SOURCE](#)

 [Molex, LLC Information](#)

Optimize Your Supply Chain with WIN SOURCE Solutions

-  Global Sourcing Solution
-  Obsolete Management
-  Cost Control Management
-  Shortage Management
-  Alternative Solution
-  Excess Inventory Management