



THE DATASHEET OF
687140149022



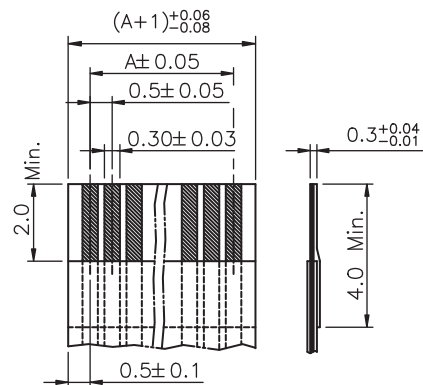
1

2

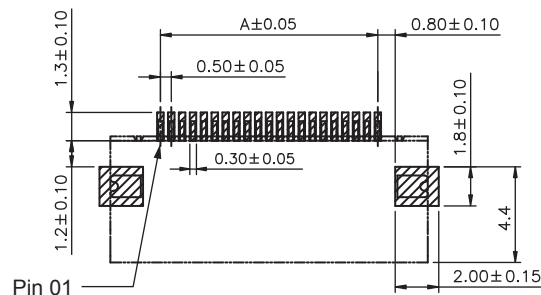
3

4

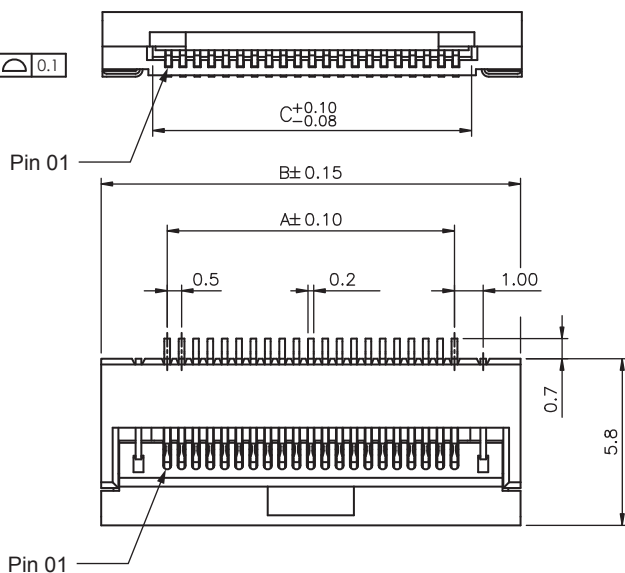
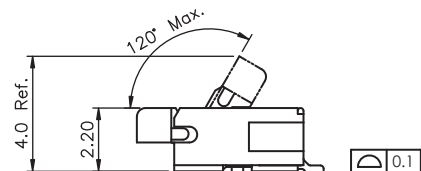
5



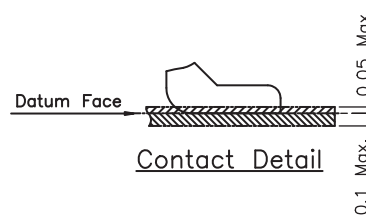
ACCOMODATED FFC/FPC



PCB LAYOUT - COMPONENT VIEW



DIM.A = 0.50 x No. of Spaces
 DIM.B = DIM.A + 4.6
 DIM.C = DIM.A + 1.1



TECHNICAL CHARACTERISTICS

MATERIAL
 INSULATOR: PA 6T
 FLAMABILITY RATING: UL94-V0
 COLOUR: IVORY
 ACTUATOR: PA 6T
 COLOUR: BLACK
 CONTACT MATERIAL: PHOSPHOR BRONZE
 CONTACT PLATING: 120µ" TIN OVER 50µ" NICKEL
 QUALITY CLASS: 20 MATING CYLCES
 PITCH: 0.50mm

ENVIRONMENTAL
 OPERATING TEMPERATURE: -40°C UP TO +105°C
 COMPLIANCE: LEAD FREE AND ROHS

ELECTRICAL
 CURRENT RATING: 0.5A
 WORKING VOLTAGE: 50V AC/DC
 INSULATION RESISTANCE: >500 MΩ
 WITHSTANDING VOLTAGE: 150 VAC/min
 CONTACT RESISTANCE: 50 mΩ max

STANDARD
 CERTIFIED: E323964

SOLDERING
 JEDEC LEAD FREE REFLOW SOLDERING PROCESS

PACKAGING
 TAPE & REEL

AVAILABLE IN
 6-8-10-12-14-16-17-18-20-22-24-26-28-
 30-32-33-34-35-40-44-45-50

RoHS Compliant

G			
F			
E			
D	03-AUG-16	TOLERANCE	AK
C	01-DEC-15	PUNNING	AK
B	07-OCT-15	LAYOUT	AK
A	20-OCT-14	PDF	AS
REV	DATE	FILE	BY

PROJECTION:

APPROVAL: GMo

GENERAL TOLERANCE
 .X = +/- 0.15
 .XX = +/- 0.10

UNIT: MM
 SCALE:
 SHEET: 1/3
 DRAW: AS

DESCRIPTION: WR-FPC -SMT ZIF HORIZONTAL - BOTTOM CONTACT, 0.50MM HINGE TYPE
 WERI PART NO: 687 1xx 149 022

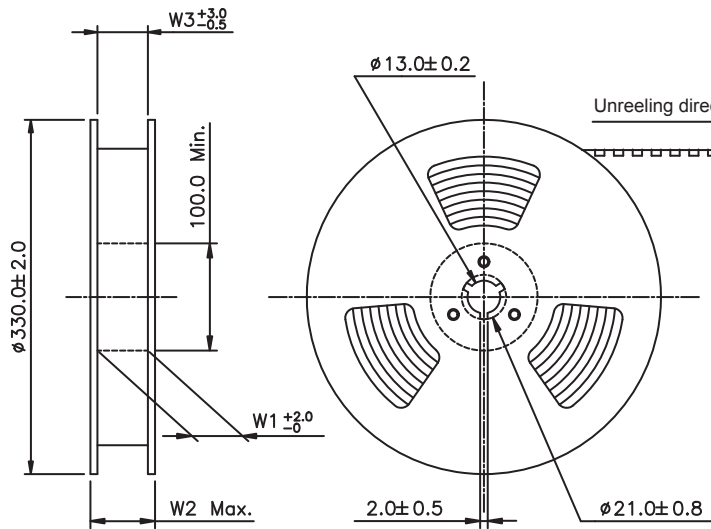
SIZE
A4

A

B

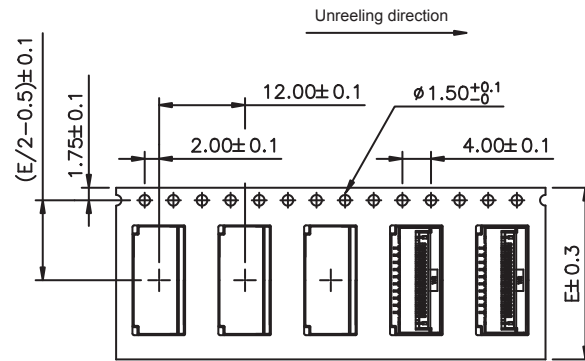
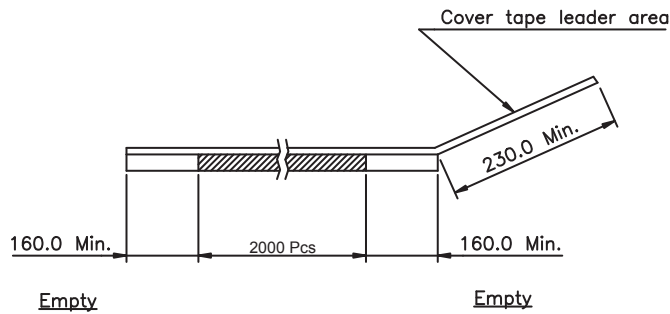
C

D

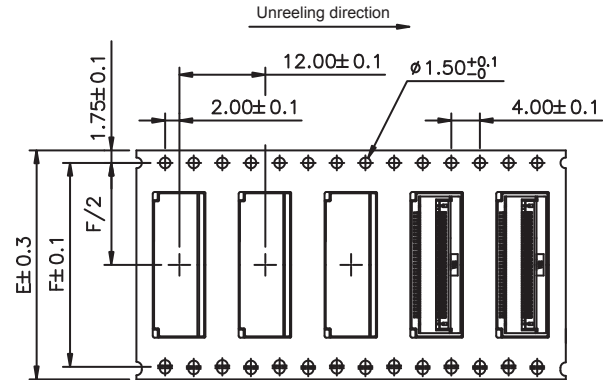


2000 Pcs/Reel

Circuits(0.5mm Pitch)	Dimension					Packing (Reel/Caton)
	E	F	W1	W2	W3	
5-9	16.0	—	16.5	22.5	16.5	11
10-25	24.0	—	24.5	30.5	24.5	9
26-34	32.0	28.40	32.5	38.5	32.5	7
35-55	44.0	40.40	44.5	50.5	44.5	5
56-65	56.0	52.50	56.5	62.5	56.5	4

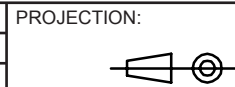


WIDTH : 16.24 mm Carrier



WIDTH : 32.44,56 mm Carrier

RoHS Compliant			
G			
F			
E			
D			
C			
B			
A	20-OCT-14	PDF	AS
REV	DATE	FILE	BY



GENERAL TOLERANCE
 .X = ± 0.15
 .XX = ± 0.10



APPROVAL: GM

UNIT: MM
 SCALE:
 SHEET: 2/3
 DRAW: AS

DESCRIPTION: WR-FPC - SMT ZIF HORIZONTAL - BOTTOM CONTACT, 0.50MM HINGE TYPE -
 WERI PART NO: 687 1xx 149 022

SIZE
A4

1

2

3

4

5

Cautions and Warnings:

This electronic component is designed and developed with the intention for use in general electronics equipments.

Before incorporating the components into any equipments in the field such as aerospace, aviation, nuclear control, submarine, transportation, (automotive control, train control, ship control), transportation signal, disaster prevention, medical, public information network etc. where higher safety and reliability are especially required or if there is possibility of direct damage or injury to human body, Würth Elektronik must be asked for a written approval.

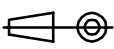

In addition, even electronic component in general electronic equipments, when used in electrical circuits that require high safety, reliability functions or performance, the sufficient reliability evaluation-check for the safety must be performed before by the user before usage.

A

B

C

RoHS Compliant

G				PROJECTION: 	GENERAL TOLERANCE .X = +/- 0.2 .XX = +/- 0.15		
F							
E							
D							
C				APPROVAL: JC	UNIT: MM	DESCRIPTION: DISCLAIMER	SIZE A4
B					SCALE:		
A	10-SEP-14	PDF	QL		SHEET: 3/3	WERI PART NO: DISCLAIMER	
REV	DATE	FILE	BY		DRAW: QL		

D

Looking for pricing, stock, or lifecycle information?

Click below to explore more details on WIN SOURCE:

 [View 687140149022 on WIN SOURCE](#)

 [Wurth Electronics Inc](#) Information

Optimize Your Supply Chain with WIN SOURCE Solutions

-  Global Sourcing Solution
-  Obsolete Management
-  Cost Control Management
-  Shortage Management
-  Alternative Solution
-  Excess Inventory Management