



THE DATASHEET OF
189-015-513R491



T D-SUB - FEMALE OVER FEMALE

25 PIN
SHOWN

DIMENSIONS (IN.)				
	9	15	25	37
A	1.204	1.535	2.078	2.724
B	0.984	1.312	1.850	2.500
C	0.494	0.494	0.494	0.494

SPECIFICATION:

MATERIAL: SHELL: STEEL, NICKEL PLATED
INSULATOR: UL 94V-0 RATED, BLACK PA9T, 260° PROCESS TEMP.
CONTACTS: BRASS
CONTACT PLATING: GOLD PLATED ENTIRE CONTACT

ELECTRICAL:
INSULATOR RESISTANCE: 1,000 Ohms Min.
DIELECTRIC STRENGTH: 1,000V/AC RMS
CURRENT RATING: 5 AMPS
OPERATING TEMPERATURE: -55° C TO 105° C

189-YYY-513R491

SERIES POSITIONS

009
015
025
037

GENDER

31 = FEMALE OVER MALE
41 = FEMALE OVER FEMALE
51 = FEMALE OVER FEMALE
61 = MALE OVER MALE

SHELL PLATING

3 = NICKEL

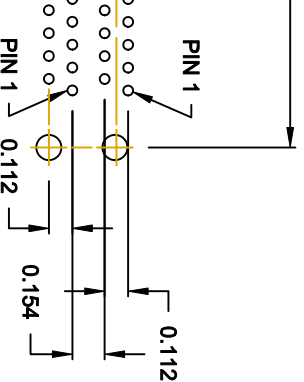
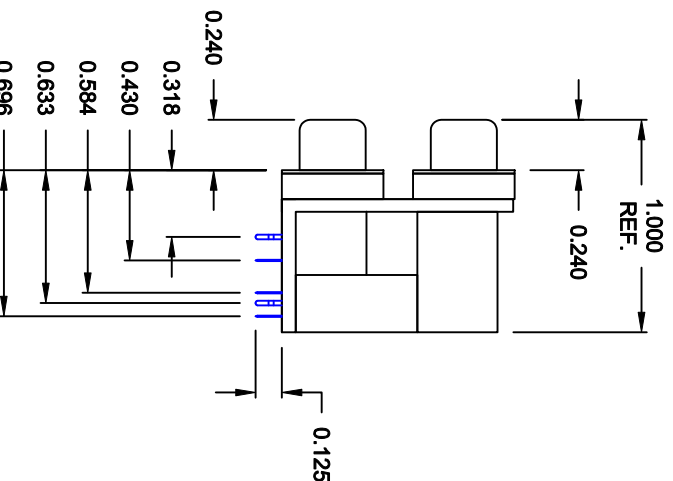
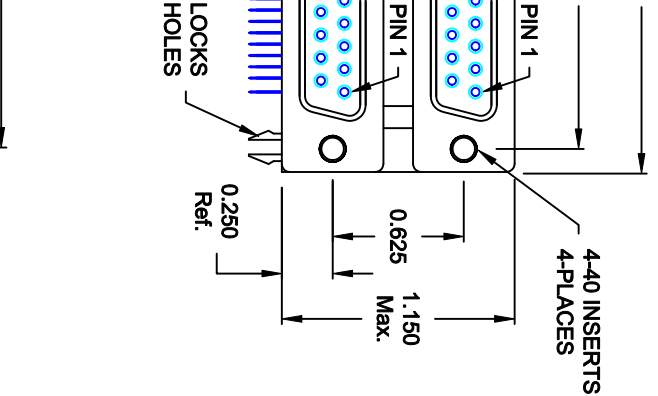
ROHS COMPLIANT (HIGH TEMP. PROCESS)

HARDWARE OPTIONS

49 = 4-40 INSERTS/BOARD LOCKS

PLATING OPTIONS

1 = GOLD FLASH (ENTIRE CONTACT)
A = 30u" GOLD MATING AREA/GOLD FLASH TAILS
9 = 30u" GOLD MATING AREA/TIN TAILS



DO NOT SCALE FROM DRAWING

THESE DRAWINGS AND SPECIFICATIONS ARE THE PROPERTY OF NorComp AND SHALL NOT BE REPRODUCED, COPIED OR USED AS THE BASIS FOR THE MANUFACTURE OR SALE OF APPARATUS WITHOUT WRITTEN PERMISSION.

DRAWN: C. SMITH **DATE: 03-30-07**
CHECKED: **DATE:**

SCALE: 1:1 **SHEET 1 OF 1** **REV 5**

Looking for pricing, stock, or lifecycle information?

Click below to explore more details on WIN SOURCE:

 [View 189-015-513R491 on WIN SOURCE](#)

 [NorComp Inc. Information](#)

Optimize Your Supply Chain with WIN SOURCE Solutions

-  Global Sourcing Solution
-  Obsolete Management
-  Cost Control Management
-  Shortage Management
-  Alternative Solution
-  Excess Inventory Management