



**THE DATASHEET OF  
DAC-SFP-10G-0.5M-C**



## Product Datasheet

### DAC-SFP-10G-0.5M-C

#### Dell® Compatible 10Gb/s SFP+ Direct Attach Cable Copper, Passive

##### FEATURES

- Available lengths 0.5m to 10m
- Supports multi-gigabit data rates up to 10.5Gbps
- Supports 1x, 2x, 4x and 8x Fiber Channel data rates
- Hot-pluggable SFP 20PIN footprint
- Serial ID module on MOD (0-2)
- AC coupling of PECL signals
- EMI/EMC performance
- Low Power Consumption < 0.5W
- Power Supply:+3.3V
- Compliant to SFP+ MSA
- Temperature Range: 0~ 70 °C
- ROHS

##### APPLICATIONS

- Storage Area Networks (SAN), Network Attached Storage and Storage Servers
- 1G/2G/4G/8G Fiber Channel
- Switched fabric I/O such as ultra-high bandwidth switches and routers
- Data center cabling infrastructure
- High density connections among network equipment

##### STANDARDS

- Compliant with SFP MSA (INF-8074i)

##### DESCRIPTION

ATGBICS Compatible DAC-SFP-10G-0.5M-C SFP+ cable is a high-performance, cost effective I/O solution for 10Gb Ethernet and 10G Fiber Channel applications. SFP+ copper modules allow hardware manufacturers to achieve high port density, configurability and utilization at a very low cost and to reduce power budget. The high-speed cable assemblies meet and exceed the performance and reliability requirements stipulated by Gigabit Ethernet and Fiber Channel industry standard.

## Product Datasheet

### Recommended Operating Environment:

| Parameter                   | Symbol         | Min  | Typical | Max  | Unit |
|-----------------------------|----------------|------|---------|------|------|
| Storage Ambient Temperature |                | -40  |         | +85  | ° C  |
| Operating Case Temperature  | T <sub>c</sub> | 0    |         | +70  | ° C  |
| Power Supply Voltage        | VCC            | 3.14 | 3.3     | 3.47 | V    |
| Power Dissipation           | PD             |      |         | 0.5  | W    |

### Systems

| Performance   | Media  |
|---|--|
| 10.5 Gpbs line speed, full duplex<br><br>Bit error rate: better than 10E-12 | Hot-pluggable, industry-standard Small Form-Factor |

### Specifications (Tested under recommended operating conditions, unless otherwise noted)

| Parameter                                     | Symbol             | Min | Type | Max             | Units | Notes |
|---|--------------------|-----|------|-----------------|-------|-------|
| <b>Electrical Characteristics</b>             |                    |     |      |                 |       |       |
| Supply Current                                | I <sub>cc</sub>    | -   | -    | 100             | mA    | 1     |
| Transmitter Differential Input Voltage (PECL) | V <sub>IN</sub>    | 250 | -    | 1200            | mVpp  |       |
| Receiver Differential Output Voltage (PECL)   | V <sub>O</sub>     | 185 | -    | 1000            | mVpp  |       |
| Impedance                                     | Z <sub>cable</sub> | 90  | 100  | 110             | Ohms  |       |
| MOD-DEF1, 2                                   | V <sub>IH</sub>    | 2.0 | -    | V <sub>cc</sub> | V     |       |

#### Note:

1. The supply current includes SFP Module's supply current and test board working current.

## Product Datasheet

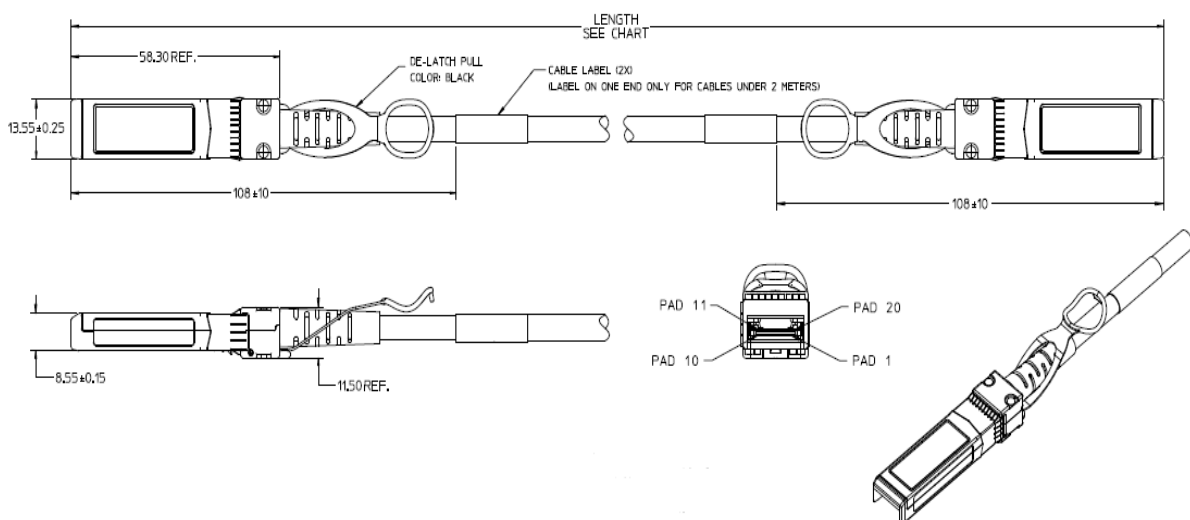
### Physical Data

| Parameter      | Description            | 30AWG | 24AWG | Units |
|----------------|------------------------|-------|-------|-------|
| Cable Diameter | OD                     | 4.5   | 6.5   | mm    |
| Bend Radius    | Minimum Sustained Bend | 25    | 35    | mm    |

### AWG Information



| Reach @ 10Gb/s (m) | AWG |
|--------------------|-----|
| 0.5                | 30  |
| 1                  | 30  |
| 3                  | 30  |
| 5                  | 24  |
| 7                  | 24  |
| 10                 | 24  |

### Mechanical Information



## Looking for pricing, stock, or lifecycle information?

Click below to explore more details on WIN SOURCE:

-  [View DAC-SFP-10G-0.5M-C on WIN SOURCE](#)
-  [ATGBICS Information](#)

## Optimize Your Supply Chain with WIN SOURCE Solutions

-  Global Sourcing Solution
-  Obsolete Management
-  Cost Control Management
-  Shortage Management
-  Alternative Solution
-  Excess Inventory Management