



**THE DATASHEET OF  
ET60T-D02-3-08-D02-L-R1-S**



DO NOT  
SCALE FROM  
THIS PRINT

ET60T-XXX-X-XX-XXX-X-RX-X-X

**POWER OPTION (LEFT)**  
-AXX: AC POWER  
-DXX: DC POWER  
\*SXX: SPLIT POWER  
-000: NO POWER  
(SEE NOTE 3)

**ROWS**  
-0: NO SIGNAL  
-3: 3 ROWS  
-5: 5 ROWS

**SIGNAL POS PER ROW**  
-00: NO SIGNAL  
-XX: SEE NOTE 4

**OPTIONS**  
-H: HOT SWAP  
(NOT RELEASED FOR -5 SIGNAL ROW)  
(LEAVE BLANK FOR NO HOT SWAP)

**GUIDE POST**  
(MUST CHOOSE ONE)  
-T: TOP (NOT AVAILABLE WITH -SXX)  
-S: SIDE

**TAIL**  
-R1: FOR .062" PCB  
-R2: FOR .093" PCB  
(NOT AVAILABLE FOR -3 SIGNAL ROW)  
-RP: PRESS FIT  
(NOT AVAILABLE FOR -3 SIGNAL ROW)

**POWER OPTION (RIGHT)**  
-AXX: AC POWER  
-DXX: DC POWER  
\*SXX: SPLIT POWER  
-000: NO POWER  
(SEE NOTE 3)

(\* =NOT RELEASED)

**PLATING SPECIFICATION**  
-L: 10 μ" SELECTIVE GOLD IN CONTACT  
AREA, MATTE TIN ON TAIL  
-S: 30 μ" SELECTIVE GOLD IN CONTACT  
AREA, MATTE TIN ON TAIL

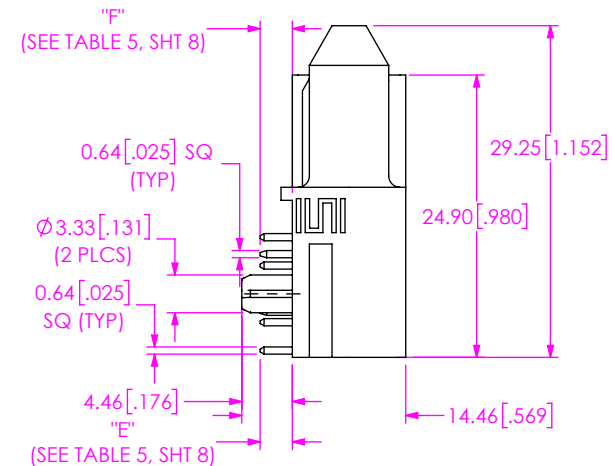
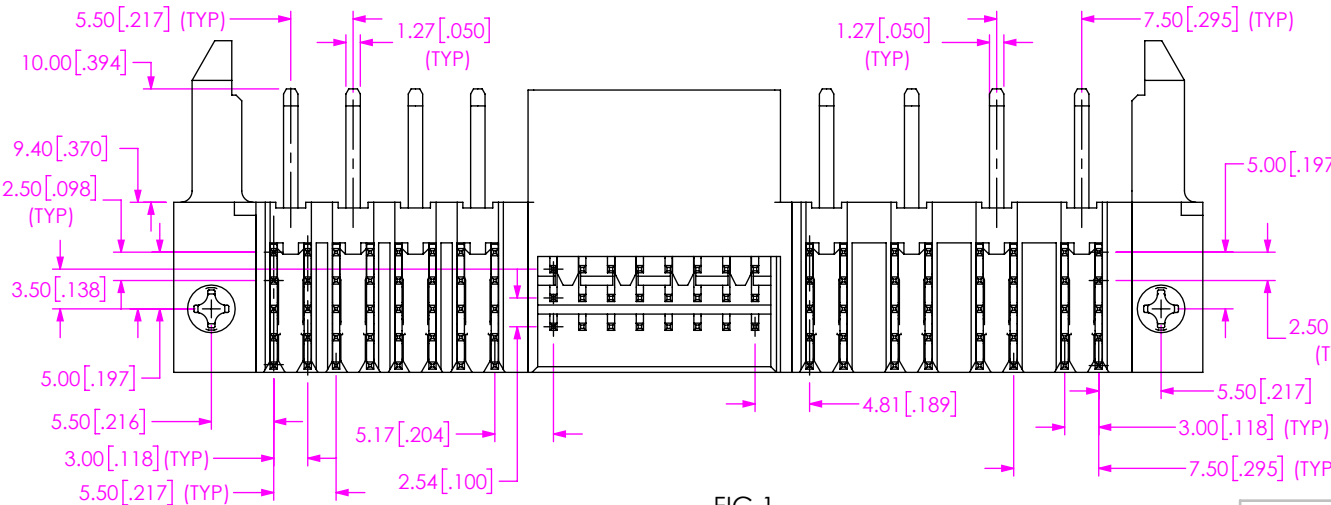
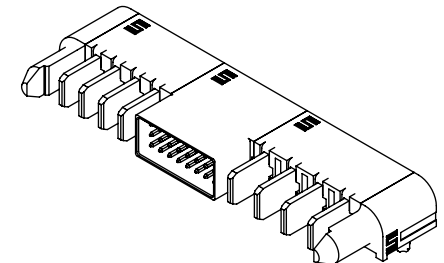
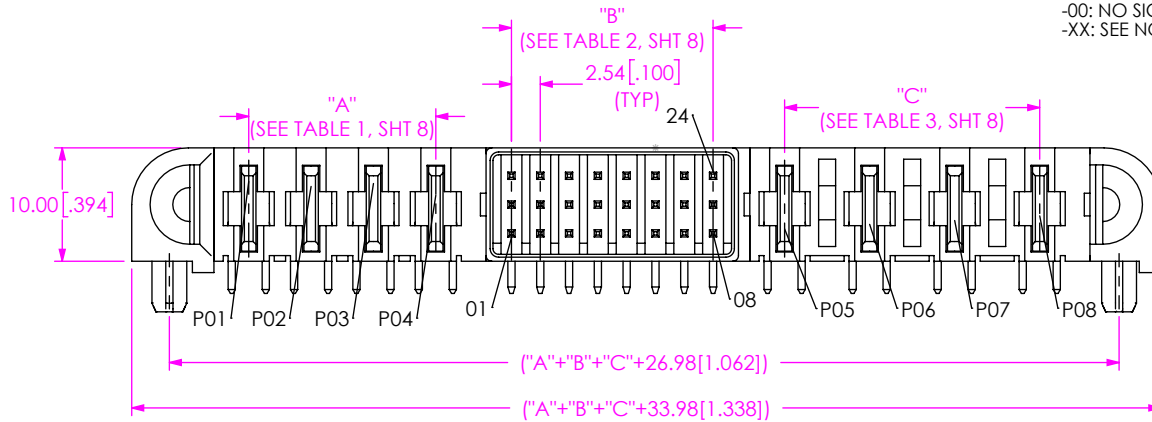


FIG 1  
ET60T-D04-3-08-A04-X-R1-S SHOWN

NOTES:

- SEE PRODUCT SPECIFICATION FOR CONNECTOR PRESS FIT INSTRUCTIONS AND REQUIRED FIXTURES.
- ASSEMBLIES TO BE PACKAGED IN TRAYS.
- AC POWER: \*01, -02, -03, -04, -05, -06;  
-DC POWER: \*01, -02, -03, -04, -05, -06, -07, -08, -09, -10.  
SPLIT POWER: \*01, \*02, \*03.
- 3 ROWS: \*02, \*04, \*06, -08, \*10, \*12;  
-5 ROWS: -01, -02, -03, -04, -05, -06, -07, -08
- ORDERS WILL BE PACKAGED ACCORDING TO THE SAMTEC PACKAGING EFFICIENCY STANDARDS (SPES) FOUND ON WWW.SAMTEC.COM.

PROPRIETARY NOTE

THIS DOCUMENT CONTAINS CONFIDENTIAL AND PROPRIETARY INFORMATION AND ALL DESIGN, MANUFACTURING, REPRODUCTION, USE, PATENT RIGHTS AND SALES RIGHTS ARE EXPRESSLY RESERVED BY SAMTEC, INC. THIS DOCUMENT SHALL NOT BE DISCLOSED, IN WHOLE OR PART, TO ANY UNAUTHORIZED PERSON OR ENTITY NOR REPRODUCED, TRANSFERRED OR INCORPORATED IN ANY OTHER PROJECT IN ANY MANNER WITHOUT THE EXPRESS WRITTEN CONSENT OF SAMTEC, INC.

DO NOT SCALE DRAWING  
SHEET SCALE: 3:2

MATERIAL:  
INSULATOR: LCP, COLOR: BLACK  
SIGNAL TERMINAL: COPPER ALLOY  
POWER TERMINAL: COPPER ALLOY

**samtec**

520 PARK EAST BLVD, NEW ALBANY, IN 47150  
PHONE: 812-944-6733 FAX: 812-948-5047  
e-Mail info@SAMTEC.com code 55322

DESCRIPTION:  
ET60 RA POWER/SIGNAL HEADER

DWG. NO.  
ET60T-XXX-X-XX-XXX-X-RX-X-X

BY: TOBIN Q 8/30/2023 SHEET 1 OF 11

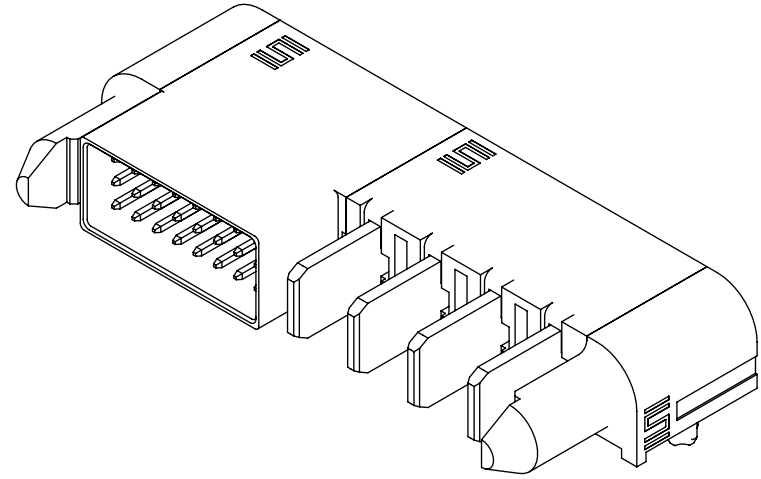
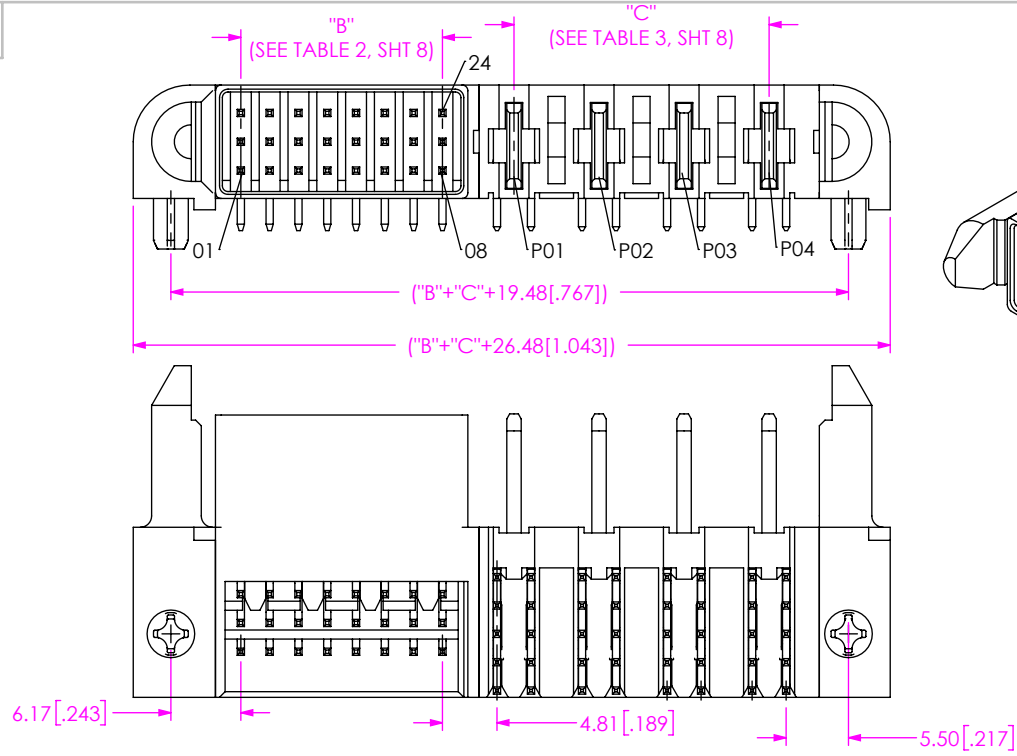


FIG 2  
ET60T-000-3-08-A04-X-R1-S SHOWN  
(DIFFERENT AS SHOWN, OTHERWISE SAME AS FIG 1)

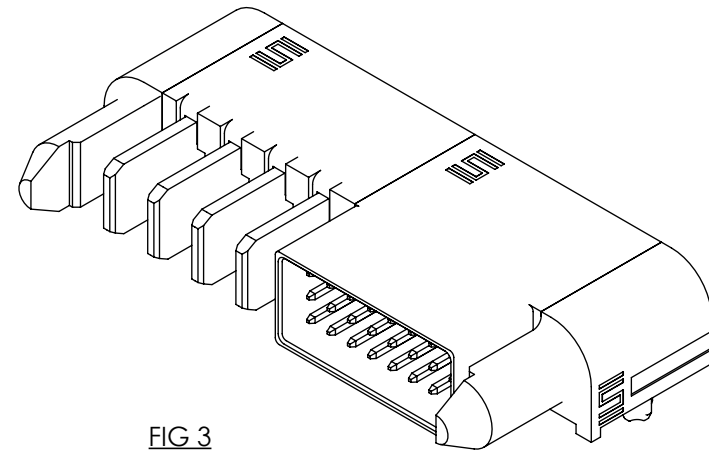
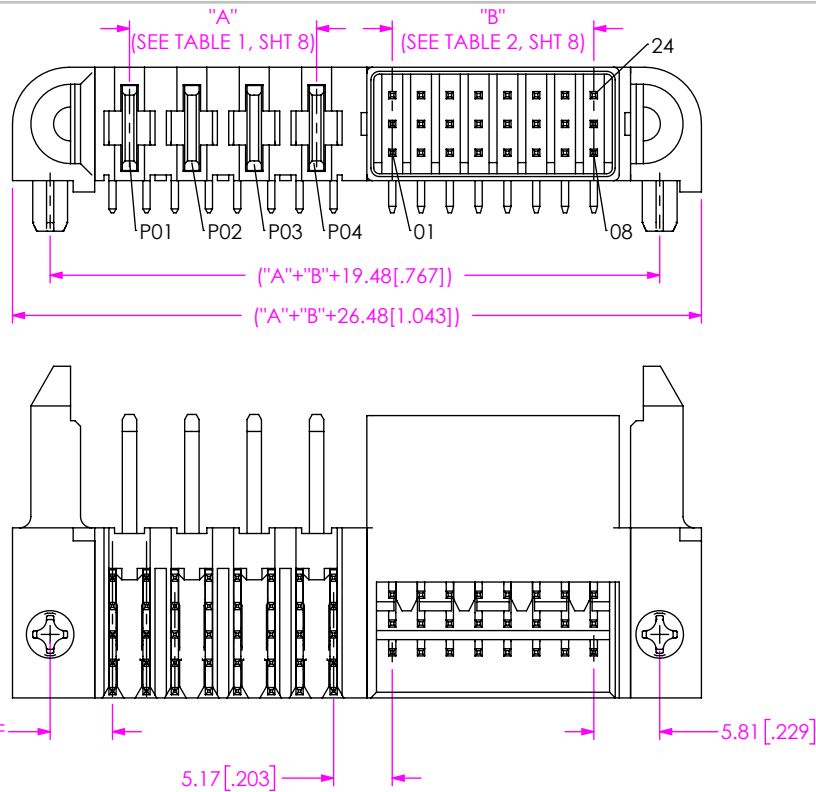


FIG 3  
ET60T-D04-3-08-000-X-R1-S SHOWN  
(DIFFERENT AS SHOWN, OTHERWISE SAME AS FIG 1)

PROPRIETARY NOTE  
THIS DOCUMENT CONTAINS CONFIDENTIAL AND PROPRIETARY INFORMATION AND ALL DESIGN, MANUFACTURING, REPRODUCTION, USE, PATENT RIGHTS AND SALES RIGHTS ARE EXPRESSLY RESERVED BY SAMTEC, INC. THIS DOCUMENT SHALL NOT BE DISCLOSED, IN WHOLE OR PART, TO ANY UNAUTHORIZED PERSON OR ENTITY NOR REPRODUCED, TRANSFERRED OR INCORPORATED IN ANY OTHER PROJECT IN ANY MANNER WITHOUT THE EXPRESS WRITTEN CONSENT OF SAMTEC, INC.



520 PARK EAST BLVD, NEW ALBANY, IN 47150  
PHONE: 812-944-6733 FAX: 812-948-5047  
e-Mail info@SAMTEC.com code 55322

SHEET SCALE: 3:2

DESCRIPTION:  
ET60 RA POWER/SIGNAL HEADER

DWG. NO.  
ET60T-XXX-X-XX-XXX-X-RX-X-X

BY: TOBIN Q 8/30/2023 SHEET 2 OF 11

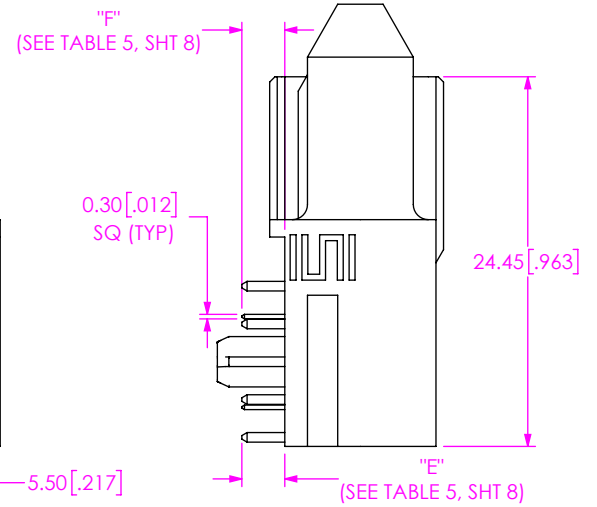
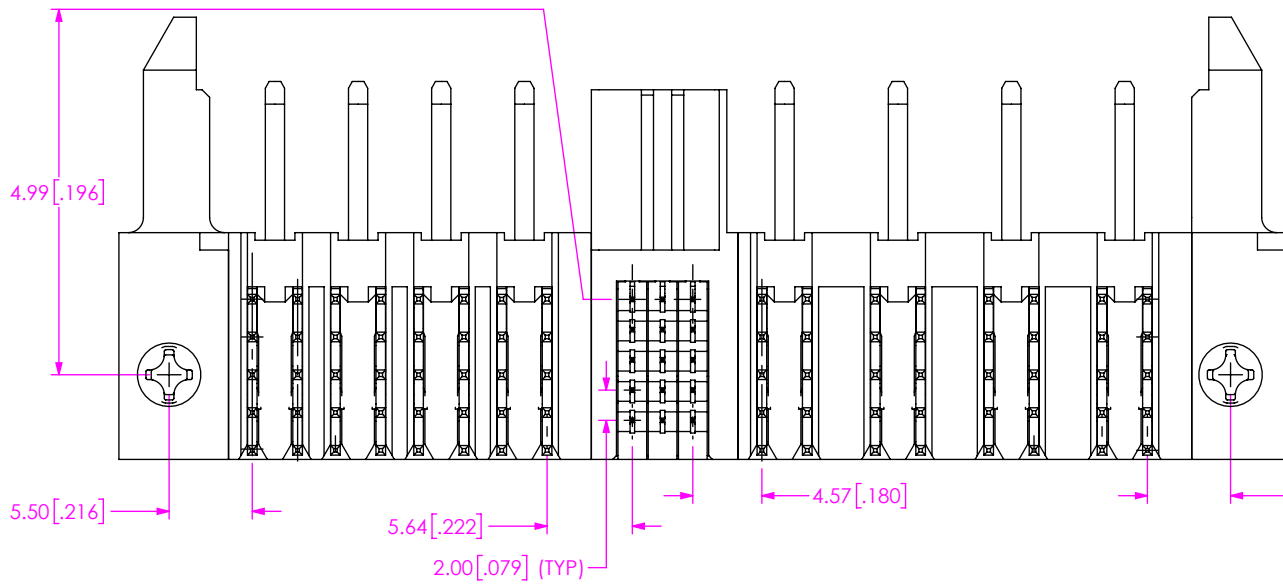
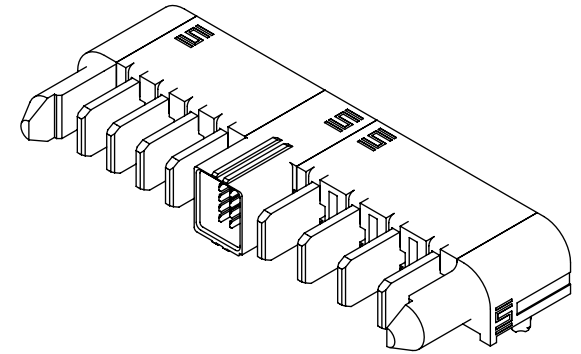
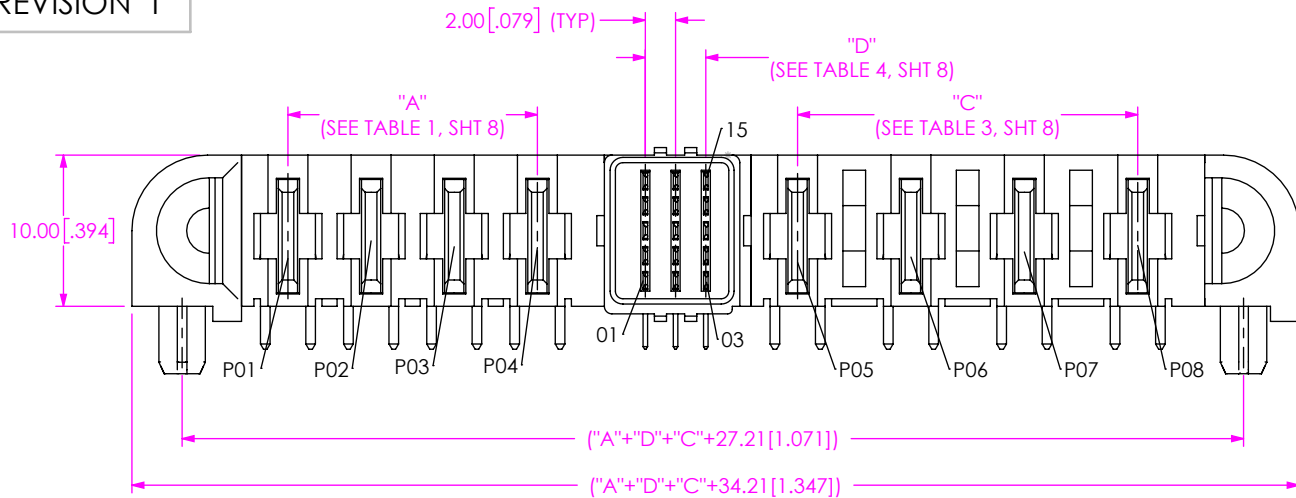


FIG 4  
ET60T-D04-5-03-A04-X-RX-S SHOWN  
(DIFFERENT AS SHOWN, OTHERWISE SAME AS FIG 1)

**PROPRIETARY NOTE**  
THIS DOCUMENT CONTAINS CONFIDENTIAL AND PROPRIETARY INFORMATION AND ALL DESIGN, MANUFACTURING, REPRODUCTION, USE, PATENT RIGHTS AND SALES RIGHTS ARE EXPRESSLY RESERVED BY SAMTEC, INC. THIS DOCUMENT SHALL NOT BE DISCLOSED, IN WHOLE OR PART, TO ANY UNAUTHORIZED PERSON OR ENTITY NOR REPRODUCED, TRANSFERRED OR INCORPORATED IN ANY OTHER PROJECT IN ANY MANNER WITHOUT THE EXPRESS WRITTEN CONSENT OF SAMTEC, INC.



520 PARK EAST BLVD., NEW ALBANY, IN 47150  
PHONE: 812-944-6733 FAX: 812-948-5047  
e-Mail info@SAMTEC.com code 55322

SHEET SCALE: 3:2

DESCRIPTION:  
ET60 RA POWER/SIGNAL HEADER

DWG. NO.  
ET60T-XXX-X-XX-XXX-X-RX-X-X

BY: TOBIN Q 8/30/2023 SHEET 3 OF 11

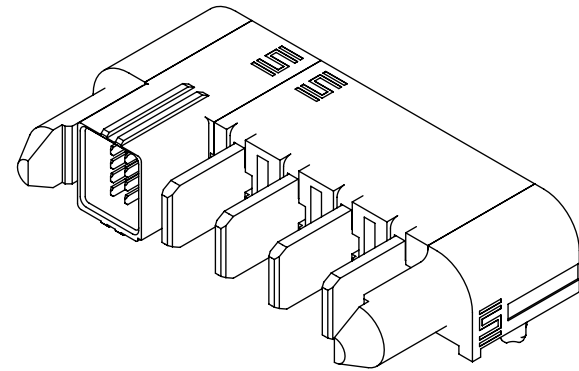
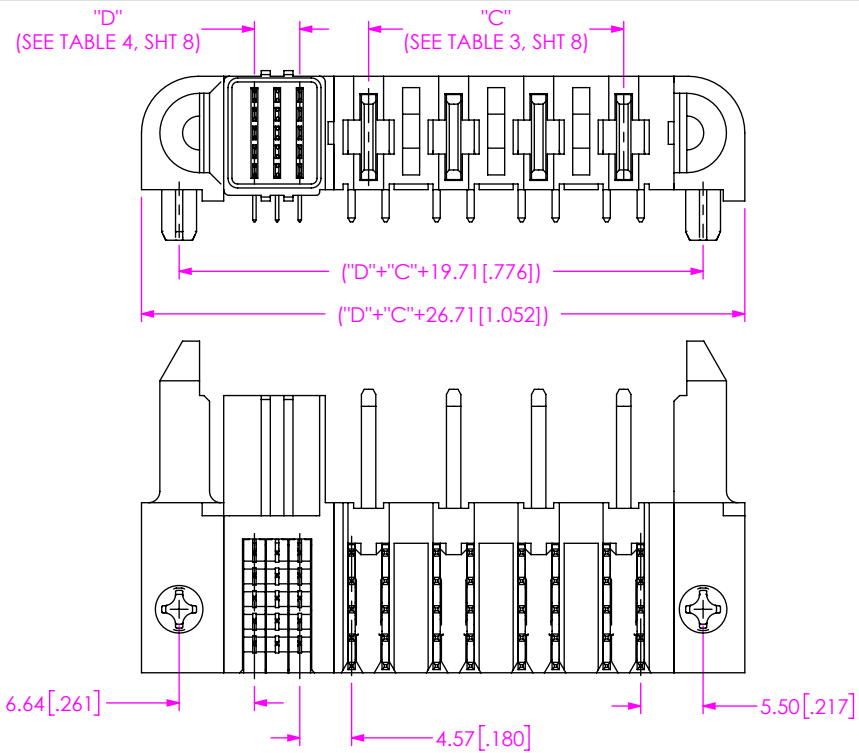


FIG 5  
ET60T-000-5-03-A04-X-RX-S SHOWN  
(DIFFERENT AS SHOWN, OTHERWISE SAME AS FIG 4)

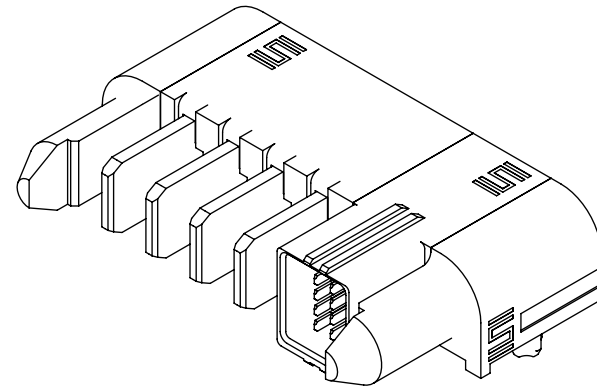
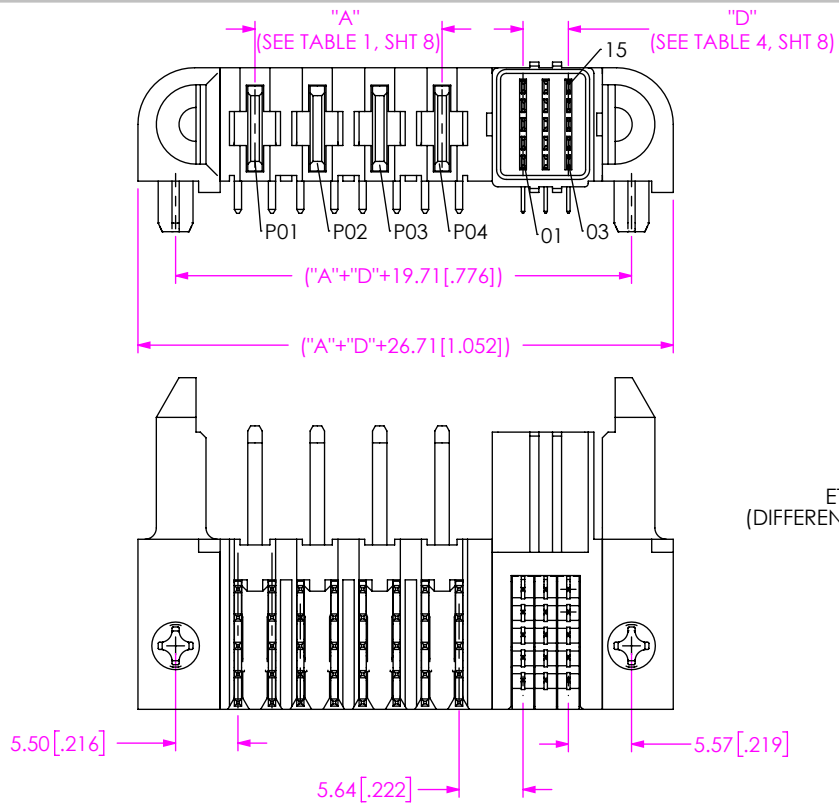


FIG 6  
ET60T-D04-5-03-000-X-RX-S SHOWN  
(DIFFERENT AS SHOWN, OTHERWISE SAME AS FIG 4)

PROPRIETARY NOTE  
THIS DOCUMENT CONTAINS CONFIDENTIAL AND PROPRIETARY INFORMATION AND ALL DESIGN, MANUFACTURING, REPRODUCTION, USE, PATENT RIGHTS AND SALES RIGHTS ARE EXPRESSLY RESERVED BY SAMTEC, INC. THIS DOCUMENT SHALL NOT BE DISCLOSED, IN WHOLE OR PART, TO ANY UNAUTHORIZED PERSON OR ENTITY NOR REPRODUCED, TRANSFERRED OR INCORPORATED IN ANY OTHER PROJECT IN ANY MANNER WITHOUT THE EXPRESS WRITTEN CONSENT OF SAMTEC, INC.

SHEET SCALE: 3:2

**samtec**

520 PARK EAST BLVD, NEW ALBANY, IN 47150  
PHONE: 812-944-6733 FAX: 812-948-5047  
e-Mail: info@SAMTEC.com code 55322

DESCRIPTION:  
ET60 RA POWER/SIGNAL HEADER

DWG. NO.  
ET60T-XXX-X-XX-XXX-X-RX-X-X

BY: TOBIN Q 8/30/2023 SHEET 4 OF 11

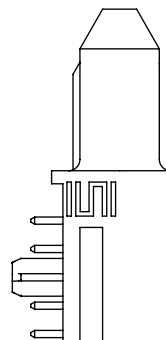
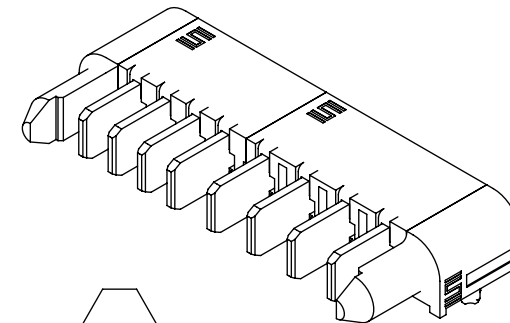
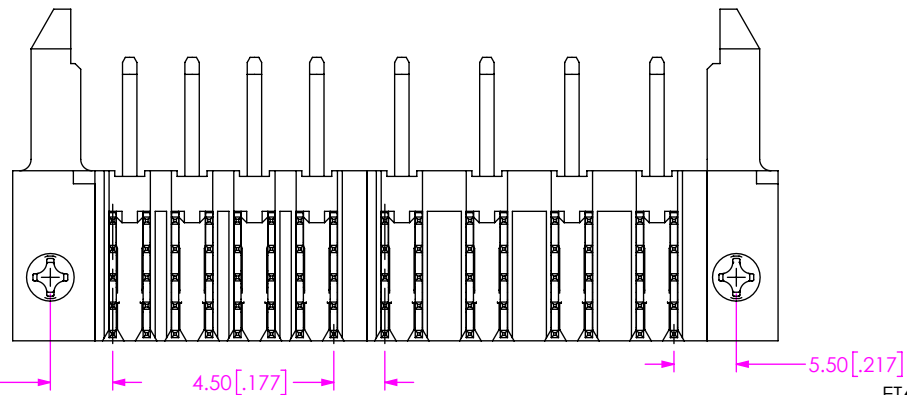
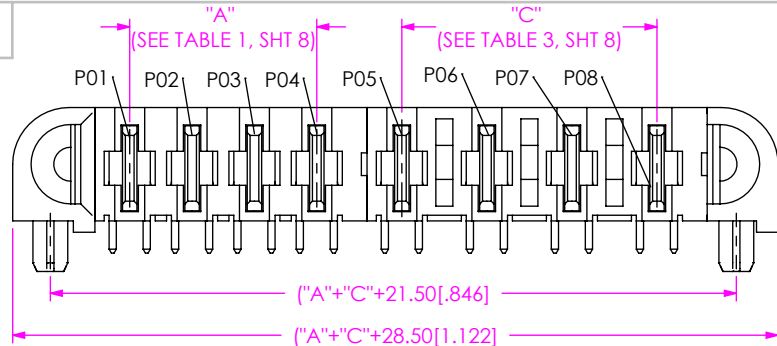


FIG 7  
ET60T-D04-0-00-A04-X-R1-S SHOWN  
(DIFFERENT AS SHOWN, OTHERWISE SAME AS FIG 1)

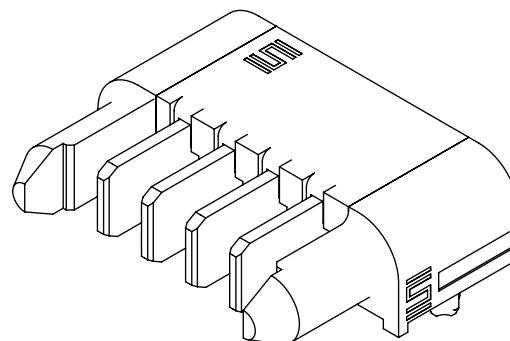
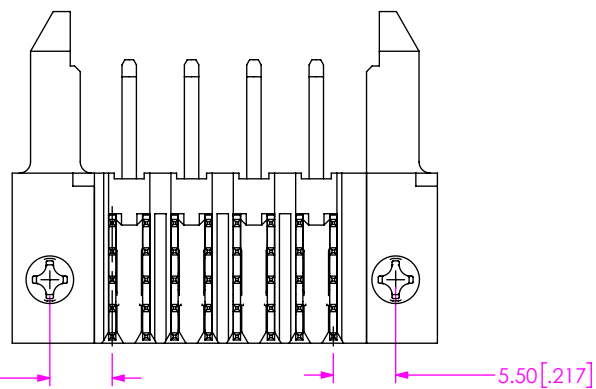
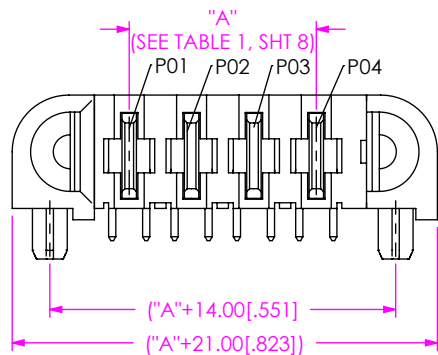


FIG 8  
ET60T-D04-0-00-000-X-R1-S SHOWN  
(DIFFERENT AS SHOWN, OTHERWISE SAME AS FIG 1)

PROPRIETARY NOTE

THIS DOCUMENT CONTAINS CONFIDENTIAL AND PROPRIETARY INFORMATION AND ALL DESIGN, MANUFACTURING, REPRODUCTION, USE, PATENT RIGHTS AND SALES RIGHTS ARE EXPRESSLY RESERVED BY SAMTEC, INC. THIS DOCUMENT SHALL NOT BE DISCLOSED, IN WHOLE OR PART, TO ANY UNAUTHORIZED PERSON OR ENTITY NOR REPRODUCED, TRANSFERRED OR INCORPORATED IN ANY OTHER PROJECT IN ANY MANNER WITHOUT THE EXPRESS WRITTEN CONSENT OF SAMTEC, INC.

SHEET SCALE: 3:2



520 PARK EAST BLVD., NEW ALBANY, IN 47150  
PHONE: 812-944-6733 FAX: 812-948-5047  
e-Mail: info@SAMTEC.com code 55322

DESCRIPTION:  
ET60 RA POWER/SIGNAL HEADER

DWG. NO.  
ET60T-XXX-X-XX-XXX-X-RX-X-X

BY: TOBIN Q 8/30/2023 SHEET 5 OF 11

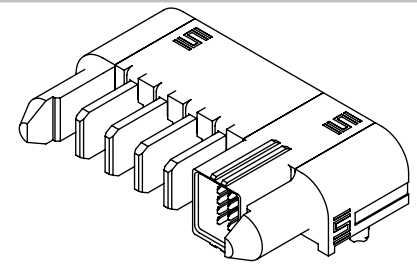
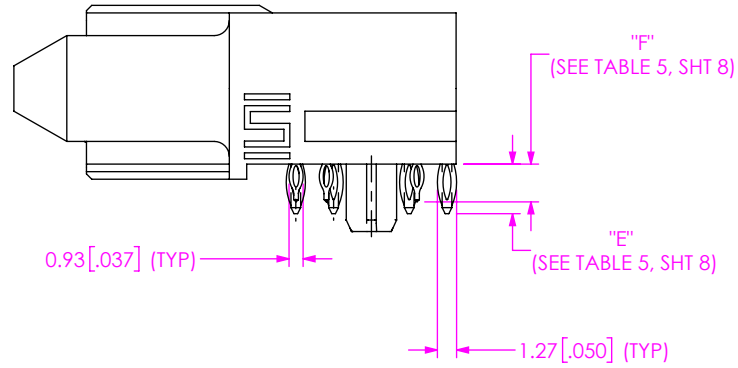
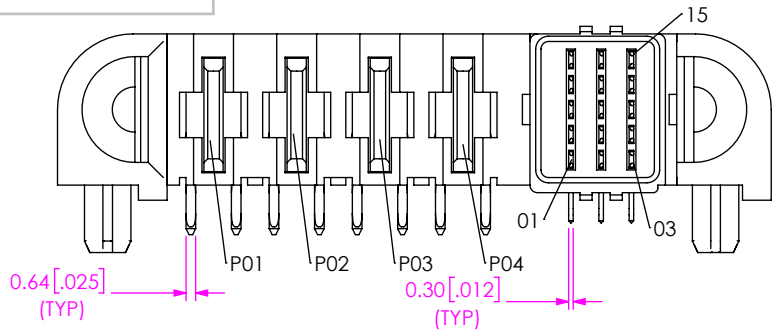


FIG 9  
ET60T-D04-5-03-000-X-RP-S SHOWN  
(DIFFERENT AS SHOWN, OTHERWISE SAME AS FIG 4)

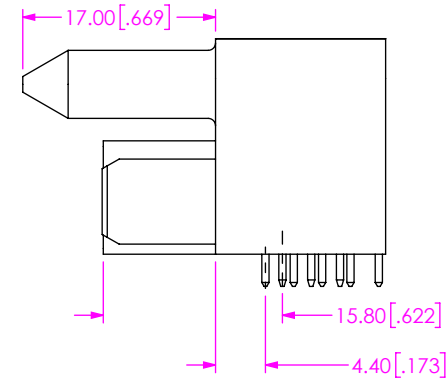
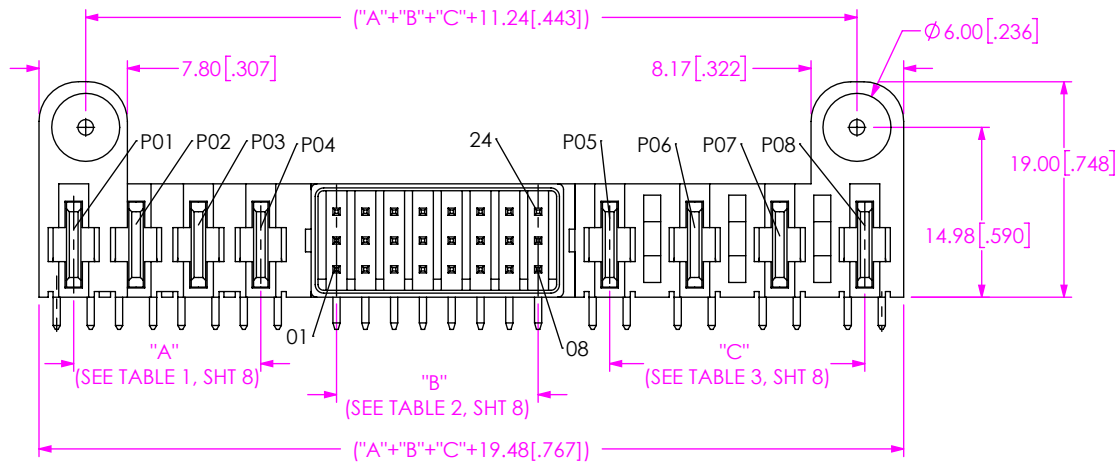
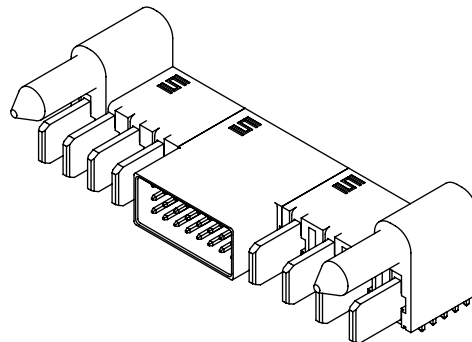


FIG 10  
ET60T-D04-3-08-A04-X-R1-T SHOWN  
(DIFFERENT AS SHOWN, OTHERWISE SAME AS FIG 1)



F:\DWG\MISC\MKTG\ET60T-XXX-X-XX-XXX-X-RX-X-X-MKT.SLDDRW

<p><b>PROPRIETARY NOTE</b></p> <p>THIS DOCUMENT CONTAINS CONFIDENTIAL AND PROPRIETARY INFORMATION AND ALL DESIGN, MANUFACTURING, REPRODUCTION, USE, PATENT RIGHTS AND SALES RIGHTS ARE EXPRESSLY RESERVED BY SAMTEC, INC. THIS DOCUMENT SHALL NOT BE DISCLOSED, IN WHOLE OR PART, TO ANY UNAUTHORIZED PERSON OR ENTITY NOR REPRODUCED, TRANSFERRED OR INCORPORATED IN ANY OTHER PROJECT IN ANY MANNER WITHOUT THE EXPRESS WRITTEN CONSENT OF SAMTEC, INC.</p>	<p><b>samtec</b></p> <p>520 PARK EAST BLVD, NEW ALBANY, IN 47150 PHONE: 812-944-6733 FAX: 812-948-5047 e-Mail: info@SAMTEC.com code 55322</p>	
	<p>DESCRIPTION: ET60 RA POWER/SIGNAL HEADER</p>	
	<p>DWG. NO. ET60T-XXX-X-XX-XXX-X-RX-X-X</p>	
<p>SHEET SCALE: 3:2</p>		<p>BY: TOBIN Q 8/30/2023 SHEET 6 OF 11</p>

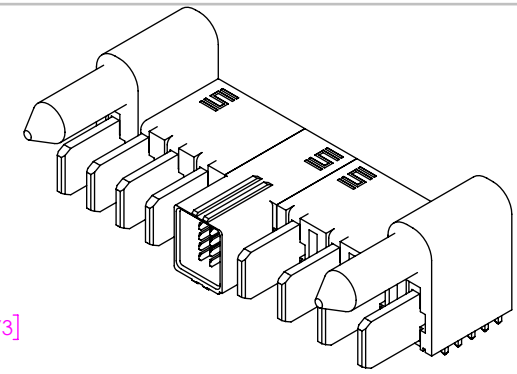
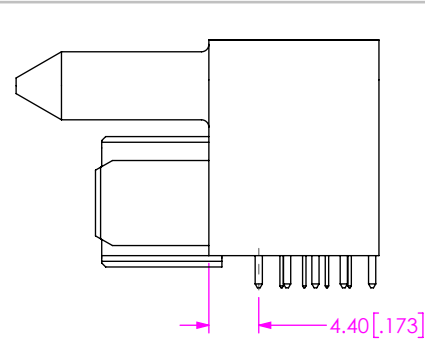
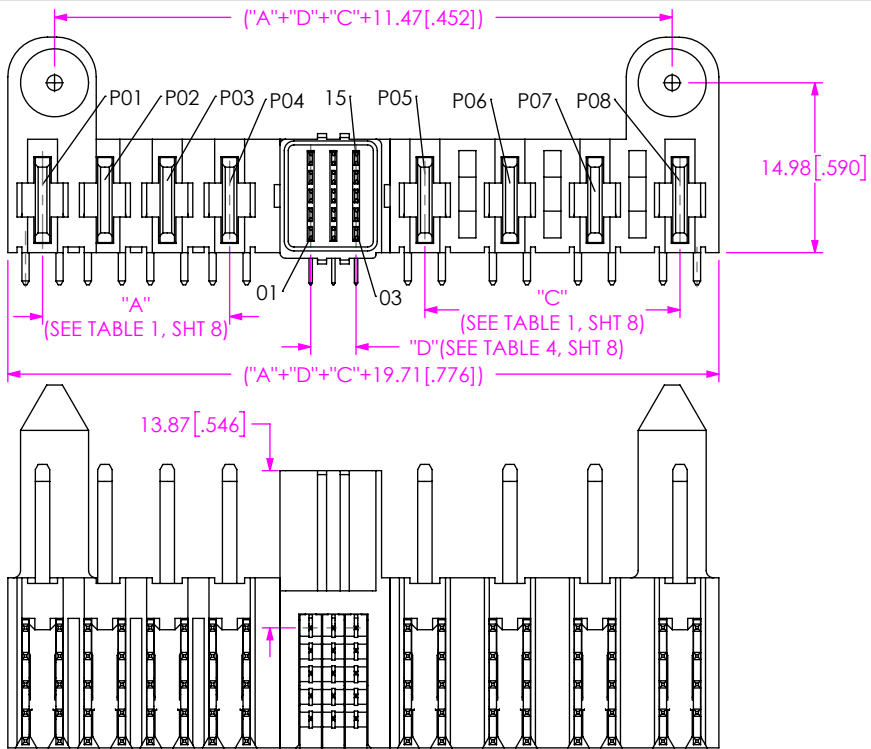
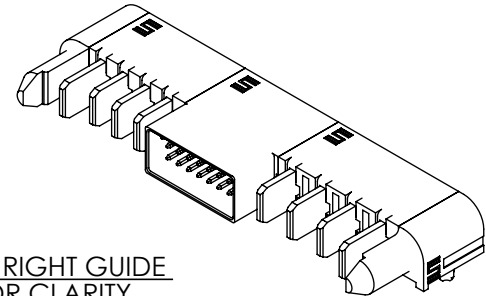
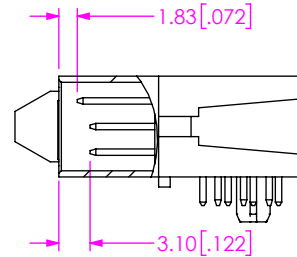
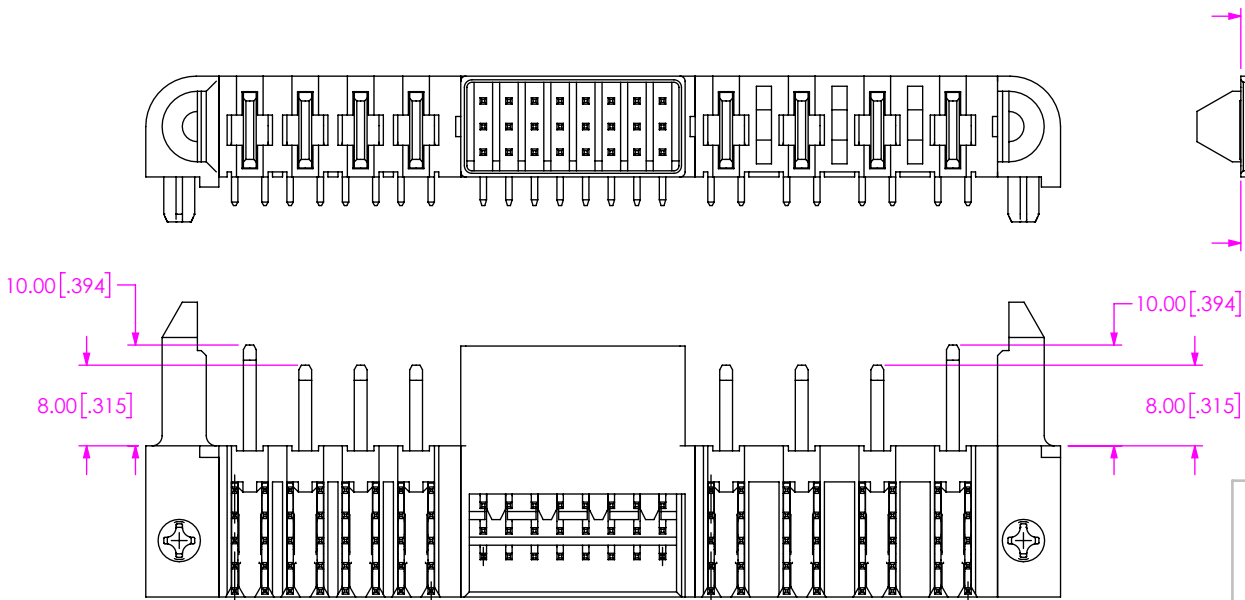


FIG 11  
ET60T-D04-5-03-A04-X-RX-T SHOWN  
(DIFFERENT AS SHOWN, OTHERWISE SAME AS FIG 4)



AC POWER(RIGHT) & RIGHT GUIDE  
POST NOT SHOWN FOR CLARITY

FIG 12  
ET60T-D04-3-08-A04-X-R1-S-H SHOWN  
(DIFFERENT AS SHOWN, OTHERWISE SAME AS FIG 1)

**PROPRIETARY NOTE**  
THIS DOCUMENT CONTAINS CONFIDENTIAL AND PROPRIETARY INFORMATION AND ALL DESIGN, MANUFACTURING, REPRODUCTION, USE, PATENT RIGHTS AND SALES RIGHTS ARE EXPRESSLY RESERVED BY SAMTEC, INC. THIS DOCUMENT SHALL NOT BE DISCLOSED, IN WHOLE OR PART, TO ANY UNAUTHORIZED PERSON OR ENTITY NOR REPRODUCED, TRANSFERRED OR INCORPORATED IN ANY OTHER PROJECT IN ANY MANNER WITHOUT THE EXPRESS WRITTEN CONSENT OF SAMTEC, INC.

SHEET SCALE: 3:2

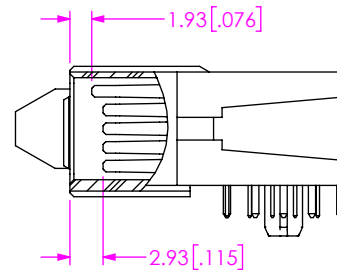
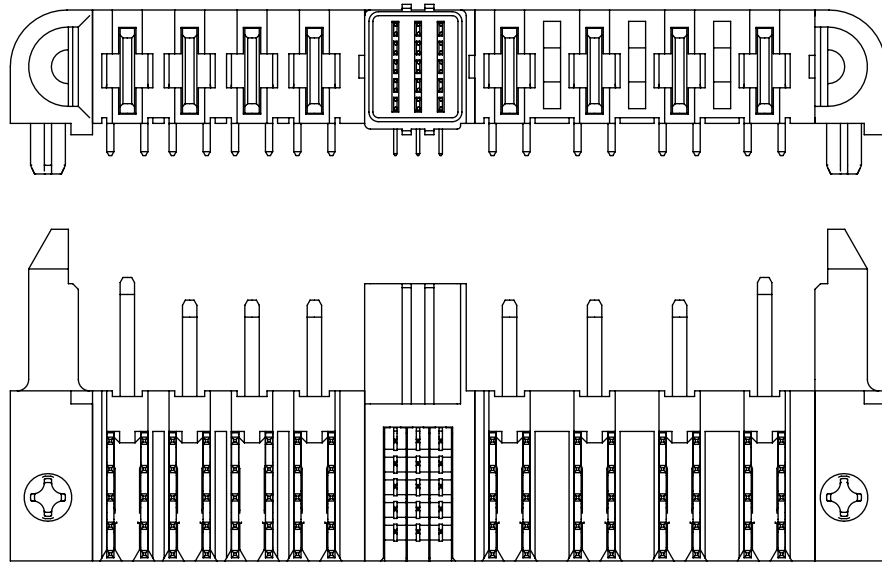
**samtec**

520 PARK EAST BLVD, NEW ALBANY, IN 47150  
PHONE: 812-944-6733 FAX: 812-948-5047  
e-Mail: info@SAMTEC.com code 55322

DESCRIPTION:  
ET60 RA POWER/SIGNAL HEADER

DWG. NO.  
ET60T-XXX-X-XX-XXX-X-RX-X-X

BY: TOBIN Q 8/30/2023 SHEET 7 OF 11



AC POWER(RIGHT) & RIGHT GUIDE  
POST NOT SHOWN FOR CLARITY

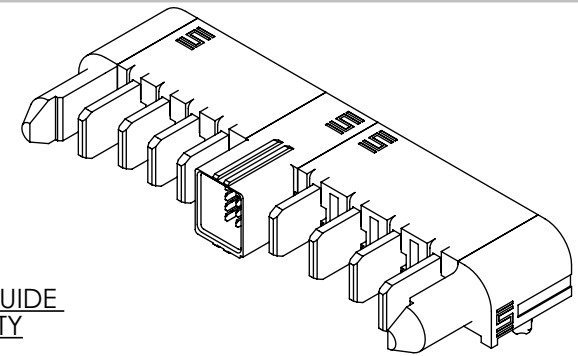


FIG 13  
ET60T-D04-5-03-A04-X-RX-S-H SHOWN  
(DIFFERENT AS SHOWN, OTHERWISE SAME AS FIG 12)

TABLE 1  
(SEE NOTE 3)

POWER POS (LEFT)	"A"	
	DC POWER	AC POWER
-01	N/A	N/A
-02	5.50 [.217]	7.50 [.295]
-03	11.00 [.433]	15.00 [.591]
-04	16.50 [.650]	22.50 [.886]
-05	22.00 [.866]	30.00 [1.181]
-06	27.50 [1.083]	37.50 [1.476]
-07	33.00 [1.299]	/
-08	38.50 [1.516]	/
-09	44.00 [1.732]	/
-10	49.50 [1.949]	/

TABLE 2  
(SEE NOTE 4)

SIGNAL POS (-3 ROWS)	"B"
-02	2.54 [.100]
-04	7.62 [.300]
-06	12.70 [.500]
-08	17.78 [.700]
-10	22.86 [.900]
-12	27.94 [1.100]

TABLE 3  
(SEE NOTE 3)

POWER POS (RIGHT)	"C"	
	DC POWER	AC POWER
-01	N/A	N/A
-02	5.50 [.217]	7.50 [.295]
-03	11.00 [.433]	15.00 [.591]
-04	16.50 [.650]	22.50 [.886]
-05	22.00 [.866]	30.00 [1.181]
-06	27.50 [1.083]	37.50 [1.476]
-07	33.00 [1.299]	/
-08	38.50 [1.516]	/
-09	44.00 [1.732]	/
-10	49.50 [1.949]	/

TABLE 4  
(SEE NOTE 4)

SIGNAL POS (-5 ROWS)	"D"
-01	N/A
-02	2.00 [.079]
-03	4.00 [.157]
-04	6.00 [.236]
-05	8.00 [.315]
-06	10.00 [.394]
-07	12.00 [.472]
-08	14.00 [.551]

TABLE 7 (SEE NOTE 3)

NO OF SPLIT POWER (LEFT)	"G"
-01	N/A
-02	8.00 [.315]
-03	16.00 [.630]
-04	24.00 [.945]

TABLE 8 (SEE NOTE 3)

NO OF SPLIT POWER (RIGHT)	"H"
-01	N/A
-02	8.00 [.315]
-03	16.00 [.630]
-04	24.00 [.945]

TABLE 5

TAIL	"E"	"F"
-R1	2.84 [.112]	2.84 [.112]
-R2	3.61 [.142]	3.41 [.134]
-RP	3.28 [.129]	2.50 [.098]

PROPRIETARY NOTE

THIS DOCUMENT CONTAINS CONFIDENTIAL AND PROPRIETARY INFORMATION AND ALL DESIGN, MANUFACTURING, REPRODUCTION, USE, PATENT RIGHTS AND SALES RIGHTS ARE EXPRESSLY RESERVED BY SAMTEC, INC. THIS DOCUMENT SHALL NOT BE DISCLOSED, IN WHOLE OR PART, TO ANY UNAUTHORIZED PERSON OR ENTITY NOR REPRODUCED, TRANSFERRED OR INCORPORATED IN ANY OTHER PROJECT IN ANY MANNER WITHOUT THE EXPRESS WRITTEN CONSENT OF SAMTEC, INC.



520 PARK EAST BLVD, NEW ALBANY, IN 47150  
PHONE: 812-944-6733 FAX: 812-948-5047  
e-Mail info@SAMTEC.com code 55322

SHEET SCALE: 3:2

DESCRIPTION:  
ET60 RA POWER/SIGNAL HEADER

DWG. NO.  
ET60T-XXX-X-XX-XXX-X-RX-X-X

BY: TOBIN Q 8/30/2023 SHEET 8 OF 11

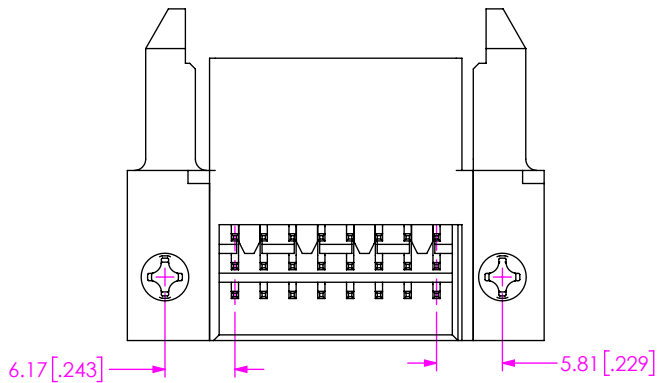
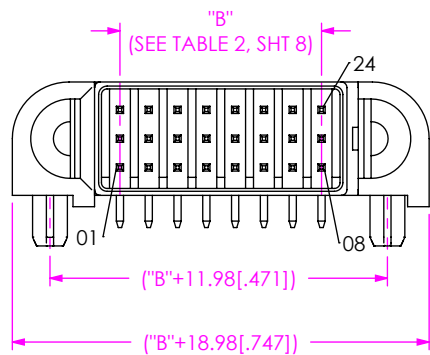


FIG 14  
ET60T-000-3-08-000-X-R1-S SHOWN  
(DIFFERENT AS SHOWN, OTHERWISE SAME AS FIG 1)

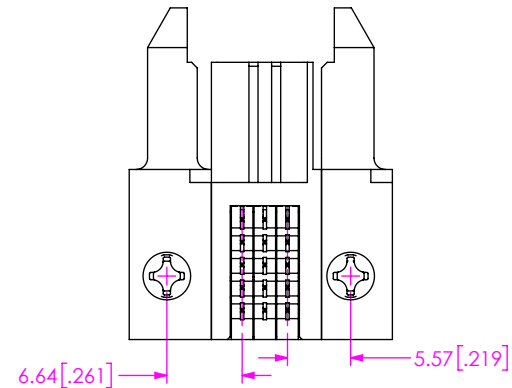
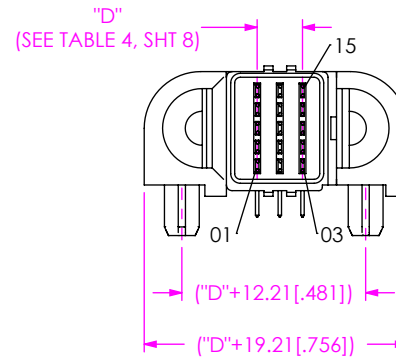


FIG 15  
ET60T-000-5-03-000-X-RX-S SHOWN  
(DIFFERENT AS SHOWN, OTHERWISE SAME AS FIG 4)

PROPRIETARY NOTE

THIS DOCUMENT CONTAINS CONFIDENTIAL AND PROPRIETARY INFORMATION AND ALL DESIGN, MANUFACTURING, REPRODUCTION, USE, PATENT RIGHTS AND SALES RIGHTS ARE EXPRESSLY RESERVED BY SAMTEC, INC. THIS DOCUMENT SHALL NOT BE DISCLOSED, IN WHOLE OR PART, TO ANY UNAUTHORIZED PERSON OR ENTITY NOR REPRODUCED, TRANSFERRED OR INCORPORATED IN ANY OTHER PROJECT IN ANY MANNER WITHOUT THE EXPRESS WRITTEN CONSENT OF SAMTEC, INC.



520 PARK EAST BLVD, NEW ALBANY, IN 47150  
PHONE: 812-944-6733 FAX: 812-948-5047  
e-Mail info@SAMTEC.com code 55322

SHEET SCALE: 3:2

DESCRIPTION:  
ET60 RA POWER/SIGNAL HEADER

DWG. NO.  
ET60T-XXX-X-XX-XXX-X-RX-X-X

BY: TOBIN Q 8/30/2023 SHEET 9 OF 11

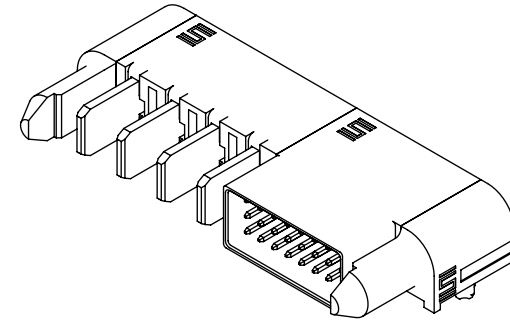
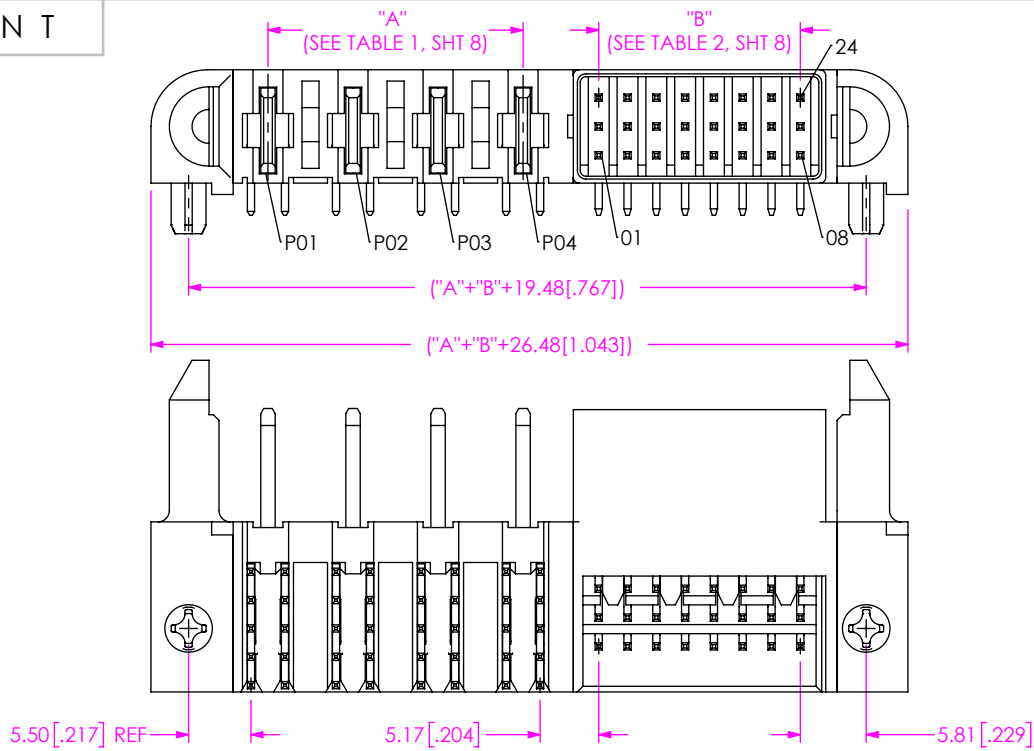


FIG 16  
ET60T-A04-3-08-000-X-R1-S SHOWN  
(DIFFERENT AS SHOWN, OTHERWISE SAME AS FIG 1)

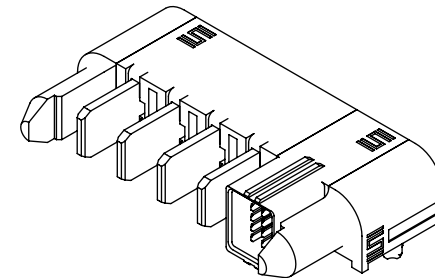
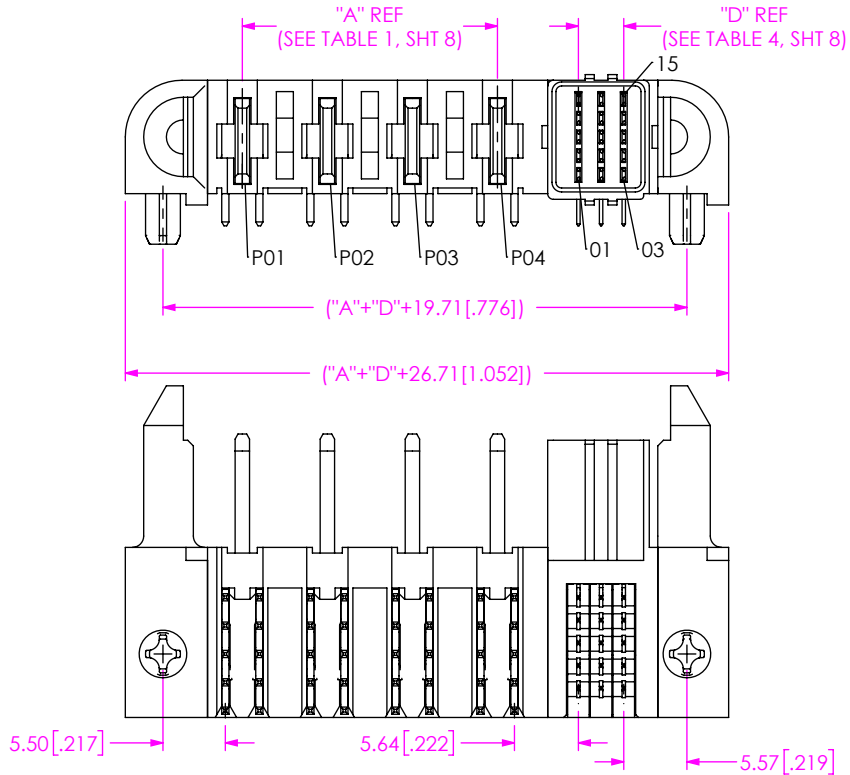

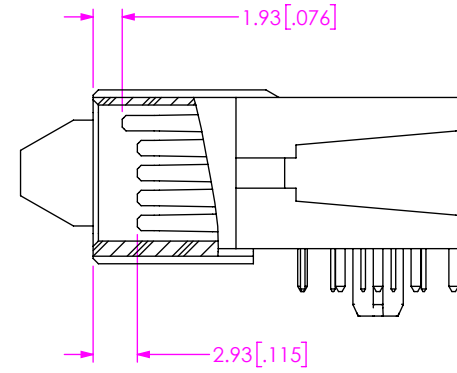
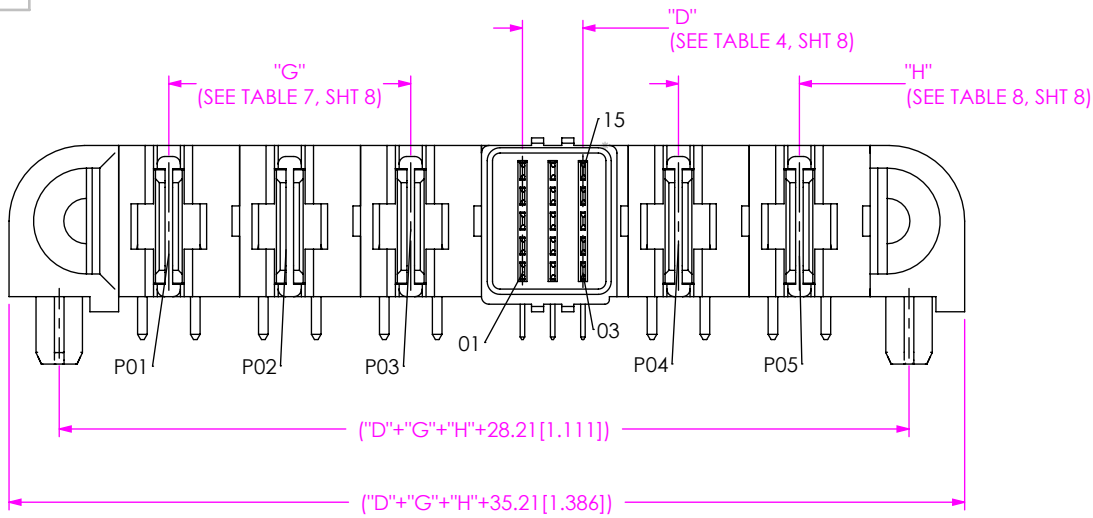


FIG 17  
ET60T-A04-5-03-000-X-RX-S SHOWN  
(DIFFERENT AS SHOWN, OTHERWISE SAME AS FIG 4)

F:\DWG\MISC\MKTG\ET60T-XXX-X-XX-XXX-X-RX-X-X-MKT.SLDDRW

<p><b>PROPRIETARY NOTE</b></p> <p>THIS DOCUMENT CONTAINS CONFIDENTIAL AND PROPRIETARY INFORMATION AND ALL DESIGN, MANUFACTURING, REPRODUCTION, USE, PATENT RIGHTS AND SALES RIGHTS ARE EXPRESSLY RESERVED BY SAMTEC, INC. THIS DOCUMENT SHALL NOT BE DISCLOSED, IN WHOLE OR PART, TO ANY UNAUTHORIZED PERSON OR ENTITY NOR REPRODUCED, TRANSFERRED OR INCORPORATED IN ANY OTHER PROJECT IN ANY MANNER WITHOUT THE EXPRESS WRITTEN CONSENT OF SAMTEC, INC.</p>	 <p>520 PARK EAST BLVD., NEW ALBANY, IN 47150 PHONE: 812-944-6733 FAX: 812-948-5047 e-Mail: info@SAMTEC.com code 55322</p>
<p>SHEET SCALE: 1:1</p>	<p>DESCRIPTION: ET60 RA POWER/SIGNAL HEADER</p>
	<p>DWG. NO. ET60T-XXX-X-XX-XXX-X-RX-X-X</p> <p>BY: TOBIN Q      8/30/2023      SHEET 10 OF 11</p>



SPLIT POWER (RIGHT) & RIGHT GUIDE  
POST NOT SHOWN FOR CLARITY

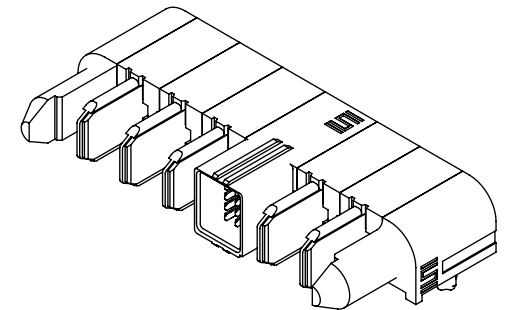
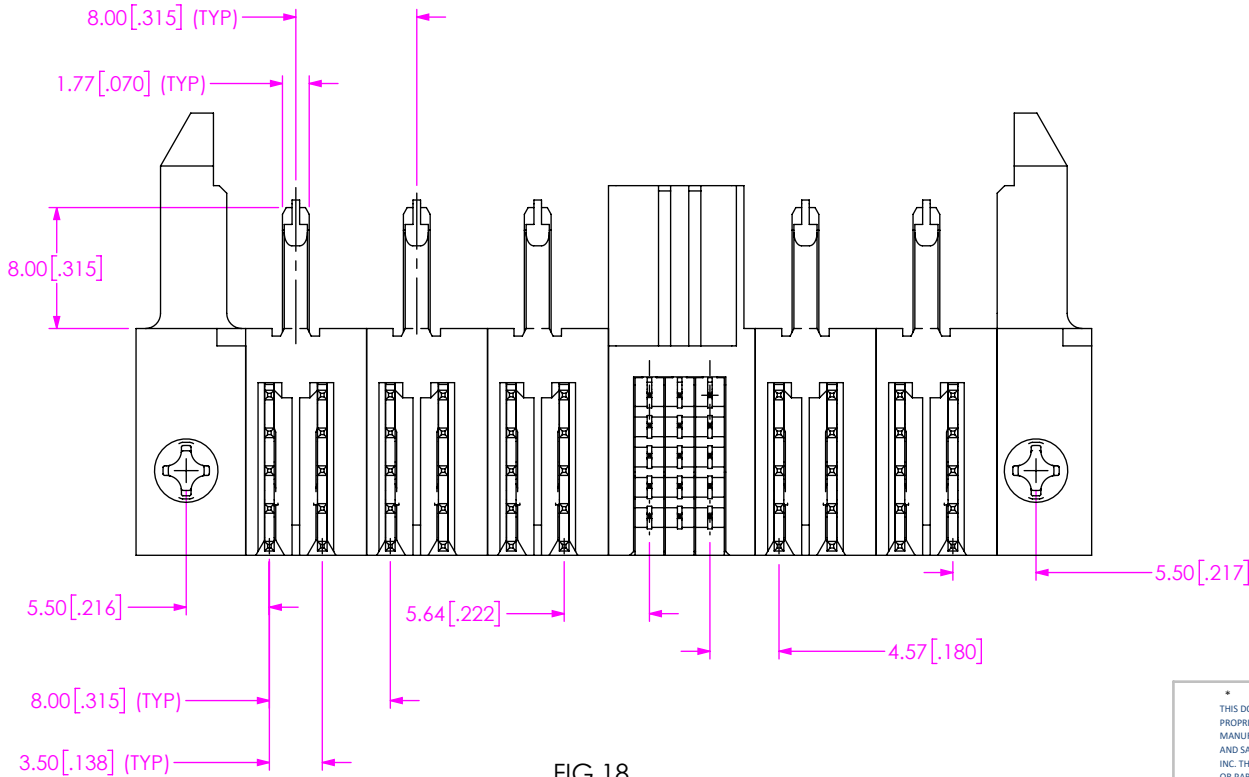


FIG 18  
ET60T-S03-5-03-S02-X-R1-S-H SHOWN  
(DIFFERENT AS SHOWN, OTHERWISE SAME AS FIG 4)

**PROPRIETARY NOTE**  
THIS DOCUMENT CONTAINS CONFIDENTIAL AND PROPRIETARY INFORMATION AND ALL DESIGN, MANUFACTURING, REPRODUCTION, USE, PATENT RIGHTS AND SALES RIGHTS ARE EXPRESSLY RESERVED BY SAMTEC, INC. THIS DOCUMENT SHALL NOT BE DISCLOSED, IN WHOLE OR PART, TO ANY UNAUTHORIZED PERSON OR ENTITY NOR REPRODUCED, TRANSFERRED OR INCORPORATED IN ANY OTHER PROJECT IN ANY MANNER WITHOUT THE EXPRESS WRITTEN CONSENT OF SAMTEC, INC.

**samtec**

520 PARK EAST BLVD, NEW ALBANY, IN 47150  
PHONE: 812-944-6733 FAX: 812-948-5047  
e-Mail info@SAMTEC.com code 55322

SHEET SCALE: 3:2



DESCRIPTION:  
ET60 RA POWER/SIGNAL HEADER

DWG. NO.  
ET60T-XXX-X-XX-XXX-X-RX-X-X

BY: TOBIN Q 8/30/2023 SHEET 11 OF 11

## Looking for pricing, stock, or lifecycle information?

Click below to explore more details on WIN SOURCE:

-  [View ET60T-D02-3-08-D02-L-R1-S on WIN SOURCE](#)
-  [Samtec Inc. Information](#)

## Optimize Your Supply Chain with WIN SOURCE Solutions

-  Global Sourcing Solution
-  Obsolete Management
-  Cost Control Management
-  Shortage Management
-  Alternative Solution
-  Excess Inventory Management