



**THE DATASHEET OF
ISLA216P25IRZ**



ISLA216P

16-Bit, 250MSPS/200MSPS/130MSPS ADC

FN7574
Rev.3.0
Jul 6, 2021

The ISLA216P is a family of low power, high performance 16-bit analog-to-digital converters. Designed with Renesas’s proprietary FemtoCharge™ technology on a standard CMOS process, the family supports sampling rates of up to 250MSPS. The ISLA216P is part of a pin-compatible portfolio of 12 to 16-bit A/Ds with maximum sample rates ranging from 130MSPS to 500MSPS.

A serial peripheral interface (SPI) port allows for extensive configurability, as well as fine control of various parameters such as gain and offset.

Digital output data is presented in selectable LVDS or CMOS formats. The ISLA216P is available in a 72-contact QFN package with an exposed paddle. Operating from a 1.8V supply, performance is specified over the full industrial temperature range (-40°C to +85°C).

Key Specifications

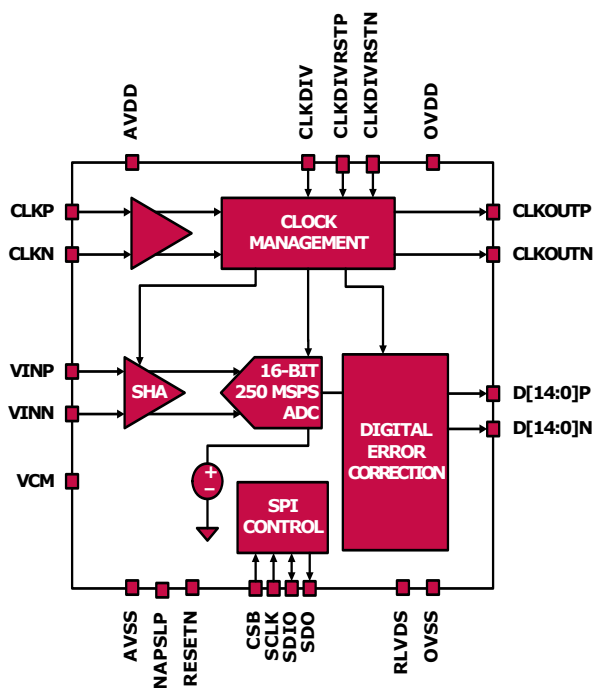
- SNR @ 250/200/130MSPS
 - 75.0/76.6/77.5dBFS $f_{IN} = 30\text{MHz}$
 - 72.1/72.6/72.4dBFS $f_{IN} = 363\text{MHz}$
- SFDR @ 250/200/130MSPS
 - 87/91/96dBc $f_{IN} = 30\text{MHz}$
 - 81/80/82dBc $f_{IN} = 363\text{MHz}$
- Total Power Consumption = 786mW @ 250MSPS

Features

- Single supply 1.8V operation
- Clock duty cycle stabilizer
- 75fs Clock jitter
- 700MHz Bandwidth
- Programmable built-in test patterns
- Multi-ADC support
 - SPI Programmable fine gain and offset control
 - Support for multiple ADC synchronization
 - Optimized output timing
- Nap and sleep modes
 - 200µs Sleep wake-up time
- Data output clock
- DDR LVDS-compatible or LVCMOS outputs
- Selectable Clock Divider

Applications

- Radar array processing
- Software defined radios
- Broadband communications
- High-performance data acquisition
- Communications test equipment



Pin-Compatible Family

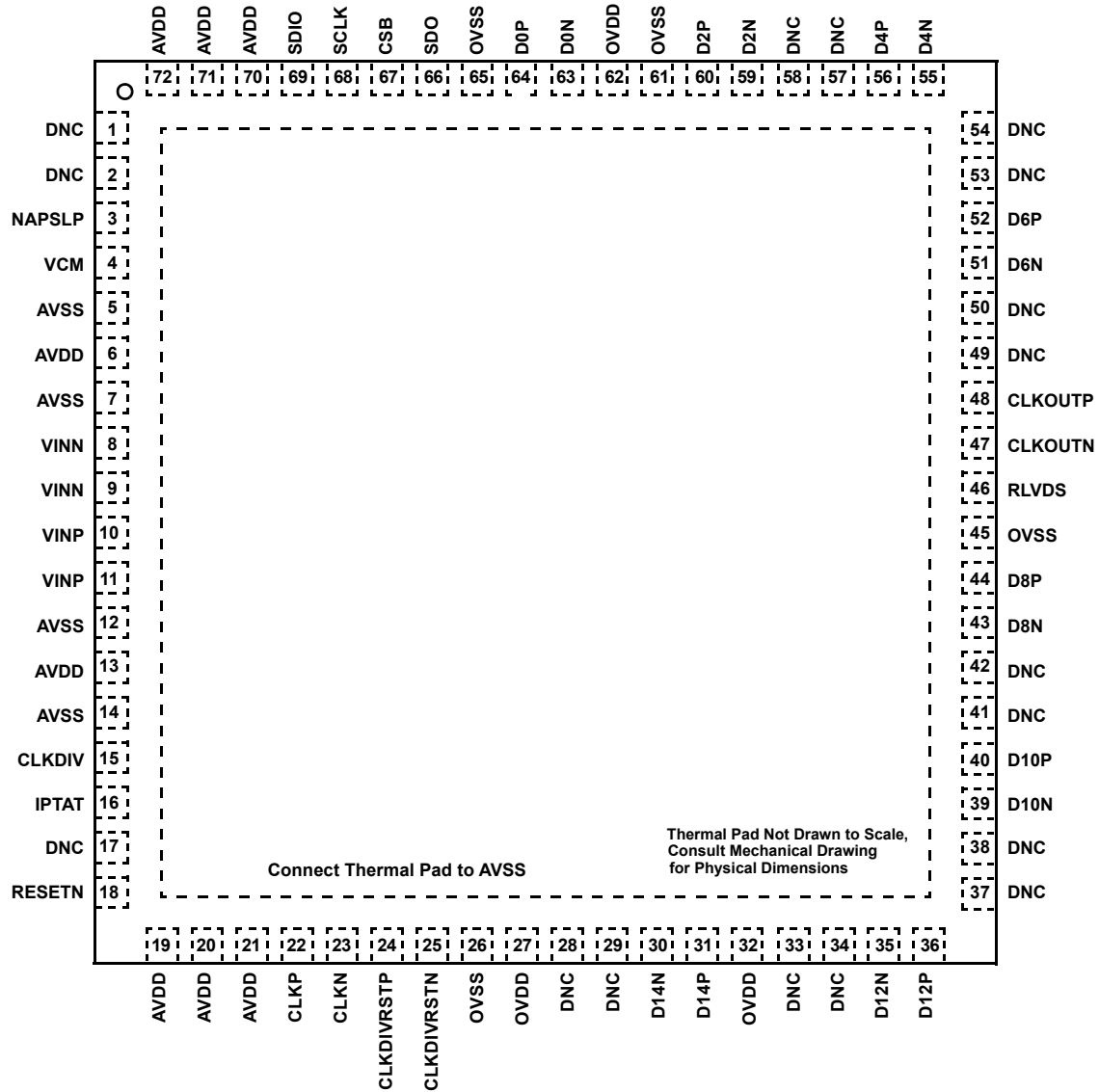
| MODEL | RESOLUTION | SPEED (MSPS) |
|----------------------------|------------|--------------|
| ISLA216P25 | 16 | 250 |
| ISLA216P20 | 16 | 200 |
| ISLA216P13 | 16 | 130 |
| ISLA214P50 | 14 | 500 |
| ISLA214P25 | 14 | 250 |
| ISLA214P20 | 14 | 200 |
| ISLA214P13 | 14 | 130 |
| ISLA212P50 | 12 | 500 |
| ISLA212P25 | 12 | 250 |
| ISLA212P20 | 12 | 200 |
| ISLA212P13 | 12 | 130 |

Table of Contents

| | |
|--|-----------|
| Pin-Compatible Family | 1 |
| Pin Configuration - LVDS MODE | 3 |
| Pin Descriptions - 72 Ld QFN, LVDS Mode | 3 |
| Pin Configuration - CMOS MODE | 5 |
| Pin Descriptions - 72 Ld QFN, CMOS Mode | 5 |
| Ordering Information | 6 |
| Absolute Maximum Ratings | 7 |
| Thermal Information | 7 |
| Timing Diagrams | 10 |
| Typical Performance Curves | 12 |
| Theory of Operation | 15 |
| Functional Description | 15 |
| Power-On Calibration | 15 |
| User Initiated Reset | 16 |
| Temperature Calibration | 16 |
| Analog Input | 17 |
| Clock Input | 18 |
| Jitter | 18 |
| Voltage Reference | 19 |
| Digital Outputs | 19 |
| Power Dissipation | 19 |
| Nap/Sleep | 19 |
| Data Format | 19 |
| Clock Divider Synchronous Reset | 20 |
| Serial Peripheral Interface | 23 |
| SPI Physical Interface | 23 |
| SPI Configuration | 23 |
| Device Information | 24 |
| Device Configuration/Control | 24 |
| Global Device Configuration/Control | 25 |
| Digital Temperature Sensor | 26 |
| SPI Memory Map | 27 |
| Equivalent Circuits | 30 |
| A/D Evaluation Platform | 31 |
| Layout Considerations | 31 |
| Split Ground and Power Planes | 31 |
| Clock Input Considerations | 31 |
| Exposed Paddle | 31 |
| Bypass and Filtering | 31 |
| LVDS Outputs | 31 |
| LVCMOS Outputs | 31 |
| Unused Inputs | 31 |
| Definitions | 31 |
| Revision History | 32 |
| Package Outline Drawing | 33 |

Pin Configuration - LVDS MODE

(72 LD QFN)
TOP VIEW



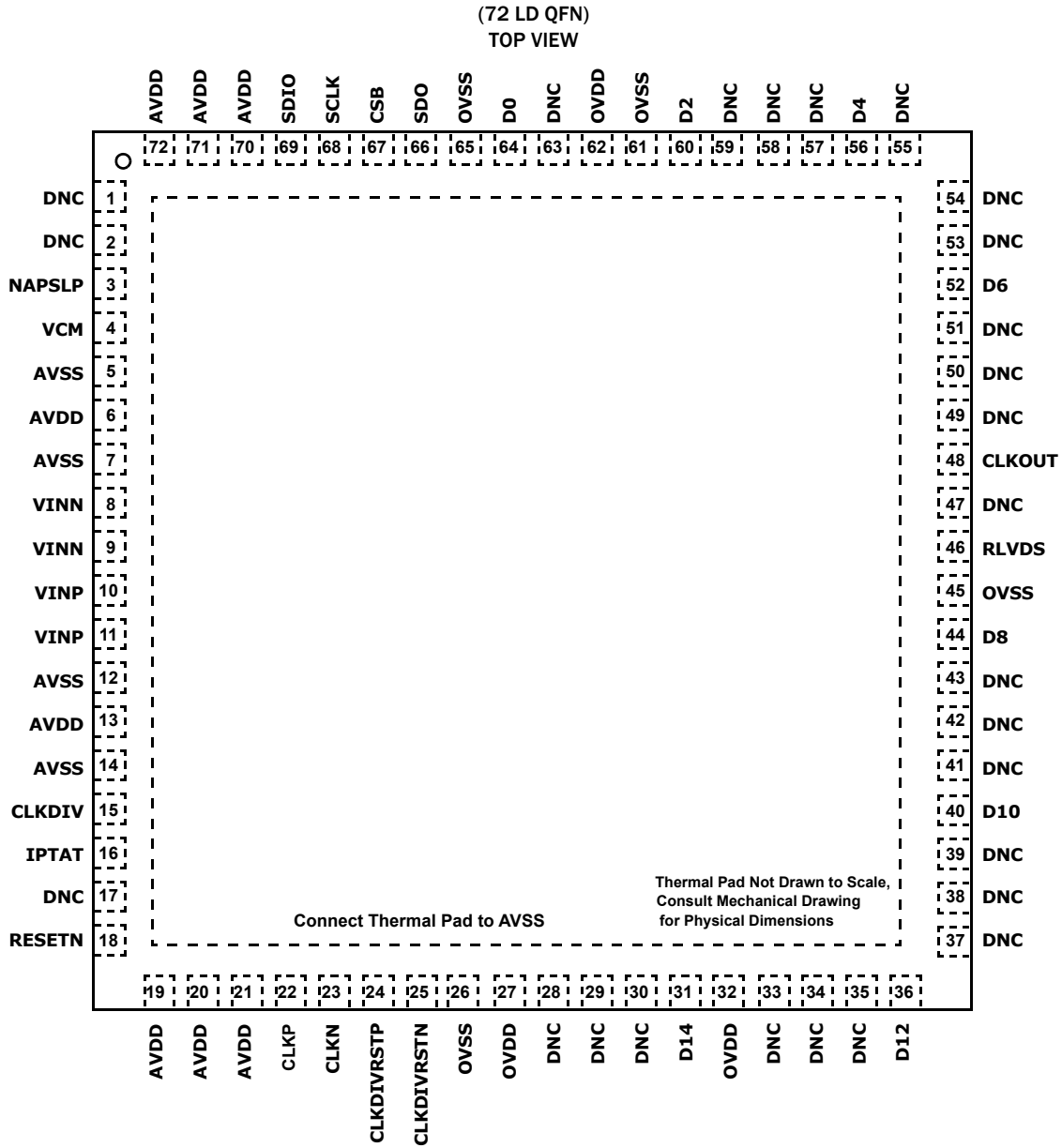
Pin Descriptions - 72 Ld QFN, LVDS Mode

| PIN NUMBER | LVDS PIN NAME | LVDS PIN FUNCTION |
|--|---------------|--|
| 1, 2, 17, 28, 29, 33, 34, 37, 38, 41, 42, 49, 50, 53, 54, 57, 58 | DNC | Do Not Connect |
| 6, 13, 19, 20, 21, 70, 71, 72 | AVDD | 1.8V Analog Supply |
| 5, 7, 12, 14 | AVSS | Analog Ground |
| 27, 32, 62 | OVDD | 1.8V Output Supply |
| 26, 45, 61, 65 | OVSS | Output Ground |
| 3 | NAPSLP | Tri-Level Power Control (Nap, Sleep modes) |
| 4 | VCM | Common Mode Output |

Pin Descriptions - 72 Ld QFN, LVDS Mode (Continued)

| PIN NUMBER | LVDS PIN NAME | LVDS PIN FUNCTION |
|----------------|------------------------|---|
| 8, 9 | VINN | Analog Input Negative |
| 10, 11 | VINP | Analog Input Positive |
| 15 | CLKDIV | Tri-Level Clock Divider Control |
| 16 | IPTAT | Temperature Monitor (Output current proportional to absolute temperature) |
| 18 | RESETN | Power On Reset (Active Low) |
| 22, 23 | CLKP, CLKN | Clock Input True, Complement |
| 24, 25 | CLKDIVRSTP, CLKDIVRSTN | Synchronous Clock Divider Reset True, Complement |
| 30 | D14N | DDR Logical Bits 14, 15 Complement |
| 31 | D14P | DDR Logical Bits 14, 15 True |
| 35 | D12N | DDR Logical Bits 12, 13 Complement |
| 36 | D12P | DDR Logical Bits 12, 13 True |
| 39 | D10N | DDR Logical Bits 10, 11 Complement |
| 40 | D10P | DDR Logical Bits 10, 11 True |
| 43 | D8N | DDR Logical Bits 8, 9 Complement |
| 44 | D8P | DDR Logical Bits 8, 9 True |
| 46 | RLVDS | LVDS Bias Resistor (Connect to OVSS with 1%10k Ω) |
| 47, 48 | CLKOUTN, CLKOUTP | LVDS Clock Output Complement, True |
| 51 | D6N | DDR Logical Bits 6, 7 Complement |
| 52 | D6P | DDR Logical Bits 6, 7 True |
| 55 | D4N | DDR Logical Bits 4, 5 Complement |
| 56 | D4P | DDR Logical Bits 4, 5 True |
| 59 | D2N | DDR Logical Bits 2, 3 Complement |
| 60 | D2P | DDR Logical Bits 2, 3 True |
| 63 | D0N | DDR Logical Bits 0, 1 Complement |
| 64 | D0P | DDR Logical Bits 0, 1 True |
| 66 | SDO | SPI Serial Data Output |
| 67 | CSB | SPI Chip Select (active low) |
| 68 | SCLK | SPI Clock |
| 69 | SDIO | SPI Serial Data Input/Output |
| Exposed Paddle | AVSS | Analog Ground |

Pin Configuration - CMOS MODE



Pin Descriptions - 72 Ld QFN, CMOS Mode

| PIN NUMBER | CMOS PIN NAME | CMOS PIN FUNCTION |
|--|---------------|--|
| 1, 2, 17, 28, 29, 30, 33, 34, 35, 37, 38, 39, 41, 42, 43, 47, 49, 50, 51, 53, 54, 55, 57, 58, 59, 63 | DNC | Do Not Connect |
| 6, 13, 19, 20, 21, 70, 71, 72 | AVDD | 1.8V Analog Supply |
| 5, 7, 12, 14 | AVSS | Analog Ground |
| 27, 32, 62 | OVDD | 1.8V Output Supply |
| 26, 45, 61, 65 | OVSS | Output Ground |
| 3 | NAPSLP | Tri-Level Power Control (Nap, Sleep modes) |
| 4 | VCM | Common Mode Output |

Pin Descriptions - 72 Ld QFN, CMOS Mode (Continued)

| PIN NUMBER | CMOS PIN NAME | CMOS PIN FUNCTION |
|----------------|------------------------|---|
| 8, 9 | VINN | Analog Input Negative |
| 10, 11 | VINP | Analog Input Positive |
| 15 | CLKDIV | Tri-Level Clock Divider Control |
| 16 | IPTAT | Temperature Monitor (Output current proportional to absolute temperature) |
| 18 | RESETN | Power On Reset (Active Low) |
| 22, 23 | CLKP, CLKN | Clock Input True, Complement |
| 24, 25 | CLKDIVRSTP, CLKDIVRSTN | Synchronous Clock Divider Reset True, Complement |
| 31 | D14 | DDR Logical Bits 14, 15 |
| 36 | D12 | DDR Logical Bits 12, 13 |
| 40 | D10 | DDR Logical Bits 10, 11 |
| 44 | D8 | DDR Logical Bits 8, 9 |
| 46 | RLVDS | LVDS Bias Resistor (Connect to OVSS with 1%10kΩ) |
| 48 | CLKOUT | CMOS Clock Output |
| 52 | D6 | DDR Logical Bits 6, 7 |
| 56 | D4 | DDR Logical Bits 4, 5 |
| 60 | D2 | DDR Logical Bits 2, 3 |
| 64 | D0 | DDR Logical Bits 0, 1 |
| 66 | SDO | SPI Serial Data Output |
| 67 | CSB | SPI Chip Select (active low) |
| 68 | SCLK | SPI Clock |
| 69 | SDIO | SPI Serial Data Input/Output |
| Exposed Paddle | AVSS | Analog Ground |

Ordering Information

| PART NUMBER (Notes 1, 2) | PART MARKING | PACKAGE DESCRIPTION (RoHS Compliant) | PKG. DWG. # | CARRIER TYPE | TEMP. RANGE |
|-----------------------------|-----------------------------------|---|-------------|--------------|----------------|
| ISLA216P13IRZ | ISLA216P13 IRZ | 72 Ld QFN | L72.10x10G | Tray | -40°C to +85°C |
| ISLA216P20IRZ | ISLA216P20 IRZ | | | | |
| ISLA216P25IRZ | ISLA216P25 IRZ | | | | |
| ISLA216IR72EV1Z | Evaluation Board (72 pin QFN ADC) | | | | |

NOTES:

- These Pb-free plastic packaged products employ special Pb-free material sets; molding compounds/die attach materials and NiPdAu-Ag plate-e4 termination finish, which is RoHS compliant and compatible with both SnPb and Pb-free soldering operations. Pb-free products are MSL classified at Pb-free peak reflow temperatures that meet or exceed the Pb-free requirements of IPC/JEDEC J STD-020.
- For Moisture Sensitivity Level (MSL), please see device information page for [ISLA216P13](#), [ISLA216P20](#), [ISLA216P25](#). For more information about MSL, see [TB363](#).

Absolute Maximum Ratings

| | |
|---|----------------------|
| AVDD to AVSS | -0.4V to 2.1V |
| OVDD to OVSS | -0.4V to 2.1V |
| AVSS to OVSS | -0.3V to 0.3V |
| Analog Inputs to AVSS | -0.4V to AVDD + 0.3V |
| Clock Inputs to AVSS | -0.4V to AVDD + 0.3V |
| Logic Input to AVSS | -0.4V to OVDD + 0.3V |
| Logic Inputs to OVSS | -0.4V to OVDD + 0.3V |
| Latchup (Tested per JESD-78C;Class 2,Level A) | 100mA |

Thermal Information

| | | |
|------------------------------|---------------------------|----------------------|
| Thermal Resistance (Typical) | θ_{JA} (°C/W) | θ_{JC} (°C/W) |
| 72 Ld QFN (Notes 3, 4) | 23 | 0.9 |
| 48 Ld QFN (Notes 3, 4) | 24 | 1.0 |
| Operating Temperature | -40°C to +85°C | |
| Storage Temperature | -65°C to +150°C | |
| Junction Temperature | +150°C | |
| Pb-Free Reflow Profile | see TB493 | |

CAUTION: Do not operate at or near the maximum ratings listed for extended periods of time. Exposure to such conditions may adversely impact product reliability and result in failures not covered by warranty.

NOTES:

- θ_{JA} is measured in free air with the component mounted on a high effective thermal conductivity test board with "direct attach" features. See TB379.
- For θ_{JC} , the "case temp" location is the center of the exposed metal pad on the package underside.

Electrical Specifications All specifications apply under the following conditions unless otherwise noted: AVDD = 1.8V, OVDD = 1.8V, $T_A = -40^\circ\text{C}$ to $+85^\circ\text{C}$ (typical specifications at $+25^\circ\text{C}$), $A_{IN} = -2\text{dBFS}$, $f_{\text{SAMPLE}} = \text{Maximum Conversion Rate (per speed grade)}$. Boldface limits apply over the operating temperature range, -40°C to $+85^\circ\text{C}$.

| PARAMETER | SYMBOL | CONDITIONS | ISLA216P25 | | | ISLA216P20 | | | ISLA216P13 | | | UNITS |
|--------------------------------------|------------|-------------------------------|-----------------|------|-----------------|-----------------|------|-----------------|-----------------|------|-----------------|---------------------------|
| | | | MIN (Note 5) | TYP | MAX (Note 5) | MIN (Note 5) | TYP | MAX (Note 5) | MIN (Note 5) | TYP | MAX (Note 5) | |
| DC SPECIFICATIONS (Note 6) | | | | | | | | | | | | |
| Analog Input | | | | | | | | | | | | |
| Full-Scale Analog Input Range | V_{FS} | Differential | 1.95 | 2.0 | 2.2 | 1.95 | 2.0 | 2.2 | 1.95 | 2.0 | 2.2 | V_{P-P} |
| Input Resistance | R_{IN} | Differential | | 300 | | | 300 | | | 300 | | Ω |
| Input Capacitance | C_{IN} | Differential | | 9 | | | 9 | | | 9 | | pF |
| Full Scale Range Temp. Drift | A_{VTC} | Full Temp | | 180 | | | 180 | | | 180 | | ppm/°C |
| Input Offset Voltage | V_{OS} | | -5.0 | -1.7 | 5.0 | -5.0 | -1.7 | 5.0 | -5.0 | -1.7 | 5.0 | mV |
| Common-Mode Output Voltage | V_{CM} | | | 0.94 | | | 0.94 | | | 0.94 | | V |
| Common-Mode Input Current (per pin) | I_{CM} | | | 5.2 | | | 5.2 | | | 5.2 | | $\mu\text{A}/\text{MSPS}$ |
| Clock Inputs | | | | | | | | | | | | |
| Inputs Common Mode Voltage | | | | 0.9 | | | 0.9 | | | 0.9 | | V |
| CLKP,CLKN Input Swing | | | | 1.8 | | | 1.8 | | | 1.8 | | V |
| Power Requirements | | | | | | | | | | | | |
| 1.8V Analog Supply Voltage | AVDD | | 1.7 | 1.8 | 1.9 | 1.7 | 1.8 | 1.9 | 1.7 | 1.8 | 1.9 | V |
| 1.8V Digital Supply Voltage | OVDD | | 1.7 | 1.8 | 1.9 | 1.7 | 1.8 | 1.9 | 1.7 | 1.8 | 1.9 | V |
| 1.8V Analog Supply Current | I_{AVDD} | | | 372 | 397 | | 342 | 360 | | 293 | 310 | mA |
| 1.8V Digital Supply Current (Note 6) | I_{OVDD} | 3mA LVDS | | 64 | 73 | | 58 | 68 | | 50 | 58 | mA |
| Power Supply Rejection Ratio | PSRR | 30MHz, 50mVP-P signal on AVDD | | -65 | | | -65 | | | -65 | | dB |

Electrical Specifications All specifications apply under the following conditions unless otherwise noted: AVDD = 1.8V, OVDD = 1.8V, T_A = -40°C to +85°C (typical specifications at +25°C), A_{IN} = -2dBFS, f_{SAMPLE} = Maximum Conversion Rate (per speed grade). Boldface limits apply over the operating temperature range, -40°C to +85°C. (Continued)

| PARAMETER | SYMBOL | CONDITIONS | ISLA216P25 | | | ISLA216P20 | | | ISLA216P13 | | | UNITS |
|---|--------------------|--|-----------------|------------|-----------------|-----------------|-----------|-----------------|-----------------|-----------|-----------------|-------|
| | | | MIN (Note 5) | TYP | MAX (Note 5) | MIN (Note 5) | TYP | MAX (Note 5) | MIN (Note 5) | TYP | MAX (Note 5) | |
| Total Power Dissipation | | | | | | | | | | | | |
| Normal Mode | P _D | 2mA LVDS | | 771 | | | 706 | | | 603 | | mW |
| | | 3mA LVDS | | 786 | 846 | | 720 | 770 | | 616 | 662 | mW |
| | | CMOS | | 760 | | | 685 | | | 580 | | mW |
| Nap Mode | P _D | | 88 | 103 | | 83 | 99 | | 77 | 94 | mW | |
| Sleep Mode | P _D | CSB at logic high | | 7 | 19 | | 7 | 19 | | 7 | 19 | mW |
| Nap/Sleep Mode Wakeup Time | | Sample Clock Running | | 200 | | | 400 | | | 630 | | μs |
| AC SPECIFICATIONS | | | | | | | | | | | | |
| Differential Nonlinearity | DNL | f _{IN} = 30MHz No Missing Codes | -0.99 | ±0.35 | | -0.99 | ±0.25 | | -0.99 | ±0.25 | | LSB |
| Integral Nonlinearity | INL | f _{IN} = 30MHz | | ±10 | | | ±6 | | | ±5 | | LSB |
| Minimum Conversion Rate (Note 7) | f _S MIN | | | | 40 | | | 40 | | | 40 | MSPS |
| Maximum Conversion Rate | f _S MAX | | 250 | | | 200 | | | 130 | | | MSPS |
| Signal-to-Noise Ratio (Note 8) | SNR | f _{IN} = 30MHz | | 75.0 | | | 76.6 | | | 77.5 | | dBFS |
| | | f _{IN} = 105MHz | 71.7 | 74.9 | | 74.8 | 76.4 | | 75.5 | 76.9 | | dBFS |
| | | f _{IN} = 190MHz | | 74.2 | | | 75.3 | | | 75.3 | | dBFS |
| | | f _{IN} = 363MHz | | 72.1 | | | 72.6 | | | 72.4 | | dBFS |
| | | f _{IN} = 461MHz | | 71.1 | | | 71.1 | | | 70.8 | | dBFS |
| | | f _{IN} = 605MHz | | 69.2 | | | 69.2 | | | 68.9 | | dBFS |
| Signal-to-Noise and Distortion (Note 8) | SINAD | f _{IN} = 30MHz | | 74.7 | | | 76.5 | | | 77.4 | | dBFS |
| | | f _{IN} = 105MHz | 70.0 | 74.1 | | 73.2 | 76.1 | | 72.6 | 76.1 | | dBFS |
| | | f _{IN} = 190MHz | | 73.1 | | | 74.7 | | | 74.6 | | dBFS |
| | | f _{IN} = 363MHz | | 71.6 | | | 71.7 | | | 71.9 | | dBFS |
| | | f _{IN} = 461MHz | | 69.2 | | | 68.6 | | | 67.9 | | dBFS |
| | | f _{IN} = 605MHz | | 65.7 | | | 64.9 | | | 66.3 | | dBFS |
| Effective Number of Bits (Note 8) | ENOB | f _{IN} = 30MHz | | 12.12 | | | 12.42 | | | 12.56 | | Bits |
| | | f _{IN} = 105MHz | 11.34 | 12.02 | | 11.87 | 12.35 | | 11.77 | 12.35 | | Bits |
| | | f _{IN} = 190MHz | | 11.85 | | | 12.12 | | | 12.10 | | Bits |
| | | f _{IN} = 363MHz | | 11.60 | | | 11.62 | | | 11.65 | | Bits |
| | | f _{IN} = 461MHz | | 11.20 | | | 11.10 | | | 10.99 | | Bits |
| | | f _{IN} = 605MHz | | 10.62 | | | 10.49 | | | 10.72 | | Bits |

Electrical Specifications All specifications apply under the following conditions unless otherwise noted: AVDD = 1.8V, OVDD = 1.8V, T_A = -40 °C to +85 °C (typical specifications at +25 °C), A_{IN} = -2dBFS, f_{SAMPLE} = Maximum Conversion Rate (per speed grade). Boldface limits apply over the operating temperature range, -40 °C to +85 °C. (Continued)

| PARAMETER | SYMBOL | CONDITIONS | ISLA216P25 | | | ISLA216P20 | | | ISLA216P13 | | | UNITS |
|--|---------|--------------------------|-----------------|-------------------|-----------------|-----------------|-------------------|-----------------|-----------------|-------------------|-----------------|-------|
| | | | MIN (Note 5) | TYP | MAX (Note 5) | MIN (Note 5) | TYP | MAX (Note 5) | MIN (Note 5) | TYP | MAX (Note 5) | |
| Spurious-Free Dynamic Range (Note 8) | SFDR | f _{IN} = 30MHz | | 87 | | | 91 | | | 96 | | dBc |
| | | f _{IN} = 105MHz | 74 | 83 | | 74 | 89 | | 72 | 83 | | dBc |
| | | f _{IN} = 190MHz | | 81 | | | 84 | | | 83 | | dBc |
| | | f _{IN} = 363MHz | | 81 | | | 80 | | | 82 | | dBc |
| | | f _{IN} = 461MHz | | 73 | | | 72 | | | 70 | | dBc |
| | | f _{IN} = 605MHz | | 67 | | | 67 | | | 67 | | dBc |
| Spurious-Free Dynamic Range Excluding H2, H3 (Note 8) | SFDRX23 | f _{IN} = 30MHz | | 89 | | | 91 | | | 99 | | dBc |
| | | f _{IN} = 105MHz | 80 | 92 | | 82 | 93 | | 82 | 96 | | dBc |
| | | f _{IN} = 190MHz | | 88 | | | 92 | | | 96 | | dBc |
| | | f _{IN} = 363MHz | | 83 | | | 87 | | | 94 | | dBc |
| | | f _{IN} = 461MHz | | 82 | | | 85 | | | 91 | | dBc |
| | | f _{IN} = 605MHz | | 79 | | | 82 | | | 89 | | dBc |
| Intermodulation Distortion | IMD | f _{IN} = 70MHz | | 94 | | | 92 | | | 88 | | dBFS |
| | | f _{IN} = 170MHz | | 87 | | | 87 | | | 87 | | dBFS |
| Word Error Rate | WER | | | 10 ⁻¹² | | | 10 ⁻¹² | | | 10 ⁻¹² | | |
| Full Power Bandwidth | FPBW | | | 700 | | | 700 | | | 700 | | MHz |

NOTES:

- Compliance to datasheet limits is assured by one or more methods: production test, characterization and/or design.
- Digital Supply Current is dependent upon the capacitive loading of the digital outputs. I_{OVDD} specifications apply for 10pF load on each digital output.
- The DLL Range setting must be changed for low-speed operation.
- Minimum specification guaranteed when calibrated at +85 °C.

Digital Specifications Boldface limits apply over the operating temperature range, -40 °C to +85 °C.

| PARAMETER | SYMBOL | CONDITIONS | MIN (Note 5) | TYP | MAX (Note 5) | UNITS |
|--------------------------------------|-----------------|------------------------|-----------------|------|-----------------|-------|
| INPUTS | | | | | | |
| Input Current High (RESETN) | I _{IH} | V _{IN} = 1.8V | 0 | 1 | 10 | μA |
| Input Current Low (RESETN) | I _{IL} | V _{IN} = 0V | -25 | -12 | -7 | μA |
| Input Current High (SDIO) | I _{IH} | V _{IN} = 1.8V | | 4 | 12 | μA |
| Input Current Low (SDIO) | I _{IL} | V _{IN} = 0V | -600 | -415 | -300 | μA |
| Input Current High (CSB) | I _{IH} | V _{IN} = 1.8V | 40 | 58 | 75 | μA |
| Input Current Low (CSB) | I _{IL} | V _{IN} = 0V | | 5 | 10 | μA |
| Input Voltage High (SDIO, RESETN) | V _{IH} | | 1.17 | | | V |
| Input Voltage Low (SDIO, RESETN) | V _{IL} | | | | 0.63 | V |
| Input Current High (CLKDIV) (Note 9) | I _{IH} | | 16 | 25 | 34 | μA |
| Input Current Low (CLKDIV) | I _{IL} | | -34 | -25 | -16 | μA |
| Input Capacitance | C _{DI} | | | 4 | | pF |

Digital Specifications Boldface limits apply over the operating temperature range, -40°C to +85°C. (Continued)

| PARAMETER | SYMBOL | CONDITIONS | MIN (Note 5) | TYP | MAX (Note 5) | UNITS |
|---|-----------|----------------------|-------------------|------------|--------------|-------------------|
| LVDS INPUTS (CLKDIVRSTP,CLKDIVRSTN) | | | | | | |
| Input Common Mode Range | V_{ICM} | | 825 | | 1575 | mV |
| Input Differential Swing (peak to peak, single-ended) | V_{ID} | | 250 | | 450 | mV |
| CLKDIVRSTP Input Pull-down Resistance | R_{Ipd} | | | 100 | | k Ω |
| CLKDIVRSTN Input Pull-up Resistance | R_{Ipu} | | | 100 | | k Ω |
| LVDS OUTPUTS | | | | | | |
| Differential Output Voltage (Note 10) | V_T | 3mA Mode | | 612 | | mV _{p-p} |
| Output Offset Voltage | V_{OS} | 3mA Mode | 1120 | 1150 | 1200 | mV |
| Output Rise Time | t_R | | | 240 | | ps |
| Output Fall Time | t_F | | | 240 | | ps |
| CMOS OUTPUTS | | | | | | |
| Voltage Output High | V_{OH} | $I_{OH} = -500\mu A$ | OVDD - 0.3 | OVDD - 0.1 | | V |
| Voltage Output Low | V_{OL} | $I_{OL} = 1mA$ | | 0.1 | 0.3 | V |
| Output Rise Time | t_R | | | 1.8 | | ns |
| Output Fall Time | t_F | | | 1.4 | | ns |

NOTES:

- The Tri-Level Inputs internal switching thresholds are approximately 0.43V and 1.34V. It is advised to float the inputs, tie to ground or AVDD depending on desired function.
- The voltage is expressed in peak-to-peak differential swing. The peak-to-peak singled-ended swing is 1/2 of the differential swing.

Timing Diagrams

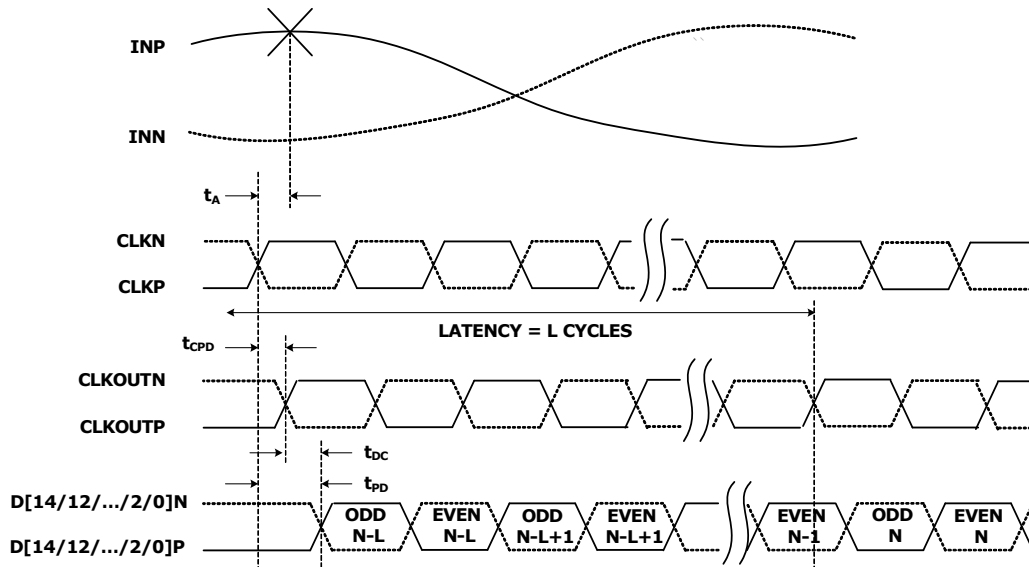


FIGURE 1A. LVDS

Timing Diagrams

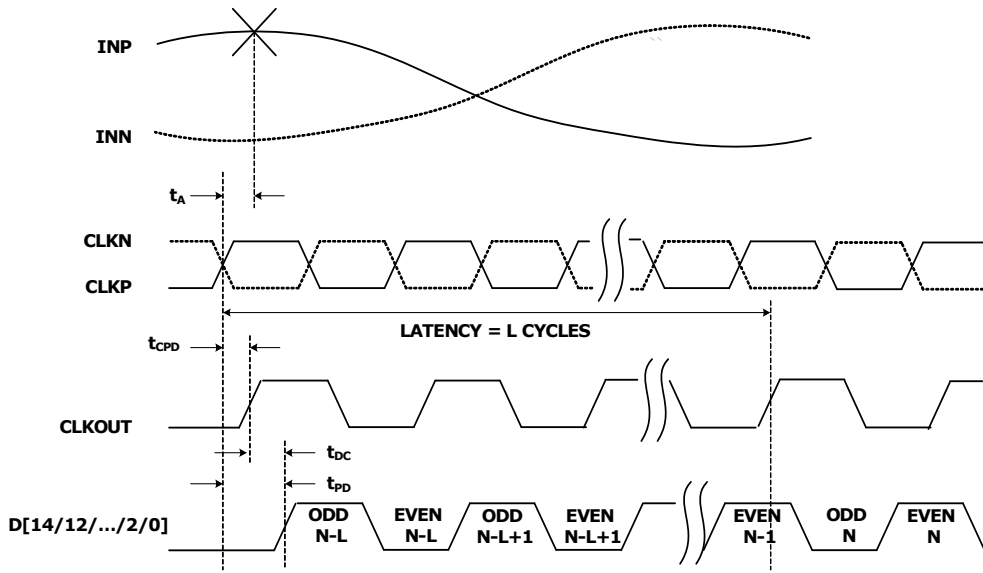


FIGURE 1B. CMOS
FIGURE 1. TIMING DIAGRAMS

Switching Specifications **Boldface limits apply over the operating temperature range, -40 °C to +85 °C.**

| PARAMETER | SYMBOL | CONDITION | MIN (Note 5) | TYP | MAX (Note 5) | UNITS |
|--|-------------|---|--------------|------|--------------|---------------|
| ADC OUTPUT | | | | | | |
| Aperture Delay | t_A | | | 114 | | ps |
| RMS Aperture Jitter | j_A | | | 75 | | fs |
| Input Clock to Output Clock Propagation Delay | t_{CPD} | AVDD, OVDD = 1.7V to 1.9V, $T_A = -40^\circ\text{C}$ to $+85^\circ\text{C}$ | 1.65 | 2.4 | 3 | ns |
| | | AVDD, OVDD = 1.8V, $T_A = +25^\circ\text{C}$ | 1.9 | 2.3 | 2.75 | ns |
| Relative Input Clock to Output Clock Propagation Delay (Note 13) | dt_{CPD} | AVDD, OVDD = 1.7V to 1.9V, $T_A = -40^\circ\text{C}$ to $+85^\circ\text{C}$ | -450 | | 450 | ps |
| Input Clock to Data Propagation Delay | t_{PD} | | 1.65 | 2.4 | 3.5 | ns |
| Output Clock to Data Propagation Delay, LVDS Mode | t_{DC} | Rising/Falling Edge | -0.1 | 0.16 | 0.5 | ns |
| Output Clock to Data Propagation Delay, CMOS Mode | t_{DC} | Rising/Falling Edge | -0.1 | 0.2 | 0.65 | ns |
| Synchronous Clock Divider Reset Setup Time (with respect to the positive edge of CLKP) | t_{RSTS} | | 0.4 | 0.06 | | ns |
| Synchronous Clock Divider Reset Hold Time (with respect to the positive edge of CLKP) | t_{RSTH} | | | 0.02 | 0.35 | ns |
| Synchronous Clock Divider Reset Recovery Time | t_{RSTRT} | DLL recovery time after Synchronous Reset | | 52 | | μs |
| Latency (Pipeline Delay) | L | | | 10 | | cycles |

Switching Specifications Boldface limits apply over the operating temperature range, -40°C to +85°C. (Continued)

| PARAMETER | SYMBOL | CONDITION | MIN (Note 5) | TYP | MAX (Note 5) | UNITS |
|-------------------------------------|-----------|-----------------|--------------|-----|--------------|--------|
| Overvoltage Recovery | t_{OVR} | | | 1 | | cycles |
| SPI INTERFACE (Notes 11, 12) | | | | | | |
| SCLK Period | t_{CLK} | Write Operation | 16 | | | cycles |
| | t_{CLK} | Read Operation | 16 | | | cycles |
| CSB↓ to SCLK↑ Setup Time | t_S | Read or Write | 28 | | | cycles |
| CSB↑ after SCLK↑ Hold Time | t_H | Write | 5 | | | cycles |
| Data Valid to SCLK↑ Setup Time | t_{DS} | Write | 6 | | | cycles |
| Data Valid after SCLK↑ Hold Time | t_{DH} | Read or Write | | | 4 | cycles |
| Data Valid after SCLK↓ Time | t_{DVR} | Read | | | 5 | cycles |

NOTES:

- SPI Interface timing is directly proportional to the ADC sample period (t_S). Values above reflect multiples of a 4ns sample period, and must be scaled proportionally for lower sample rates. ADC sample clock must be running for SPI communication.
- The SPI may operate asynchronously with respect to the ADC sample clock.
- The relative propagation delay is the difference in propagation time between any two devices that are matched in temperature and voltage, and is specified over the full operating temperature and voltage range.

Typical Performance Curves

All Typical Performance Characteristics apply under the following conditions unless otherwise noted: AVDD = OVDD = 1.8V, T_A = +25°C, A_{IN} = -2dBFS, f_{IN} = 105MHz, f_{SAMPLE} = 250MSPS.

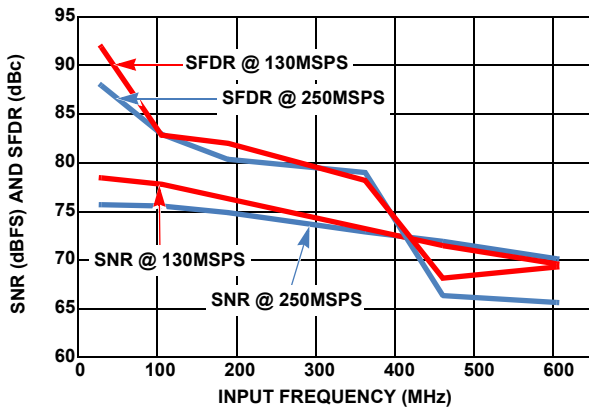


FIGURE 2. SNR AND SFDR vs f_{IN}

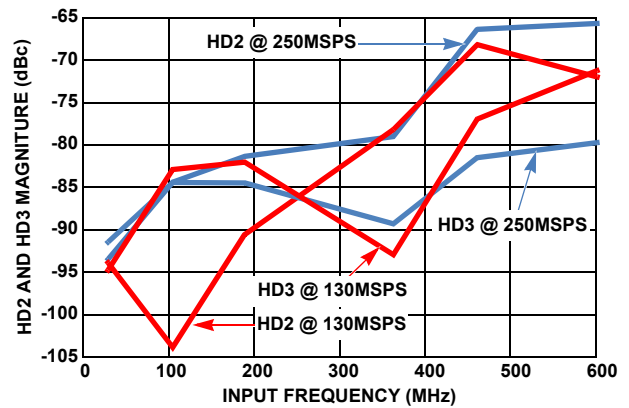


FIGURE 3. HD2 AND HD3 vs f_{IN}

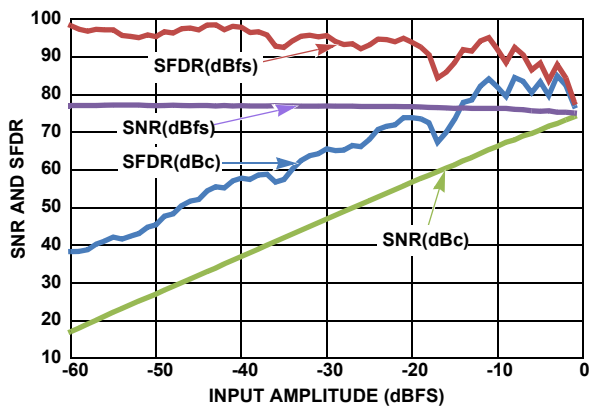


FIGURE 4. SNR AND SFDR vs A_{IN}

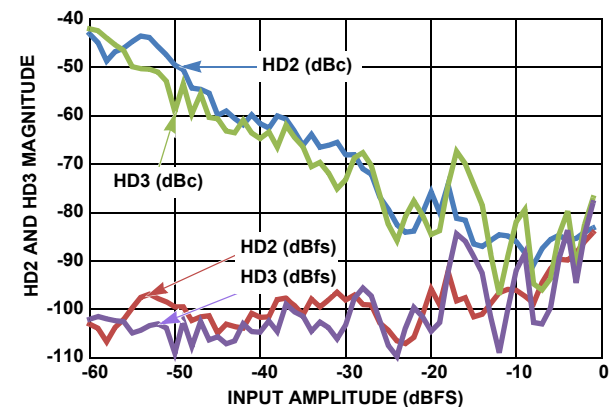


FIGURE 5. HD2 AND HD3 vs A_{IN}

Typical Performance Curves

All Typical Performance Characteristics apply under the following conditions unless otherwise noted: AVDD = OVDD = 1.8V, T_A = +25°C, A_{IN} = -2dBFS, f_{IN} = 105MHz, f_{SAMPLE} = 250MSPS. (Continued)

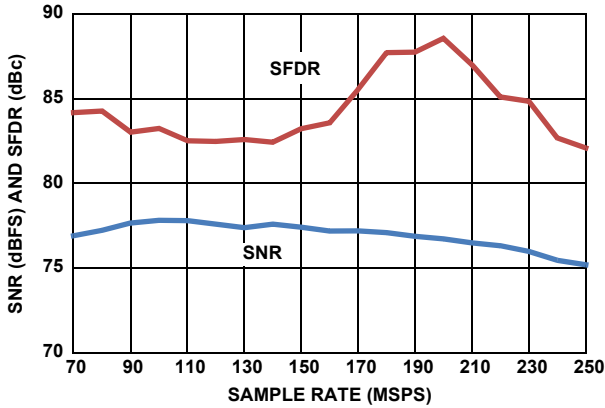


FIGURE 6. SNR AND SFDR vs f_{SAMPLE}

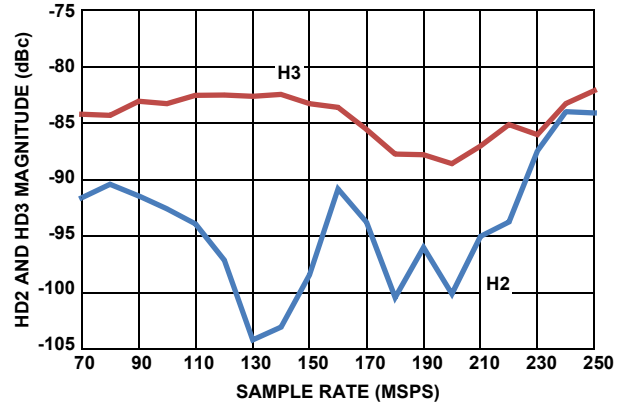


FIGURE 7. HD2 AND HD3 vs f_{SAMPLE}

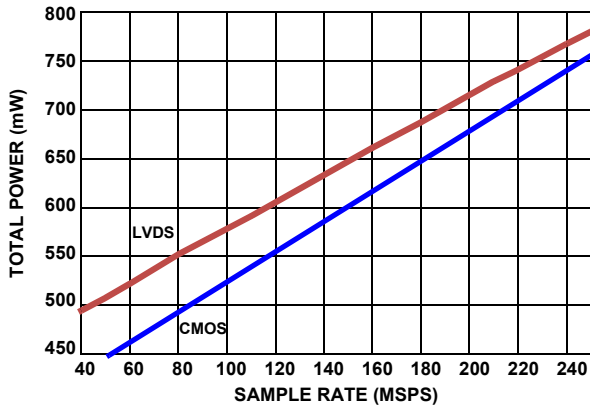


FIGURE 8. POWER vs f_{SAMPLE} IN 3mA LVDS MODE

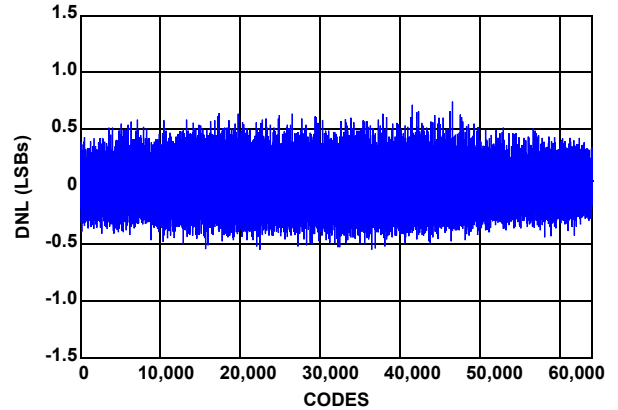


FIGURE 9. DIFFERENTIAL NONLINEARITY

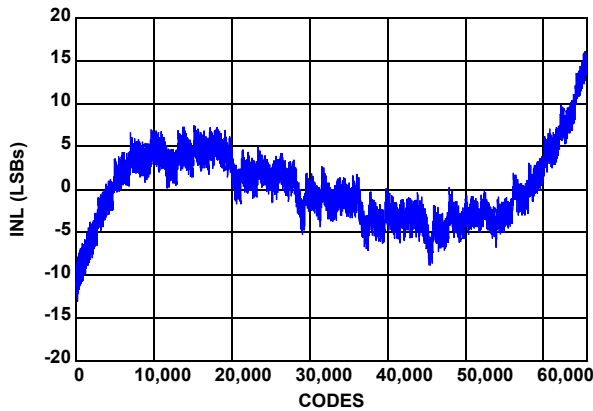


FIGURE 10. INTEGRAL NONLINEARITY

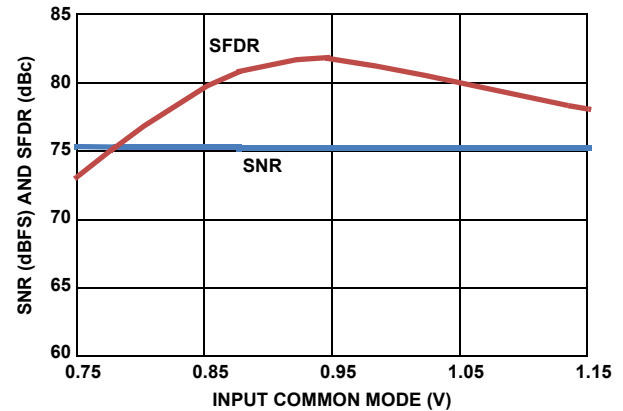


FIGURE 11. SNR AND SFDR vs VCM

Typical Performance Curves

All Typical Performance Characteristics apply under the following conditions unless otherwise noted: AVDD = OVDD = 1.8V, T_A = +25°C, A_{IN} = -2dBFS, f_{IN} = 105MHz, f_{SAMPLE} = 250MSPS. (Continued)

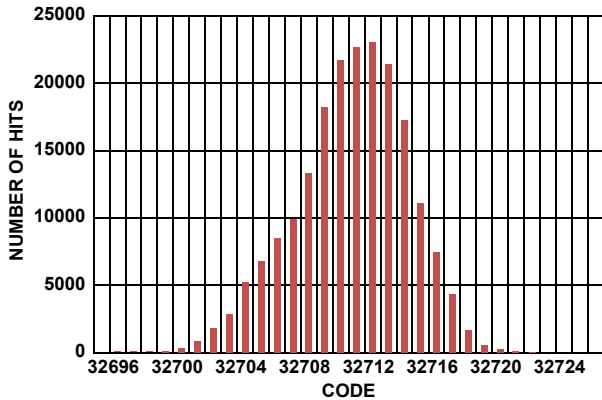


FIGURE 12. NOISE HISTOGRAM

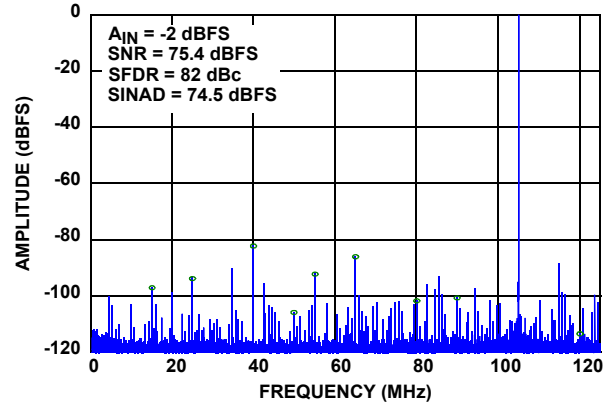


FIGURE 13. SINGLE-TONE SPECTRUM @ 105MHz

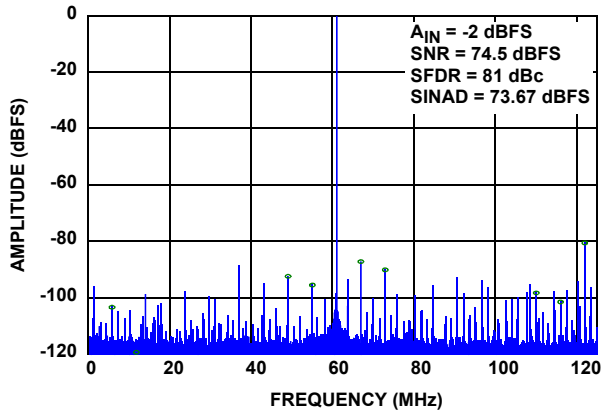


FIGURE 14. SINGLE-TONE SPECTRUM @ 190MHz

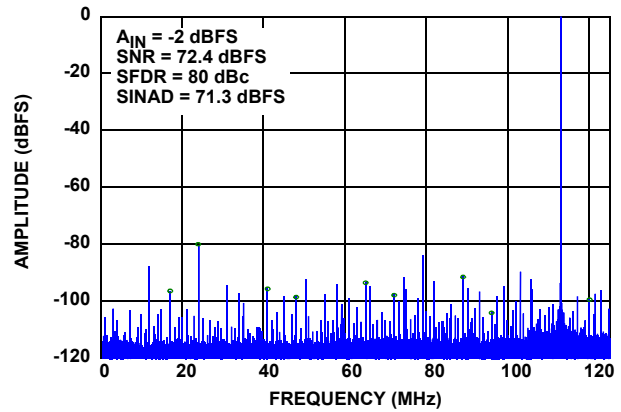


FIGURE 15. SINGLE-TONE SPECTRUM @ 363MHz

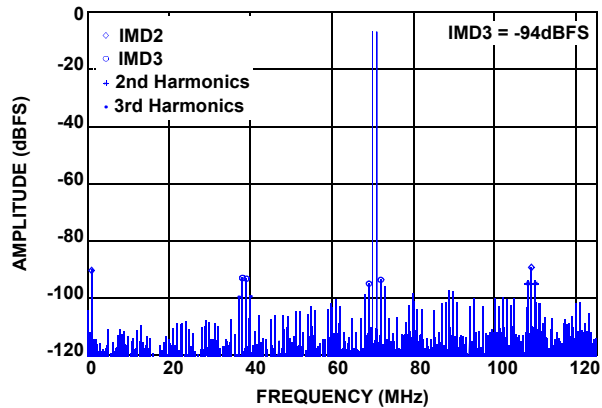


FIGURE 16. TWO-TONE SPECTRUM (F1 = 70MHz, F2 = 71MHz AT -7dBFS)

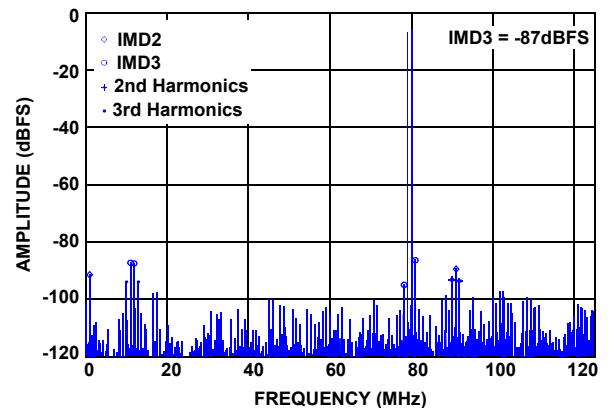


FIGURE 17. TWO-TONE SPECTRUM (F1 = 170MHz, F2 = 171MHz AT -7dBFS)

Theory of Operation

Functional Description

The ISLA216P is based upon a 16-bit, 250MSPS A/D converter core that utilizes a pipelined successive approximation architecture (Figure 18). The input voltage is captured by a Sample-Hold Amplifier (SHA) and converted to a unit of charge. Proprietary charge-domain techniques are used to successively compare the input to a series of reference charges. Decisions made during the successive approximation operations determine the digital code for each input value. Digital error correction is also applied, resulting in a total latency of 10 clock cycles. This is evident to the user as a latency between the start of a conversion and the data being available on the digital outputs.

The ISLA216P family operates by simultaneously sampling the input signal with two ADC cores in parallel and summing the digital result. Since the input signal is correlated between the two cores and noise is not, an increase in SNR is achieved. As a result, the offset, gain, or operational mode of both cores should be adjusted when a change to the ADC's offset, gain, or operational mode is desired.

Power-On Calibration

As mentioned previously, the cores perform a self-calibration at start-up. An internal power-on-reset (POR) circuit detects the supply voltage ramps and initiates the calibration when the analog and digital supply voltages are above a threshold. The

following conditions must be adhered to for the power-on calibration to execute successfully:

- A frequency-stable conversion clock must be applied to the CLKP/CLKN pins
- DNC pins must not be connected
- SDO has an internal pull-up and should not be driven externally
- RESETN is pulled low by the ADC internally during POR. External driving of RESETN is optional.
- SPI communications must not be attempted

A user-initiated reset can subsequently be invoked in the event that the above conditions cannot be met at power-up.

After the power supply has stabilized the internal POR releases RESETN and an internal pull-up pulls it high, which starts the calibration sequence. If a subsequent user-initiated reset is desired, the RESETN pin should be connected to an open-drain driver with an off-state/high impedance state leakage of less than 0.5mA to assure exit from the reset state so calibration can start.

The calibration sequence is initiated on the rising edge of RESETN, as shown in Figure 19. Calibration status can be determined by reading the cal_status bit (LSB) at 0xB6. This bit is '0' during calibration and goes to a logic '1' when calibration is complete. The data outputs produce 0xCCCC during calibration; this can also be used to determine calibration status.

If the selectable clock divider is set to 1 (default), the output clock (CLKOUTP/CLKOUTN) will not be affected by the assertion of RESETN. If the selectable clock divider is set to 2 or 4, the output clock is set low while RESETN is asserted (low). Normal operation of the output clock resumes at the next input clock edge (CLKP/CLKN) after RESETN is de-asserted. At 250MSPS the nominal calibration time is 200ms, while the maximum calibration time is 550ms.

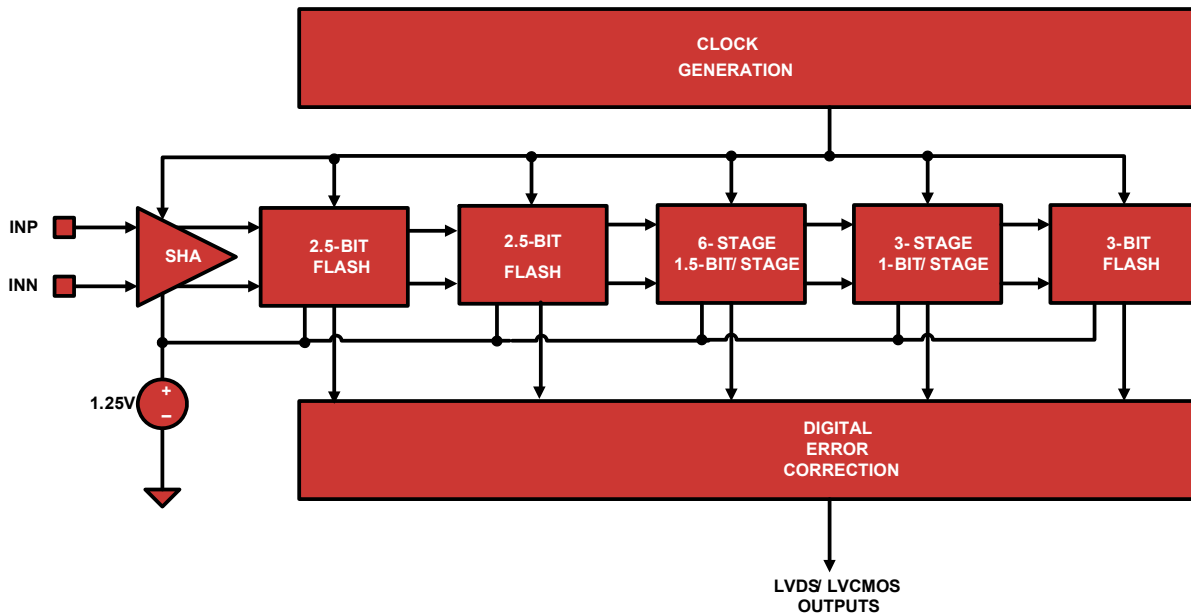


FIGURE 18. A/D CORE BLOCK DIAGRAM

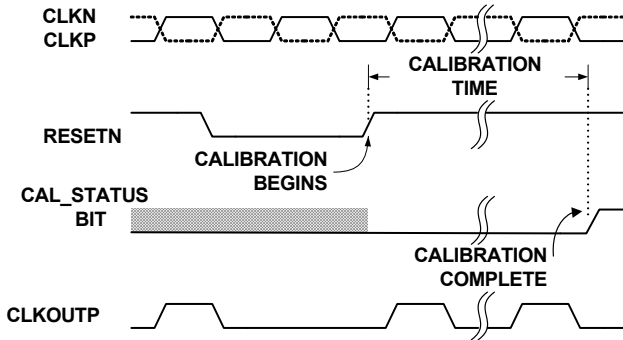


FIGURE 19. CALIBRATION TIMING

User Initiated Reset

Recalibration of the A/D can be initiated at any time by driving the RESETN pin low for a minimum of one clock cycle. An open-drain driver with a drive strength in its high impedance state of less than 0.5mA is recommended, as RESETN has an internal high impedance pull-up to OVDD. As is the case during power-on reset, RESETN and DNC pins must be in the proper state for the calibration to successfully execute.

The performance of the ISLA216P25 changes with variations in temperature, supply voltage or sample rate. The extent of these changes may necessitate recalibration, depending on system performance requirements. Best performance will be achieved

by recalibrating the A/D under the environmental conditions at which it will operate.

A supply voltage variation of <100mV will generally result in an SNR change of <0.5dBFS and SFDR change of <3dBc.

In situations where the sample rate is not constant, best results will be obtained if the device is calibrated at the highest sample rate. Reducing the sample rate by less than 80MSPS will typically result in an SNR change of <0.5dBFS and an SFDR change of <3dBc.

Figures 20 through 25 show the effect of temperature on SNR and SFDR performance with power on calibration performed at -40°C, +25°C, and +85°C. Each plot shows the variation of SNR/SFDR across temperature after a single power on calibration at -40°C, +25°C and +85°C. Best performance is typically achieved by a user-initiated power on calibration at the operating conditions, as stated earlier. However, it can be seen that performance drift with temperature is not a very strong function of the temperature at which the power on calibration is performed; also note that SFDR performance typically improves as the analog input level moves away from full-scale as Figure 4 shows.

Temperature Calibration

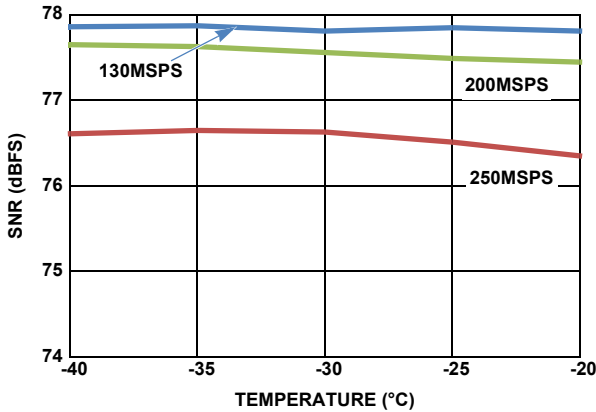


FIGURE 20. TYPICAL SNR PERFORMANCE vs TEMPERATURE, DEVICE CALIBRATED AT -40°C, $f_{IN} = 105\text{MHz}$, -2dBFS

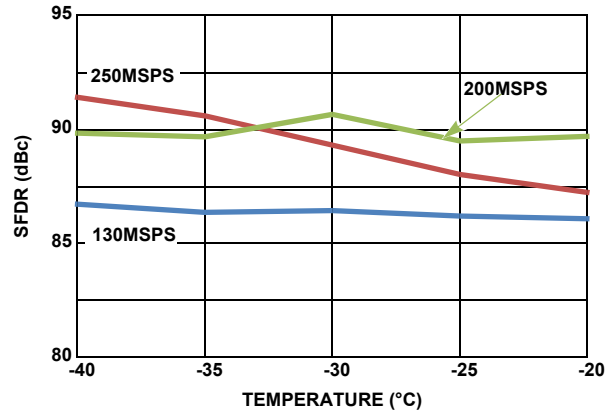


FIGURE 21. TYPICAL SFDR PERFORMANCE vs TEMPERATURE, DEVICE CALIBRATED AT -40°C, $f_{IN} = 105\text{MHz}$, -2dBFS

Temperature Calibration (Continued)

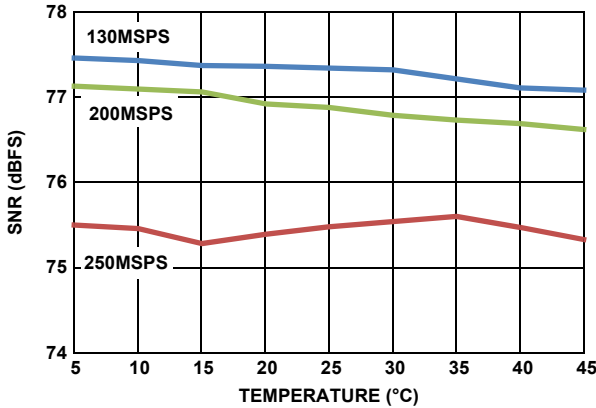


FIGURE 22. TYPICAL SNR PERFORMANCE vs TEMPERATURE, DEVICE CALIBRATED AT +25°C, $f_{IN} = 105\text{MHz}$, -2dBFS

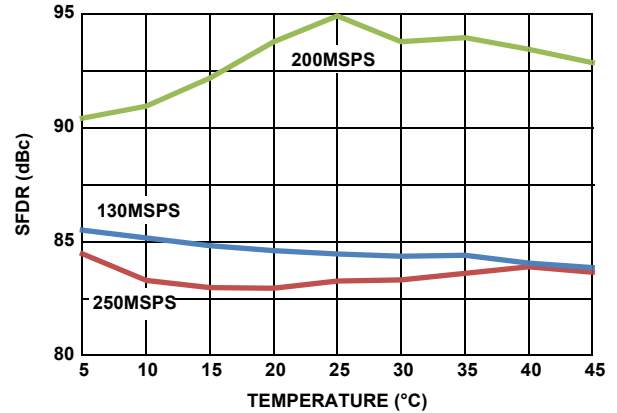


FIGURE 23. TYPICAL SFDR PERFORMANCE vs TEMPERATURE, DEVICE CALIBRATED AT +25°C, $f_{IN} = 105\text{MHz}$, -2dBFS

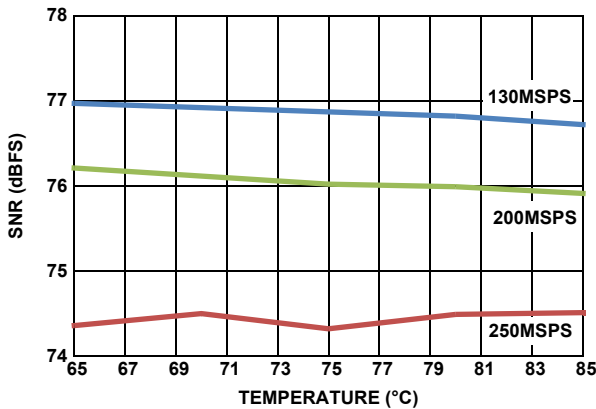


FIGURE 24. TYPICAL SNR PERFORMANCE vs TEMPERATURE, DEVICE CALIBRATED AT +85°C, $f_{IN} = 105\text{MHz}$, -2dBFS

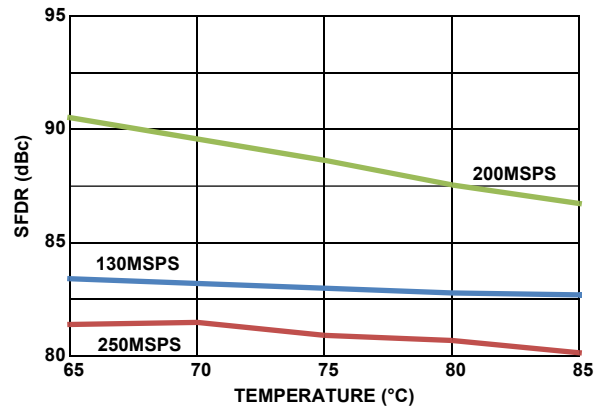


FIGURE 25. TYPICAL SFDR PERFORMANCE vs TEMPERATURE, DEVICE CALIBRATED AT +85°C, $f_{IN} = 105\text{MHz}$, -2dBFS

Analog Input

A single fully differential input (VINP/VINN) connects to the sample and hold amplifier (SHA) of each unit A/D. The ideal full-scale input voltage is 2.0V, centered at the VCM voltage of 0.94V as shown in Figure 26.

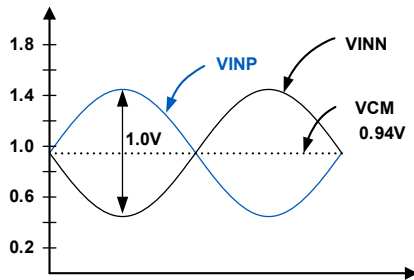


FIGURE 26. ANALOG INPUT RANGE

Best performance is obtained when the analog inputs are driven differentially. The common-mode output voltage, VCM, should be

used to properly bias the inputs as shown in Figures 27 through 29. An RF transformer will give the best noise and distortion performance for wideband and/or high intermediate frequency (IF) inputs. Two different transformer input schemes are shown in Figures 27 and 28.

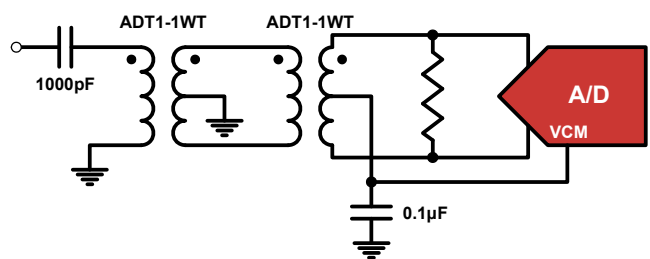


FIGURE 27. TRANSFORMER INPUT FOR GENERAL PURPOSE APPLICATIONS

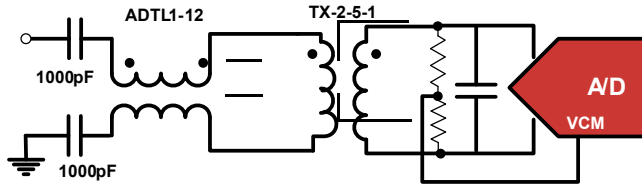


FIGURE 28. TRANSMISSION-LINE TRANSFORMER INPUT FOR HIGH IF APPLICATIONS

This dual transformer scheme is used to improve common-mode rejection, which keeps the common-mode level of the input matched to VCM. The value of the shunt resistor should be determined based on the desired load impedance. The differential input resistance of the ISLA216P25 is 300Ω.

The SHA design uses a switched capacitor input stage (see Figure 42), which creates current spikes when the sampling capacitance is reconnected to the input voltage. This causes a disturbance at the input which must settle before the next sampling point. Lower source impedance will result in faster settling and improved performance. Therefore a 2:1 or 1:1 transformer and low shunt resistance are recommended for optimal performance.

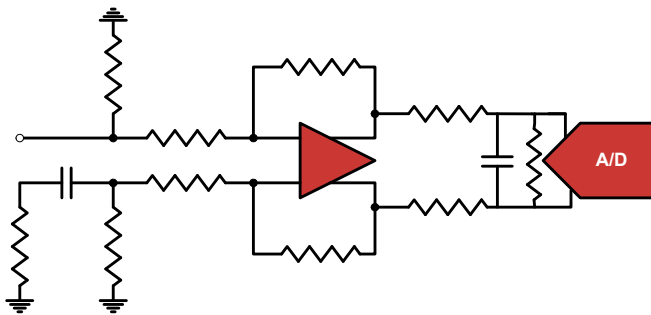


FIGURE 29. DIFFERENTIAL AMPLIFIER INPUT

A differential amplifier, as shown in the simplified block diagram in Figure 29, can be used in applications that require DC-coupling. In this configuration, the amplifier will typically dominate the achievable SNR and distortion performance. The ISL552xx differential amplifier family can also be used in certain AC applications with minimal performance degradation.

Clock Input

The clock input circuit is a differential pair (see Figure 43). Driving these inputs with a high level (up to 1.8V_{P-P} on each input) sine or square wave will provide the lowest jitter performance. A transformer with 4:1 impedance ratio will provide increased drive levels. The clock input is functional with AC-coupled LVDS, LVPECL, and CML drive levels. To maintain the lowest possible aperture jitter, it is recommended to have high slew rate at the zero crossing of the differential clock input signal.

The recommended drive circuit is shown in Figure 30. A duty range of 40% to 60% is acceptable. The clock can be driven single-ended, but this will reduce the edge rate and may impact SNR performance. The clock inputs are internally self-biased to AVDD/2 to facilitate AC coupling.

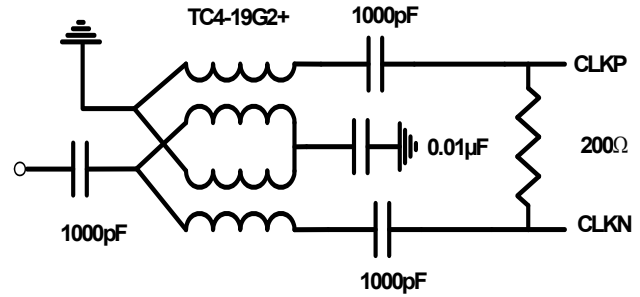


FIGURE 30. RECOMMENDED CLOCK DRIVE

A selectable 2x or 4x frequency divider is provided in series with the clock input. The divider can be used in the 2x mode with a sample clock equal to twice the desired sample rate or in 4x mode with a sample clock equal to four times the desired sample rate. This allows the use of the Phase Slip feature, which enables synchronization of multiple ADCs. The Phase Slip feature can be used as an alternative to using the CLKDIVRST pins to synchronize ADCs in a multiple ADC system.

TABLE 1. CLKDIV PIN SETTINGS

| CLKDIV PIN | DIVIDE RATIO |
|------------|--------------|
| AVSS | 2 |
| Float | 1 |
| AVDD | 4 |

The clock divider can also be controlled through the SPI port, which overrides the CLKDIV pin setting. See "SPI Physical Interface" on page 23. A delay-locked loop (DLL) generates internal clock signals for various stages within the charge pipeline. If the frequency of the input clock changes, the DLL may take up to 52μs to regain lock at 250MSPS. The lock time is inversely proportional to the sample rate.

The DLL has two ranges of operation, slow and fast. The slow range can be used for sample rates between 40MSPS and 100MSPS, while the default fast range can be used from 80MSPS to the maximum specified sample rate.

Jitter

In a sampled data system, clock jitter directly impacts the achievable SNR performance. The theoretical relationship between clock jitter (t_j) and SNR is shown in Equation 1 and is illustrated in Figure 31.

$$\text{SNR} = 20 \log_{10} \left(\frac{1}{2\pi f_{IN} t_j} \right) \quad (\text{EQ. 1})$$

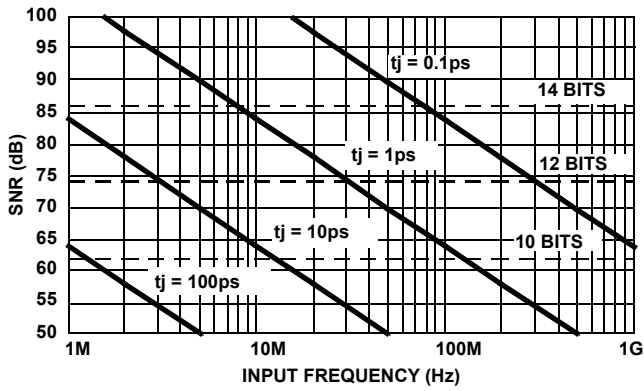


FIGURE 31. SNR vs CLOCK JITTER

This relationship shows the SNR that would be achieved if clock jitter were the only non-ideal factor. In reality, achievable SNR is limited by internal factors such as linearity, aperture jitter and thermal noise. Internal aperture jitter is the uncertainty in the sampling instant shown in Figure 1A. The internal aperture jitter combines with the input clock jitter in a root-sum-square fashion, since they are not statistically correlated, and this determines the total jitter in the system. The total jitter, combined with other noise sources, then determines the achievable SNR.

Voltage Reference

A temperature compensated internal voltage reference provides the reference charges used in the successive approximation operations. The full-scale range of each A/D is proportional to the reference voltage. The nominal value of the voltage reference is 1.25V.

Digital Outputs

Output data is available as a parallel bus in LVDS-compatible (default) or CMOS modes. In either case, the data is presented in double data rate (DDR) format. Figures 1A and 1B show the timing relationships for LVDS and CMOS modes, respectively.

Additionally, the drive current for LVDS mode can be set to a nominal 3mA (default) or a power-saving 2mA. The lower current setting can be used in designs where the receiver is in close physical proximity to the A/D. The applicability of this setting is dependent upon the PCB layout, therefore the user should experiment to determine if performance degradation is observed.

The output mode can be controlled through the SPI port, by writing to address 0x73, see [“Serial Peripheral Interface” on page 23](#).

An external resistor creates the bias for the LVDS drivers. A 10k Ω , 1% resistor must be connected from the RLVDSP pin to OVSS.

Power Dissipation

The power dissipated by the ISLA216P25 is primarily dependent on the sample rate and the output modes: LVDS vs CMOS and DDR vs SDR. There is a static bias in the analog supply, while the remaining power dissipation is linearly related to the sample rate. The output supply dissipation changes to a lesser degree in

LVDS mode, but is more strongly related to the clock frequency in CMOS mode.

Nap/Sleep

Portions of the device may be shut down to save power during times when operation of the A/D is not required. Two power saving modes are available: Nap, and Sleep. Nap mode reduces power dissipation to <103mW while Sleep mode reduces power dissipation to <19mW.

All digital outputs (Data, CLKOUT and OR) are placed in a high impedance state during Nap or Sleep. The input clock should remain running and at a fixed frequency during Nap or Sleep, and CSB should be high. Recovery time from Nap mode will increase if the clock is stopped, since the internal DLL can take up to 52 μ s to regain lock at 250MSPS.

By default after the device is powered on, the operational state is controlled by the NAPSLP pin as shown in Table 2.

TABLE 2. NAPSLP PIN SETTINGS

| NAPSLP PIN | MODE |
|------------|--------|
| AVSS | Normal |
| Float | Sleep |
| AVDD | Nap |

The power-down mode can also be controlled through the SPI port, which overrides the NAPSLP pin setting. Details on this are contained in [“Serial Peripheral Interface” on page 23](#).

Data Format

Output data can be presented in three formats: two's complement (default), Gray code and offset binary. The data format can also be controlled through the SPI port, by writing to address 0x73. Details on this are contained in [“Serial Peripheral Interface” on page 23](#).

Offset binary coding maps the most negative input voltage to code 0x000 (all zeros) and the most positive input to 0xFFFF (all ones). Two's complement coding simply complements the MSB of the offset binary representation.

When calculating Gray code the MSB is unchanged. The remaining bits are computed as the XOR of the current bit position and the next most significant bit. Figure 32 shows this operation.

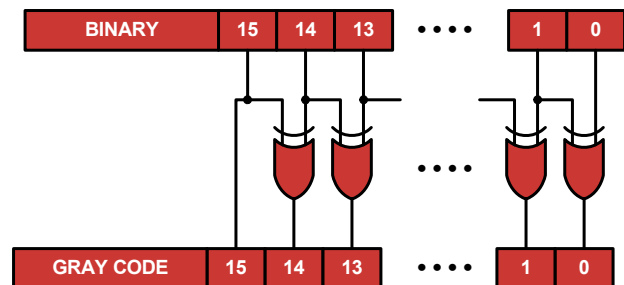


FIGURE 32. BINARY TO GRAY CODE CONVERSION

Converting back to offset binary from Gray code must be done recursively, using the result of each bit for the next lower bit as shown in Figure 33.

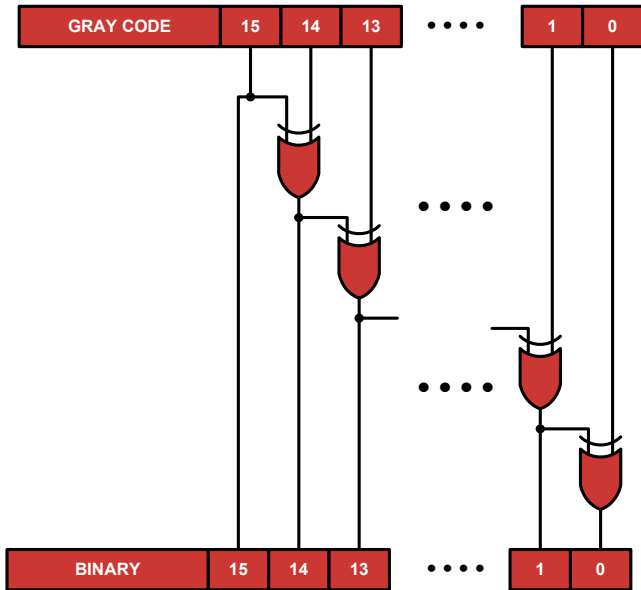


FIGURE 33. GRAY CODE TO BINARY CONVERSION

Mapping of the input voltage to the various data formats is shown in Table 3.

TABLE 3. INPUT VOLTAGE TO OUTPUT CODE MAPPING

| INPUT VOLTAGE | OFFSET BINARY | TWO'S COMPLEMENT | GRAY CODE |
|--------------------|------------------------|------------------------|------------------------|
| -Full Scale | 0000 0000 0000 0000 | 1000 0000 0000 0000 | 0000 0000 0000 0000 |
| -Full Scale + 1LSB | 0000 0000 0000 0001 | 1000 0000 0000 0001 | 0000 0000 0000 0001 |
| Mid-Scale | 1000 0000 0000 0000 | 0000 0000 0000 0000 | 1100 0000 0000 0000 |
| +Full Scale - 1LSB | 1111 1111 1111 1110 | 0111 1111 1111 1110 | 1000 0000 0000 0001 |
| +Full Scale | 1111 1111 1111 1111 | 0111 1111 1111 1111 | 1000 0000 0000 0000 |

Clock Divider Synchronous Reset

If the selectable clock divider is used, the ADC's internal sample clock will be at half the frequency (DIV=2) or one quarter the frequency (DIV=4) of the device clock. The phase relationship between the sample clock and the device clock is initially indeterminate. An output clock (CLKOUTP, CLKOUTN) is provided to facilitate latching of the sampled data and estimation of the internal sample clock's phase. The output clock has a fixed phase relationship to the sample clock. When the selectable clock divider is set to 2 or 4, the output clock's phase relationship to the sample clock remains fixed but is initially indeterminate with respect to the device clock. When the selectable clock divider is set to 2 or 4, the synchronous clock divider reset feature allows the phase of the internal sample clock and the output clock to be synchronized (refer to Figure 34) with respect

to the device clock. This simplifies data capture in systems employing multiple A/Ds where sampling of the inputs is desired to be synchronous.

The reset signal must be well-timed with respect to the sample clock (See "Switching Specifications" on page 11).

A 100Ω differential termination resistor must be supplied between CLKDIVRSTP and CLKDIVRSTN, external to the ADC, (on the PCB) and should be located as close to the CLKDIVRSTP/N pins as possible.

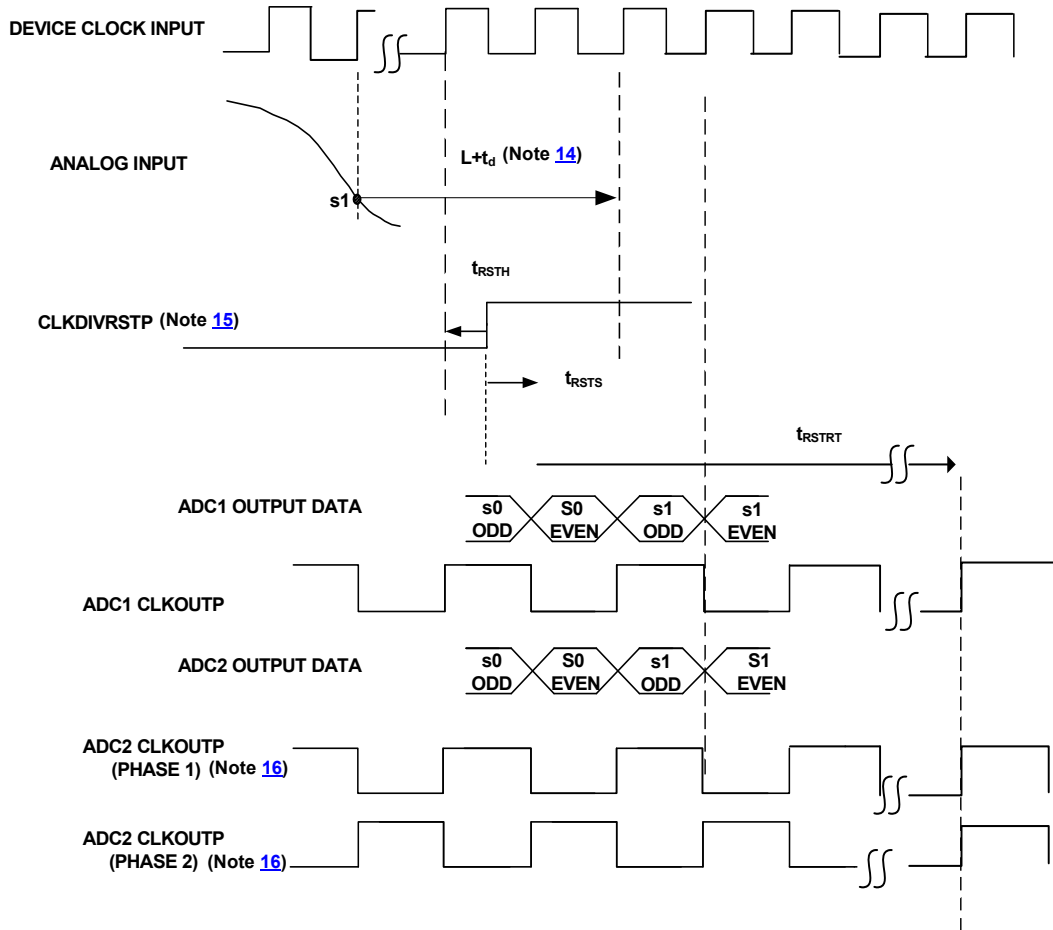


FIGURE 34. SYNCHRONOUS RESET OPERATION, CLOCK DIVIDE = 2

NOTES:

- 14. Delay equals fixed pipeline latency (L cycles of sample clock) plus fixed analog propagation delay, t_d .
- 15. CLKDIVRSTP setup and hold times are with respect to input sample clock rising edge. CLKDIVRSTN is not shown, but must be driven, and is the compliment of CLKDIVRSTP.
- 16. Either Output Clock Phase (phase 1 or phase 2) equally likely prior to synchronization.

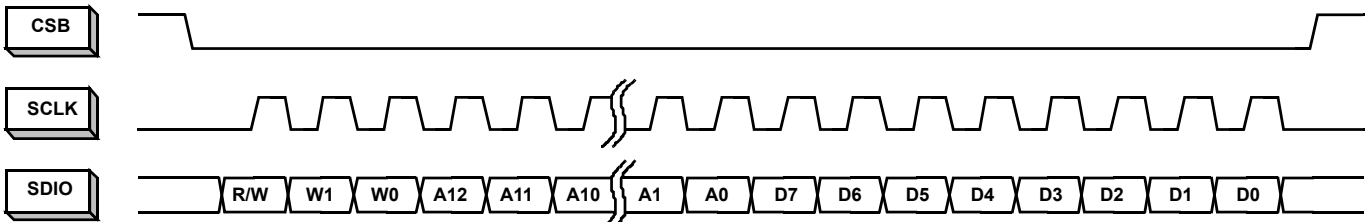


FIGURE 35. MSB-FIRST ADDRESSING

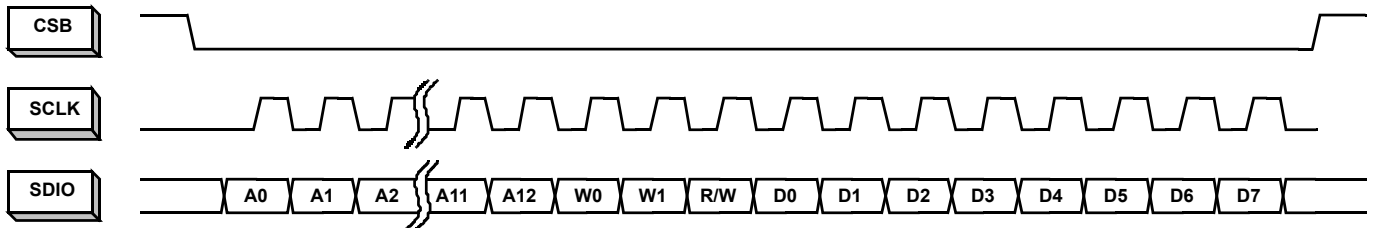
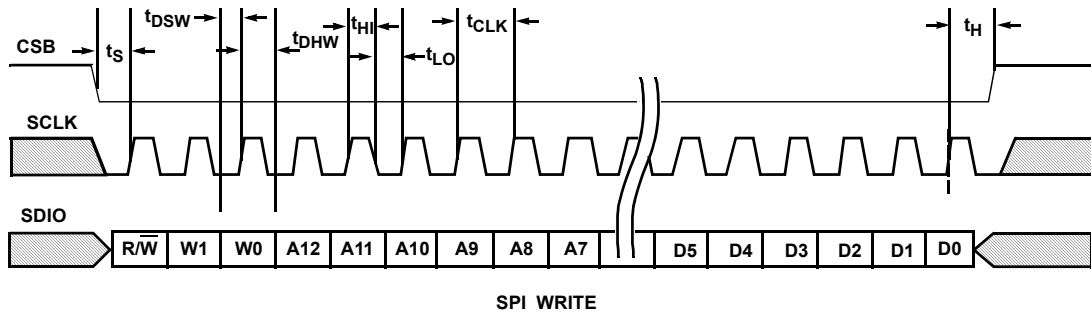
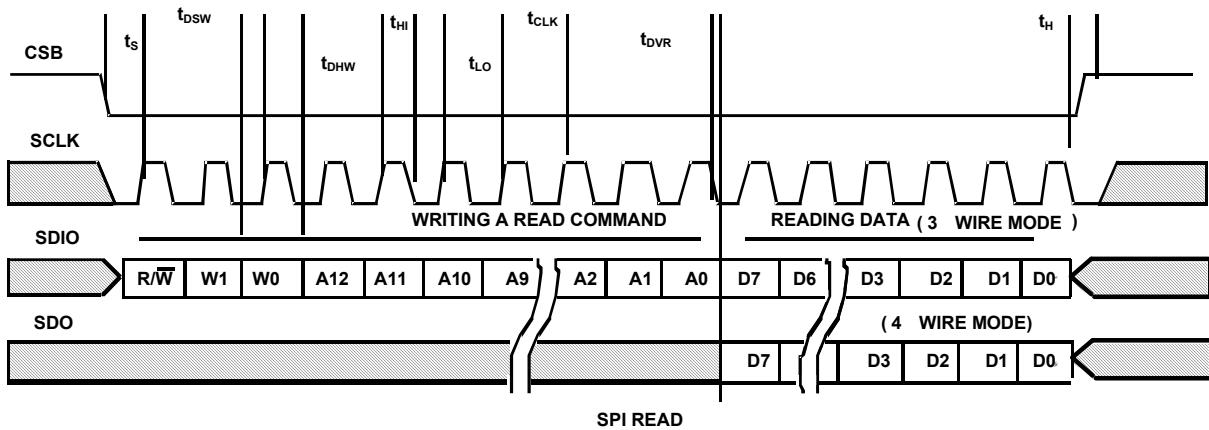


FIGURE 36. LSB-FIRST ADDRESSING



SPI WRITE

FIGURE 37. SPI WRITE



SPI READ

FIGURE 38. SPI READ

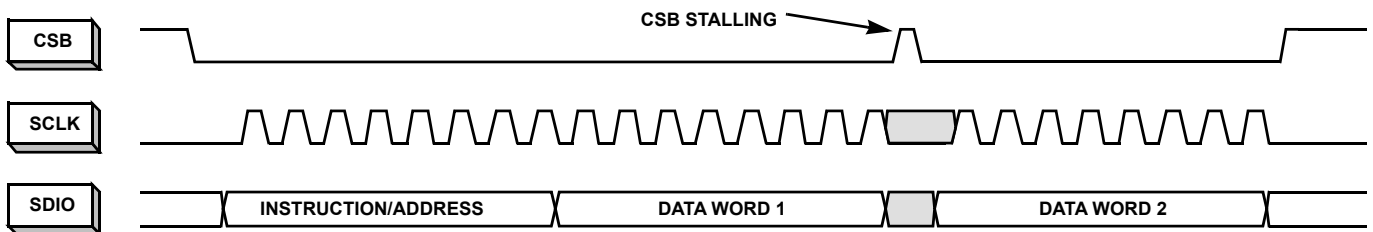


FIGURE 39. 2-BYTE TRANSFER

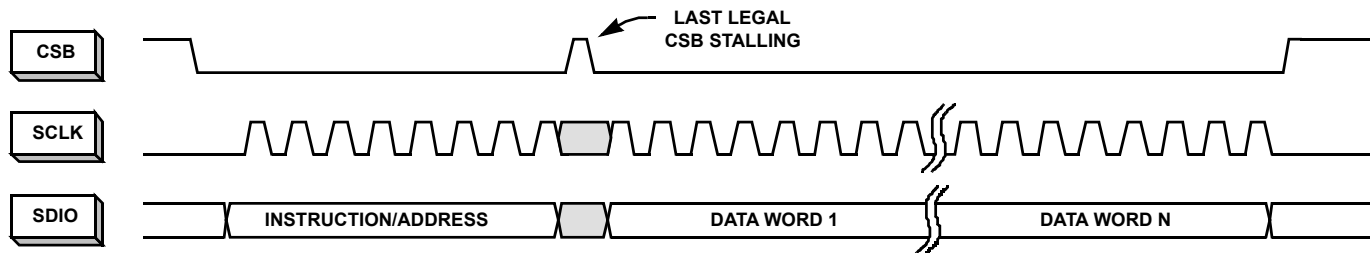


FIGURE 40. N-BYTE TRANSFER

Serial Peripheral Interface

A serial peripheral interface (SPI) bus is used to facilitate configuration of the device and to optimize performance. The SPI bus consists of chip select (CSB), serial clock (SCLK) serial data output (SDO), and serial data input/output (SDIO). The maximum SCLK rate is equal to the A/D sample rate (f_{SAMPLE}) divided by 16 for both write operations and read operations. At $f_{\text{SAMPLE}} = 250\text{MHz}$, maximum SCLK is 15.63MHz for writing and read operations. There is no minimum SCLK rate.

The following sections describe various registers that are used to configure the SPI or adjust performance or functional parameters. Many registers in the available address space (0x00 to 0xFF) are not defined in this document. Additionally, within a defined register there may be certain bits or bit combinations that are reserved. Undefined registers and undefined values within defined registers are reserved and should not be selected. Setting any reserved register or value may produce indeterminate results.

SPI Physical Interface

The serial clock pin (SCLK) provides synchronization for the data transfer. By default, all data is presented on the serial data input/output (SDIO) pin in three-wire mode. The state of the SDIO pin is set automatically in the communication protocol (described in the following). A dedicated serial data output pin (SDO) can be activated by setting 0x00[7] high to allow operation in four-wire mode.

The SPI port operates in a half duplex master/slave configuration, with the ISLA216P25 functioning as a slave. Multiple slave devices can interface to a single master in three-wire mode only, since the SDO output of an unaddressed device is asserted in four wire mode.

The chip-select bar (CSB) pin determines when a slave device is being addressed. Multiple slave devices can be written to concurrently, but only one slave device can be read from at a given time (again, only in three-wire mode). If multiple slave devices are selected for reading at the same time, the results will be indeterminate.

The communication protocol begins with an instruction/address phase. The first rising SCLK edge following a high-to-low transition on CSB determines the beginning of the two-byte instruction/address command; SCLK must be static low before the CSB transition. Data can be presented in MSB-first order or LSB-first order. The default is MSB-first, but this can be changed by setting 0x00[6] high. Figures 35 and 36 show the appropriate

bit ordering for the MSB-first and LSB-first modes, respectively. In MSB-first mode, the address is incremented for multi-byte transfers, while in LSB-first mode it's decremented.

In the default mode, the MSB is R/W, which determines if the data is to be read (active high) or written. The next two bits, W1 and W0, determine the number of data bytes to be read or written (see Table 4). The lower 13 bits contain the first address for the data transfer. This relationship is illustrated in Figure 37, and timing values are given in "Switching Specifications" on page 11.

After the instruction/address bytes have been read, the appropriate number of data bytes are written to or read from the A/D (based on the R/W bit status). The data transfer will continue as long as CSB remains low and SCLK is active. Stalling of the CSB pin is allowed at any byte boundary (instruction/address or data) if the number of bytes being transferred is three or less. For transfers of four bytes or more, CSB is allowed to stall in the middle of the instruction/address bytes or before the first data byte. If CSB transitions to a high state after that point the state machine will reset and terminate the data transfer.

TABLE 4. BYTE TRANSFER SELECTION

| [W1:W0] | BYTES TRANSFERRED |
|---------|-------------------|
| 00 | 1 |
| 01 | 2 |
| 10 | 3 |
| 11 | 4 or more |

Figures 39 and 40 illustrate the timing relationships for 2-byte and N-byte transfers, respectively. The operation for a 3-byte transfer can be inferred from these diagrams.

SPI Configuration

ADDRESS 0X00: CHIP_PORT_CONFIG

Bit ordering and SPI reset are controlled by this register. Bit order can be selected as MSB to LSB (MSB first) or LSB to MSB (LSB first) to accommodate various micro controllers.

Bit 7 SDO Active

Bit 6 LSB First

Setting this bit high configures the SPI to interpret serial data as arriving in LSB to MSB order.

Bit 5 Soft Reset

Setting this bit high resets all SPI registers to default values.

Bit 4 Reserved

This bit should always be set high.

Bits 3:0 These bits should always mirror bits 4:7 to avoid ambiguity in bit ordering.

ADDRESS 0X02: BURST_END

If a series of sequential registers are to be set, burst mode can improve throughput by eliminating redundant addressing. The burst is ended by pulling the CSB pin high. Setting the burst_end address determines the end of the transfer. During a write operation, the user must be cautious to transmit the correct number of bytes based on the starting and ending addresses.

Bits 7:0 Burst End Address

This register value determines the ending address of the burst data.

Device Information**ADDRESS 0X08: CHIP_ID****ADDRESS 0X09: CHIP_VERSION**

The generic die identifier and a revision number, respectively, can be read from these two registers.

Device Configuration/Control

A common SPI map, which can accommodate single-channel or multi-channel devices, is used for all Renesas A/D products.

ADDRESS 0X20: OFFSET_COARSE_ADCO**ADDRESS 0X21: OFFSET_FINE_ADCO**

The input offset of the A/D core can be adjusted in fine and coarse steps. Both adjustments are made via an 8-bit word as detailed in Table 5. The data format is twos complement.

The default value of each register will be the result of the self-calibration after initial power-up. If a register is to be incremented or decremented, the user should first read the register value then write the incremented or decremented value back to the same register. Bit 0 in register 0xFE must be set high to enable updates written to 0x20 and 0x21 to be used by the ADC (see description for 0xFE).

TABLE 5. OFFSET ADJUSTMENTS

| PARAMETER | 0x20[7:0] COARSE OFFSET | 0x21[7:0] FINE OFFSET |
|--------------------|----------------------------|--------------------------|
| Steps | 255 | 255 |
| -Full Scale (0x00) | -133LSB (-47mV) | -5LSB (-1.75mV) |
| Mid-Scale (0x80) | 0.0LSB (0.0mV) | 0.0LSB |
| +Full Scale (0xFF) | +133LSB (+47mV) | +5LSB (+1.75mV) |
| Nominal Step Size | 1.04LSB (0.37mV) | 0.04LSB (0.014mV) |

ADDRESS 0X22: GAIN_COARSE_ADCO**ADDRESS 0X23: GAIN_MEDIUM_ADCO****ADDRESS 0X24: GAIN_FINE_ADCO**

Gain of the A/D core can be adjusted in coarse, medium and fine steps. Coarse gain is a 4-bit adjustment while medium and fine are 8-bit. Multiple Coarse Gain Bits can be set for a total adjustment range of $\pm 4.2\%$. ('0011' $\cong -4.2\%$ and '1100' $\cong +4.2\%$) It is recommended to use one of the coarse gain settings (-4.2%, -2.8%, -1.4%, 0, 1.4%, 2.8%, 4.2%) and fine-tune the gain using the registers at 0x0023 and 0x24.

The default value of each register will be the result of the self-calibration after initial power-up. If a register is to be incremented or decremented, the user should first read the register value then write the incremented or decremented value back to the same register. Bit 0 in register 0xFE must be set high to enable updates written to 0x23 and 0x24 to be used by the ADC (see description for 0xFE).

TABLE 6. COARSE GAIN ADJUSTMENT

| 0x22[3:0] core 0 0x26[3:0] core 1 | NOMINAL COARSE GAIN ADJUST (%) |
|--------------------------------------|--------------------------------|
| Bit3 | +2.8 |
| Bit2 | +1.4 |
| Bit1 | -2.8 |
| Bit0 | -1.4 |

TABLE 7. MEDIUM AND FINE GAIN ADJUSTMENTS

| PARAMETER | 0x23[7:0] MEDIUM GAIN | 0x24[7:0] FINE GAIN |
|--------------------|--------------------------|------------------------|
| Steps | 256 | 256 |
| -Full Scale (0x00) | -2% | -0.20% |
| Mid-Scale (0x80) | 0.00% | 0.00% |
| +Full Scale (0xFF) | +2% | +0.2% |
| Nominal Step Size | 0.016% | 0.0016% |

ADDRESS 0X25: MODES

Two distinct reduced power modes can be selected. By default, the tri-level NAPSLP pin can select normal operation, nap or sleep modes (refer to "[Nap/Sleep](#)" on page 19). This functionality can be overridden and controlled through the SPI. This is an indexed function when controlled from the SPI, but a global function when driven from the pin. This register is not changed by a Soft Reset.

TABLE 8. POWER-DOWN CONTROL

| VALUE | 0x25[2:0] POWER DOWN MODE |
|-------|------------------------------|
| 000 | Pin Control |
| 001 | Normal Operation |
| 010 | Nap Mode |
| 100 | Sleep Mode |

ADDRESS 0X26: OFFSET_COARSE_ADC1

ADDRESS 0X27: OFFSET_FINE_ADC1

The input offset of A/D core#1 can be adjusted in fine and coarse steps in the same way that offset for core#0 can be adjusted. Both adjustments are made via an 8-bit word as detailed in Table 5. The data format is two's complement.

The default value of each register will be the result of the self-calibration after initial power-up. If a register is to be incremented or decremented, the user should first read the register value then write the incremented or decremented value back to the same register. Bit 0 in register 0xFE must be set high to enable updates written to 0x26 and 0x27 to be used by the ADC (see description for 0xFE).

ADDRESS 0X28: GAIN_COARSE_ADC1

ADDRESS 0X29: GAIN_MEDIUM_ADC1

ADDRESS 0X2A: GAIN_FINE_ADC1

Gain of A/D core #1 can be adjusted in coarse, medium and fine steps in the same way that core #0 can be adjusted. Coarse gain is a 4-bit adjustment while medium and fine are 8-bit. Multiple Coarse Gain Bits can be set for a total adjustment range of ±4.2. Bit 0 in register 0xFE must be set high to enable updates written to 0x29 and 0x2A to be used by the ADC (see description for 0xFE).

Global Device Configuration/Control

ADDRESS 0X71: PHASE_SLIP

The output data clock is generated by dividing down the A/D input sample clock. Some systems with multiple A/Ds can more easily latch the data from each A/D by controlling the phase of the output data clock. This control is accomplished through the use of the phase_slip SPI feature, which allows the rising edge of the output data clock to be advanced by one input clock period, as shown in the Figure 41. Execution of a phase_slip command is accomplished by first writing a '0' to bit 0 at address 0x71, followed by writing a '1' to bit 0 at address 0x71.

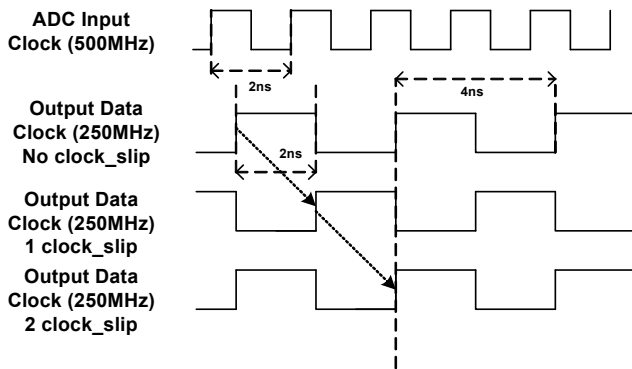


FIGURE 41. PHASE SLIP

ADDRESS 0X72: CLOCK_DIVIDE

The ISLA216P25 has a selectable clock divider that can be set to divide by two or one (no division). By default, the tri-level CLKDIV pin selects the divisor. This functionality can be overridden and

controlled through the SPI, as shown in Table 9. This register is not changed by a Soft Reset.

TABLE 9. CLOCK DIVIDER SELECTION

| VALUE | 0x72[2:0] CLOCK DIVIDER |
|-------|-------------------------|
| 000 | Pin Control |
| 001 | Divide by 1 |
| 010 | Divide by 2 |
| other | Not Allowed |

ADDRESS 0X73: OUTPUT_MODE_A

The output_mode_A register controls the physical output format of the data, as well as the logical coding. The ISLA216P25 can present output data in two physical formats: LVDS (default) or LVCMOS. Additionally, the drive strength in LVDS mode can be set high (default, 3mA or low (2mA).

Data can be coded in three possible formats: two's complement (default), Gray code or offset binary. See Table 11.

This register is not changed by a Soft Reset.

TABLE 10. OUTPUT MODE CONTROL

| VALUE | 0x73[7:5] OUTPUT MODE |
|-------|-----------------------|
| 000 | LVDS 3mA (Default) |
| 001 | LVDS 2mA |
| 100 | LVCMOS |

TABLE 11. OUTPUT FORMAT CONTROL

| VALUE | 0x73[2:0] OUTPUT FORMAT |
|-------|----------------------------|
| 000 | Two's Complement (Default) |
| 010 | Gray Code |
| 100 | Offset Binary |

ADDRESS 0X74: OUTPUT_MODE_B

Bit 6 DLL Range

This bit sets the DLL operating range to fast (default) or slow.

Internal clock signals are generated by a delay-locked loop (DLL), which has a finite operating range. Table 12 shows the allowable sample rate ranges for the slow and fast settings. Note that Bit 4 at 0x74 is reserved and must not change value. A user writing to Bit 6 should first read 0x74 to determine proper value to write back to Bit 4 when writing to 0x74

TABLE 12. DLL RANGES

| DLL RANGE | MIN | MAX | UNIT |
|-----------|-----|-----|------|
| Slow | 40 | 100 | MSPS |
| Fast | 80 | 250 | MSPS |

ADDRESS 0XB6: CALIBRATION STATUS

The LSB at address 0xB6 can be read to determine calibration status. The bit is '0' during calibration and goes to a logic '1' when calibration is complete. This register is unique in that it can be read after POR at calibration, unlike the other registers on chip, which can't be read until calibration is complete.

DEVICE TEST

The ISLA216P25 can produce preset or user defined patterns on the digital outputs to facilitate in-situ testing. A user can pick from preset built-in patterns by writing to the output test mode field [7:4] at 0xC0 or user defined patterns by writing to the user test mode field [2:0] at 0xC0. The user defined patterns should be loaded at address space 0xC1 through 0xD0, see the [“SPI Memory Map” on page 27](#) for more detail. The predefined patterns are shown in Table 13. The test mode is enabled asynchronously to the sample clock, therefore several sample clock cycles may elapse before the data is present on the output bus.

ADDRESS 0XC0: TEST_IO**Bits 7:4 Output Test Mode**

These bits set the test mode according to Table 13. Other values are reserved. User test patterns loaded at 0xC1 through 0xD0 are also available by writing '1000' to [7:4] at 0xC0 and a pattern depth value to [2:0] at 0xC0. See [“SPI Memory Map” on page 27](#).

Bits 2:0 User Test Mode

The three LSBs in this register determine the test pattern in combination with registers 0xC1 through 0xD0. Refer to the [“SPI Memory Map” on page 27](#).

TABLE 13. OUTPUT TEST MODES

| VALUE | 0xC0[7:4] OUTPUT TEST MODE | WORD 1 | WORD 2 |
|-------|-------------------------------|------------|------------|
| 0000 | Off | | |
| 0001 | Midscale | 0x8000 | N/A |
| 0010 | Positive Full-Scale | 0xFFFF | N/A |
| 0011 | Negative Full-Scale | 0x0000 | N/A |
| 0100 | Reserved | N/A | N/A |
| 0101 | Reserved | N/A | N/A |
| 0110 | Reserved | N/A | N/A |
| 0111 | Reserved | | |
| 1000 | User Pattern | user_patt1 | user_patt2 |
| 1001 | Reserved | N/A | N/A |
| 1010 | Ramp | N/A | N/A |

ADDRESS 0XC1: USER_PATT1_LSB**ADDRESS 0XC2: USER_PATT1_MSB**

These registers define the lower and upper eight bits, respectively, of the user-defined pattern 1.

ADDRESS 0XC3: USER_PATT2_LSB**ADDRESS 0XC4: USER_PATT2_MSB**

These registers define the lower and upper eight bits, respectively, of the user-defined pattern 2

ADDRESS 0XC5: USER_PATT3_LSB**ADDRESS 0XC6: USER_PATT3_MSB**

These registers define the lower and upper eight bits, respectively, of the user-defined pattern 3

ADDRESS 0XC7: USER_PATT4_LSB**ADDRESS 0XC8: USER_PATT4_MSB**

These registers define the lower and upper eight bits, respectively, of the user-defined pattern 4.

ADDRESS 0XC9: USER_PATT5_LSB**ADDRESS 0XCA: USER_PATT5_MSB**

These registers define the lower and upper eight bits, respectively, of the user-defined pattern 5.

ADDRESS 0XCB: USER_PATT6_LSB**ADDRESS 0XCC: USER_PATT6_MSB**

These registers define the lower and upper eight bits, respectively, of the user-defined pattern 6

ADDRESS 0XCD: USER_PATT7_LSB**ADDRESS 0XCE: USER_PATT7_MSB**

These registers define the lower and upper eight bits, respectively, of the user-defined pattern 7.

ADDRESS 0XCF: USER_PATT8_LSB**ADDRESS 0XD0: USER_PATT8_MSB**

These registers define the lower and upper eight bits, respectively, of the user-defined pattern 8.

ADDRESS 0XFE: OFFSET/GAIN_ADJUST_ENABLE

Bit 0 at this register must be set high to enable adjustment of offset coarse and fine adjustments ADC0 (0x20 and 0x21), ADC1 (0x26 and 0x27) and gain medium and gain fine adjustments ADC0 (0x23 and 0x24), ADC1 (0x29 and 0x2A). It is recommended that new data be written to the offset and gain adjustment registers ADC0(0x20, 0x21, 0x23, 0x24) and ADC1(0x26, 0x27, 0x29, 0x2A) while Bit 0 is a '0'. Subsequently, Bit 0 should be set to '1' to allow the values written to the aforementioned registers to be used by the ADC. Bit 0 should be set to a '0' upon completion

Digital Temperature Sensor**ADDRESS 0X4B: TEMP_COUNTER_HIGH**

Bits [2:0] of this register hold the 3 MSBs of the 11-bit temperature code.

Bit [7] of this register indicates a valid temperature_counter read was performed. A logic '1' indicates a valid read.

ADDRESS 0X4C: TEMP_COUNTER_LOW

Bits [7:0] of this register hold the lower 8 LSBs of the 11-bit temperature code.

ADDRESS 0X4D: TEMP_COUNTER_CONTROL

Bit [7] Measurement mode select bit, set to '1' for recommended PTAT mode. '0' (default) is IPTAT mode and is less accurate and not recommended.

Bit [6] Temperature counter enable bit. Set to '1' to enable.

Bit [5] Temperature counter power down bit. Set to '1' to power-down temperature counter.

Bit [4] Temperature counter reset bit. Set to '1' to reset count.

Bit [3:1] Three bit frequency divider field. Sets temperature counter update rate. Update rate is proportional to ADC sample clock rate and divide ratio. A '101' updates the temp counter every ~ 66 μ s (for 250MSPS). Faster updates rates result in lower precision.

Bit [0] Select sampler bit. Set to '0'.

This set of registers provides digital access to an PTAT or IPTAT-based temperature sensor, allowing the system to estimate the temperature of the die, allowing easy access to information that can be used to decide when to recalibrate the A/D as needed.

The nominal transfer function of the temperature monitor should be estimated for each device by reading the temperature sensor at two temperatures and extrapolating a line through these two points.

A typical temperature measurement can occur as follows:

1. Write '0xCA' to address 0x4D - enable temp counter, divide='101'
2. Wait $\geq 132\mu$ s (at 250MSPs) - longer wait time ensures the sensor completes one valid cycle.
3. Write '0x20' to address 0x4D - power down, disable temp counter-recommended between measurements. This ensures that the output does not change between MSB and LSB reads.
4. Read address 0x4B (MSBs)
5. Read address 0x4C (LSBs)
6. Record temp code value
7. Write '0x20' to address 0x4D - power-down, disable temp counter.

SPI Memory Map

| | ADDR. (Hex) | PARAMETER NAME | BIT 7 (MSB) | BIT 6 | BIT 5 | BIT 4 | BIT 3 | BIT 2 | BIT 1 | BIT 0 (LSB) | DEF. VALUE (HEX) | |
|--------------------|----------------|----------------|-------------------------|-----------|------------|-------|-------|---------------|---------------|---------------|---------------------|-----------|
| SPI Config/Control | 00 | port_config | SDO Active | LSB First | Soft Reset | | | Mirror (bit5) | Mirror (bit6) | Mirror (bit7) | 00h | |
| | 01 | Reserved | Reserved | | | | | | | | | |
| | 02 | burst_end | Burst end address [7:0] | | | | | | | | | 00h |
| | 03-07 | Reserved | Reserved | | | | | | | | | |
| DUT Info | 08 | chip_id | Chip ID # | | | | | | | | | Read only |
| | 09 | chip_version | Chip Version # | | | | | | | | | Read only |
| | 0A-0F | Reserved | Reserved | | | | | | | | | |

SPI Memory Map (Continued)

| | ADDR. (Hex) | PARAMETER NAME | BIT 7 (MSB) | BIT 6 | BIT 5 | BIT 4 | BIT 3 | BIT 2 | BIT 1 | BIT 0 (LSB) | DEF. VALUE (HEX) |
|-----------------------|----------------------|--------------------|---|--|-------|---------------|-------------|--|---------------------|-----------------------------------|-----------------------------------|
| Device Config/Control | 10-1F | Reserved | Reserved | | | | | | | | |
| | 20 | offset_coarse_adc0 | Coarse Offset | | | | | | | | cal. value |
| | 21 | offset_fine_adc0 | Fine Offset | | | | | | | | cal. value |
| | 22 | gain_coarse_adc0 | Reserved | | | | Coarse Gain | | | | cal. value |
| | 23 | gain_medium_adc0 | Medium Gain | | | | | | | | cal. value |
| | 24 | gain_fine_adc0 | Fine Gain | | | | | | | | cal. value |
| | 25 | modes_adc0 | Reserved | | | | | Power Down Mode ADC0 [2:0] 000 = Pin Control 001 = Normal Operation 010 = Nap 100 = Sleep Other codes = Reserved | | | 00h NOT reset by Soft Reset |
| | 26 | offset_coarse_adc1 | Coarse Offset | | | | | | | | cal. value |
| | 27 | offset_fine_adc1 | Fine Offset | | | | | | | | cal. value |
| | 28 | gain_coarse_adc1 | Reserved | | | | Coarse Gain | | | | cal. value |
| | 29 | gain_medium_adc1 | Medium Gain | | | | | | | | cal. value |
| | 2A | gain_fine_adc1 | Fine Gain | | | | | | | | cal. value |
| | 2B | modes_adc1 | Reserved | | | | | Power Down Mode ADC1 [2:0] 000 = Pin Control 001 = Normal Operation 010 = Nap 100 = Sleep Other codes = Reserved | | | 00h NOT reset by Soft Reset |
| | 2C-2F | Reserved | Reserved | | | | | | | | |
| | 30-4A | Reserved | Reserved | | | | | | | | |
| | 4B | temp_counter_high | | | | | | | Temp Counter [10:8] | | Read only |
| | 4C | temp_counter_low | Temp Counter [7:0] | | | | | | | | Read only |
| 4D | temp_counter_control | | Enable | PD | Reset | Divider [2:0] | | | Select | 00h | |
| 4E-6F | Reserved | Reserved | | | | | | | | | |
| 70 | skew_diff | Differential Skew | | | | | | | | 80h | |
| 71 | phase_slip | Reserved | | | | | | | | Next Clock Edge | 00h |
| 72 | clock_divide | | | | | | | Clock Divide [2:0] 000 = Pin Control 001 = divide by 1 010 = divide by 2 100 = divide by 4 Other codes = Reserved | | 00h NOT reset by Soft Reset | |
| Device Config/Control | 73 | output_mode_A | Output Mode [7:5] 000 = LVDS 3mA (Default) 001 = LVDS 2mA 100 = LVCMOS Other codes = Reserved | | | | | Output Format [2:0] 000 = Two's Complement (Default) 010 = Gray Code 100 = Offset Binary Other codes = Reserved | | | 00h NOT reset by Soft Reset |
| | 74 | output_mode_B | | DLL Range 0 = Fast 1 = Slow Default='0' | | Reserved | | | | | 00h NOT reset by Soft Reset |
| | 75-B5 | Reserved | Reserved | | | | | | | | |
| | B6 | cal_status | | | | | | | | Calibration Done | Read Only |
| | B7-BF | Reserved | Reserved | | | | | | | | |

SPI Memory Map (Continued)

| ADDR. (Hex) | PARAMETER NAME | BIT 7 (MSB) | BIT 6 | BIT 5 | BIT 4 | BIT 3 | BIT 2 | BIT 1 | BIT 0 (LSB) | DEF. VALUE (HEX) | | |
|-------------|----------------|--|----------|-------|-------|-------|------------------------|-------|-------------|--|------|-----|
| Device Test | C0 | test_io | | | | | Output Test Mode [7:4] | | | User Test Mode [2:0] | | 00h |
| | | 0 = Off (Note 17) 1 = Midscale Short 2 = +FS Short 3 = -FS Short 4 = Reserved (Note18) 5-6 = Reserved 7 = Reserved (Note19) 8 = User Pattern (1 to 4 deep) 9 = Reserved 10 = Ramp 11-15 = Reserved | | | | | | | | 0 = user pattern 1 only 1 = cycle pattern 1,3 2 = cycle pattern 1,3,5 3 = cycle pattern 1,3,5,7 4-7 = NA | | |
| | C1 | user_patt1_lsb | B7 | B6 | B5 | B4 | B3 | B2 | B1 | B0 | 0x00 | |
| | C2 | user_patt1_msb | B15 | B14 | B13 | B12 | B11 | B10 | B9 | B8 | 00h | |
| | C3 | user_patt2_lsb | B7 | B6 | B5 | B4 | B3 | B2 | B1 | B0 | 00h | |
| | C4 | user_patt2_msb | B15 | B14 | B13 | B12 | B11 | B10 | B9 | B8 | 00h | |
| | C5 | user_patt3_lsb | B7 | B6 | B5 | B4 | B3 | B2 | B1 | B0 | 00h | |
| | C6 | user_patt3_msb | B15 | B14 | B13 | B12 | B11 | B10 | B9 | B8 | 00h | |
| | C7 | user_patt4_lsb | B7 | B6 | B5 | B4 | B3 | B2 | B1 | B0 | 00h | |
| | C8 | user_patt4_msb | B15 | B14 | B13 | B12 | B11 | B10 | B9 | B8 | 00h | |
| | C9 | user_patt5_lsb | B7 | B6 | B5 | B4 | B3 | B2 | B1 | B0 | 00h | |
| | CA | user_patt5_msb | B15 | B14 | B13 | B12 | B11 | B10 | B9 | B8 | 00h | |
| | CB | user_patt6_lsb | B7 | B6 | B5 | B4 | B3 | B2 | B1 | B0 | 00h | |
| | CC | user_patt6_msb | B15 | B14 | B13 | B12 | B11 | B10 | B9 | B8 | 00h | |
| | CD | user_patt7_lsb | B7 | B6 | B5 | B4 | B3 | B2 | B1 | B0 | 00h | |
| | CE | user_patt7_msb | B15 | B14 | B13 | B12 | B11 | B10 | B9 | B8 | 00h | |
| | CF | user_patt8_lsb | B7 | B6 | B5 | B4 | B3 | B2 | B1 | B0 | 00h | |
| | D0 | user_patt8_msb | B15 | B14 | B13 | B12 | B11 | B10 | B9 | B8 | 00h | |
| | D1-FD | Reserved | Reserved | | | | | | | | | |
| | FE | Offset/Gain_Adjust_Enable | Reserved | | | | | | | Enable 1 = Enable | | 00h |
| FF | Reserved | Reserved | | | | | | | | | | |

NOTES:

17. During Calibration xCCCC (MSB justified) is presented at the output data bus, toggling on the LSB (and higher) data bits occurs at completion of calibration. This behavior can be used as an option to determine calibration state.
18. Use test_io = 0x80 and User Pattern 1 = 0x9999 for Checkerboard outputs on DDR Outputs.
19. Use test_io = 0x80 and User Pattern 1 = 0xA000 for all ones/zeroes outputs on DDR Outputs

Equivalent Circuits

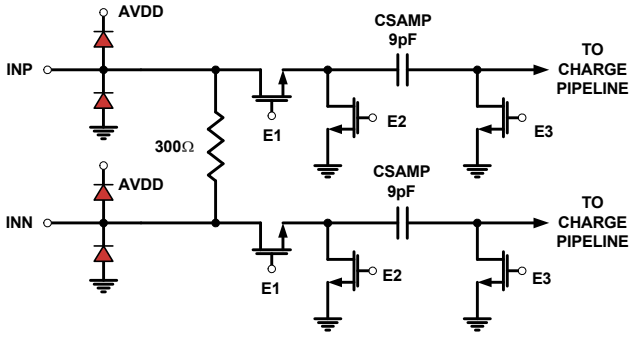


FIGURE 42. ANALOG INPUTS

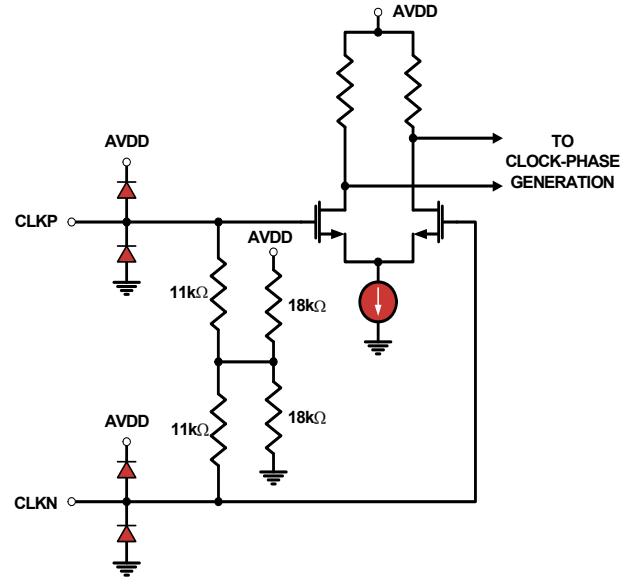


FIGURE 43. CLOCK INPUTS

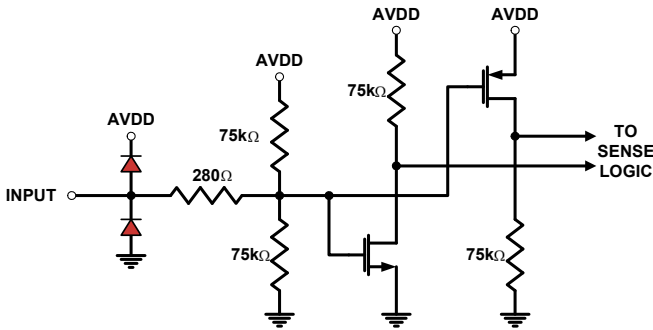


FIGURE 44. TRI-LEVEL DIGITAL INPUTS

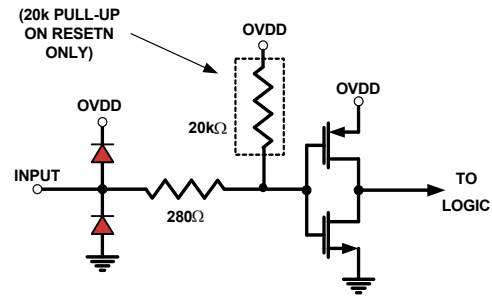


FIGURE 45. DIGITAL INPUTS

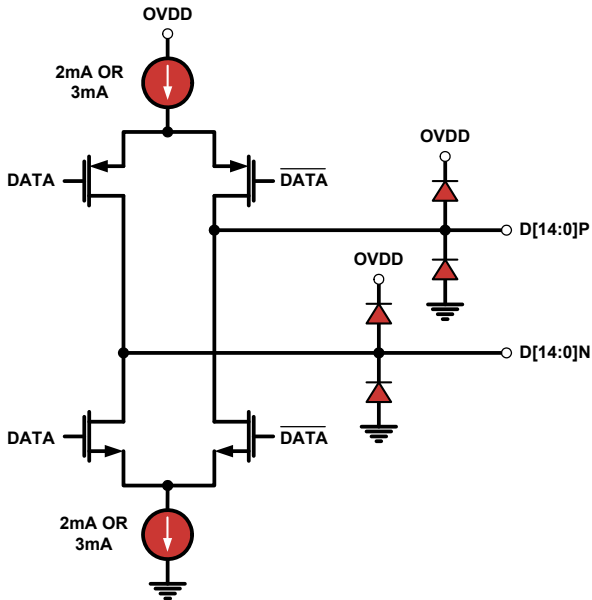


FIGURE 46. LVDS OUTPUTS

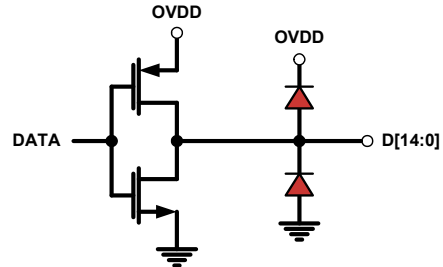


FIGURE 47. CMOS OUTPUTS

Equivalent Circuits (Continued)

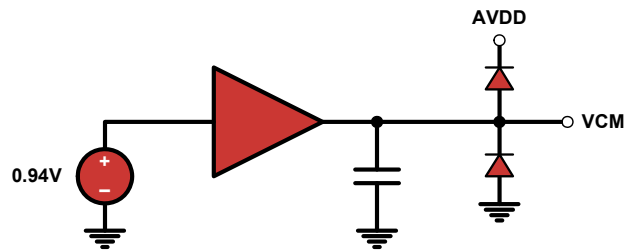


FIGURE 48. VCM_OUT OUTPUT

A/D Evaluation Platform

Renesas offers an A/D Evaluation platform which can be used to evaluate any of Renesas' high speed A/D products. The platform consists of a FPGA based data capture motherboard and a family of A/D daughtercards. This USB based platform allows a user to quickly evaluate the A/D's performance at a user's specific application frequency requirements. More information is available at on our [website](#).

Layout Considerations

Split Ground and Power Planes

Data converters operating at high sampling frequencies require extra care in PC board layout. Many complex board designs benefit from isolating the analog and digital sections. Analog supply and ground planes should be laid out under signal and clock inputs. Locate the digital planes under outputs and logic pins. Grounds should be joined under the chip.

Clock Input Considerations

Use matched transmission lines to the transformer inputs for the analog input and clock signals. Locate transformers and terminations as close to the chip as possible.

Exposed Paddle

The exposed paddle must be electrically connected to analog ground (AVSS) and should be connected to a large copper plane using numerous vias for optimal thermal performance.

Bypass and Filtering

Bulk capacitors should have low equivalent series resistance. Tantalum is a good choice. For best performance, keep ceramic bypass capacitors very close to device pins. Longer traces will increase inductance, resulting in diminished dynamic performance and accuracy. Make sure that connections to ground are direct and low impedance. Avoid forming ground loops.

LVDS Outputs

Output traces and connections must be designed for 50Ω (100Ω differential) characteristic impedance. Keep traces direct and minimize bends where possible. Avoid crossing ground and power-plane breaks with signal traces.

LVC MOS Outputs

Output traces and connections must be designed for 50Ω characteristic impedance.

Unused Inputs

Standard logic inputs (RESETN, CSB, SCLK, SDIO, SDO) which will not be operated do not require connection to ensure optimal A/D performance. These inputs can be left floating if they are not used. Tri-level inputs (NAPSLP) accept a floating input as a valid state, and therefore should be biased according to the desired functionality.

Definitions

Analog Input Bandwidth is the analog input frequency at which the spectral output power at the fundamental frequency (as determined by FFT analysis) is reduced by 3dB from its full-scale low-frequency value. This is also referred to as Full Power Bandwidth.

Aperture Delay or Sampling Delay is the time required after the rise of the clock input for the sampling switch to open, at which time the signal is held for conversion.

Aperture Jitter is the RMS variation in aperture delay for a set of samples.

Clock Duty Cycle is the ratio of the time the clock wave is at logic high to the total time of one clock period.

Differential Non-Linearity (DNL) is the deviation of any code width from an ideal 1 LSB step.

Effective Number of Bits (ENOB) is an alternate method of specifying Signal to Noise-and-Distortion Ratio (SINAD). In dB, it is calculated as: $ENOB = (SINAD - 1.76)/6.02$

Gain Error is the ratio of the difference between the voltages that cause the lowest and highest code transitions to the full-scale voltage less than 2 LSB. It is typically expressed in percent.

I2E The Interleave Engine. This highly configurable circuitry performs estimates of offset, gain, and sample time skew mismatches between the core converters, and updates analog adjustments for each to minimize interleave spurs.

Integral Non-Linearity (INL) is the maximum deviation of the A/D's transfer function from a best fit line determined by a least squares curve fit of that transfer function, measured in units of LSBs.

Least Significant Bit (LSB) is the bit that has the smallest value or weight in a digital word. Its value in terms of input voltage is $V_{FS}/(2^N - 1)$ where N is the resolution in bits.

Missing Codes are output codes that are skipped and will never appear at the A/D output. These codes cannot be reached with any input value.

Most Significant Bit (MSB) is the bit that has the largest value or weight.

Pipeline Delay is the number of clock cycles between the initiation of a conversion and the appearance at the output pins of the data.

Power Supply Rejection Ratio (PSRR) is the ratio of the observed magnitude of a spur in the A/D FFT, caused by an AC signal superimposed on the power supply voltage.

Signal to Noise-and-Distortion (SINAD) is the ratio of the RMS signal amplitude to the RMS sum of all other spectral components below one half the clock frequency, including harmonics but excluding DC.

Signal-to-Noise Ratio (without Harmonics) is the ratio of the RMS signal amplitude to the RMS sum of all other spectral components below one-half the sampling frequency, excluding harmonics and DC.

SNR and SINAD are either given in units of dB when the power of the fundamental is used as the reference, or dBFS (dB to full scale) when the converter's full-scale input power is used as the reference.

Spurious-Free-Dynamic Range (SFDR) is the ratio of the RMS signal amplitude to the RMS value of the largest spurious spectral component. The largest spurious spectral component may or may not be a harmonic.

Revision History

The revision history provided is for informational purposes only and is believed to be accurate, but not warranted. Please go to web to make sure you have the latest Rev.

| DATE | REVISION | CHANGE |
|--------------|----------|---|
| Jul 6, 2021 | 3.0 | Updated links throughout. Updated Ordering Information table format, removed retired parts, and updated applicable notes. Changed POD from L72.10x10E to L72.10x10G. Removed About Intersil section |
| Nov 28, 2012 | 2.0 | Datasheet update for better accuracy and clarity. |
| Apr 15, 2011 | 1.0 | -Updated Ordering Information by Changing Eval board name from ISLA216P25EVAL TO ISLA216IR72EV1Z and updating description -Electrical Specifications Table change: DC Specifications ->Analog Input->Common-Mode Input Current (per pin) -> TYP "10.8" to "5.2" Added CMOS Power Typical Specs under Total Power Dissipation ->Normal Mode Digital Specifications Table ->Input Capacitance->TYP "3" to "4" Digital Specifications Table ->LVDS INPUTS (CLKRSTP, CLKRSTN) TO LVDS INPUTS (CLKDIVRSTP, CLKDIVRSTN) -Updated temperature calibration curves -Added clkdiv description in Clock Input Section -Removed '2-wire mode' text in "Address 0x02:Burst_End" section -Updated Bit6 at Address 0x74:Output_Mode_B section |
| Jan 13, 2011 | 0.0 | Initial Release |

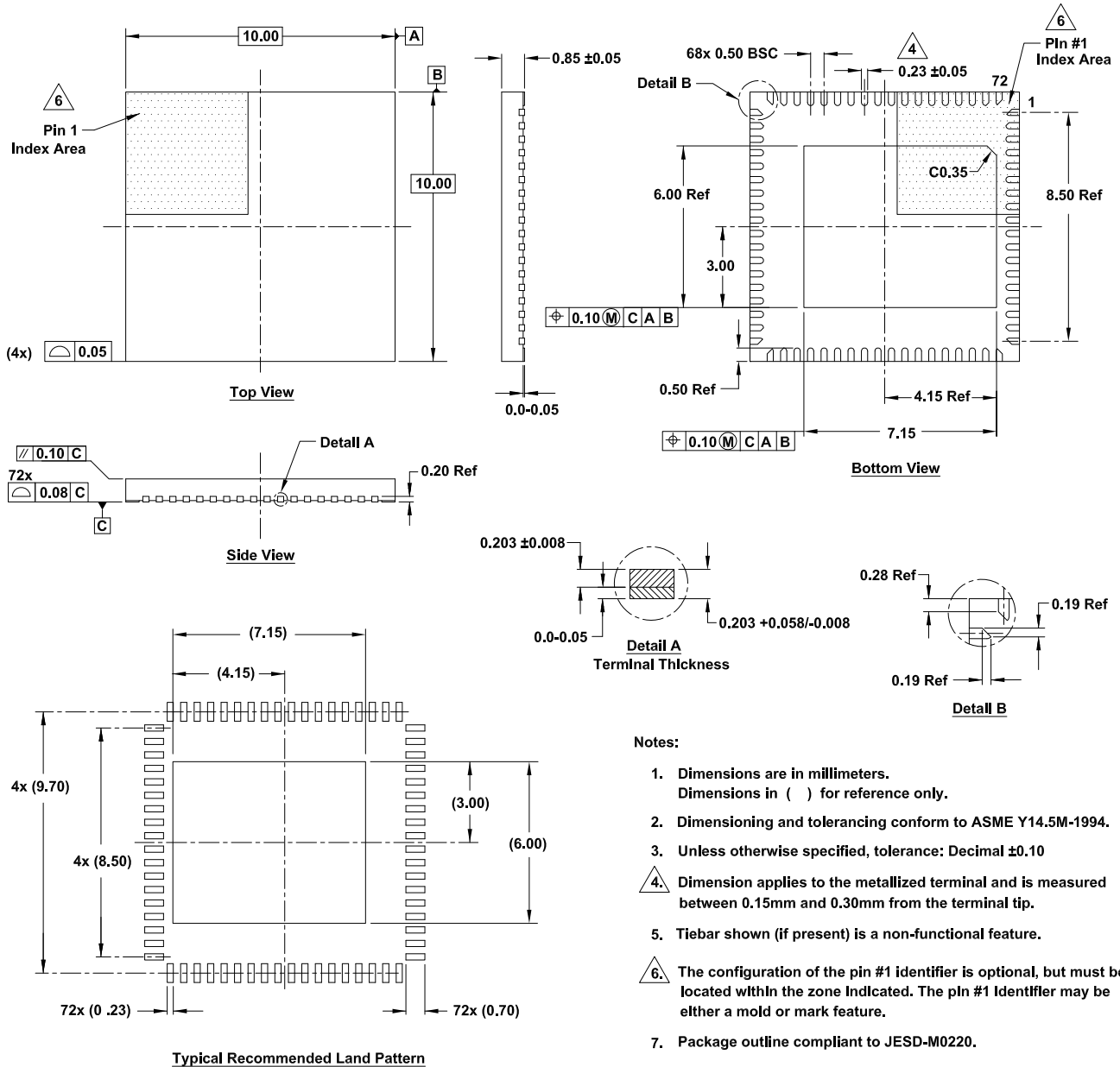
Package Outline Drawing

For the most recent package outline drawing, see L72.10x10G.

L72.10x10G

72 Lead Quad Flat No-Lead Plastic Package (QFN)

Rev 0, 4/20



Notes:

1. Dimensions are in millimeters.
Dimensions in () for reference only.
2. Dimensioning and tolerancing conform to ASME Y14.5M-1994.
3. Unless otherwise specified, tolerance: Decimal ±0.10
4. Dimension applies to the metallized terminal and is measured between 0.15mm and 0.30mm from the terminal tip.
5. Tiebar shown (if present) is a non-functional feature.
6. The configuration of the pin #1 identifier is optional, but must be located within the zone indicated. The pin #1 identifier may be either a mold or mark feature.
7. Package outline compliant to JESD-M0220.

IMPORTANT NOTICE AND DISCLAIMER

RENESAS ELECTRONICS CORPORATION AND ITS SUBSIDIARIES (“RENESAS”) PROVIDES TECHNICAL SPECIFICATIONS AND RELIABILITY DATA (INCLUDING DATASHEETS), DESIGN RESOURCES (INCLUDING REFERENCE DESIGNS), APPLICATION OR OTHER DESIGN ADVICE, WEB TOOLS, SAFETY INFORMATION, AND OTHER RESOURCES “AS IS” AND WITH ALL FAULTS, AND DISCLAIMS ALL WARRANTIES, EXPRESS OR IMPLIED, INCLUDING, WITHOUT LIMITATION, ANY IMPLIED WARRANTIES OF MERCHANTABILITY, FITNESS FOR A PARTICULAR PURPOSE, OR NON-INFRINGEMENT OF THIRD PARTY INTELLECTUAL PROPERTY RIGHTS.

These resources are intended for developers skilled in the art designing with Renesas products. You are solely responsible for (1) selecting the appropriate products for your application, (2) designing, validating, and testing your application, and (3) ensuring your application meets applicable standards, and any other safety, security, or other requirements. These resources are subject to change without notice. Renesas grants you permission to use these resources only for development of an application that uses Renesas products. Other reproduction or use of these resources is strictly prohibited. No license is granted to any other Renesas intellectual property or to any third party intellectual property. Renesas disclaims responsibility for, and you will fully indemnify Renesas and its representatives against, any claims, damages, costs, losses, or liabilities arising out of your use of these resources. Renesas' products are provided only subject to Renesas' Terms and Conditions of Sale or other applicable terms agreed to in writing. No use of any Renesas resources expands or otherwise alters any applicable warranties or warranty disclaimers for these products.

(Rev.1.0 Mar 2020)

Corporate Headquarters

TOYOSU FORESIA, 3-2-24 Toyosu,
Koto-ku, Tokyo 135-0061, Japan
www.renesas.com

Contact Information

For further information on a product, technology, the most up-to-date version of a document, or your nearest sales office, please visit:
www.renesas.com/contact/

Trademarks

Renesas and the Renesas logo are trademarks of Renesas Electronics Corporation. All trademarks and registered trademarks are the property of their respective owners.

Looking for pricing, stock, or lifecycle information?

Click below to explore more details on WIN SOURCE:

- ⊖ [View ISLA216P25IRZ on WIN SOURCE](#)
- ⊖ [Renesas Electronics America](#) Information

Optimize Your Supply Chain with WIN SOURCE Solutions

- ✓ Global Sourcing Solution
- ✓ Obsolete Management
- ✓ Cost Control Management
- ✓ Shortage Management
- ✓ Alternative Solution
- ✓ Excess Inventory Management