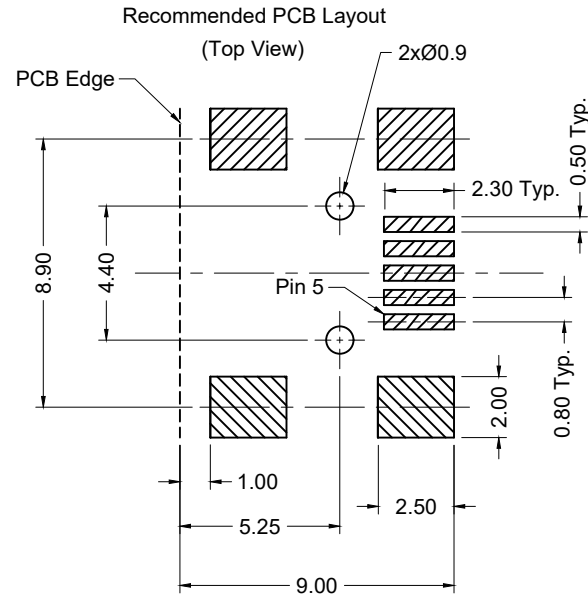
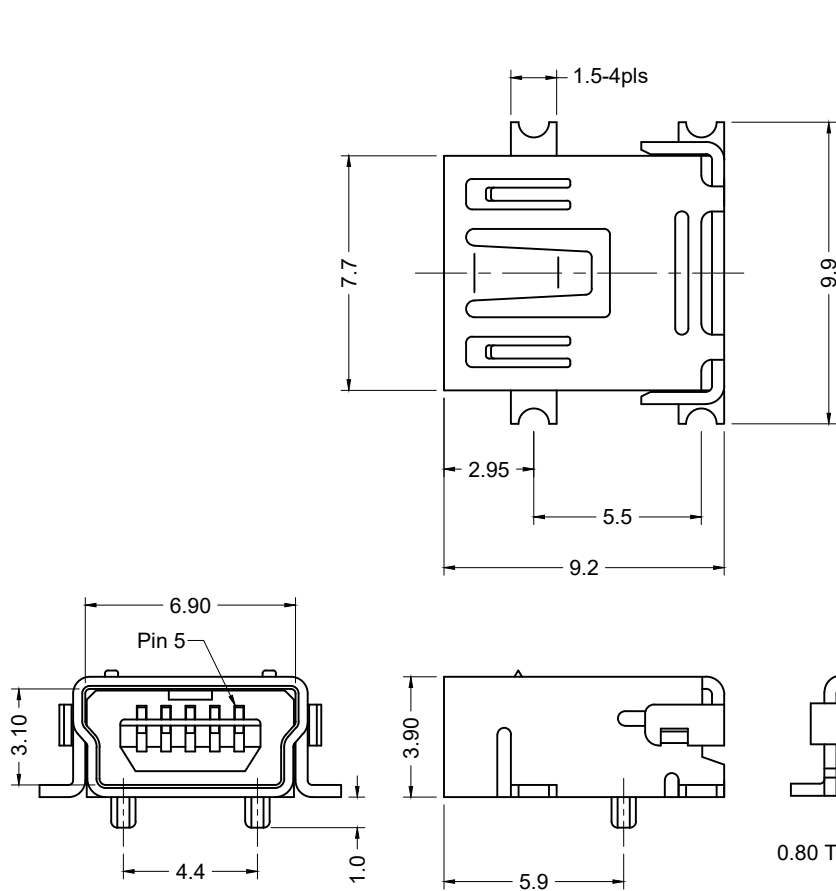




**THE DATASHEET OF
KMBX-SMT-5S-S-30TR**





Materials and Finish

Shell: Copper Alloy,
Plating - Matte Tin

Insulator: UL94V-0 Rated
PA6T Thermoplastic
Color - Black

Contacts: Phosphor Bronze
Plating - 30u" Gold
on Contact Area,
3.8um (150u") Matte Tin
on Solder Tail, all over
1.27um (50u") Nickel

Durability: 5000 mating cycles

Electrical Specifications

Rated Voltage:
30V AC (rms)

Contact Current Rating:
1A Max.

Contact Resistance:
50 milliohms Max.

Insulation Resistance:
100 Megohms Min.

Dielectric Withstanding:
100V AC

Operating Temperature:
-55°C to +85°C



Tolerances
X.X ± 0.25
X.XX ± 0.15
Unless Stated Otherwise

REV.	DATE	DESCRIPTION	REV. BY	CHK. BY	DRAWN BY	DATE
A4	09/14/09	ECO #09-070	S. Vien	H. MA	N.Chang	06/27/05
A5	04/26/13	ECO #13-019	W. Cook	P. DalCanto		
A6	09/13/13	ECO #13-068	D. Gih	P. DalCanto		
A7	11/05/13	ECO #13-081	D. Gih	H. MA		
A8	07/06/18	Update Address & RoHS	C. Kelleher	C. Furumasa		
A9	12/07/18	ECO #18-063	G. Serrato	D. Shehan		

KMBX-SMT-5S-S-30TR

USB, Mini-B Type Socket, RoHS Compliant

5-pin, SMT, meets USB 2.0 Specification



Looking for pricing, stock, or lifecycle information?

Click below to explore more details on WIN SOURCE:

 [View KMBX-SMT-5S-S-30TR on WIN SOURCE](#)

 [Kycon, Inc. Information](#)

Optimize Your Supply Chain with WIN SOURCE Solutions

-  Global Sourcing Solution
-  Obsolete Management
-  Cost Control Management
-  Shortage Management
-  Alternative Solution
-  Excess Inventory Management