



**THE DATASHEET OF
SDF-V25-213L051**



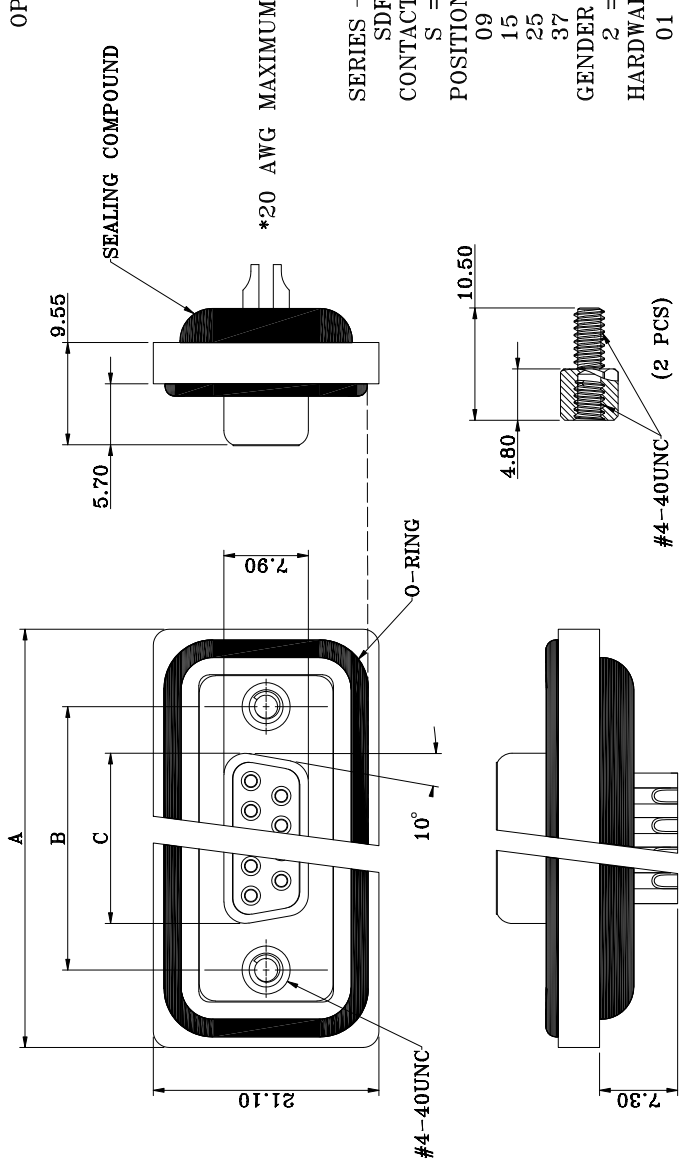
DESCRIPTION: DSUB IP67 FLANGE // FEMALE // STANDARD // SOLDER CUP

DIMENSIONS(mm)			
SIZE	A	B	C
9	39.50	25.00	16.30
15	48.00	33.30	24.60
25	61.50	47.05	38.40
37	77.80	63.50	54.80

NOTE:

MATERIAL
HOUSING
FLANGE
CONTACT
SHELL
O-RING
SEALING COMPOUND
HARDWARE

ELECTRICAL
RATED CURRENT
VOLTAGE
INSULATOR RESISTANCE
CONTACT RESISTANCE
WATER PROOF
ENVIRONMENT
OPERATION TEMPERATURE



SD

SERIES _____ SDF = STANDARD DSUB FLANGE
CONTACT TYPE _____ S = SOLDER CUP
POSITIONS _____
09
15
25
37
GENDER _____
2 = FEMALE
HARDWARE OPTIONS _____
01 = 4-40 THREADED INSERT
CONTACT PLATING OPTIONS _____
1 = GOLD FLASH
2 = 30u" GOLD PLATING

ROHS COMPLIANT

UNITS = mm

DO NOT S



THESE DRAWINGS AND SPECIFICATIONS ARE THE PROPERTY OF NorComp AND SHALL NOT BE REPRODUCED, COPIED OR USED AS THE BASIS FOR THE MANUFACTURE OR SALE OF APPARATUS WITHOUT WRITTEN PERMISSION.

DRAWN:

J. KADEL

DATE:

03/02/2020

TOLERANCES

X. ±0.40
.X ±0.30
.XX ±0.20
.XXX ±0.10

SCALE:

NTS

DWG NO.

NorComp

Looking for pricing, stock, or lifecycle information?

Click below to explore more details on WIN SOURCE:

 [View SDF-V25-213L051 on WIN SOURCE](#)

 [NorComp Inc. Information](#)

Optimize Your Supply Chain with WIN SOURCE Solutions

-  Global Sourcing Solution
-  Obsolete Management
-  Cost Control Management
-  Shortage Management
-  Alternative Solution
-  Excess Inventory Management