



**THE DATASHEET OF  
QBLP1515B-RGBA**



**QT-Brightek PLCC Series**

**PLCC4 RGB LED**

**Part No.: QBLP1515B-RGBA**

Product: QBLP1515B-RGBA	Date: December 11, 2020	Page 1 of 10
	Version# 1.3	

---

**Table of Contents:**

Introduction .....	3
Electrical / Optical Characteristic ( $T_A=25\text{ }^\circ\text{C}$ ).....	4
Absolute Maximum Rating .....	4
Solder Profile & Footprint.....	7
Packing .....	8
Ordering Information .....	9
Revision History .....	10
Disclaimer .....	10

## Introduction

**Feature:**

- Diffused lens
- Package in tape and reel
- Ultra bright PLCC4 RGB LED
- Common Anode
- InGaN technology for IB/IG
- AlInGaP technology for R
- 120 degree viewing angle
- Black Housing

**Application:**

- Status indication
- Back lighting application
- Architecture lighting

**Certification & Compliance:**

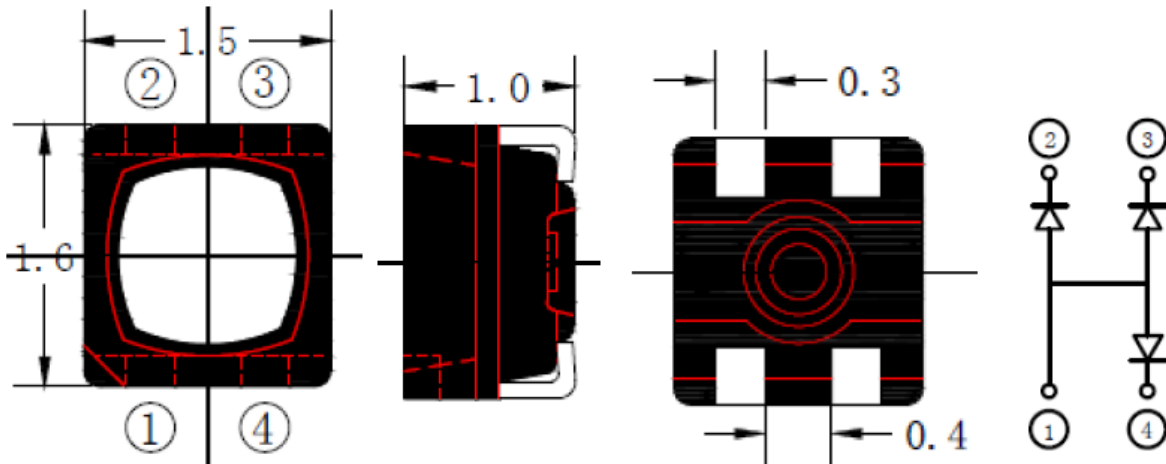
- TS16949
- ISO9001
- RoHS Compliant

**Description:**

This PLCC4 RGB LEDs have a height profile of 1.00mm. Combination of high brightness output and robust package, this LED is ideal for architecture lighting, status indication, and color mixing applications.



**Dimension:**



①	Common Anode
②	Cathode (Blue)
③	Cathode (Green)
④	Cathode (Red)

Units: mm / tolerance = +/-0.2mm

### Electrical / Optical Characteristic (T<sub>A</sub>=25 °C)

Product	Color	I <sub>F</sub> (mA)	V <sub>F</sub> (V)		λ <sub>D</sub> (nm)			I <sub>V</sub> (mcd)	
			Typ.	Max.	Min.	Typ.	Max.	Min.	Typ.
QBLP1515B-RGBA	Red	10	2.0	2.45	612	622	627	92	150
	True Green	10	2.9	3.3	516	523	531	215	410
	Blue	10	3.0	3.3	460	467	475	50	77

### Absolute Maximum Rating

Material	P <sub>d</sub> (mW)	I <sub>F</sub> (mA)	I <sub>FP</sub> (mA)*	V <sub>R</sub> (V)	T <sub>OP</sub> (°C)	T <sub>ST</sub> (°C)	T <sub>SOL</sub> (°C)**
InGaN ( IB/IG )	55	15	60	5	-30 to +85	-40 to +85	260
AllnGaP ( R )	32	15	60	5	-30 to +85	-40 to +85	260

\*Duty 1/10 @ 10KHz

\*\* IR Reflow for no more than 10 sec @ 260 °C

### Luminous Intensity I<sub>V</sub> for Red @ I<sub>F</sub>=10mA

Bin	Min.	Max.	Unit
19	92	120	mcd
20	120	156	
21	156	200	
22	200	260	

### Luminous Intensity I<sub>V</sub> for True Green @ I<sub>F</sub>=10mA

Bin	Min.	Max.	Unit
22	215	280	mcd
23	280	365	
24	365	470	
25	470	610	

### Luminous Intensity I<sub>V</sub> for Blue @ I<sub>F</sub>=10mA

Bin	Min.	Max.	Unit
17	50	65	mcd
18	65	85	
19	85	110	
20	110	143	

**Dominant Wavelength  $\lambda_D$  for Red @  $I_F=10\text{mA}$** 

Bin	Min.	Max.	Unit
A5	612	617	nm
R1	617	622	
R2	622	627	

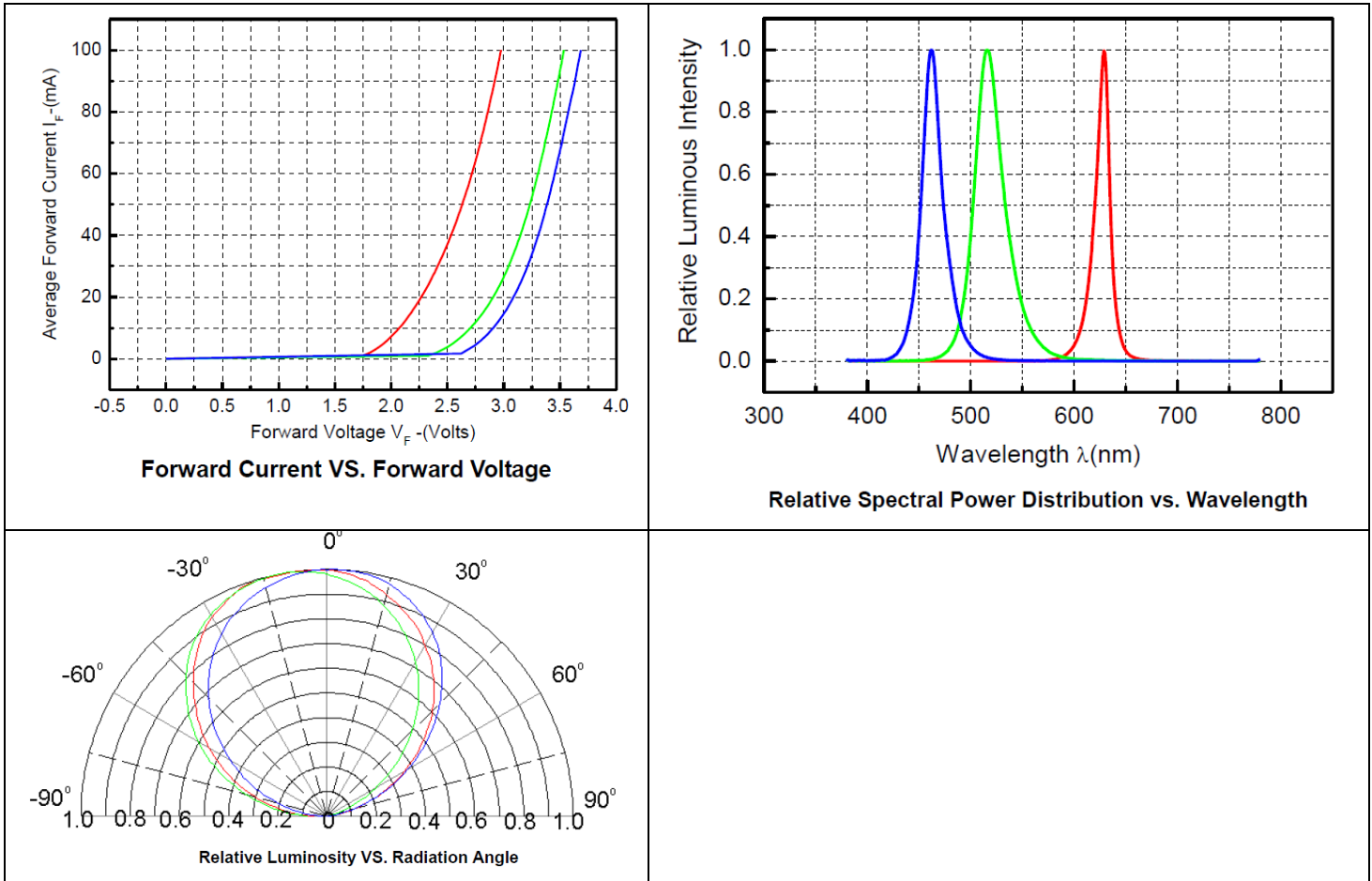
**Dominant Wavelength  $\lambda_D$  for True Green @  $I_F=10\text{mA}$** 

Bin	Min.	Max.	Unit
TG1	516	521	nm
TG2	521	526	
TG3	526	531	

**Dominant Wavelength  $\lambda_D$  for Blue @  $I_F=10\text{mA}$** 

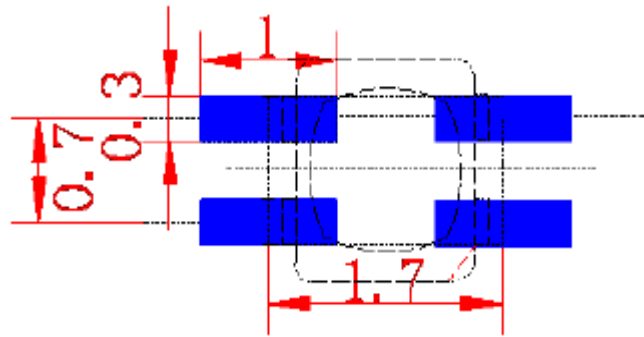
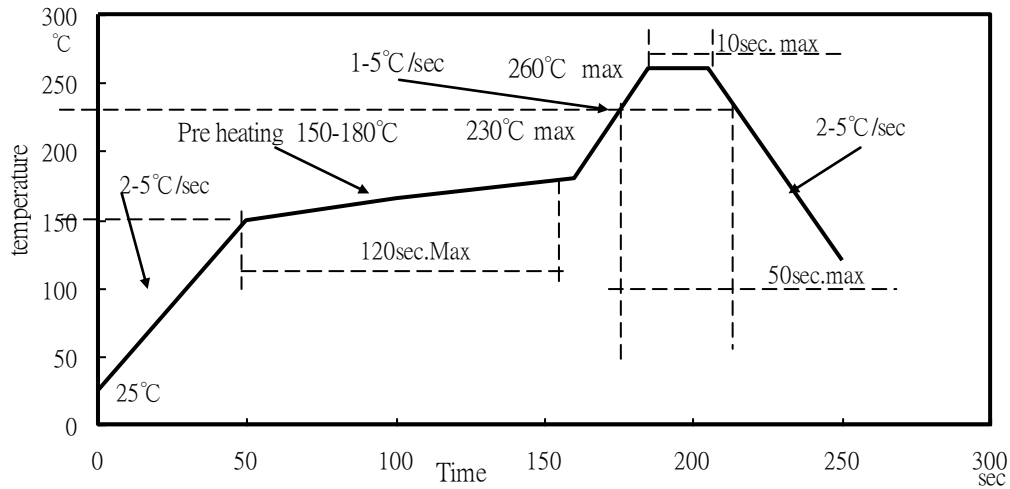
Bin	Min.	Max.	Unit
B5	460	465	nm
B6	465	470	
B7	470	475	

### Characteristic Curves



## Solder Profile & Footprint

-The recommended reflow soldering profile is as follows (temperatures indicated are as measured on the surface of the LED resin):



( Proposed Solder footprint )

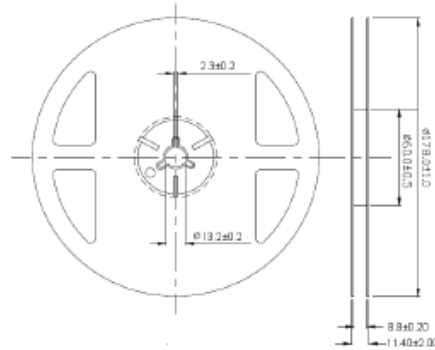
Units: mm

tolerance: +/- 0.2mm

Product: QBLP1515B-RGBA	Date: December 11, 2020	Page 7 of 10
	Version# 1.3	

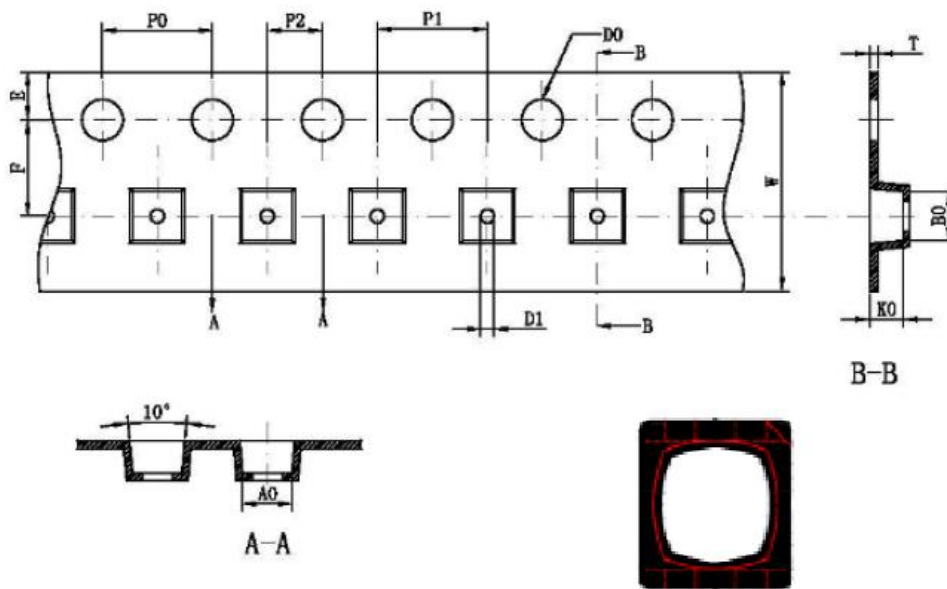
## Packing

Reel Dimension:



Unit: mm

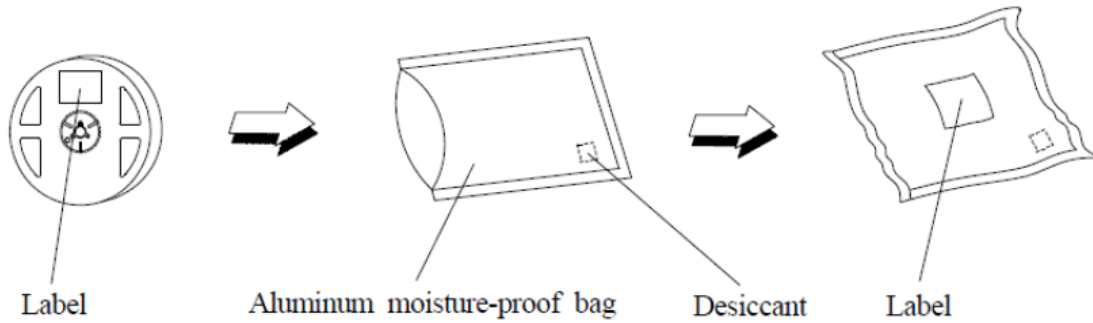
Tape Dimension:



Symbol	A0	B0	K0	P0	P1	P2
Spec	1.8±0.1	1.85±0.1	1.20±0.1	4±0.1	4±0.1	2±0.1
Symbol	W	T	E	F	D0	D1
Spec	8±0.3	0.25±0.05	1.75±0.1	3.5±0.1	φ1.5 <sup>+0.1</sup> <sub>0</sub>	φ0.5 <sup>+0.1</sup> <sub>0</sub>

Unit: mm

## Packaging Specification:



## Labeling



Part No: \_\_\_\_\_

Customer P/N: \_\_\_\_\_

Item: \_\_\_\_\_

Q'ty: \_\_\_\_\_

Vf: \_\_\_\_\_

Iv: \_\_\_\_\_

VI: \_\_\_\_\_

Date: \_\_\_\_\_

**Made in China**

## Ordering Information

Part #	Orderable Part #	Spec Range	Quantity per reel
QBLP1515B-RGBA	QBLP1515B-RGBA	Red: 150mcd Typ. @ I <sub>F</sub> =10mA / Color: 612nm to 627nm	3,500 units
		True Green: 410mcd Typ. @ I <sub>F</sub> =10mA / Color: 516nm to 531nm	
		Blue: 77mcd Typ. @ I <sub>F</sub> =10mA / Color: 460nm to 475nm	

---

## Revision History

Description:	Revision #	Revision Date
New Release of QBLP1515B-RGBA	V1.0	11/19/2015
Amend the brightness of RGB	V1.1	03/15/2016
Update packing spec to 3500pcs per reel	V1.2	12/11/2017
Update brightness binning	V1.3	12/11/2020



## Disclaimer

QT-BRIGHTTEK reserves the right to make changes without further notice to any products herein to improve reliability, function or design. QT-BRIGHTTEK does not assume any liability arising out of the application or use of any product or circuit described herein; neither does it convey any license under its patent rights, nor the rights of others.

## Life Support Policy

QT-BRIGHTTEK's products are not authorized for use as critical components in life support devices or systems without the express written approval of QT-BRIGHTTEK. As used herein:

1. Life support devices or systems are devices or systems which, (a) are intended for surgical implant into the body, or (b) support or sustain life, and (c) whose failure to perform when properly used in accordance with instructions for use provided in the labeling, can be reasonably expected to result in a significant injury of the user.
2. A critical component in any component of a life support device or system whose failure to perform can be reasonably expected to cause the failure of the life support device or system, or to affect its safety or effectiveness.

## Looking for pricing, stock, or lifecycle information?

Click below to explore more details on WIN SOURCE:

- [View QBLP1515B-RGBA on WIN SOURCE](#)
- [QT Brightek \(QTB\) Information](#)

## Optimize Your Supply Chain with WIN SOURCE Solutions

- ✓ Global Sourcing Solution
- ✓ Obsolete Management
- ✓ Cost Control Management
- ✓ Shortage Management
- ✓ Alternative Solution
- ✓ Excess Inventory Management