



**THE DATASHEET OF  
EAISV3024A0**



### Technical Data Sheet

### 1.6mm round Subminiature Side Looking Infrared LED

### EAISV3024A0

#### Features

- Small double-end package
- Low forward voltage
- Good spectral matching to Si photo detector
- Package in 8mm tape on 7" diameter reel.
- Pb free
- The product itself will remain within RoHS compliant version.

#### Description

- EAISV3024A0 is an infrared emitting diode in miniature SMD package which is molded in a water clear plastic with spherical top view lens. The device is spectrally matched with silicon photodiode and phototransistor

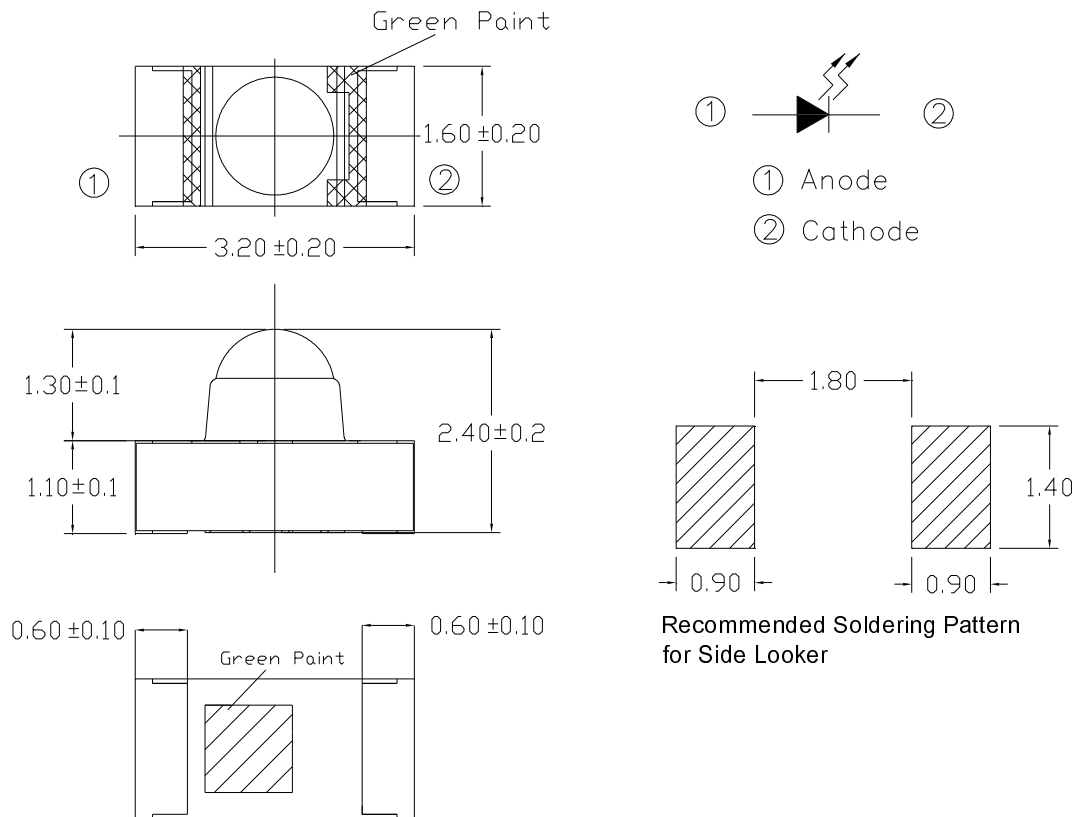
#### Applications

- Infrared applied system

#### Device Selection Guide

LED Part No.	Chip	Lens Color
	Material	
EAISV3024A0	GaAlAs	Water Clear

### Package Dimensions



- Notes: 1. All dimensions are in millimeters  
2. Tolerances unless dimensions  $\pm 0.1$ mm

### Absolute Maximum Ratings ( $T_a=25^\circ\text{C}$ )

Parameter	Symbol	Rating	Unit
Continuous Forward Current	$I_F$	65	mA
Reverse Voltage	$V_R$	5	V
Operating Temperature	$T_{opr}$	-40 ~ +85	$^\circ\text{C}$
Storage Temperature	$T_{stg}$	-40 ~ +100	$^\circ\text{C}$
Soldering Temperature *2	$T_{sol}$	260	$^\circ\text{C}$
Power Dissipation at(or below) 25 $^\circ\text{C}$ Free Air Temperature	$P_d$	100	mW

Notes: \*1: Soldering time  $\leq 5$  seconds..

**Electro-Optical Characteristics (Ta=25°C)**

Parameter	Symbol	Min.	Typ.	Max.	Unit	Condition
Radiant Intensity	I <sub>e</sub>	2.0	4.5	--	mW /sr	I <sub>F</sub> =20mA
		--	22	--		I <sub>F</sub> =100mA Pulse Width ≤ 100 μs ,Duty ≤ 1%
Peak Wavelength	λ <sub>p</sub>	--	940	--	nm	I <sub>F</sub> =20mA
Spectral Bandwidth	Δλ	--	30	--	nm	I <sub>F</sub> =20mA
Forward Voltage	V <sub>F</sub>	--	1.25	1.5	V	I <sub>F</sub> =20mA
		--	1.4	1.8		I <sub>F</sub> =100mA Pulse Width ≤ 100 μs ,Duty ≤ 1%
Reverse Current	I <sub>R</sub>	--	--	10	μA	V <sub>R</sub> =5V
View Angle	2θ <sub>1/2</sub>	--	45	--	deg	I <sub>F</sub> =20mA

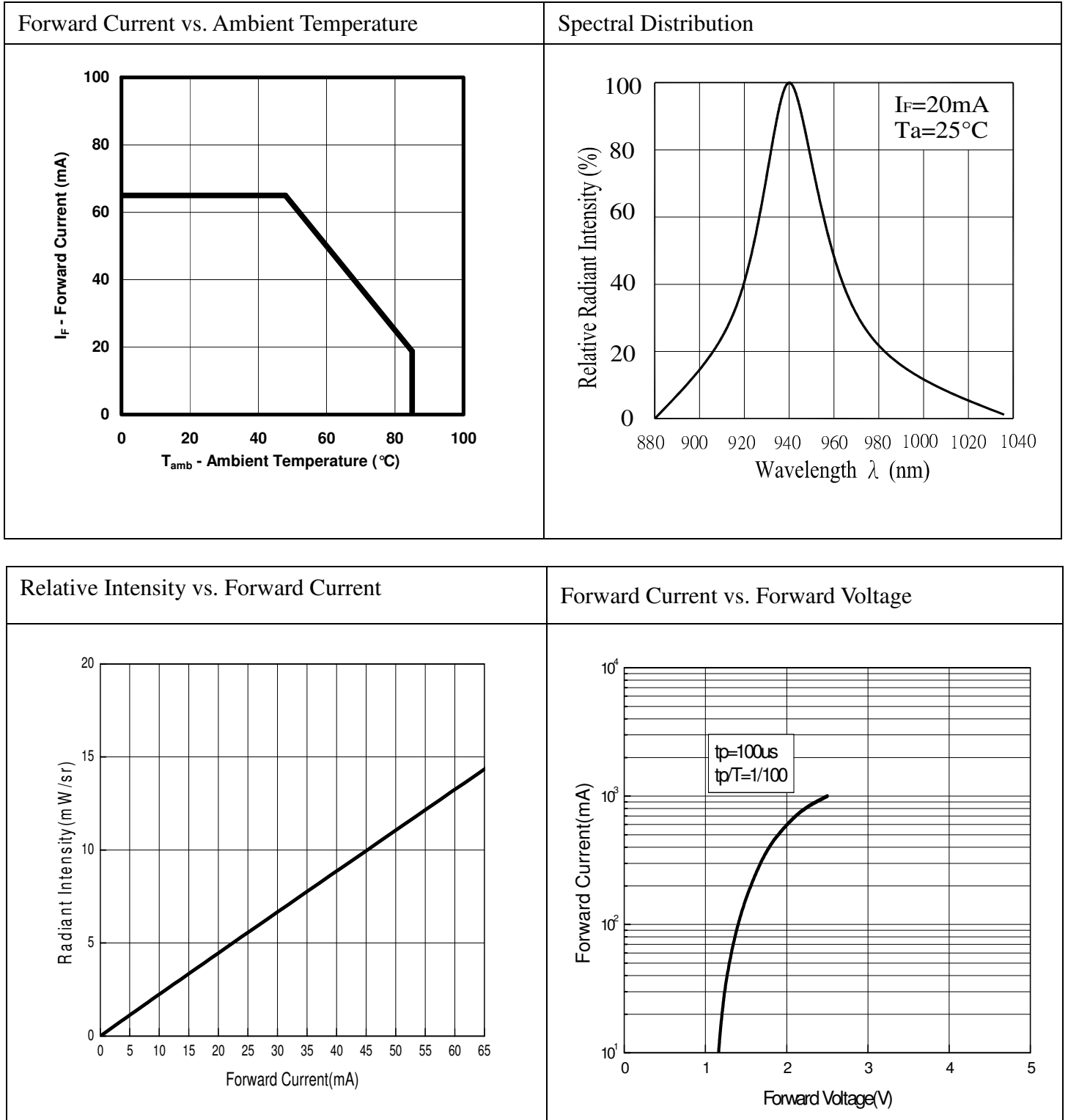
**I<sub>e</sub> Rank**

Condition : I<sub>F</sub>=20mA

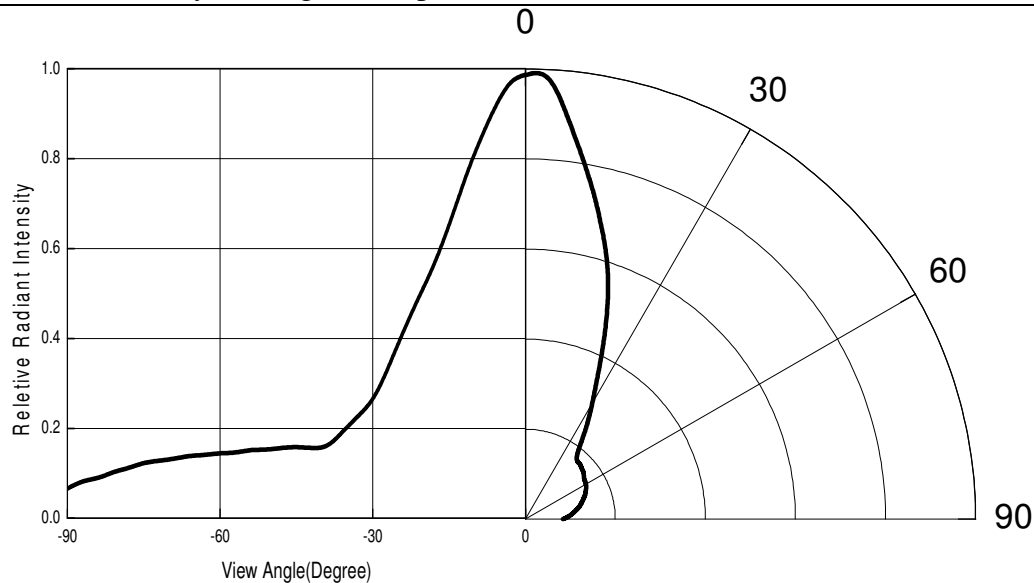
Unit : mW/sr

Bin Number	H	J	K	L
Min	2.0	3.0	4.0	5.0
Max	3.5	4.5	6.0	--

**Typical Electrical/Optical/Characteristics Curves for IR**



Relative Radiant Intensity vs. Angular Displacement



## Precautions For Use

### 1. Over-current-proof

Customer must apply resistors for protection , otherwise slight voltage shift will cause big current change ( Burn out will happen ).

### 2. Storage

2.1 Do not open moisture proof bag before the products are ready to use.

2.2 Before opening the package, the LEDs should be kept at 30°C or less and 90%RH or less.

2.3 The LEDs should be used within a year.

2.4 After opening the package, the LEDs should be kept at 30°C or less and 70%RH or less.

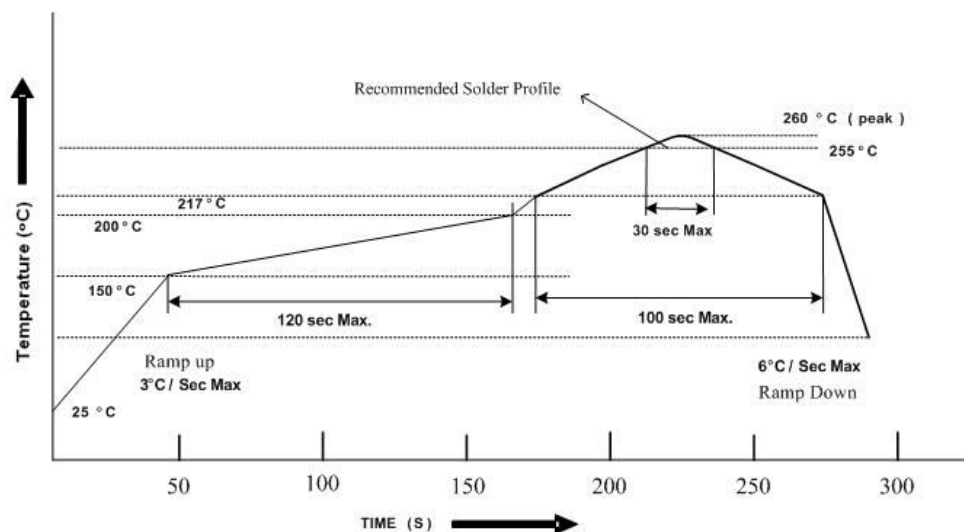
2.5 The LEDs should be used within 72 hours (3 days) after opening the package

2.6 If the moisture absorbent material (silica gel) has faded away or the LEDs have exceeded the storage time, baking treatment should be performed using the following conditions.

Baking treatment : 60±5°C for Min. 24 hours.

### 3. Soldering Condition

#### 3.1 Pb-free solder temperature profile



3.2 Reflow soldering should not be done more than two times.

3.3 When soldering, do not put stress on the LEDs during heating.

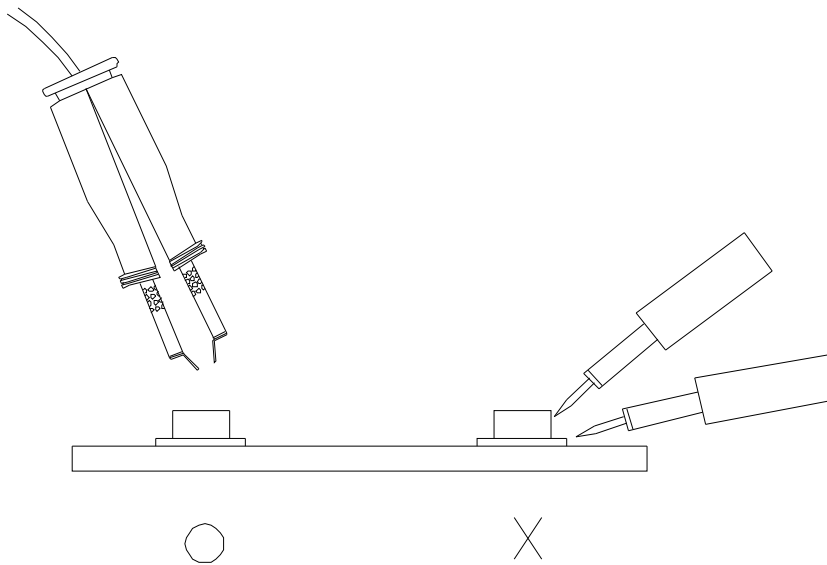
3.4 After soldering, do not warp the circuit board.

#### 4. Soldering Iron

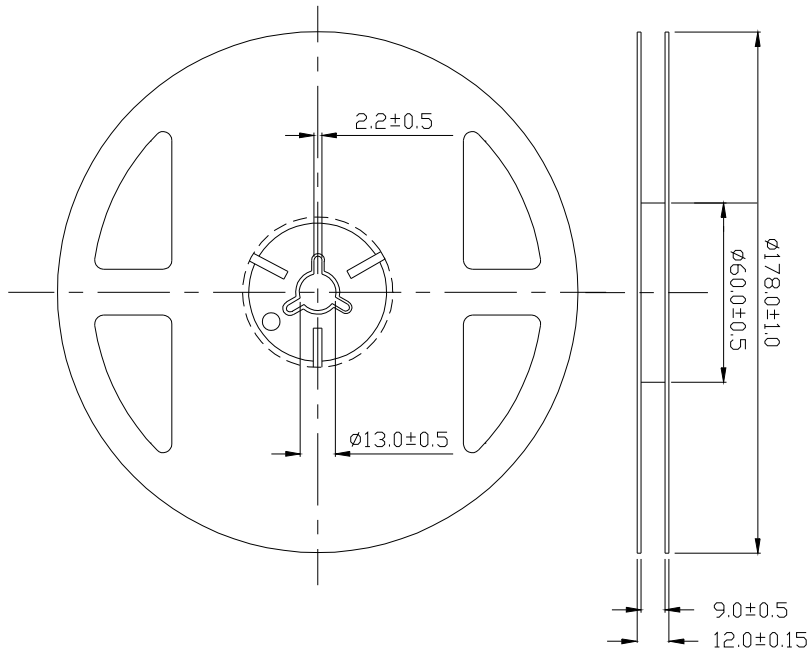
Each terminal is to go to the tip of soldering iron temperature less than 350°C for 3 seconds within once in less than the soldering iron capacity 25W. Leave two seconds and more intervals, and do soldering of each terminal. Be careful because the damage of the product is often started at the time of the hand solder.

#### 5. Repairing

Repair should not be done after the LEDs have been soldered. When repairing is unavoidable, a double-head soldering iron should be used (as below figure). It should be confirmed beforehand whether the characteristics of the LEDs will or will not be damaged by repairing.

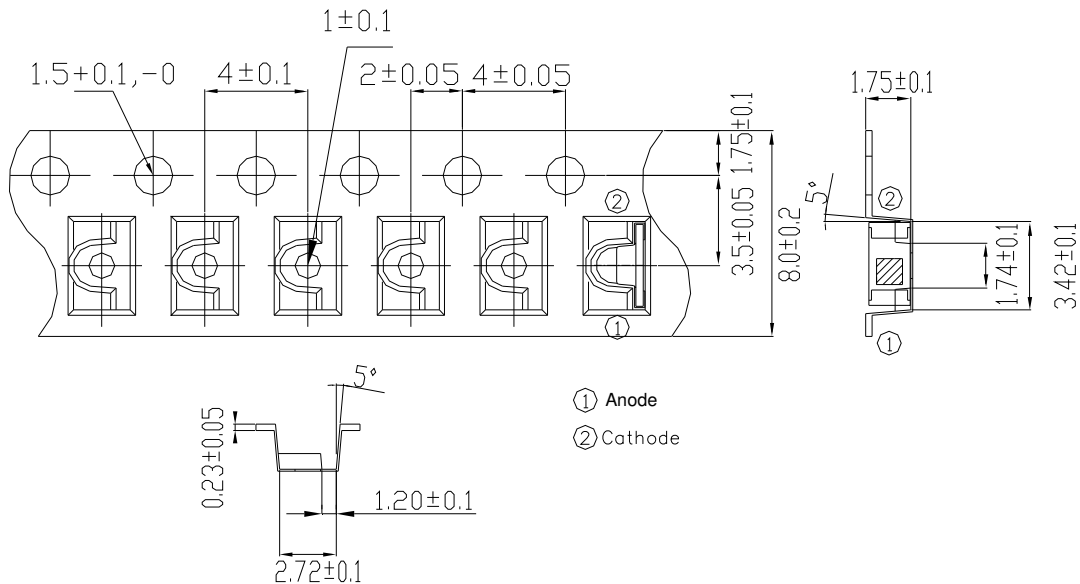


## Package Dimensions



**Note:** The tolerances unless mentioned is  $\pm 0.1$ mm ,Unit = mm

## Carrier Tape Dimensions:(Quantity: 1500pcs/reel)



**Note:** The tolerances unless mentioned is  $\pm 0.1$ mm ,Unit = mm



## Looking for pricing, stock, or lifecycle information?

Click below to explore more details on WIN SOURCE:

- ⊖ [View EAISV3024A0 on WIN SOURCE](#)
- ⊖ [Everlight Electronics Co Ltd Information](#)

## Optimize Your Supply Chain with WIN SOURCE Solutions

- ✓ Global Sourcing Solution
- ✓ Obsolete Management
- ✓ Cost Control Management
- ✓ Shortage Management
- ✓ Alternative Solution
- ✓ Excess Inventory Management