



**THE DATASHEET OF
CYFL135-001**





CYFL135-001 FSK-PUP Flash Programming Tool

Last Updated: Sep 25, 2015

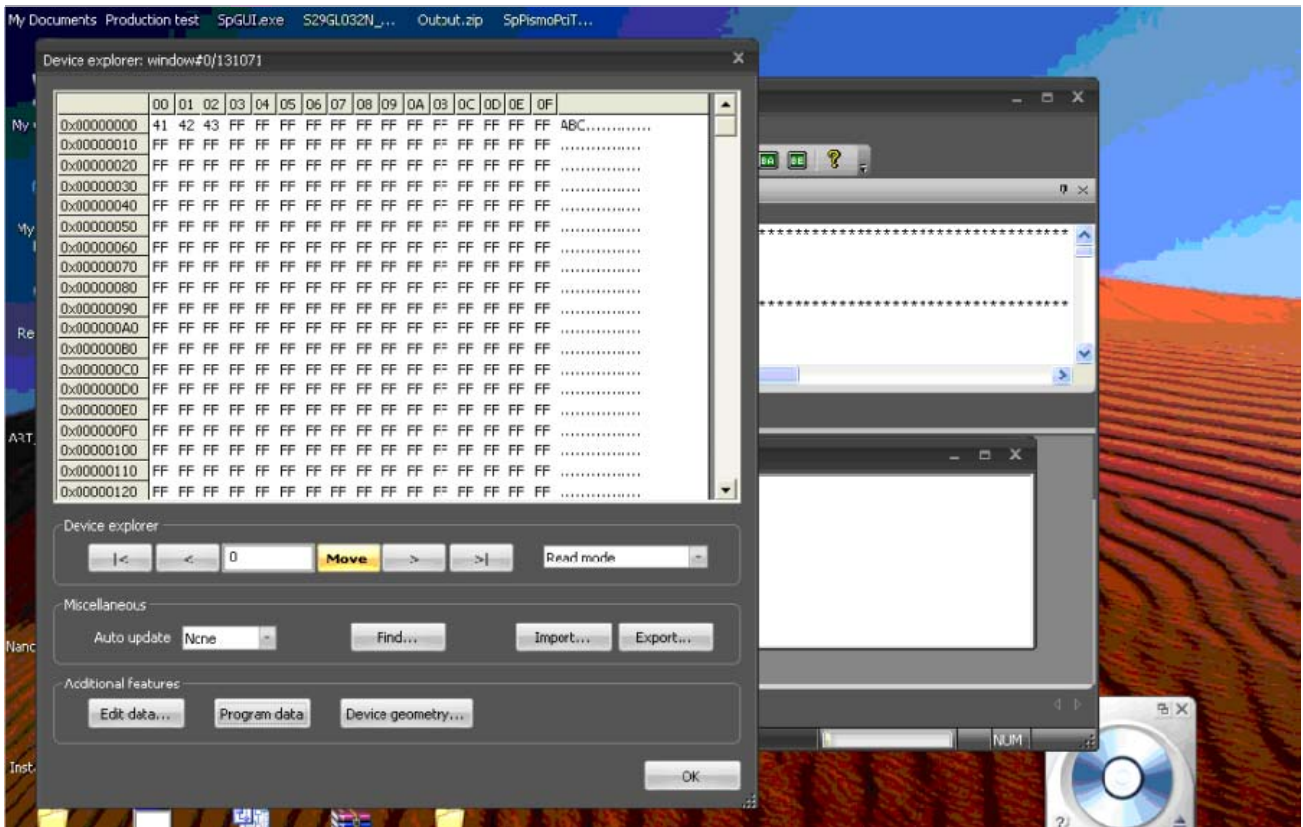
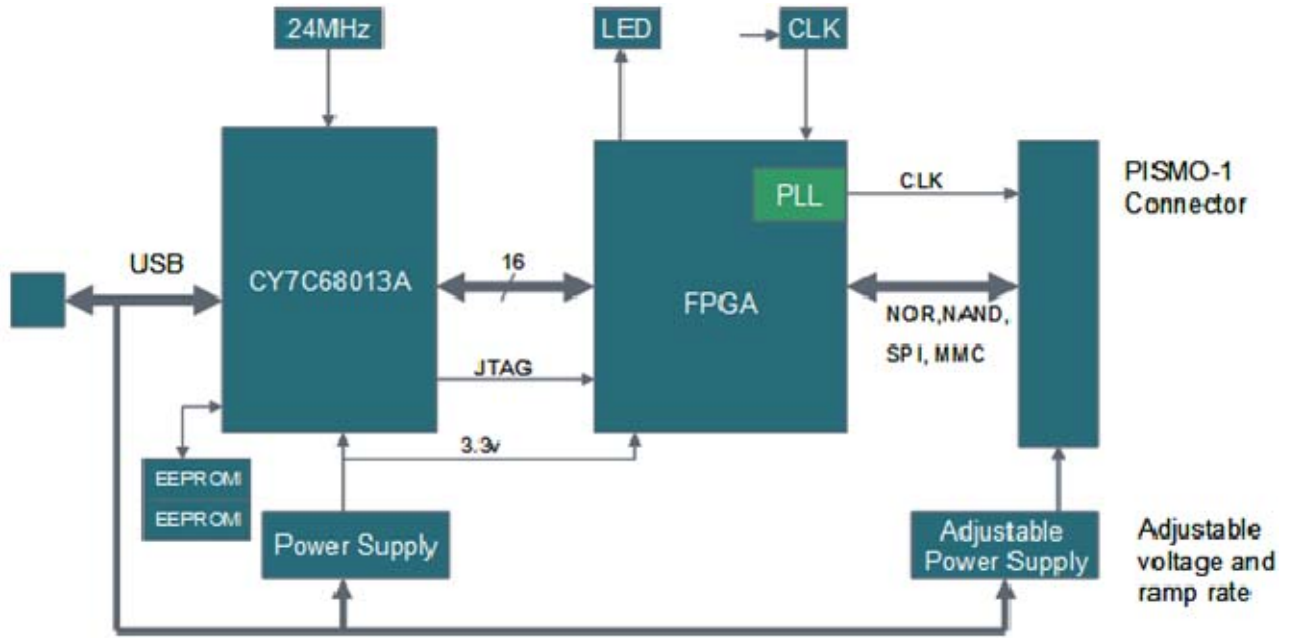
FSK-PUP (Flash Starter Kit – PISMO USB Programmer) is an advanced portable development tool that provides features including Read, Program, Erase, Burst Read, and Scripting of Cypress flash memories.



FSK-PUP (Flash Starter Kit – PISMO USB Programmer) is an advanced portable development tool that provides features including Read, Program, Erase, Burst Read, and Scripting of Cypress flash memories.

Features

- USB2.0 interface to PC, bus power.
- PISMO-1 Memory interface
- NOR, NAND, and QSPI supported
- Adjustable VCC, VIO and power ramp control
- Software is supported by “Flash Explorer” GUI



Looking for pricing, stock, or lifecycle information?

Click below to explore more details on WIN SOURCE:

 [View CYFL135-001 on WIN SOURCE](#)

 [Infineon Technologies](#) Information

Optimize Your Supply Chain with WIN SOURCE Solutions

-  Global Sourcing Solution
-  Obsolete Management
-  Cost Control Management
-  Shortage Management
-  Alternative Solution
-  Excess Inventory Management