



THE DATASHEET OF CY3210-SDCARD



Support and More Resources

CY3215-DK Development Kit (Emulator)

For simple programming, a MiniProg is included in the CY3210-SDCARD kit. For full emulation you can attach an ICE-Cube to the PsoCEval1 board. (The ICE-Cube is available in the CY3215-DK.)



ICE-Cube
(available in CY3215-DK)

The CY3215-DK Development Kit also includes an emulation POD for CY8C29XXX devices.

Powering the Board (9-12V)

The PsoCEval1 board can be powered by any of the following methods:

1. Included 12V power supply.
2. PSoC ICE-Cube: not to exceed 100 mA (3.3V only).
3. 9V battery.

WARNING: JUMPER JP3 MUST BE INSTALLED TO PROVIDE ONLY 3.3V TO THE SD CARD ADAPTER. FAILING TO INSTALL THIS JUMPER WILL LIKELY DAMAGE THE SD CARD.

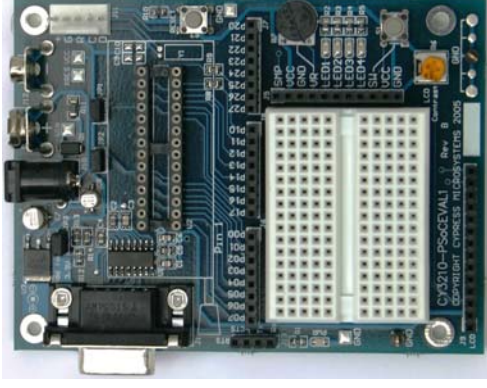


SD Card M
CY3210-SD

Quick Start

1. Verify Kit Contents
2. Install PSoC™
3. Install PSoC™
4. Assemble EV
5. Run Example

Step 1: Verify Kit Conte



PSoCEval1 Board

- C
 - S
 - S
 - U
 - M
 - U
 - 12
 - O
 - P
 - C
 - E
- ** O
curr
Mod



USB Cable



**MiniProg
Programming
Unit**



**SD Card
Adapter**



**SD Card
Reader**



CYPRESS
PERFORM

Web: www.cypress.com
Support: www.cypress.com/support/
US: 800.669.0557 Int: 425.787.4814

Step 2 & 3: Install Software

Install PSoC Designer and then PSoC Programmer from the included CD-ROM. For assistance refer to *PSoC Designer: Integrated Development Environment User Guide*, available on the CD-ROM.

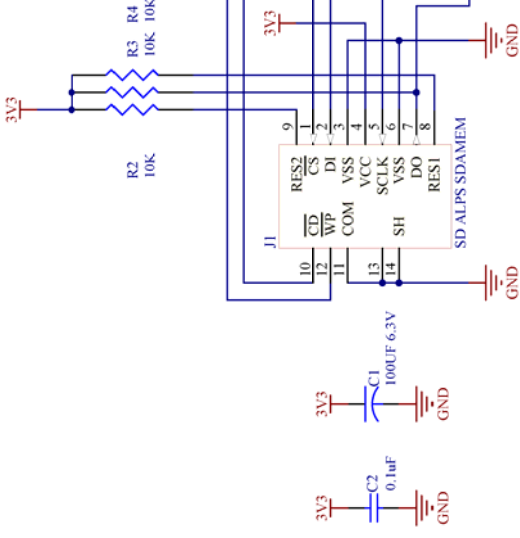
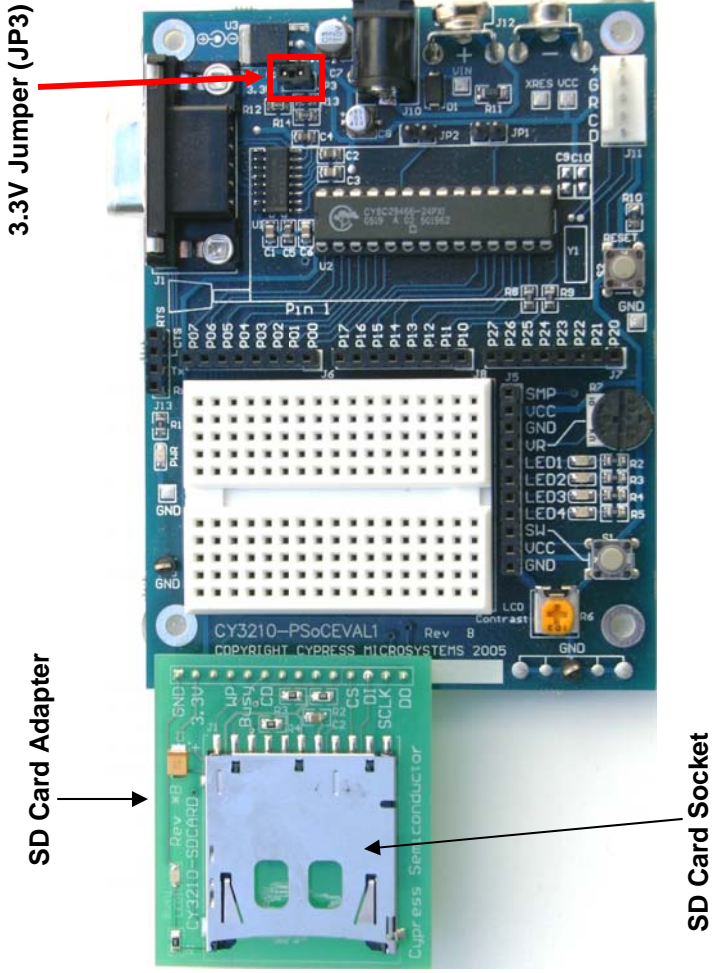
Download the latest version and updates of PSoC Designer and PSoC Programmer at www.cypress.com/psoc (Design Resources >> Software & Drivers).

Step 4: Assemble Evaluation Board

Step 5: Run Example Project

Example projects can be run from PSoC Designer
C:\ProgramFiles\CypressMicroSystems\PSoC
example projects are also available at www.cypress.com
any readme.txt files associated with the example
Designer.

CY3210-SDCARD Adap



Jumpers:
JP3 – **MUST BE INSTALLED FOR 3.3V OPERATION OF THE SD CARD ADAPTER.**

Looking for pricing, stock, or lifecycle information?

Click below to explore more details on WIN SOURCE:

- ⊖ [View CY3210-SDCARD on WIN SOURCE](#)
- ⊖ [Infineon Technologies](#) Information

Optimize Your Supply Chain with WIN SOURCE Solutions

- ✓ Global Sourcing Solution
- ✓ Obsolete Management
- ✓ Cost Control Management
- ✓ Shortage Management
- ✓ Alternative Solution
- ✓ Excess Inventory Management