



**THE DATASHEET OF  
CYW920719Q40EVB-01**





**Please note that Cypress is an Infineon Technologies Company.**

The document following this cover page is marked as “Cypress” document as this is the company that originally developed the product. Please note that Infineon will continue to offer the product to new and existing customers as part of the Infineon product portfolio.

**Continuity of document content**

The fact that Infineon offers the following product as part of the Infineon product portfolio does not lead to any changes to this document. Future revisions will occur when appropriate, and any changes will be set out on the document history page.

**Continuity of ordering part numbers**

Infineon continues to support existing part numbers. Please continue to use the ordering part numbers listed in the datasheet for ordering.



WICED Studio



# CYW920719Q40EVB-01 Evaluation Board User Guide

Associated Part Family: CYW20719

Doc. No.: 002-22816 Rev. \*B

Cypress Semiconductor  
198 Champion Court  
San Jose, CA 95134-1709  
[www.cypress.com](http://www.cypress.com)

# Contents


<b>Safety Information.....</b>	<b>4</b>
General Safety Instructions .....	4
ESD Protection.....	4
Handling Boards.....	4
<b>1 Introduction.....</b>	<b>5</b>
1.1 CYW920719Q40EVB-01 EVB Contents .....	5
1.2 CYW920719Q40EVB-01 Board Details .....	6
1.3 WICED Studio Development System .....	6
1.4 Getting Started.....	6
1.5 IOT Resources and Technical Support .....	7
1.6 Additional Learning Resources.....	7
1.7 Document Conventions .....	7
1.8 Acronyms.....	8
<b>2 WICED Studio.....</b>	<b>10</b>
2.1 Before You Begin.....	10
2.2 WICED Studio Overview .....	10
2.3 Hardware and Software Requirements .....	10
2.4 Development Process.....	10
2.5 Setting up WICED Studio.....	10
2.5.1 Install WICED Studio.....	11
2.5.1.1 Windows.....	11
2.5.1.2 Linux.....	11
2.5.1.3 Mac OS X.....	11
2.5.2 Connect the WICED Evaluation Board .....	12
2.5.3 Verify Driver Installation.....	13
2.5.3.1 Windows.....	13
2.5.3.2 Linux.....	13
2.5.3.3 Mac OS X.....	13
2.6 Using the WICED Studio IDE.....	14
2.6.1 WICED Studio IDE UI .....	14
2.6.2 WICED Studio SDK Directory Structure .....	15
2.6.3 WICED Studio Code Examples .....	15
2.6.4 Build and Load a Sample Application .....	17
2.6.5 Hello Client Peer Application.....	18
2.6.6 Testing the Hello Sensor Application.....	19
2.6.6.1 Hello Sensor Application Structure.....	19
2.6.6.2 Hello Sensor Application Test Procedure.....	19
2.6.6.2.1 Hello Input Characteristic.....	19
2.6.6.2.2 Hello Configuration Characteristic.....	19
2.6.7 Viewing Application Trace Messages.....	20
2.6.7.1 Routing Trace Messages.....	20
2.6.7.2 View Traces Using a Terminal Emulation Program.....	21
2.6.7.3 View Traces Using the BT Spy Windows Application .....	21
<b>3 Kit Operation.....</b>	<b>23</b>
3.1 Theory of Operation .....	23
3.2 Jumpers.....	27
3.3 Buttons and Switches .....	29
3.4 Arduino-Compatible Headers.....	29

3.5	Other Headers.....	31
3.6	USB Serial interface Chip.....	32
3.7	Kit Power Supply.....	32
3.8	Test Points.....	32
3.9	Current Measurement.....	32
3.10	SWD Debugging.....	32
3.11	Pin Configuration.....	32
<b>4</b>	<b>Code Examples.....</b>	<b>34</b>
4.1	Thermostat.....	34
4.1.1	Project Description.....	34
4.1.2	Hardware Connections.....	34
4.1.3	Flow Chart.....	35
4.1.4	Verify Output.....	36
<b>5</b>	<b>Hardware.....</b>	<b>37</b>
5.1	Carrier Module.....	37
5.1.1	CYW20719.....	37
5.1.2	Antenna.....	37
5.1.3	Crystal.....	37
5.2	Base Board.....	38
5.3	Serial Communication between CYW20719 and FTDI USB-Serial Device.....	38
5.4	Power.....	38
5.5	RESET.....	41
5.6	Thermistor.....	42
5.7	Motion Sensor.....	42
5.8	LED.....	44
5.9	Push Buttons.....	44
5.10	Shared Pins.....	45
<b>Appendix A</b>	<b>CYW 20719 Device IO Mapping.....</b>	<b>46</b>
	<b>Document Revision History.....</b>	<b>49</b>

## Safety Information

The CYW920719Q40EVB-01 Evaluation Board (EVB) is intended for use as a development platform for hardware or software in a laboratory environment. The board is an open-system design, which does not include a shielded enclosure. Due to this reason, the board may cause interference to other electrical or electronic devices in close proximity. In a domestic environment, this product may cause radio interference. In such cases, take adequate preventive measures. Also, do not use this board near any medical equipment or RF devices.

Attaching additional wiring to this product or modifying the product operation from the factory default may affect its performance and cause interference with other apparatus in the immediate vicinity. If such interference is detected, suitable mitigating measures must be taken.

	CYW920719Q40EVB-01 contains electrostatic discharge (ESD)-sensitive devices. Electrostatic charges readily accumulate on the human body and any equipment, and can discharge without detection. Permanent damage may occur on devices subjected to high-energy discharges. Proper ESD precautions are recommended to avoid performance degradation or loss of functionality. Store unused CYW920719Q40EVB-01 in the protective shipping package.
---	--

	<b>End-of-Life/Product Recycling</b> This kit has an end-of-life cycle of five years from the year of manufacturing mentioned on the back of the box. Contact your nearest recycler for discarding the kit.
---	--

## General Safety Instructions

### ESD Protection

ESD can damage boards and associated components. Cypress recommends that you perform procedures only at an ESD workstation. If an ESD workstation is not available, use appropriate ESD protection by wearing an antistatic wrist strap attached to the chassis ground (any unpainted metal surface) on the board when handling parts.

### Handling Boards

CYW920719Q40EVB-01 boards are sensitive to ESD. Hold the board only by its edges. After removing the board from its box, place it on a grounded, static-free surface. Use a conductive foam pad if available. Do not slide the board over any surface. Any physical action on CYW920719Q40EVB-01 such as changing wires, jumper settings, or measuring voltages can cause stress on the CYW920719Q40EVB-01 printed circuit board assembly (PCBA). You must ensure that the PCBA has proper support on the bottom side to avoid stress on the PCBA when the EVB is in operation.

# 1 Introduction

Thank you for your interest in the CYW920719Q40EVB-01 Evaluation Board (EVB). The CYW920719Q40EVB-01 EVB enables customers to evaluate and develop single-chip Bluetooth and Bluetooth Low Energy (BLE) applications using the CYW20719 Bluetooth 5.0 and BLE wireless MCU.

The CYW920719Q40EVB-01 EVB can be used with WICED™ Studio to develop and debug your CYW20719 project. The CYW920719Q40EVB-01 EVB offers footprint-compatibility with Arduino shields. In addition, the kit features an onboard programmer/debugger and serial bridge chip. The CYW920719Q40EVB-01 EVB supports 1.8 V and 3.3 V operation.

WICED Studio supports application development using a WICED development board (CYW920719Q40EVB-01). The development system is compatible with Windows, OS X, and Linux operating systems. This document provides instructions for developing sample applications using WICED Studio.

**Note:** This document applies to WICED Studio 6.1 (or later).

The CYW920719Q40EVB-01 EVB is available through the [Cypress Online Store](#) or through our distributors.

## 1.1 CYW920719Q40EVB-01 EVB Contents

The CYW920719Q40EVB-01 EVB includes the following:

- One CYW920719Q40EVB-01 evaluation board
- One USB 2.0 Type-A to Micro-B cable
- One Quick Start Guide



Figure 1-1. CYW920719Q40EVB-01 Kit Contents

Inspect the kit contents. If you find any part missing, contact your nearest Cypress sales office for assistance [www.cypress.com/support](http://www.cypress.com/support).

## 1.2 CYW920719Q40EVB-01 Board Details

Figure 1-2 shows CYW920719Q40EVB-01 with the following features:

1. CYW20719 module with onboard antenna
2. Expansion headers that are compatible with Arduino shields
3. Support for 1.8 V and 3.3 V operation of the CYW20719 device
4. Two user-controlled LEDs, one push button, one recovery button, and one reset button
5. Onboard micro-USB connector for programming and debug purposes

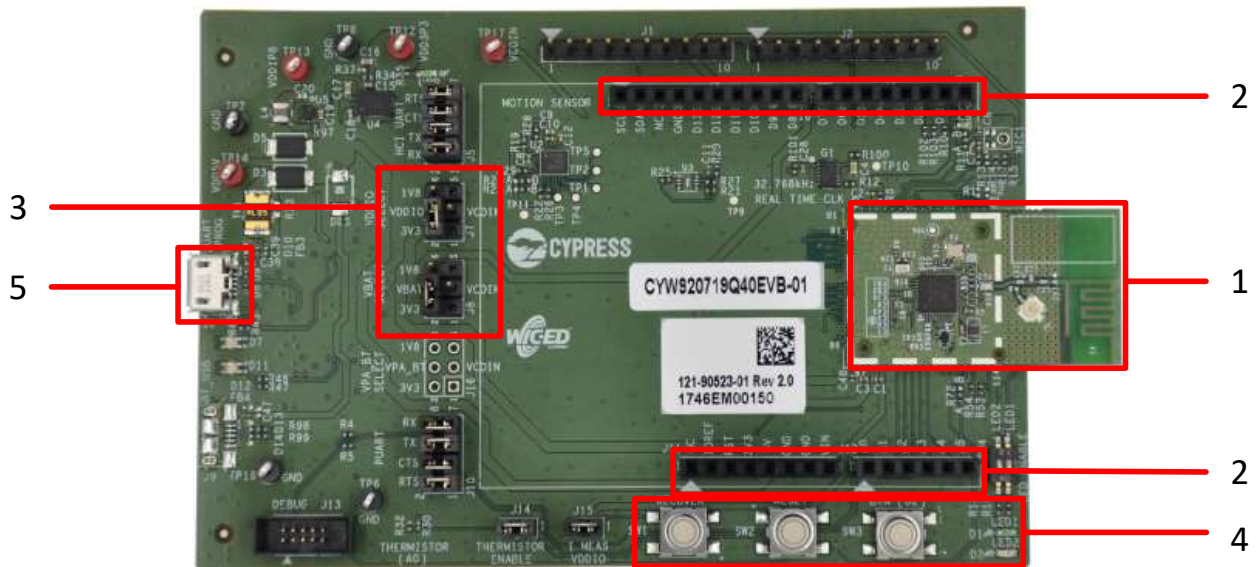


Figure 1-2. CYW920719Q40EVB-01 Evaluation Board

## 1.3 WICED Studio Development System

The WICED Studio Development System comprises a software development kit (SDK) along with the Eclipse integrated development environment (IDE) to enable development of projects with WICED evaluation boards.

The CYW920719Q40EVB-01 board and WICED Studio can be used for feature evaluation, debugging, and developing Bluetooth applications based on the CYW20719 device.

WICED Studio includes libraries and code examples which can speed up the design and development of user applications.

For detailed information on WICED Studio installation and usage, see [Setting up WICED Studio](#).

## 1.4 Getting Started

This user guide will provide additional details of the CYW920719Q40EVB-01 EVB:

The [WICED Studio](#) chapter describes the installation and usage of the kit software. This includes WICED Studio to develop and debug the applications, Hello Client Peer application to test the hello\_sensor application and BTSpy to view trace messages.

The [Kit Operation](#) chapter describes the operation of the kit and how to use its various features.

The [Code Examples](#) chapter describes code examples that will help you understand how to use an example with the kit.

The [Hardware](#) chapter describes the design details of the CYW920719Q40EVB-01 EVB hardware blocks.

## 1.5 IOT Resources and Technical Support

Cypress provides a wealth of wireless product documentation at [www.cypress.com/products/wireless-connectivity](http://www.cypress.com/products/wireless-connectivity) to help you to select the right IoT device for your design. In addition, a professional community at [community.cypress.com/community/wireless](http://community.cypress.com/community/wireless) supplies developers the latest software and tools to solve common evaluation and integration problems while interacting directly with both Cypress applications engineers and experienced peers.

## 1.6 Additional Learning Resources

Visit the [CYW920719Q40EVB-01 EVB](#) webpage for additional learning resources including datasheets and application notes.

## 1.7 Document Conventions

Convention	Usage
Courier New	Displays source code examples.
Consolas	API and function names (when mentioned within body text) The <code>WICED_BT_TRACE()</code> macro can be used to generate printf-style messages from the application code.
<i>Italics</i>	Displays file names, file locations, and reference documentation: <code>C:\...cd\iccl</code>
File > Open	Represents menu paths: <b>File &gt; Open &gt; New Project</b>
<b>Bold</b>	Displays commands, menu paths, and icon names in procedures: Click the <b>File</b> icon and then click <b>Open</b> .
Times New Roman	Displays an equation: $2 + 2 = 4$
Text in gray boxes	Describes Cautions or unique functionality of the product.

Table 1-1. Document Conventions for Guides

## 1.8 Acronyms

Acronvm	Definition
ADC	Analog to Digital Converter
API	Application Programming Interface
BR	Basic Rate
BT / BLE	Bluetooth / Bluetooth Low Energy
EDR	Enhanced Data Rate
EEPROM	Electrically Erasable Programmable Read-Only Memory
EM	Electro-magnetic
ESS	Environment Sensing Service
EVB	Evaluation Board
GAP	Generic Access Profile
GATT	Generic Attribute Profile
GPIO	General Purpose Input Output
HAL	Hardware Abstraction Layer
HCI	Host Controller Interface
I <sup>2</sup> C	Inter-Integrated Circuit
IDE	Integrated Development Environment
JRE	Java Runtime Environment
JTAG	Joint Test Action Group
LE	Low Energy
LED	Light Emitting Diode
LHL	Lean High Land
LPO	Low Power Oscillator
MEMS	Micro Electro-Mechanical System
NTC	Negative Temperature Coefficient
PCB	Printed Circuit Board
PUART	Peripheral UART
PWM	Pulse Width Modulation
RF	Radio Frequency
SDK	Software Development Kit
SIG	Special Interest Group
SoC	System-On-Chip
SPI	Serial Peripheral Interface
SWD	Serial Wire Debug
UART	Universal Asynchronous Receiver/Transmitter

Acronvm	Definition
USB	Universal Serial Bus
VDD	Voltage Drain Drain
WICED	Wireless Internet Connectivity for Embedded Devices
XTAL	Crystal Oscillator

*Table 1-2. List of Acronyms used in this Document*

## 2 WICED Studio

This section provides detailed instructions to set up the Cypress Wireless Internet Connectivity for Embedded Devices (WICED; pronounced "wick-ed") CYW920719Q40EVB-01 evaluation board for use with the Cypress WICED Studio Development System for Bluetooth Classic (aka BR/EDR - Basic Rate/Enhanced Data Rate) and Low Energy (LE) devices.

WICED Studio supports application development using a WICED device such as the CYW20719 provided on the CYW920719Q40EVB-01 kit. The development system is compatible with Windows, Mac OS X, and Linux operating systems. This section describes the software components included in WICED Studio and provides instructions for compiling WICED sample applications using WICED Studio.

This document applies to WICED Studio 6.1 and WICED Bluetooth CYW20719 devices.

### 2.1 Before You Begin

All Cypress software installations require administrator privileges. Make sure that you have the required privileges on the system for successful installation. Before you install the kit software, close any other Cypress software that is currently running.

### 2.2 WICED Studio Overview

WICED Studio SDK includes the following:

- Generic profile-level and BT stack level APIs (WICED BT API)
- Sample applications that demonstrate the use of the API
- Drivers to access on-chip peripherals using WICED HAL APIs (for example, UART, SPI, I2C, ADC, PWM)
- WICED BT API documentation
- Utilities to support development, testing, and mass production on Windows, Mac OS X, and Linux environments

### 2.3 Hardware and Software Requirements

WICED Studio runs on 32- and 64-bit versions of Microsoft Windows, and 64-bit versions of Mac OS X and Linux. The development computer requires a single USB port to connect to the WICED evaluation board.

### 2.4 Development Process

WICED Studio is distributed as executable installers for Windows, Mac OS X, and Linux. Follow these steps to prepare and run an application:

- Download and install WICED Studio (see [Install WICED Studio](#)).
- Connect the WICED evaluation board (see [Connect the WICED Evaluation Board](#)).
- Create and load an application (see [Build and Load a Sample Application](#)).

### 2.5 Setting up WICED Studio

Download WICED Studio from the [Cypress WICED Products website](#) or [Cypress Customer Support Portal](#).

The WICED Studio distribution is provided as a self-installing executable file inside a zip file. Extract the file to a folder on the local hard drive; do not execute the installer from the zip file. Some customized distributions may also provide a configuration file called *config.ert*, which should be placed in the same folder prior to running the installer.

## 2.5.1 Install WICED Studio

**Note:** "x.x.x" used in the filenames denotes the WICED Studio version numbers in actual files.

### 2.5.1.1 Windows

1. Unzip the distribution to a local folder, along with the *config.ert* file, if present.
2. Double-click the *WICED-Studio-x.x.x.x-IDE-Installer.exe* file.
3. Follow the prompts to override or accept the default folders for the Eclipse IDE and WICED Studio SDK files.

### 2.5.1.2 Linux

1. Unzip the distribution to a local folder, along with the *config.ert* file, if present.
2. Open a terminal window and cd to the same folder.
3. Apply execute permissions to the installer executable with the following command:

```
chmod +x ./WICED-Studio-x.x.x.x-IDE-Installer.bin
```

4. Launch the installer from the same terminal window:
- ```
./WICED-Studio-x.x.x.x-IDE-Installer.bin
```
5. Follow the prompts to override or accept the default folders for the Eclipse IDE and WICED Studio SDK files.

If there is a conflict between a pre-existing Java version installed on the system and the Java JRE supplied with the WICED Studio installer, the following error may be encountered during the Linux installation process: "Installer User Interface Mode Not Supported"

To resolve, use the package manager for your Linux distribution (for example, dnf, apt-get, yum) to update Java to the latest version. For example:

```
sudo dnf install java
```

### 2.5.1.3 Mac OS X

1. Unzip the distribution to a local folder.
2. If there is a *config.ert* file with the distribution, use Finder to copy the file and the *WICED-Studio-x.x.x.x-IDE-Installer.app* folder to another folder. This is needed as a workaround for a known OSX 10.12 install issue.
3. Double-click the *WICED-Studio-x.x.x.x-IDE-Installer.app*.
4. Follow the prompts to override or accept the default folders for the Eclipse IDE and WICED Studio SDK files.

If the installer fails to execute, you may need to install or update Java to resolve any potential conflict between a pre-existing Java version installed on the system and the Java JRE supplied with the WICED Studio installer.

Open xterm, run the `java -version` command. If it fails to return any results or states that you are running version 1.6, then you need to install the Java SE Development Kit 8 (JDK8), which can be found [here](#). Once JDK8 is installed, run the `java -version` command again with xterm. If this command returns "1.6", then you will need to fix the symbolic link using the following commands:

```
rm -f /usr/bin/java
```

```
ln -s /System/Library/Frameworks/JavaVM.framework/Versions/Current/Commands/java  
/usr/bin/java
```

## 2.5.2 Connect the WICED Evaluation Board

Figure 2-1 shows the CYW920719Q40EVB-01 WICED evaluation board.

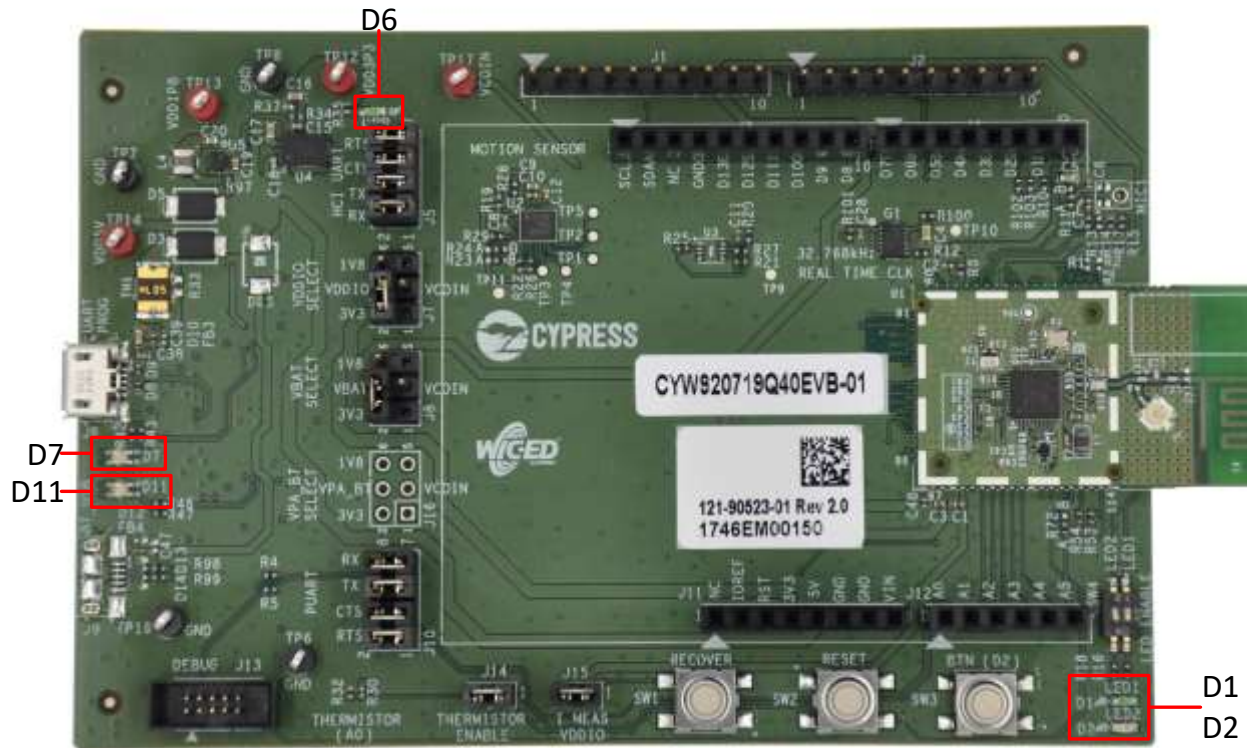


Figure 2-1. CYW920719Q40EVB-01 Evaluation Board

The Micro-USB connector (J6) supports UART connections and provides +5 V power to the board.

Follow these steps before connecting the board and verifying the driver installation:

1. Verify that all the jumpers are in default configuration as shown in [Table 3-1](#) to [Table 3-5](#), so that the Peripheral UART is selected and can display embedded application trace messages.
2. Connect J6 of the WICED evaluation board to the development PC with a USB cable. The USB UART driver should load automatically.

See [Jumpers](#) and [Buttons and Switches](#) for complete information on DIP switches and jumper settings.

The LEDs labelled on the board serve the following purposes:

- D6 (Green) indicates that 3.3 V power is ON
- D7 (variable color) indicates HCI UART activity
- D11 (variable color) indicates peripheral UART activity
- D1 (green) and D2 (red) are generic user LEDs controlled by GPIOs

## 2.5.3 Verify Driver Installation

### 2.5.3.1 Windows

1. Open the Device Manager (right-click **My Computer**, select **Properties**, and then select **Device Manager**).
2. In the **Device Manager** window, verify that two new USB serial COM ports are listed under **Ports (COM & LPT)**.

**Note:** In [Figure 2-2](#), the Device Manager identifies the new WICED evaluation board USB serial COM ports as WICED HCI UART and WICED Peripheral UART. Assigned port numbers vary among systems.

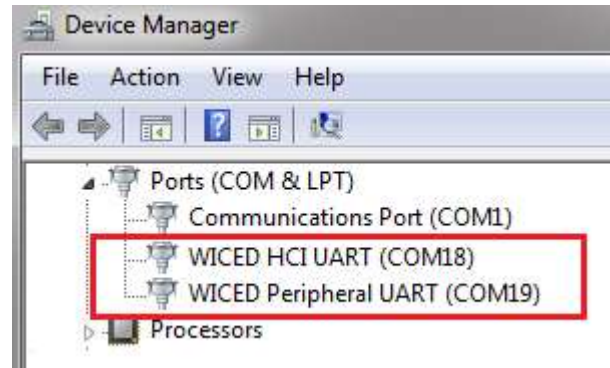


Figure 2-2. Device Manager COM Ports

**Note:** If an error occurs during driver installation, download new drivers from Windows Update. Verify that you have an Internet connection, disconnect and reconnect the board, and wait for the drivers to automatically install.

If new COM ports for the WICED board do not appear in the Device Manager after the drivers are installed via Windows Update, manually install the drivers from the `Drivers\Windows\wiced_uart` folder of the WICED Studio installation. Double-click the installer `DPIInst.exe` for 32-bit Windows and `DPIInst_x64.exe` for 64-bit Windows. Alternately, you can run the driver installers from inside WICED Studio; right-click the driver file name and select **Open With > System Editor**.

If the error persists, check all jumper settings (see [Jumpers](#)) on the board and replace the USB cable.

### 2.5.3.2 Linux

Open a terminal window and verify that two UART ports are listed, usually `/dev/ttyWICED_HCI_UART0` and `/dev/ttyWICED_PUART1`, although numbers may vary.

**Note:** An additional step may be required when connecting a WICED board to a computer running Linux. On common Linux distributions, the serial UART ports (such as `/dev/ttySx` or `/dev/ttyUSBx` devices, including the `/dev/ttyWICED_xxx` devices installed by WICED Studio) belong to the root user and to the dialout group. Standard users are not allowed to access these devices.

An easy way to allow the current user access to Linux's serial ports is by adding the user to the dialout group. You can do this using the following command:

```
$sudo usermod -a -G dialout $USER
```

**Note:** For this command to take effect, you must log out and log in again.

### 2.5.3.3 Mac OS X

Open an xterm window and verify that two UART ports are listed, usually `/dev/tty.usbserial-144A` and `/dev/tty.usbserial-144B`, although numbers may vary. The lower-numbered port is WICED HCI UART, the higher-numbered port is WICED Peripheral UART.

**Note:** On OS X versions 10.10 or earlier, the Apple version of the FTDI driver that ships with the OS has known issues. Follow the instructions [here](#) and update to a specific version.

On OS X versions 10.11 and later, use the Apple version of the FTDI driver. Remove previous instance of the FTDI version of the driver, if any, using the following commands in an xterm window:

```
sudo rm -rf /Library/Extensions/FTDIUSBSerialDriver.kext
sudo rm -rf /System/Library/Extensions/FTDIUSBSerialDriver.kext
```

Reboot the system after performing the rm commands.

## 2.6 Using the WICED Studio IDE

This section describes how to use the WICED Studio IDE to create application build targets for the WICED evaluation board and how to download applications to the board.

### 2.6.1 WICED Studio IDE UI

Double-click the WICED Studio icon on the desktop to start the IDE. Some WICED Studio packages may offer support for multiple devices, and on first-time execution of the IDE, you might be prompted to select the default platform. If prompted, select **20719-B1\_Bluetooth**. You can change the default platform later from the **WICED Target Selector** drop-down list in the IDE.

Figure 2-3 shows the WICED Studio UI, illustrating the following functionality available through the IDE:

1. Edit your application firmware.
2. Access Help that contains instructions on building and downloading applications.
3. Explore existing applications/firmware and libraries of the SDK.
4. View Build messages in the Console window.
5. Create and edit Make Targets for the platform to build your application or project.

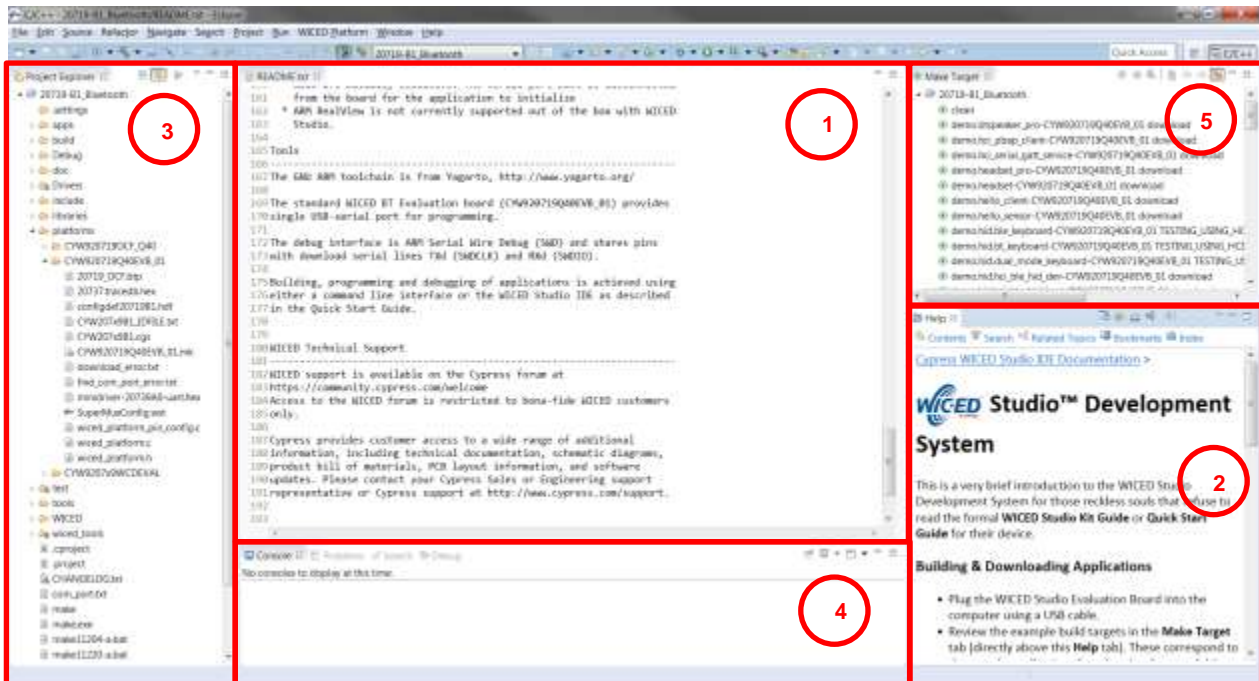


Figure 2-3. WICED Studio IDE

## 2.6.2 WICED Studio SDK Directory Structure

Table 2-1 lists the directory structure of WICED Studio for the CYW20719 device. WICED Studio may support multiple types of WICED modules depending on the installed components; some modules may share components, files, and folders.

**Note:** The folder structure presented in the WICED Studio Project Explorer UI window may differ slightly from the directory structure of the files installed on the file system, as some components may be shared between multiple components in common folders on the file system. It is recommended that WICED Studio be used for accessing files and folders rather than directly through the file system. In case of any discrepancies between the structure presented in WICED Studio and the file system, right-click the component in WICED Studio and select **Properties** to view the location of the component in the file system. For example, the ARM\_GNU toolchain resides under the *43xxx\_Wi-Fi* folder in the filesystem structure, but as used for the CYW20719 device, the *ARM\_GNU* folder appears in the *wiced\_tools* folder in the WICED Studio Project Explorer UI folder tree.

| WICED Studio Project Explorer Directory       | Directory Contents                                                                 |
|-----------------------------------------------|------------------------------------------------------------------------------------|
| <i>20719-B1_Bluetooth\dbc</i>                 | Reference documentation                                                            |
| <i>20719-B1_Bluetooth\Drivers</i>             | USB drivers for the evaluation board                                               |
| <i>20719-B1_Bluetooth\wiced_tools</i>         | Tools including programming tool, and other utilities and scripts                  |
| <i>20719-B1_Bluetooth\wiced_tools\ARM_GNU</i> | Toolchain including compiler, linker, and supporting files (libraries and headers) |
| <i>20719-B1_Bluetooth\apps</i>                | Sample applications                                                                |
| <i>20719-B1_Bluetooth\build</i>               | Output files of built applications                                                 |
| <i>20719-B1_Bluetooth\include</i>             | WICED API function prototypes and definitions                                      |
| <i>20719-B1_Bluetooth\libraries</i>           | Sources for various WICED interface libraries                                      |
| <i>20719-B1_Bluetooth\platforms</i>           | Configuration files and information for supported hardware platforms               |
| <i>20719-B1_Bluetooth\test</i>                | Tools provided for automation testing                                              |
| <i>20719-B1_Bluetooth\tools</i>               | Common utilities used by the IDE build processes                                   |
| <i>20719-B1_Bluetooth\WICED</i>               | WICED core components                                                              |

Table 2-1. WICED Studio SDK Directory Structure

## 2.6.3 WICED Studio Code Examples

Application examples can speed up the design process by serving as templates for development. Code examples are located under the *apps* category (in the Project Explorer window), as shown in Figure 2-4.

The *demo* directory contains applications that combine various WICED features into a single application. The *snip* directory contains application snippets that demonstrate how to use various WICED libraries and API functions. The *host* directory contains applications that demonstrate WICED BT API usage for host MCU apps. Located within each subdirectory in the *apps* folder is a *README.txt* that lists and summarizes the applications located within the folder:

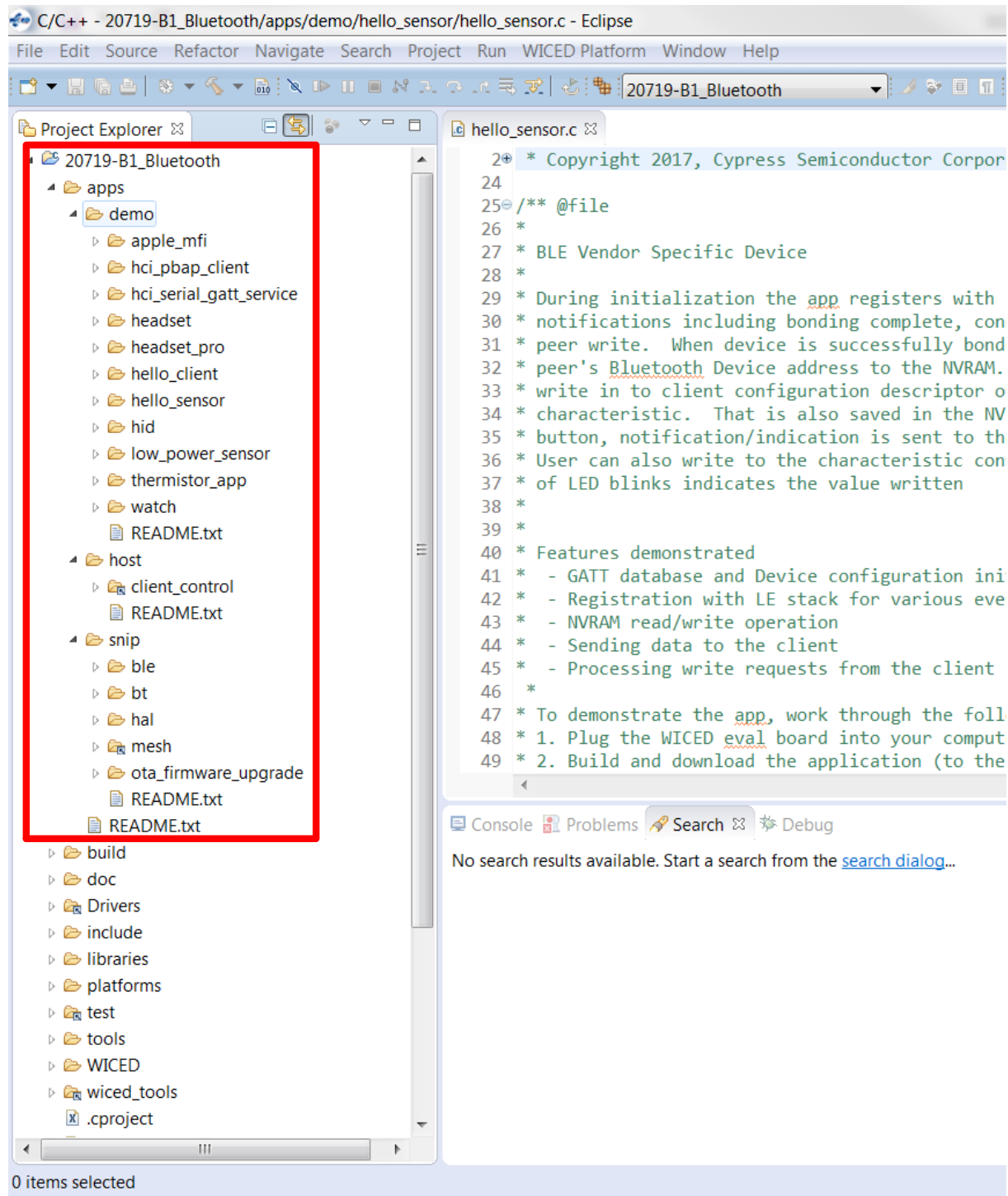


Figure 2-4. Code Examples under apps Category

For more details on the WICED software stack and APIs, see the documents available in the *doc* folder in the Project Explorer pane of WICED Studio. The *API.html* file contains API documentation, and it is recommended that you open the file using the default system web browser. Right-click *API.html* and select **Open With > System Editor**.

## 2.6.4 Build and Load a Sample Application

The **Help** pane in the lower-right corner of the IDE (see [Figure 2-3](#)) describes how to build and download the sample applications shown in the **Make Target** pane, which is located above the **Help** pane. The **Help** pane also describes how to create new applications and associated make targets based on the samples. The **Make Target** pane contains make targets that are preconfigured for sample applications that run on CYW920719Q40EVB-01 evaluation boards.

The `hello_sensor` sample demonstrates basic LE sensor functionality. The source file `hello_sensor.c` contains information on how to exercise the application with the Hello Client host peer application. You can find the source code for the `hello_sensor` sample and Hello Client host peer application in WICED Studio in the **Project Explorer** pane under `20719-B1_Bluetooth\apps\demo\hello_sensor`. This example shows how to build and run the `hello_sensor` sample application on the CYW20719:

1. Connect the evaluation board to the PC.
2. Verify that the UART port is present after the WICED evaluation board is connected to the PC (see [Verify Driver Installation](#)).
3. In the WICED Studio **Make Target** pane, find the make target `demo.hello_sensor-CYW920719Q40EVB_01 download` in the list. Double-click the Make Target to execute it. The IDE console pane (bottom center of the IDE window) will display the build and download progress.

The build output should look similar to the following:

```

14:06:29 **** Build of configuration Release for project 20719-B1 Bluetooth ****
"C:\Users\<>USER>\Documents\WICED-Studio-X.X\20719-B1_Bluetooth\make.exe"
demo.hello_sensor-CYW920719Q40EVB_01 download
Linking target ELF
..\..\43xxx Wi-Fi\tools\ARM_GNU\bin\Win32\arm-none-eabi-ld: Warning: type of symbol
`' changed from 2 to 1 in WICED\chips\20719B1\patches\patch.elf
OK, made elf.
..\..\43xxx Wi-Fi\tools\ARM_GNU\bin\Win32\arm-none-eabi-objdump: section '.aon'
mentioned in a -j option, but not found in any input file
Call to hello_sensor_spar_crt_setup @ 00216385
OK, made C:/Users/<USER>/Documents/WICED-Studio-X.X/20719-
B1_Bluetooth/WICED/wpan/../../build/hello_sensor-CYW920719Q40EVB_01-rom-ram-Wiced-
release/A_20719B1-hello_sensor-rom-ram-spar.cgs. MD5 sum is:
77a9eb1634d7b9716de18582d787103a *../../build/hello_sensor-CYW920719Q40EVB_01-rom-ram-
Wiced-release/A_20719B1-hello_sensor-rom-ram-spar.cgs
-----
Patch code starts at          0x00270400 (RAM address)
Patch code ends at          0x00273B9C (RAM address)
Patch RW/ZI size             1880 bytes
Application starts at        0x00215348 (RAM address)
Application ends at          0x00216381 (RAM address)

Patch code size              14236 bytes
Application RAM footprint    4153 bytes
-----
Total RAM footprint          6033 bytes (5.9kiB)
-----
Converting CGS to HEX...
Conversion complete

Creating OTA images...
Conversion complete
OTA image footprint in NV is 23296 bytes

Downloading application...
Download complete

Application running. Press Reset button on the 20719-B1 board before opening the WICED
HCI port from the Client Control app.

14:06:42 Build Finished (took 13s.108ms)

```

**Note:** The warning 'section '.aon' mentioned in a -j option, but not found in any input file' above is not critical; this is only an indication that the application did not use any data in retention RAM.

**Note:** If the download fails, it is possible the memory on the board has been corrupted by a previously loaded application, or the application used a custom baud rate that the download process does not detect. In that case it may be necessary to put the board in to recovery mode. To do this, first, press and hold the **Recovery** button (SW1), then press the **Reset** button (SW2), release the **Reset** button (SW2), and then release the **Recovery** button (SW1).

**Note:** Because the sample target includes the download option, the tool will download the firmware to the evaluation board automatically when the build is complete, where it is stored in the on-chip flash. The board will reset after the download is successful. When the board boots and finds a valid application image in on-chip flash, it will execute the image.

## 2.6.5 Hello Client Peer Application

The Hello Client (hello\_client) peer sample application is provided with WICED Studio to complement the Hello Sensor (hello\_sensor) application running on the CYW20719 device. You can find the sample application in `20719-B1_Bluetooth\apps\demo\hello_sensor\peer_apps` in the WICED Studio Project Explorer.

The entire source code of the application is provided for Windows, iOS, and Android, along with an executable binary that runs on 32-bit and 64-bit Windows 10 systems. The application is also compatible with Windows 8 and 8.1, but not with lower versions. These steps demonstrate the use of the Windows-based Hello Client application; however, the process is similar for all host operating systems:

1. On the Windows host PC, open the **Settings** screen (usually from **Start**), select **Devices**, and then **Bluetooth**.
2. Click **Add a device** and wait while the PC searches for the devices in range.
3. Select the **Hello Sensor** device, which will appear as "Hello" (this is the embedded application running on CYW20719).
4. Click **Pair** and wait for the device connection to complete.
5. Run `HelloClient.exe` on the Windows host PC. The executable is in the WICED Studio Project Explorer under `apps\demo\hello_sensor\peer_apps\Windows\HelloClient\Release\<x64|x86>`.

If multiple devices have been paired, a Hello Client Select Device window similar to that shown in [Figure 2-5](#) appears. The window shows a list of Bluetooth device addresses for any Hello Sensor applications running on evaluation boards that have been paired to the PC. You can select the correct device from the list displayed in this window.

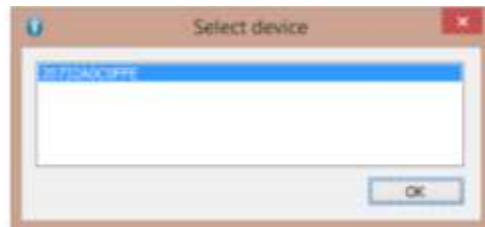


Figure 2-5. Hello Client Select Device Window

6. Select the correct device (if it is not already selected) and click **OK** to initiate a connection to the evaluation board. The connection process may take 5 to 10 seconds.

If only one device has been paired, the selection screen will not appear

**Note:** By default, 20719-B1 LE applications use LE random addressing. If desired, this can be changed to use a specific address, or you may specify a portion of the address to be specific and a portion to be generated randomly. To specify all or part of the Bluetooth device address, edit the file `20719-B1_Bluetooth\apps\demo\hello_sensor\wiced_bt_cfg.c` in WICED Studio Project Explorer and disable LE random addressing by changing the setting to "WICED\_BT\_CFG\_DEFAULT\_RANDOM\_ADDRESS\_NEVER\_CHANGE" in the following line:

```
.rpa_refresh_timeout = WICED_BT_CFG_DEFAULT_RANDOM_ADDRESS_CHANGE_TIMEOUT,
```

When LE random addressing is disabled, the Bluetooth device address programmed in the evaluation board comes from the file `20719-B1_Bluetooth\platforms\CY920719Q40EVB_01\20719_OCF.btp` in the WICED Studio Project Explorer.

To change the Bluetooth device address, open the file and modify the `DLConfigBD_ADDRBase` variable. This value can alternately be overwritten in the make target of the application by setting `BT_DEVICE_ADDRESS=xxxxxxxxxxxx`,

where xxxxxxxxxxxx is a 12-digit hexadecimal value representing the Bluetooth device address. You can substitute the digits with asterisk (\*) characters, in which case WICED Studio will generate random hexadecimal values for the asterisks using the host PC MAC address, so that the random digits will always be the same from a single PC, but different for other PCs.

## 2.6.6 Testing the Hello Sensor Application

### 2.6.6.1 Hello Sensor Application Structure

The Hello Sensor application provides paired devices with the following information:

A Hello Service (a proprietary service) with two proprietary characteristics:

- The value of the Hello Input characteristic (read-only) may be retrieved using one of the following methods:
  - Manually, by clicking **Read** on the HelloClient PC application.
  - Automatically, by pressing button **SW 3** (see [Figure 3-3](#)) on the WICED evaluation board (**Allow Notifications** must be selected from the **Value** drop-down list to allow automatic notifications).
- The Hello Configuration read-write characteristic is used to configure the number of times an LED on the evaluation board blinks (see [Figure 3-3](#)) when the value is changed and whenever button **SW 3** is pressed.

A Device Information Service that provides information including:

- Manufacturer Name
- Model Number
- System ID

A Battery Service that provides a battery-level indication

The application sends dummy battery value and increments for every GATT read operation of the battery level. In order to get the actual values from the battery, please refer to `include/hal/wiced_hal_batmon.h` file for using ADC to measure battery level.

### 2.6.6.2 Hello Sensor Application Test Procedure

To test the application with a WICED evaluation board, follow the instructions provided for each of the Hello Service characteristics (see [Figure 2-6](#)).

#### 2.6.6.2.1 Hello Input Characteristic

1. Select **Allow Notifications** from the **Value** drop-down list for Hello Input.
2. Press button **SW 3** on the WICED board (see [Figure 3-3](#)). The Hello X message is displayed in the **Value** field. Each time the button is pressed, the message number increments.

#### 2.6.6.2.2 Hello Configuration Characteristic

1. Change the **Value** field for the Hello Configuration to **5** and then click **Write**. The red LED on the board blinks 5 times.
2. Press button **SW 3** on the WICED board (see [Figure 3-3](#)). The LED on the board again blinks five times.

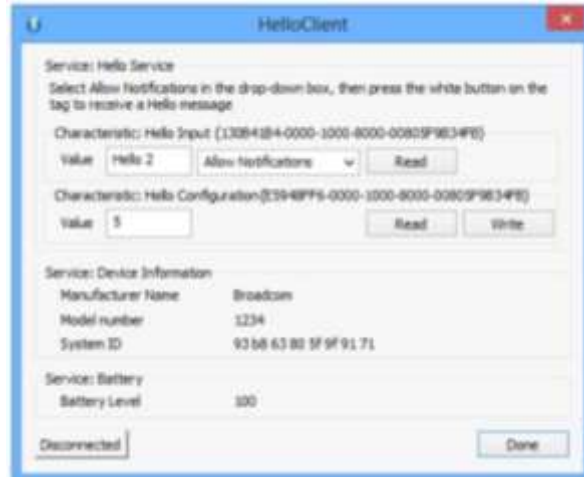


Figure 2-6. HelloClient Services Window

## 2.6.7 Viewing Application Trace Messages

You can view trace messages from the application if the application is compiled with the `WICED_BT_TRACE_ENABLE` compile flag defined. You can define compile flags in the application *makefile*. In the `hello_sensor` application, the `WICED_BT_TRACE_ENABLE` flag is enabled by default (see *makefile.mk* in the `hello_sensor` application source folder in WICED Studio).

With the `WICED_BT_TRACE_ENABLE` compile flag defined, the `WICED_BT_TRACE()` macro can then be used to generate printf-style messages from the application code.

### 2.6.7.1 Routing Trace Messages

You can route trace messages to any of the following destinations using the `wiced_set_debug_uart()` API with the appropriate parameter:

HCI UART serial port – `wiced_set_debug_uart(WICED_ROUTE_DEBUG_TO_HCI_UART)`

PUART serial port – `wiced_set_debug_uart(WICED_ROUTE_DEBUG_TO_PUART)`

BTSpy Windows application – `wiced_set_debug_uart(WICED_ROUTE_DEBUG_TO_WICED_UART)`

The BTSpy option allows Bluetooth protocol trace messages to be viewed alongside application traces. See [View Traces Using the BTSpy Windows Application](#) for information on viewing traces with the BTSpy option.

The quickest and simplest way to view application traces is to use the HCI UART or PUART options with a terminal emulation program connected to the appropriate UART port. See [View Traces Using a Terminal Emulation Program](#) for information on terminal settings for the UART route options.

**Note:** Downloads from WICED Studio use the HCI UART serial port, so if you are also using the HCI UART serial port for debug messages, do not open the HCI UART port with the terminal emulation program until after the application download has completed in WICED Studio to avoid contention. The PUART serial port has no such contention, so the `hello_sensor` sample application uses the PUART by default. The other options (HCI\_UART and WICED\_UART) are provided in the source file as comments. You can comment out the PUART lines and uncomment either the HCI\_UART or WICED\_UART line if you want to try one of the other options.

### 2.6.7.2 View Traces Using a Terminal Emulation Program

To view traces with a terminal emulation program (such as Tera Term or PuTTY on Windows, PuTTY on Linux, or SerialTools on Mac OS X), start the terminal emulation program and open a connection to the desired UART port (either HCI or Peripheral, as specified in the call to the `wiced_set_debug_uart()` API) using the following settings:

Baud Rate: 115200<sup>a</sup>  
Data: 8 bit  
Parity: None  
Stop: 1 bit  
Flow Control: None  
Terminal ID: VT100  
New-Line Receive: Auto

Press **Reset** (SW2) on the WICED evaluation board to view the application startup messages. For example:

```
Hello Sensor Start
hello_sensor_management_cback: 15
local keys read from NVRAM result: 0
hello_sensor_management_cback: 0
hello_sensor_application_init
wiced_bt_gatt_register: 0
wiced_bt_gatt_db_init 0
hello_sensor_load_keys_for_address_resolution 00 00 00 00 00 00 result:40
hello_sensor_management_cback: 17
Advertisement State Change: 3
wiced_bt_start_advertisements 0
hello_sensor_timeout: 1, ft:959
hello_sensor_timeout: 2, ft:1944
hello_sensor_timeout: 3, ft:2927
```

### 2.6.7.3 View Traces Using the BTSpy Windows Application

By routing application traces with the `wiced_set_debug_uart(WICED_ROUTE_DEBUG_TO_WICED_UART)` API call, you can view traces using the separate BTSpy and ClientControl utilities. These Windows applications are supplied with WICED Studio and are available in the `wiced_tools` and `apps\host\client_control` folders respectively.

The ClientControl utility connects to the HCI UART port and receives trace message packets. These message packets are then sent through a socket connection to the BTSpy utility, where they can be displayed and logged.

The BTSpy trace option provides an advantage over the UART options. Applications may configure the stack to generate Bluetooth protocol trace messages showing all activity between the stack and the controller over the virtual HCI interface embedded in the CYW20719 device. The Bluetooth protocol trace messages will be encoded into WICED HCI message packets and sent along with application trace messages (from `WICED_BT_TRACE()`), which can be encoded and displayed by the BTSpy utility. You can then view the application trace messages in sequence with the corresponding Bluetooth protocol trace messages.

---

<sup>a</sup> The Hello Sensor application uses 115200 as the default baud rate for the PUART, where traces are routed by default in that application. Other applications in WICED Studio may use different trace destinations and baud rates, which may be found in each sample application's initialization of the `wiced_transport_cfg_t` structure, used in the call to the `wiced_transport_init()` API for routing traces to the HCI UART port, and in any calls to the `wiced_hal_puart_set_baudrate()` API overriding the default rate for routing traces to the PUART port.

To configure the stack to generate Bluetooth protocol trace messages, applications must route trace messages to the ClientControl/BTSpy receivers by calling `wiced_set_debug_uart` (`WICED_ROUTE_DEBUG_TO_WICED_UART`), and define a callback function and register it with the stack using the `wiced_bt_dev_register_hci_trace()` API. The callback function implementation should call the `wiced_transport_send_hci_trace()` API with the data received in the callback. See the Hello Sensor sample implementation of `hello_sensor_hci_trace_cback()` in the `hello_sensor.c` file, for an example.

To view application and Bluetooth protocol traces in BTSpy:

1. Define `WICED_BT_TRACE_ENABLE` in the application `makefile.mk` file. For example, add the line:

```
C_FLAGS += -DWICED_BT_TRACE_ENABLE
```

2. Ensure that the application calls `wiced_set_debug_uart` (`WICED_ROUTE_DEBUG_TO_WICED_UART`).

**Note:** Hello sensor calls this API in `hello_sensor.c`, to route to the PUART by default. However, commented out code is provided to change this to the `WICED_UART` instead.

3. Compile and download the application to the evaluation board.
4. Press **Reset** (SW2) on the WICED evaluation board to reset the HCI UART after downloading, before opening the port with ClientControl.
5. Run the ClientControl utility from `apps/host/client_control`. You can open the utility from inside WICED Studio. Right-click the utility and select **Open With > System Editor**.
6. In the ClientControl utility, select the HCI UART port in the UI, and set the baud rate to the baud rate used by the application for the HCI UART (3000000 for Hello Sensor; for other applications, see the initialization of the `wiced_transport_cfg_t` structure used in the call to the `wiced_transport_init()` API).
7. Run the BTSpy utility from `wiced_tools`. You can open the utility from inside WICED Studio. Right-click the utility and select **Open With > System Editor**.
8. In the ClientControl utility, open the HCI UART COM port by clicking the Open Port button.
9. Press **Reset** (SW2) on the WICED evaluation board to reset the kit and view trace messages in the BTSpy window.

### 3 Kit Operation

This section provides detailed instructions to set up the Cypress Wireless Internet Connectivity for Embedded Devices (WICED; pronounced "wick-ed") CYW920719Q40EVB-01 evaluation board for use with the Cypress WICED Studio Development System for Bluetooth Classic (aka BR/EDR - Basic Rate/Enhanced Data Rate) and Low Energy (LE) devices.

This chapter introduces you to the CYW920719Q40EVB-01 EVB and the features that will be used as part of kit operation. This chapter also discusses features such as the Bluetooth connection and programming/debugging as well as the USB-UART bridge device that can be used to communicate with the CYW20719-B1 device on this EVB.

#### 3.1 Theory of Operation

The CYW920719Q40EVB-01 is built around the CYW20719-B1 device. [Figure 3-1](#) shows the block diagram of the CYW20719-B1 device. See the CYW20719-B1 datasheet for details of device features.

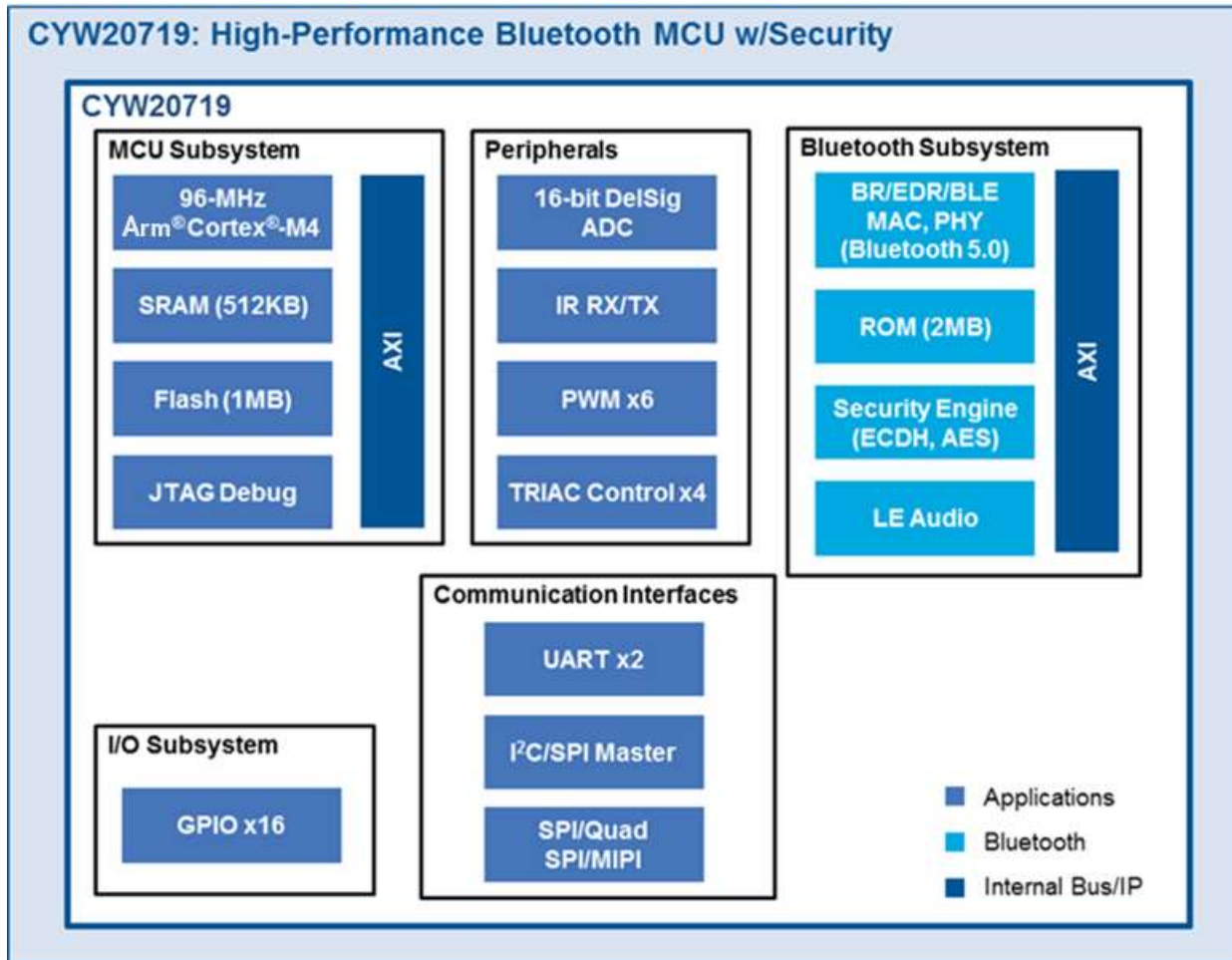


Figure 3-1. Block Diagram of CYW20719-B1 Device

[Figure 3-2](#) illustrates the block diagram of the CYW920719Q40EVB-01 Evaluation Board. This board contains a CYW20719-B1 Bluetooth device and a USB-Serial interface/debugger. The kit features Arduino form-factor compatible headers, which

enables Arduino shields to be plugged on top, extending its capabilities. It also features one user switch, one reset switch, one recovery switch, two user LEDs, a thermistor, and a motion sensor.

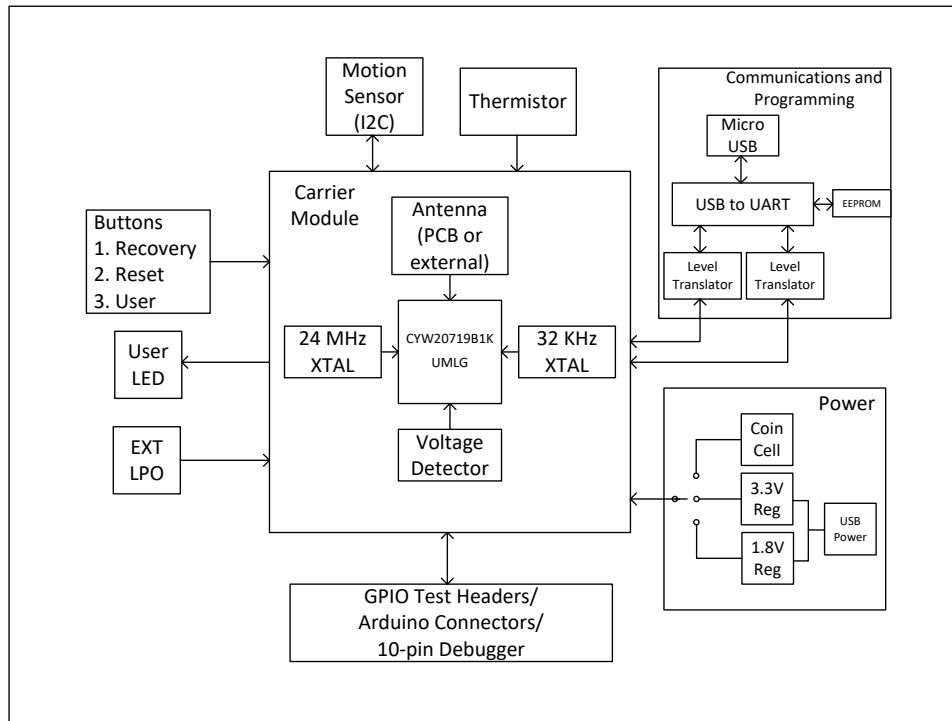


Figure 3-2. Block Diagram of CYW920719Q40EVB-01 EVB

Figure 3-3 and Figure 3-4 show the markup of the CYW920719Q40EVB-01 board. See the list below for a description of the numbered items.

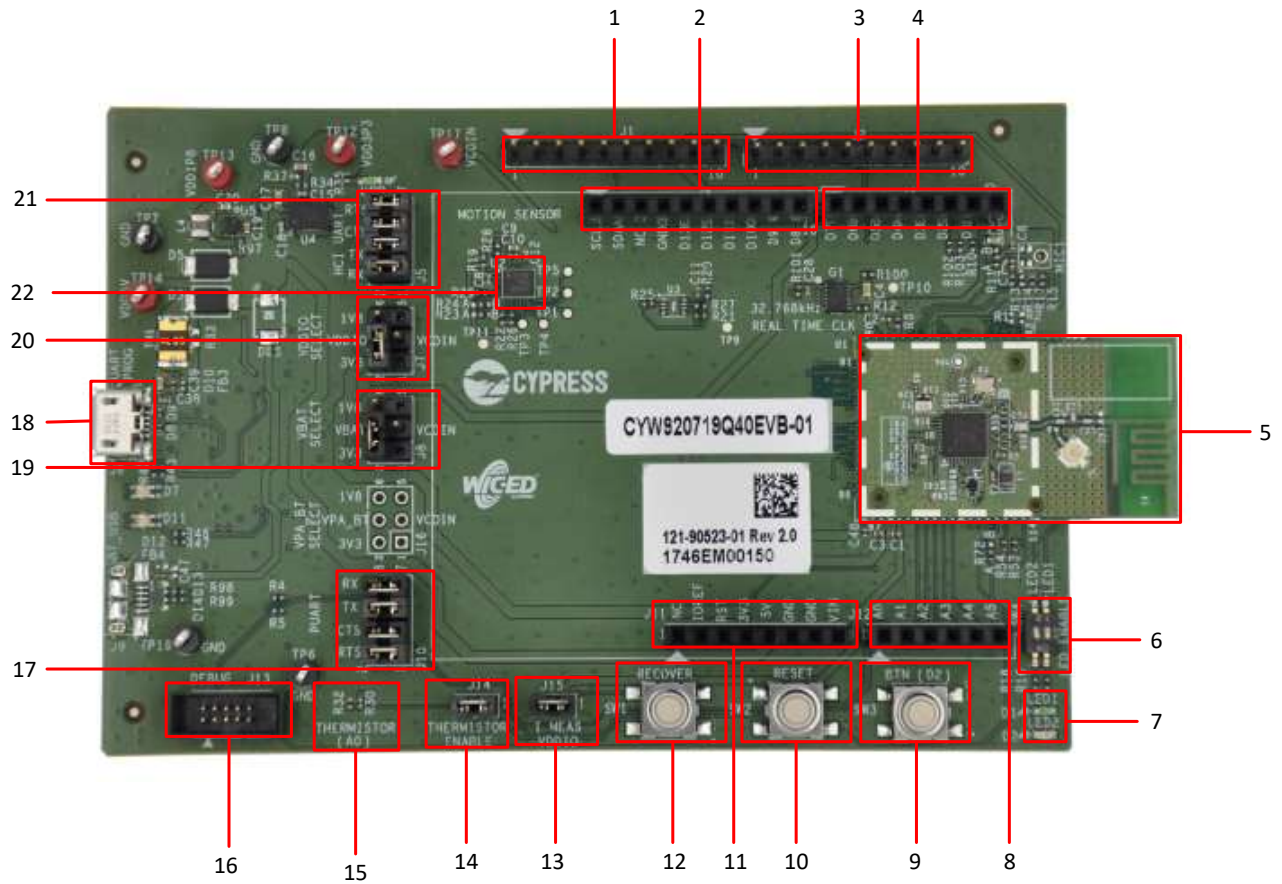


Figure 3-3. CYW920719Q40EVB-01 Evaluation Board

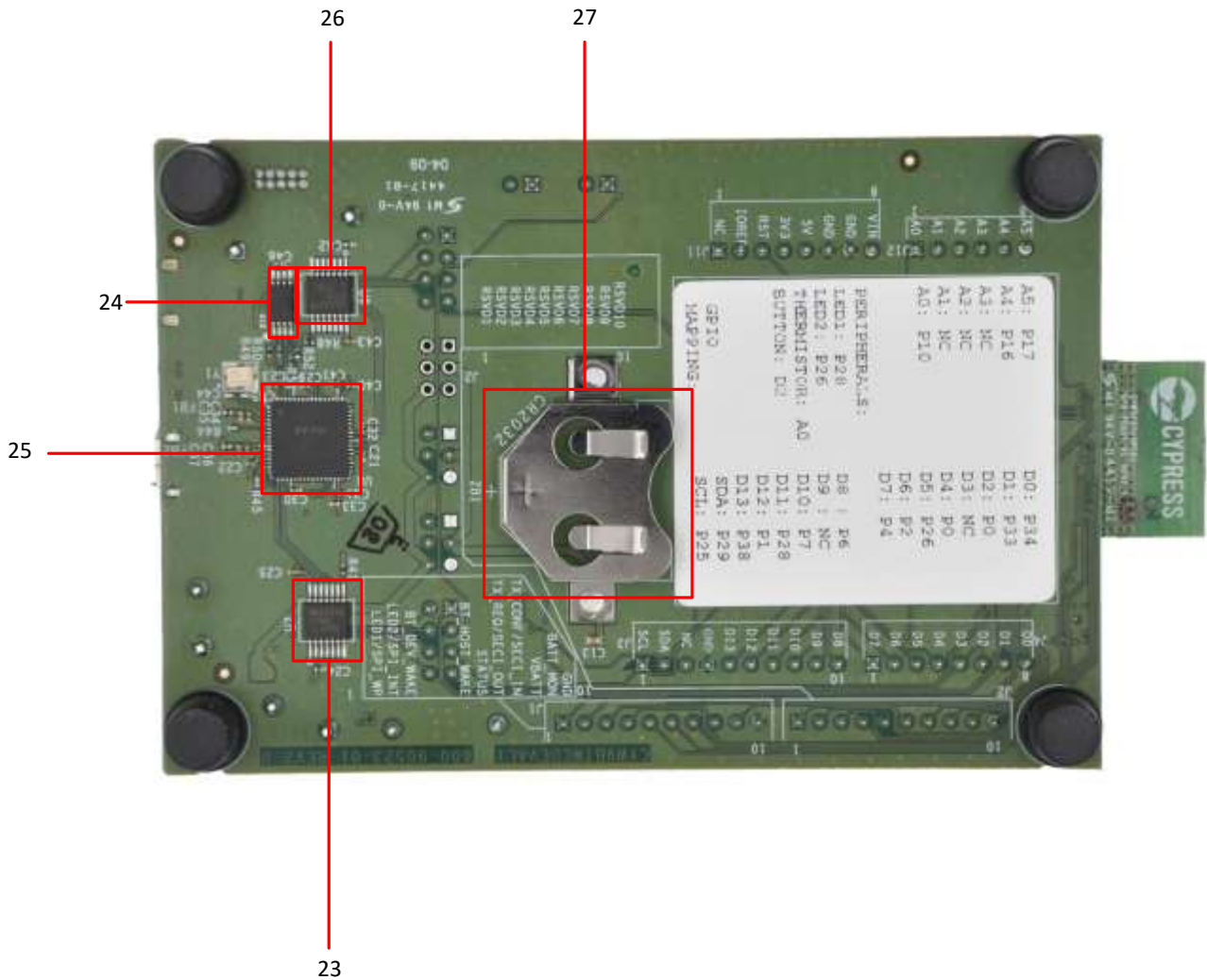


Figure 3-4. CYW920719Q40EVB-01 Evaluation Board (Back View)

1. WICED Header (J1): This header brings out some pins of the CYW20719 device that are not connected to the Arduino headers. These pins can be used for testing or for custom applications.
2. Arduino Header (J3): The Arduino-compatible I/O header brings out pins from CYW20719 to interface with Arduino shields.
3. WICED Header (J2): This header brings out some pins of the CYW20719 device that are not connected to the Arduino headers. These pins can be used for testing or for custom applications.
4. Arduino Header (J4): The Arduino-compatible I/O header brings out pins from CYW20719 to interface with Arduino shields.
5. Carrier Board (U1): The carrier module has the CYW20719 device on it. A Bluetooth antenna is printed on the carrier module PCB. The UART signals and GPIOs are brought out to the module pins to interface with the base board.
6. LED Enable (SW4): These DIP switches are used to connect/disconnect the LEDs from the CYW20719 device.
7. LEDs (D1 and D2): These onboard LEDs can be controlled by the CYW20719 device. The LEDs are active LOW, so the pins must be driven to ground to turn ON the LEDs.
8. Arduino Header (J12): The Arduino-compatible I/O header brings out pins from CYW20719 to interface with Arduino shields.

9. User Button (SW3): This button can be used to provide an input to the CYW20719 device. Note that the button connects the CYW20719 pin to ground when pressed, so the CYW20719 pin must be configured as a digital input with resistive pull-up for detecting the button press.
10. Reset Button (SW2): This button can be used to reset the device.
11. Arduino Header (J11): The Arduino-compatible power header powers Arduino shields.
12. Recovery Button (SW1): This button is used to put the device in recovery mode. To put the device in recovery mode, press and hold the recovery button, press and release the reset button, then release the recovery button.
13. VDDIO Enable (J15). This jumper is used to power the carrier board. To measure the current consumed by the carrier module, remove this jumper and connect an ammeter to the two pins.
14. Thermistor Enable (J14): This jumper can be used to connect or disconnect the thermistor from the CYW20719 device.
15. Thermistor (R30): The onboard thermistor can be used to measure temperature.
16. Debug Header (J13): This header can be used to connect an external debugger. It has a 10-pin interface.
17. PUART Header (J10): This header can be used to connect or disconnect the PUART pins from the USB-Serial device.
18. USB Connector (J9): This USB connector can be used to connect the board to a PC.
19. VBAT Select (J8): This header is used to select the VBAT (core power supply) power source. The possible selections are 3.3 V, 1.8 V, or VCOIN which is the coin cell battery holder on the back of the board.
20. VDDIO Select (J7): This header is used to select the VDDIO power source. The possible selections are 3.3 V, 1.8 V, or VCOIN which is the coin cell battery holder on the back of the board.
21. HCI UART Header (J5): This header can be used to connect or disconnect HCI UART from the USB-Serial device.
22. Motion Sensor (U2): This is an I<sup>2</sup>C-based 9-axis motion sensor.
23. Level Translator (U9): This level translator is used to translate UART signals between the USB-Serial device and CYW20719 device.
24. EEPROM (U10): This EEPROM contains configuration information for the USB Serial device.
25. USB to UART (U8): This is the two-channel USB to UART converter.
26. Level Translator (U7): This level translator is used to translate UART signals between the USB-Serial device and CYW20719 device.
27. Coin Cell Holder (ZB1): This is a coin cell battery holder.

## 3.2 Jumpers

Table 3-1 to Table 3-5 list the jumper settings on the CYW920719Q40EVB-01 kit.

| Jumper J5 (HCI UART) | Default State | Connection on CYW20719 Device | Description                                                                                        |
|----------------------|---------------|-------------------------------|----------------------------------------------------------------------------------------------------|
| 1 and 2              | Shorted       | UART_RXD                      | Connects the CYW20719 BT_UART_RXD to FTDI TX1 via level translators for USB to UART functionality  |
| 3 and 4              | Shorted       | UART_TXD                      | Connects the CYW20719 BT_UART_TXD to FTDIRX1 via level translators for USB to UART functionality   |
| 5 and 6              | Shorted       | UART_CTS_L                    | Connects the CYW20719 BT_UART_CTS to FTDIRTS1 via level translators for USB to UART functionality  |
| 7 and 8              | Shorted       | UART_RTS_L                    | Connects the CYW20719 BT_UART_RTS to FTDIRCTS1 via level translators for USB to UART functionality |

Table 3-1. Jumper J5 Pin Configurations

| Jumper J7 (VDDIO selection) | Default State | Connection on CYW20719 Device | Description                                                                                                                     |
|-----------------------------|---------------|-------------------------------|---------------------------------------------------------------------------------------------------------------------------------|
| 2 and 4                     | Shorted       | LHL_VDDIO, BT_VDDIO           | Short these pins to supply 3.3 V to VDDIO of the 20719 device, as well as all peripherals and sensors.                          |
| 4 and 6                     | Open          |                               | Short these pins to supply 1.8 V to VDDIO of the 20719 device, as well as all peripherals and sensors.                          |
| 3 and 4                     | Open          |                               | Short these pins to supply VDDIO of the 20719 device, as well as all peripherals and sensors from the coin cell supply (VCOIN). |

Table 3-2. Jumper J7 Pin Configurations

| Jumper J8 (VBAT selection) | Default State | Connection on CYW20719 Device | Description                                                                                                                                                                               |
|----------------------------|---------------|-------------------------------|-------------------------------------------------------------------------------------------------------------------------------------------------------------------------------------------|
| 2 and 4                    | Shorted       | SR_VDDBAT3V                   | Short these pins to supply 3.3 V to VBAT of the 20719 device. Also use this jumper to measure the current consumption of VBAT when using 3.3V supply.                                     |
| 4 and 6                    | Open          |                               | Do not use                                                                                                                                                                                |
| 3 and 4                    | Open          |                               | Short these pins to use the coin cell holder to supply VBAT of the 20719 device. Also use this jumper to measure the current consumption of VBAT when using the coin cell supply (VCOIN). |

Table 3-3. Jumper J8 Pin Configurations

| Jumper J10 (Peripheral UART) | Default State | Connection on CYW20719 Device | Description                                                       |
|------------------------------|---------------|-------------------------------|-------------------------------------------------------------------|
| 1 and 2                      | Shorted       | NC                            | Pin 2 connects to FTDI RTS pin through level shifter. Pin 1 is NC |
| 3 and 4                      | Shorted       | NC                            | Pin 4 connects to FTDI CTS pin through level shifter. Pin 3 is NC |
| 5 and 6                      | Shorted       | P33                           | Connects the CYW20719 Peripheral UART_TX to FTDI RX2              |
| 7 and 8                      | Shorted       | P34                           | Connects the CYW20719 Peripheral UART_RX to FTDI TX2              |

Table 3-4. Jumper J10 Pin Configurations

| Jumper J14 (Thermistor connect/disconnect) | Default State | Connection on CYW20719 Device | Description                                          |
|--------------------------------------------|---------------|-------------------------------|------------------------------------------------------|
| 1 and 2                                    | Shorted       | P10                           | Short this jumper to connect thermistor to CYW20719. |

Table 3-5. Jumper J14 Pin Configurations

| Jumper J15 (VDDIO current measurement) | Default State | Connection on CYW20719 Device | Description                                                                                                                                        |
|----------------------------------------|---------------|-------------------------------|----------------------------------------------------------------------------------------------------------------------------------------------------|
| 1 and 2                                | Shorted       | LHL_VDDIO, BT_VDDIO           | Short this jumper to supply power to the IO Domain (VDDIO) of the 20719. Also use this jumper to measure the current consumption of the IO Domain. |

Table 3-5. Jumper J15 Pin Configurations

**NOTE:** VDDIO must be greater or equal to VBAT. The CYW20719 uses an on-chip low voltage detector to shut down the chip when supply voltage (VBAT) drops below the operating range. The Shutdown voltage ( $V_{SHUT}$ ) lies between a minimum of 1.625V and a maximum of 1.775V. Please see the datasheet for more details.

### 3.3 Buttons and Switches

| Buttons | Pressed Value | Connection on CYW20719 Device | Description             |
|---------|---------------|-------------------------------|-------------------------|
| SW1     | GND           | UART_CTS_L                    | Recovery Button         |
| SW2     | GND           | RST_N                         | Active low Reset Button |
| SW3     | GND           | P0                            | User application button |

Table 3-6. Button Functionality

The DIP switch SW4 enables or disables the two onboard user LEDs. By default, both LED1 and LED2 are enabled.

| DIP SW4 | Default State | Connection on CYW20719 Device | Description  |
|---------|---------------|-------------------------------|--------------|
| 1       | ON            | P28                           | Enables LED1 |
| 2       | ON            | P26                           | Enables LED2 |

Table 3-7. DIP Switches Configuration

### 3.4 Arduino-Compatible Headers

J3, J4, J11, and J12 are the Arduino compatible headers.

| Header J3 | Arduino Pin | Connection on CYW20719 Device | WICED Enum Name | Description          |
|-----------|-------------|-------------------------------|-----------------|----------------------|
| 1         | SCL         | P25                           | WICED_P25       | I2C SCL              |
| 2         | SDA         | P29                           | WICED_P29       | I2C SDA              |
| 3         | AREF        | NC                            |                 | Analog Reference     |
| 4         | GND         | GND                           |                 | Ground               |
| 5         | D13         | P38                           | WICED_P38       | General purpose GPIO |
| 6         | D12         | P1                            | WICED_P01       | General purpose GPIO |
| 7         | D11         | P28                           | WICED_P28       | General purpose GPIO |
| 8         | D10         | P7                            | WICED_P07       | General purpose GPIO |
| 9         | D9          | NC                            |                 | NC                   |
| 10        | D8          | P6                            | WICED_P06       | General purpose GPIO |

Table 3-8. Header J3 Pin Configurations

| Header J4 | Arduino Pin | Connection on CYW20719 Device | WICED Enum Name | Description          |
|-----------|-------------|-------------------------------|-----------------|----------------------|
| 1         | D7          | P4                            | WICED_P04       | General purpose GPIO |
| 2         | D6          | P2                            | WICED_P02       | General purpose GPIO |
| 3         | D5          | General purpose GPIO          |                 | General purpose GPIO |
| 4         | D4          | P0                            | WICED_P00       | General purpose GPIO |
| 5         | D3          | NC                            |                 | NC                   |
| 6         | D2          | P0                            | WICED_P00       | User Button          |
| 7         | D1          | P33                           | WICED_P33       | PUART_TX             |
| 8         | D0          | P34                           | WICED_P34       | PUART_RX             |

Table 3-9. Header J4 Pin Configurations

| Header J11 | Arduino Pin | Connection on CYW20719 Device | Description                                                                                |
|------------|-------------|-------------------------------|--------------------------------------------------------------------------------------------|
| 1          | NC          | NC                            | NC                                                                                         |
| 2          | IOREF       | VDDIO                         | IO reference pin used by shields to determine IO voltage. Connected to VDDIO on this board |
| 3          | ARD_RST     | NC                            | Arduino Reset (See <a href="#">RESET</a> )                                                 |
| 4          | VDD3P3      | NC                            | 3.3 V supply to the Arduino Shield                                                         |
| 5          | VDD5V       | NC                            | 5 V supply to the Arduino Shield                                                           |
| 6          | GND         | GND                           | GND                                                                                        |
| 7          | GND         | GND                           | GND                                                                                        |
| 8          | NC          | NC                            | NC                                                                                         |

Table 3-10. Header J11 Pin Configurations

| Header J12 | Arduino Pin | Connection on CYW20719 Device | WICED Enum Name | Description          |
|------------|-------------|-------------------------------|-----------------|----------------------|
| 1          | A0          | P10                           | WICED_P10       | General purpose GPIO |
| 2          | A1          | NC                            |                 | NC                   |
| 3          | A2          | NC                            |                 | NC                   |
| 4          | A3          | NC                            |                 | NC                   |
| 5          | A4          | P16                           | WICED_P16       | General purpose GPIO |
| 6          | A5          | P17                           | WICED_P17       | General purpose GPIO |

Table 3-11. Header J12 Pin Configurations

### 3.5 Other Headers

J13 is a 10-pin debugger header to debug the CYW920719Q40EVB-01 using SWD

| Header J13 | Connection to Header Pin | Connection on CYW20719 Device | WICED Enum Name | Description            |
|------------|--------------------------|-------------------------------|-----------------|------------------------|
| 1          | VDDIO                    | VDDIO                         |                 | VDDIO reference        |
| 2          | PUART_RX                 | P34                           |                 | Peripheral UART RX pin |
| 3          | GND                      | GND                           |                 | Ground                 |
| 4          | PUART_TX                 | P33                           | WICED_P33       | Peripheral UART TX pin |
| 5          | GND                      | GND                           |                 | Ground                 |
| 6          | NC                       | NC                            |                 | No Connect             |
| 7          | NC                       | NC                            |                 | No Connect             |
| 8          | NC                       | NC                            |                 | No Connect             |
| 9          | NC                       | NC                            |                 | No Connect             |
| 10         | BT_RST                   | RST_N                         |                 | CYW20719 device reset  |

Table 3-12. Header J13 Pin Description

J1 is a test header which brings out certain pins of the CYW20719 for testing

| Header J1 | Connection to Header Pin | Connection on CYW20719 Device | WICED Enum Name | Description                      |
|-----------|--------------------------|-------------------------------|-----------------|----------------------------------|
| 1         | LED1/SF_WP               | P28                           | WICED_P28       | LED1 connection                  |
| 2         | LED2/SPI_INT             | P26                           | WICED_P26       | LED2 or SPI interrupt connection |
| 3         | BT_DEV_WAKE              | NC                            |                 | No Connect                       |
| 4         | BT_HOST_WAKE             | HOST_WAKE                     |                 | Signal to wake up host           |
| 5         | STATUS                   | NC                            |                 | No Connect                       |
| 6         | TX_REQ/SECI_OUT          | NC                            |                 | No Connect                       |
| 7         | TX_CONF/SECI_IN          | NC                            |                 | No Connect                       |
| 8         | VBATT                    | NC                            |                 | No Connect                       |
| 9         | BATT_MON                 | NC                            |                 | No Connect                       |
| 10        | GND                      | GND                           |                 | Ground                           |

Table 3-13. Header J1 Pin Description

J2 header is reserved for future use

| Header J2 | Connection to Header Pin | Connection on CYW20719 Device | Description |
|-----------|--------------------------|-------------------------------|-------------|
| 1         | RSVD1                    | NC                            | No Connect  |
| 2         | RSVD2                    | NC                            | No Connect  |
| 3         | RSVD3                    | NC                            | No Connect  |
| 4         | RSVD4                    | NC                            | No Connect  |
| 5         | RSVD5                    | NC                            | No Connect  |
| 6         | RSVD6                    | NC                            | No Connect  |
| 7         | RSVD7                    | NC                            | No Connect  |
| 8         | RSVD8                    | NC                            | No Connect  |

| Header J2 | Connection to Header Pin | Connection on CYW20719 Device | Description |
|-----------|--------------------------|-------------------------------|-------------|
| 9         | RSVD9                    | NC                            | No Connect  |
| 10        | RSVD10                   | NC                            | No Connect  |

Table 3-14. Header J2 Pin Description

## 3.6 USB Serial interface Chip

An FT-2232-HQ chip is used for onboard programming, debugging, and USB-Serial functionality. It connects to the computer over a USB interface and connects to the CYW20719-B1 device through the HCI UART and PUART pins.

Note that the PUART and the external 10-pin debugger cannot be used at the same time as they use the same IO pins.

## 3.7 Kit Power Supply

The kit can be powered by one of two power sources: USB or coin cell battery.

As shown in [Figure 3-2](#) the USB power is connected to two Buck regulators, one regulating the voltage to 1.8 V and the other to 3.3 V. A coin cell battery can be directly connected without the need of a regulator. See [Table 3-2](#) and [Table 3-3](#) to understand the jumper settings for power selection.

## 3.8 Test Points

All power domains are brought out as test points for easy probing.

## 3.9 Current Measurement

The CYW20719 device has two power domains; VDDIO to power the Lean High Land (LHL) pins and VBAT to power the core. The total current consumption by the device is the sum of the current consumed by the VDDIO domain and the VBAT domain. To measure the current consumed by the VDDIO domain, an ammeter can be connected across jumper J15. To measure the current consumed by the VBAT domain, connect an ammeter across pin 4 and one of pins 2, 3, or 6 (depending on the power source) of jumper J8.

Note that when VDDIO and VBAT are both powered at 1.8V, connecting an ammeter across VBAT will result in a drop of voltage due to the burden voltage of the ammeter. This will cause the device to shutdown as the voltage will go below the nominal operating conditions.

## 3.10 SWD Debugging

WICED Studio supports multiple ARM-JTAG adapters for debugging Bluetooth products like CYW20719. Debugging is possible on CYW920719Q40EVB-01 through SWD (Serial Wire Debug) signals. SWD is a two-wire interface that uses SWDIO (SWD Input Output) and SWDCK (Serial Wire Clock) for debugging the device. These two lines can be brought out to any of the LHL GPIOs on the CYW20719. To use the debug interface the PUART jumper (J10) needs to be disconnected as PUART and debug interface share the same IOs. Also add the following API in your APPLICATION\_START function to route the debug signals to the correct IOs:

```
gpio_function_Set_GPIO_Function(WICED_P34, SWDIO);
```

```
gpio_function_Set_GPIO_Function(WICED_P33, SWDCK);
```

## 3.11 Pin Configuration

The GPIOs on the CYW20719 device can be muxed to various peripherals. For more information on the peripherals that can be routed to the various GPIOs, see the device datasheet. For this board, WICED Studio initializes the GPIOs to the platform default configuration. For example, P25 and P29 are configured as I2C SCL and I2C SDA, respectively. This is done in the file `20719-B1_Bluetooth/platforms/wiced_platform_pin_config.c`. To override the default configuration for an application, add your own pin configuration to the `app` folder and name the file as `<app_name>_pin_config.c`. WICED Studio provides a SuperMux Wizard GUI to configure GPIO pin function mapping and associated configuration, to

---

automatically generate this `<app_name>_pin_config.c` file, and to integrate the code into an existing application. For more information on this tool, see the user guide *CYW20719-SuperMux-Wizard-User-Guide* located at *20719-B1\_Bluetooth\doc*.

## 4 Code Examples

This chapter explains the functionality of the CYW20719 Thermostat code example. This code example can be found in the folder `20719-B1_Bluetooth\apps\snip\ble\env_temp_sensing`. This chapter also describes the hardware connections and how to verify the output. You can find more code examples and their details in WICED Studio under the `apps` folder.

### 4.1 Thermostat

#### 4.1.1 Project Description

This project demonstrates the ADC and BLE capability of the CYW20719 device. A negative temperature coefficient type of thermistor is used to measure ambient temperature. The thermistor present on the CYW920719Q40EVB-01 Evaluation board is PN NCU15W104F60RC from Murata. It is a 100 K $\Omega$  thermistor at 25°C with 1% accuracy. The thermistor is connected to GPIO P10 on the CYW20719 device. The ADC is used to measure the change in voltage to determine the temperature. The temperature value is sent over BLE to a client, and on the PUART as DEBUG TRACE messages to a Terminal Emulator such as TeraTerm. This project demonstrates the following features:

- ADC usage
- BLE Environment Sensing Service (ESS)
- Debug Trace messages
- Connection with any central device

The Environmental Sensing Profile in this project consists of one Bluetooth SIG defined service, the ESS. This project implements only the temperature characteristic from this service. This characteristic supports notification, which allows the GATT server to send data to the connected client device whenever new data is available.

The project consists of the following files:

`thermistor_app.c`

This file contains the `application_start` function which is the entry point and execution of firmware application. It also contains the following functionality:

- System initialization
- Reading the ADC values and converting to temperature
- Callback function registered with the BLE stack to process BLE events from the stack
- GATT events handler
- Function to send temperature value notifications to a GATT client
- Send Debug Trace messages over PUART

`thermistor_gatt_db.c/h`

These files contain the GATT database definition.

`wiced_app_cfg.c`

This file contains the BLE stack configuration parameters.

`thermistor_temp.db.c/h`

These files contain the function to map resistance to temperature values of the thermistor using a lookup table (from the thermistor datasheet).

#### 4.1.2 Hardware Connections

All the jumpers should be in the default configuration as shown in [Table 3-5](#). The board should be connected to a PC using the Micro-B USB cable. Also, make sure that the Thermistor Enable (J14) jumper is in the correct position.

### 4.1.3 Flow Chart

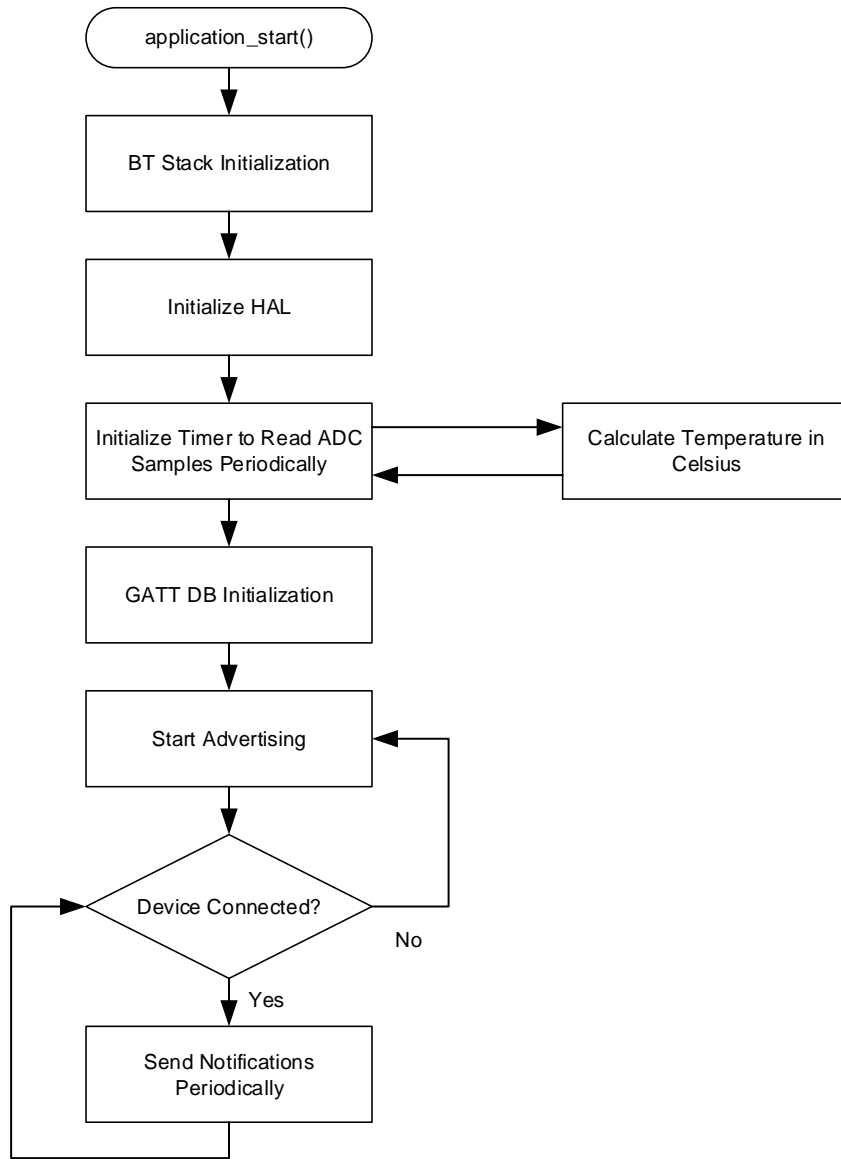


Figure 4-1. thermistor\_app Flowchart

### 4.1.4 Verify Output

To verify the output, follow these steps:

1. Program the kit with the **env\_sensing\_temp** example project. See [Build and Load a Sample Application](#) to understand how to program the board.
2. Open a Terminal Emulator program such as TeraTerm with the settings shown in [Figure 4-2](#). Note that the COM port will be different for each user. See [Windows](#) to find the PUART COM port number.

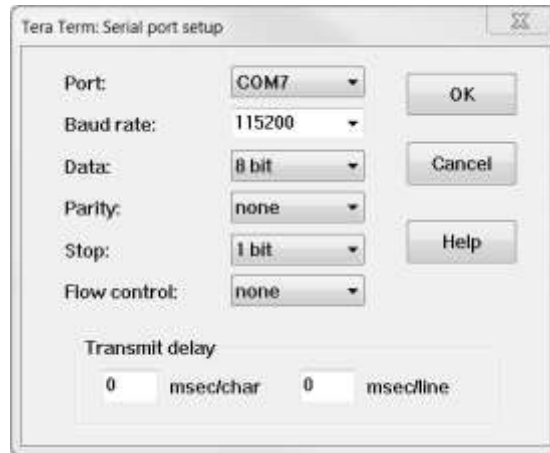


Figure 4-2. Terminal Emulator settings

3. You will see the resistance of the thermistor and the equivalent temperature at an interval of five seconds as shown [Figure 4-3](#).
4. If you connect to the device using a suitable BLE client (such as a smartphone running an app that supports the ESS profile) you will see that the temperature value is sent to the client at an interval of five seconds. If no client is connected, you will see a “Connection is not up” message instead.

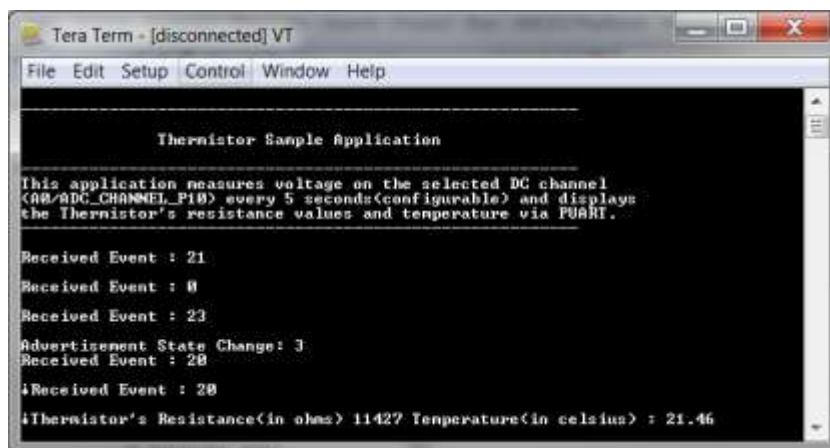


Figure 4-3. env\_sensing\_temp output

## 5 Hardware

This chapter describes the CYW920719Q40EVB-01 EVB hardware and its different blocks, such as reset control, Arduino-compatible headers, and module connectors.

The schematics for the Base Board and Carrier Module can be found in the following path of WICED Studio Project Explorer:

`\\20719-B1_Bluetooth\doc\CYW920719Q40EVB_01-CarrierBoard-Schematic.pdf`

`\\20719-B1_Bluetooth\doc\CYW920719Q40EVB_01-BaseBoard-Schematic.pdf`

### 5.1 Carrier Module

The base board of the CYW920719Q40EVB-01 kit is designed to be modular so that many devices can be used with the same base board. The actual device (CYW20719 in this case) is on the carrier module. The carrier module interface is a generic interface that can be used across many devices. See [Appendix A](#) for a detailed interface description. The Bluetooth antenna is printed on the carrier module PCB. The UART signals and GPIOs are brought out to the module pins to interface with the base board.

#### 5.1.1 CYW20719

The CYW920719Q40EVB-01 kit employs the CYW20719B1KUMLG part which is a 40-QFN package. This board uses all 16 LHL I/Os provided by the 40-QFN package. This board utilizes the internal power amplifier for the radio. The external power amplifier feature is not enabled on this board due to a shortage of GPIOs.

#### 5.1.2 Antenna

A PCB antenna is printed on the carrier module. This antenna is matched to 50Ω when the CYW920719Q40EVB-01 kit is sitting on a table. [Table 5-1](#) lists the S11 measurement. See AN91445 – Antenna Design and RF Layout Guidelines for additional information.

| 2402 MHz | 2441 MHz | 2480 MHz |
|----------|----------|----------|
| -13.2 dB | -14.6 dB | -12.6 dB |

*Table 5-1. Antenna S11 measurement*

#### 5.1.3 Crystal

The CYW20719 carrier module has two crystals onboard. A 24 MHz crystal (XTAL) is the main crystal. This XTAL must have an accuracy of +/-20 ppm as defined by the Bluetooth specification. A 32.768 kHz crystal provides accurate timing during low power operation. See the CYW20719 datasheet for crystal requirements.

## 5.2 Base Board

The CYW9BTWCDEVAL1 is a baseboard on which the CYW20719 Carrier Module is soldered.

## 5.3 Serial Communication between CYW20719 and FTDI USB-Serial Device

The onboard FTDI device is a two-channel USB-Serial converter. The USB-serial pins of the FTDI device are hard-wired to the HCI UART and PUART pins of the CYW20719 device. An EEPROM device is connected to the FTDI USB-Serial device to store its configuration.

## 5.4 Power

The power supply system on this board is versatile, allowing the input supply to come from the following sources:

- 1.8 V or 3.3 V from the onboard USB connector
- 3 V from a coin cell battery

Figure 5-1 shows the power architecture of the board..

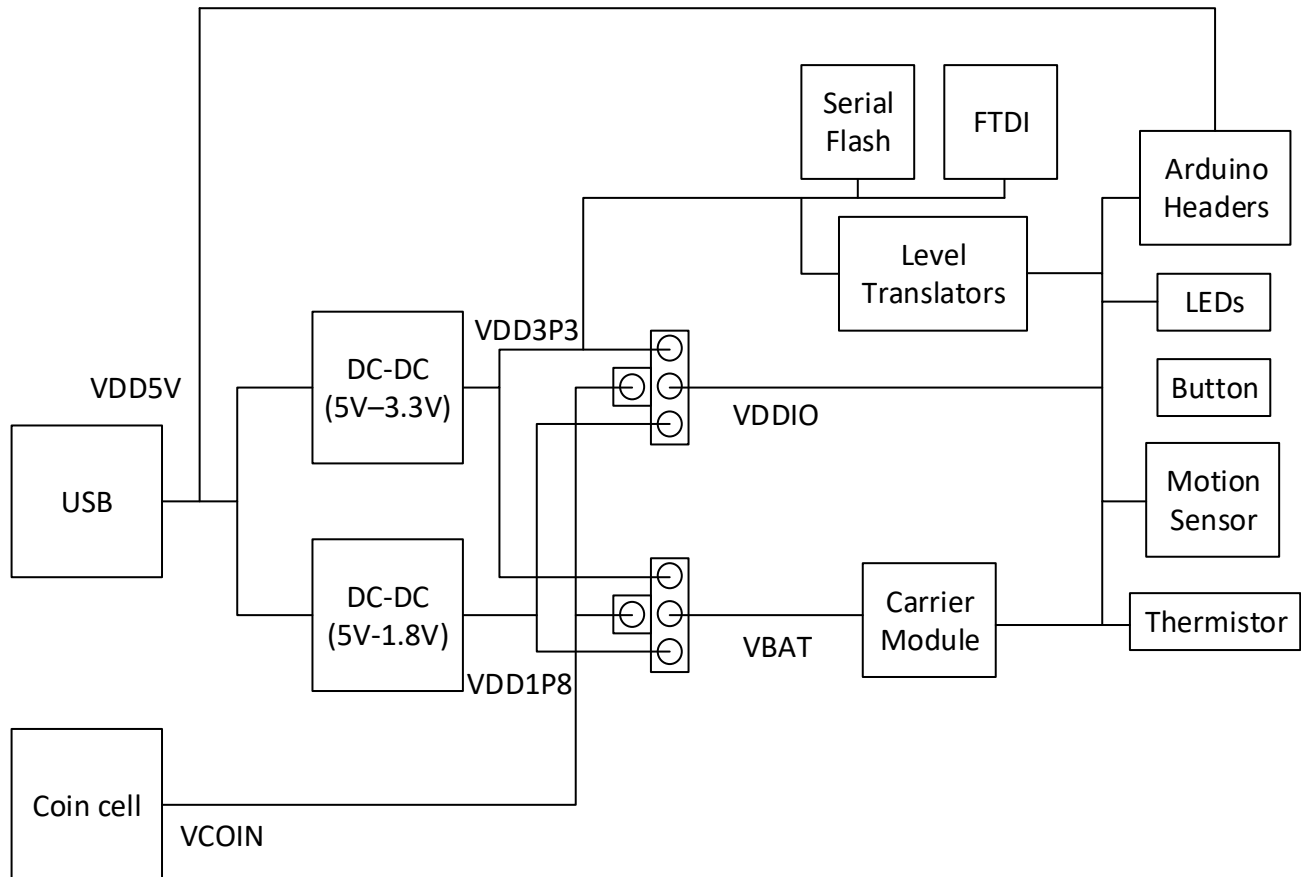


Figure 5-1. Power Architecture

Power supply options can be selected via jumper settings on J7 and J8. See [Table 3-2](#) and [Table 3-3](#) for the different jumper settings for J7 and J8.

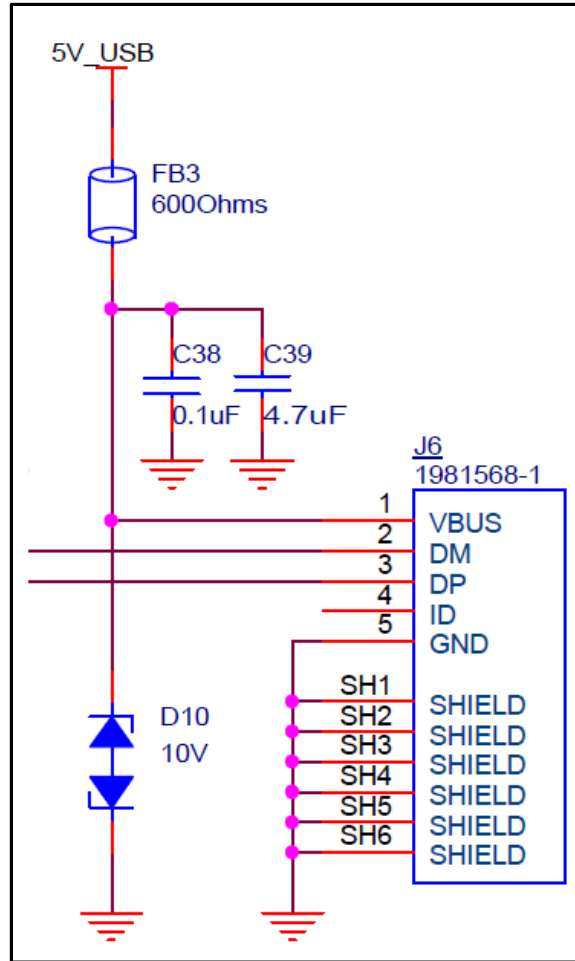


Figure 5-2. 5 V Supply from USB

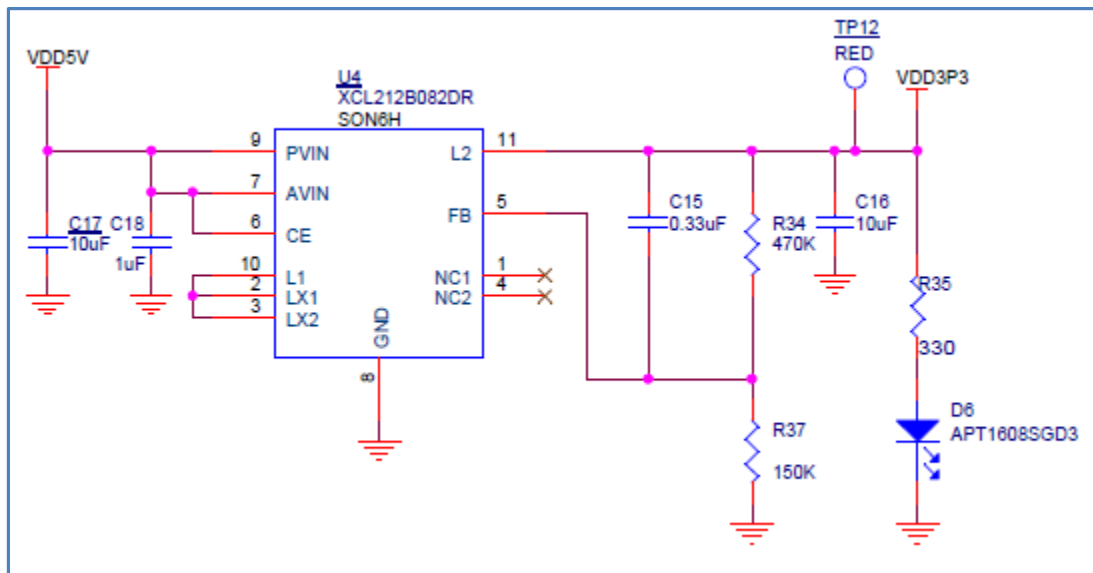


Figure 5-3. 3.3 V Regulator Circuit

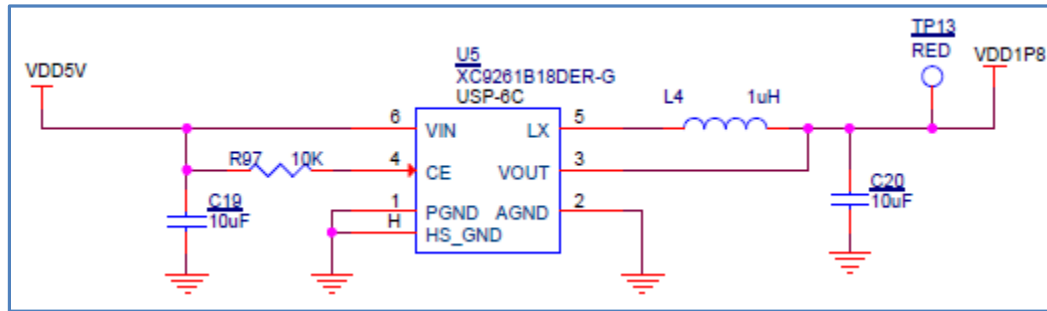


Figure 5-4. 1.8 V Regulator Circuit

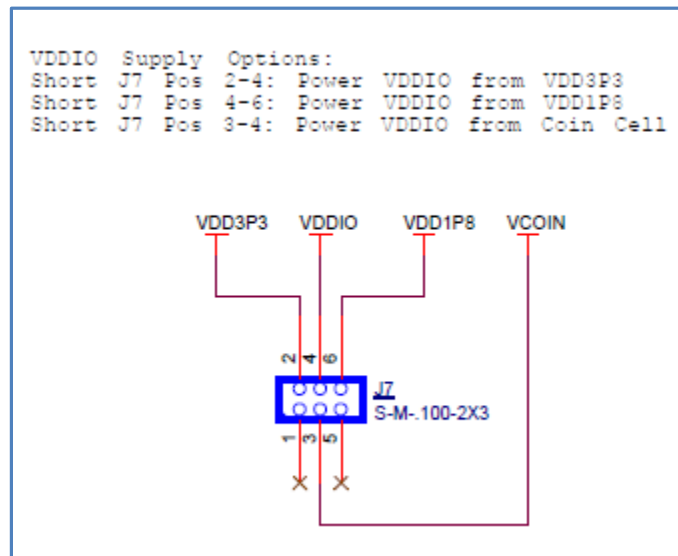


Figure 5-5. Jumper J7 for VDDIO Selection

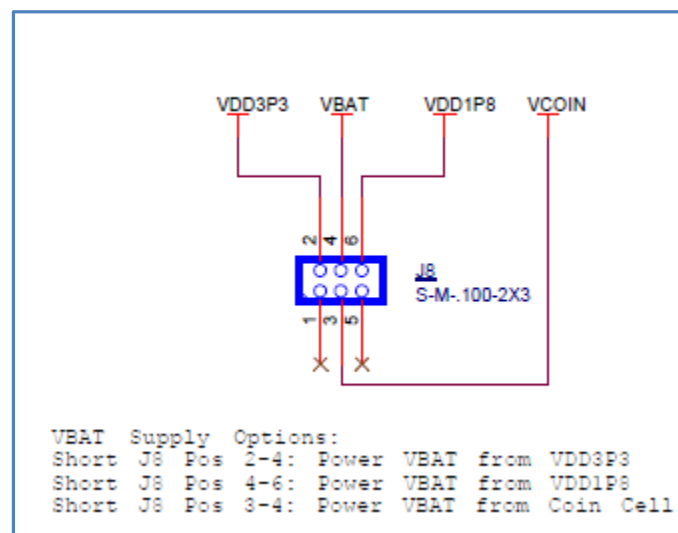


Figure 5-6. Jumper J8 for VBAT Selection

**Note:** VBAT for CYW20719 should not be powered at 1.8V even if the option exists as the minimum allowed voltage for VBAT is 1.9V. If VBAT needs to be powered at 1.9V then the onboard regulator should be changed to supply 1.9V.

**Note:** The board also has jumper J16 to select the power source for the VPA\_BT power domain. However, this board does not use the VPA\_BT power domain, so that jumper selection has no effect.

## 5.5 RESET

The reset circuit on the board consists of a Reset button (SW2) connected to ground and a voltage detector reset IC. The RESET\_N pin on the CYW20719 should be released 35 ms or more after the VDDIO supply voltage has stabilized. The voltage detector IC is used to provide this delay.

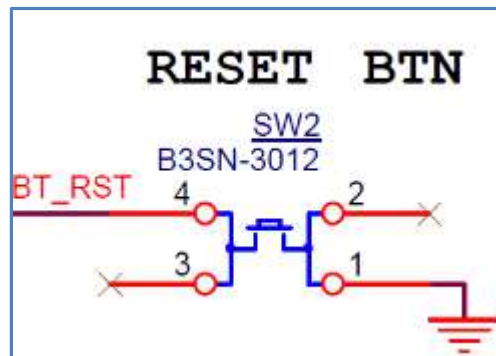


Figure 5-7. Reset Button Circuit

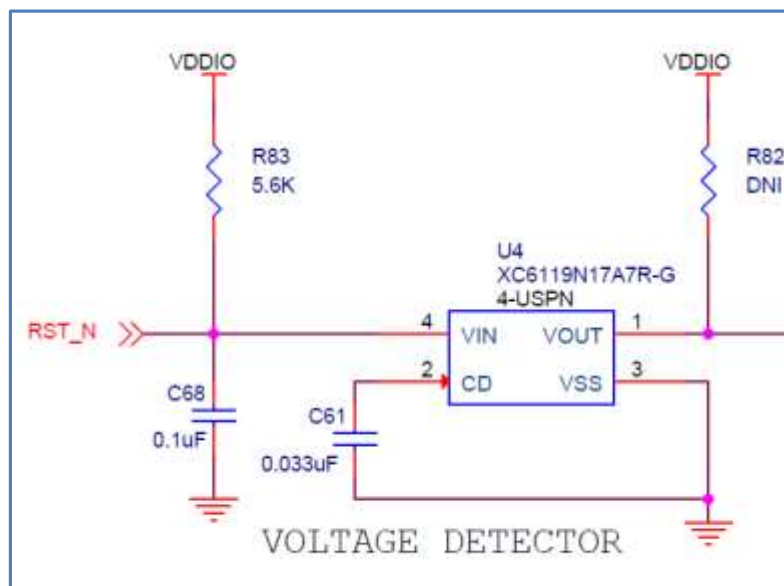


Figure 5-8. Voltage detector circuit

In the default configuration of R72 shown below (position A-C), the Reset button (SW2) will also toggle the Arduino reset pin which can be used to reset devices on an Arduino shield. The non-default position (B-C) for R72 is not used on this kit.

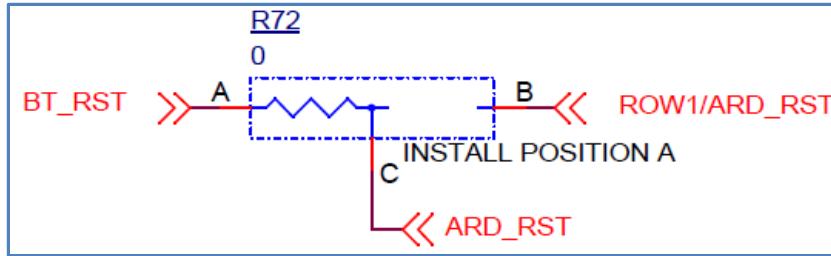


Figure 5-9 Reset to Arduino Header

## 5.6 Thermistor

The thermistor circuit is a simple voltage divider circuit consisting of an NTC thermistor that is 10 K $\Omega$  at 25°C and a fixed 10 K $\Omega$  resistor. The divided voltage is fed in to A0 and the voltage level determines the ambient temperature. The part number of the thermistor used on this kit is PN NCU15W104F60RC.

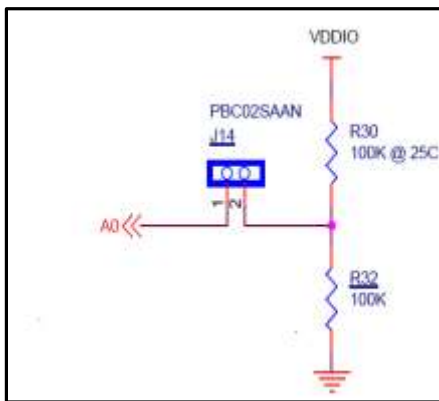


Figure 5-10. Thermistor Circuit

## 5.7 Motion Sensor

The CYW920719Q40EVB-01 has an onboard 9-axis motion sensor (LSM9DS1). It has three acceleration channels, three angular rate channels, and three magnetic field channels. The CYW20719 device communicates with this channel using the I<sup>2</sup>C protocol. The I<sup>2</sup>C address to access the accelerometer and gyroscope is 0xD4 and to access the magnetometer is 0x38. The sensor works at 100 kbps and 400 kbps. See the LSM9DS1 datasheet to understand how to access the registers.

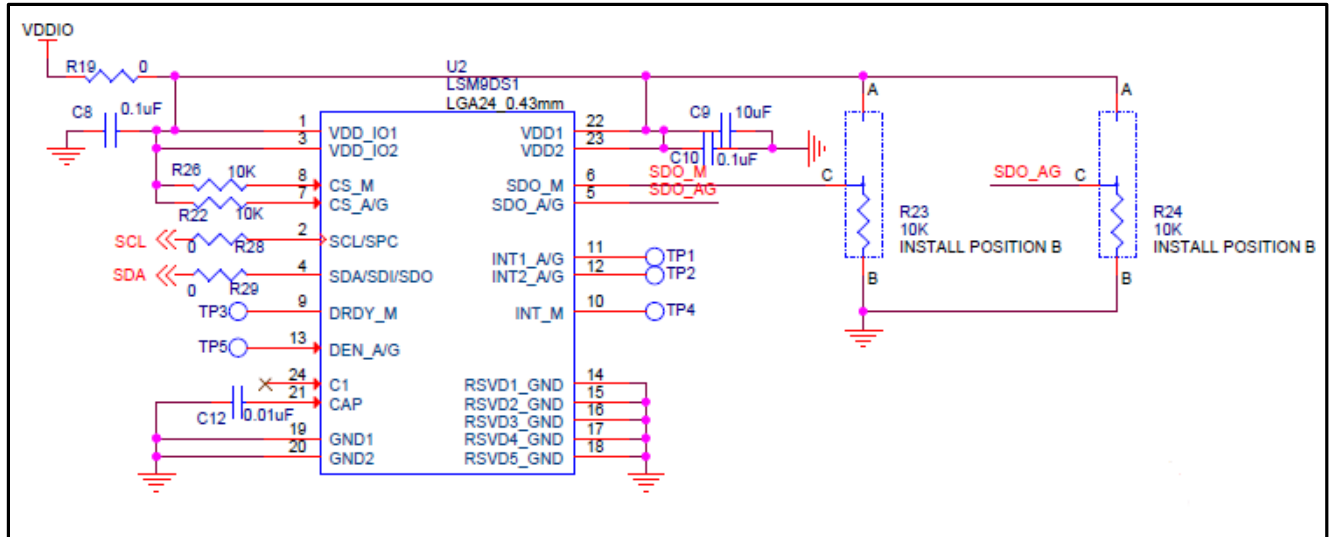


Figure 5-11. Motion Sensor Circuit

## 5.8 LED

There are two onboard user LEDs on this kit. LED1 is controlled by P28. LED2 is controlled by P26. You can enable or disable the LEDs using DIP switch SW4. See [Table 3-7](#) for DIP switch configuration. APT1608SGD3(Green) requires a typical voltage of at least 2.2V (can be as high as 2.5V) to operate. LTST-C190CKT(Red) requires a typical voltage of at least 1.8V (can be as high as 2.4V) to operate. Please make sure that VDDIO is 3.3V for the Green LED to function properly.

**Note:** The LEDs are initialized by default on bootup. See the file `20719-B1_Bluetooth/platforms/CYW920719Q40EVB_01/wiced_platform.h` for the LED enumeration.

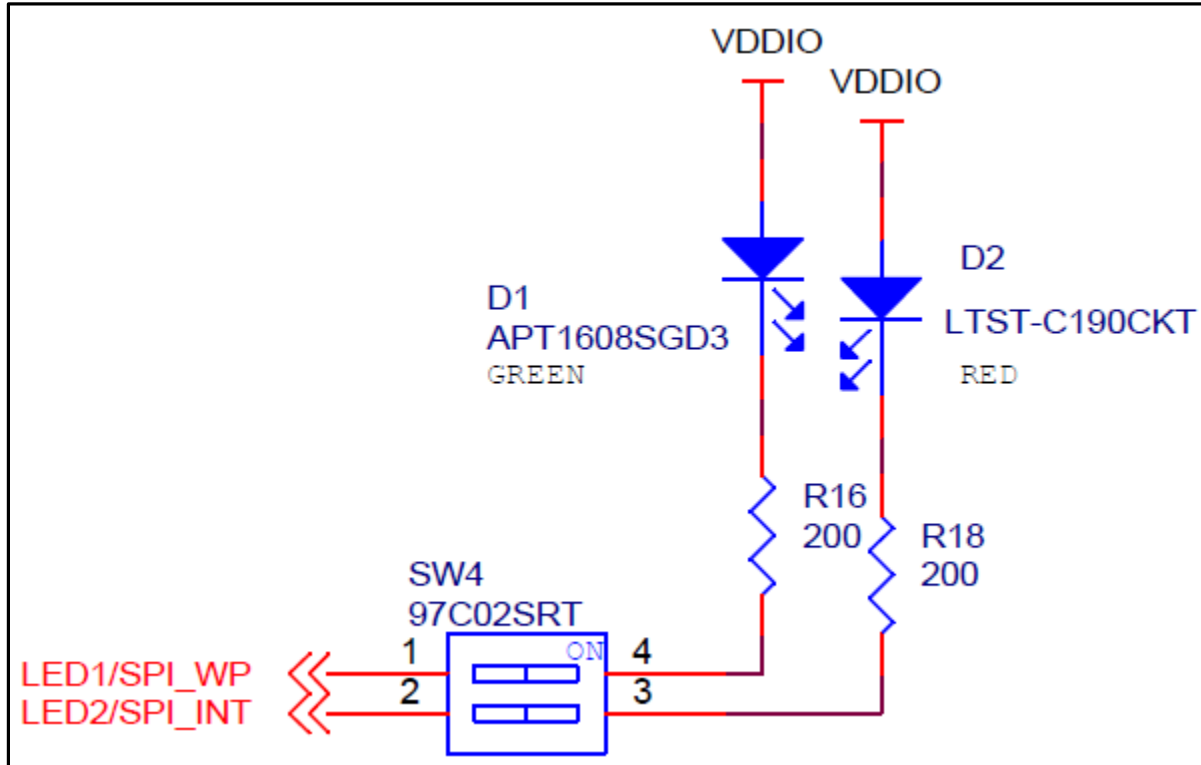


Figure 5-12. LED Circuit

## 5.9 Push Buttons

The CYW920719Q40EVB-01 has a reset button, recovery button, and a user button. See the [RESET](#) section for details on the Reset button. See the [Build and Load a Sample Application](#) section for details on using the recovery button during kit programming. One user button (SW3) is connected to the P0 pin of the CYW20719 device.

**Note:** The user button is initialized by default on bootup. See the `20719-B1_Bluetooth/platforms/CYW920719Q40EVB_01/wiced_platform.h` file for button enumeration.

## 5.10 Shared Pins

Some GPIOs on the CYW20719 device are used for multiple functionalities on this Evaluation Board. [Table 5-2](#) lists the shared GPIOs and explains how to switch their functionality. The column Functionality 1 is the default functionality initialized by WICED platform. The Change column shows the changes required in `20719-B1_Bluetooth/platforms/CYW920719Q40EVB_01/wiced_platform_pin_config.c` to switch to Functionality 2.

| GPIO | Functionality 1 | Functionality 2 | Change                                                                                                                     |
|------|-----------------|-----------------|----------------------------------------------------------------------------------------------------------------------------|
| P00  | Button          | Arduino D4      | Comment out the WICED_PLATFORM_BUTTON_1 configuration                                                                      |
| P26  | LED2            | Arduino D5      | Comment out the WICED_PLATFORM_LED_1 configuration                                                                         |
| P28  | SPI_MOSI        | LED1            | Uncomment WICED_PLATFORM_LED_2 configuration and change PLATFORM_GPIO_11 configuration to WICED_GPIO from WICED_SPI_1_MOSI |

*Table 5-2. CYW920719Q40EVB\_01 Shared GPIOs*

## Appendix A. CYW20719 Device IO Mapping

Table A.1 maps the CYW20719 device IOs to headers and sensors on the baseboard. It also lists the carrier module interface definition.

| Carrier Module Pin Number | Carrier Module Pin Name | CYW20719 Pin | Base Board connection 1 | Base Board connection 2 | Base Board connection 3 | WICED Enum Name |
|---------------------------|-------------------------|--------------|-------------------------|-------------------------|-------------------------|-----------------|
| HS5                       | GND_HS5                 |              |                         |                         |                         |                 |
| 63                        | BATT_MON                | NC           |                         | J1.9                    |                         |                 |
| 64                        | RSVD10                  | NC           |                         | J2.10                   |                         |                 |
| 65                        | RSVD9                   | NC           |                         | J2.9                    |                         |                 |
| 66                        | RSVD8                   | NC           |                         | J2.8                    |                         |                 |
| 67                        | RSVD7                   | NC           |                         | J2.7                    |                         |                 |
| 68                        | GND_68                  | Ground       | Ground                  |                         |                         |                 |
| 69                        | BT_UART_RXD             | BT_UART_RX   |                         | J5.1                    |                         |                 |
| 70                        | BT_UART_TXD             | BT_UART_TX   |                         | J5.3                    |                         |                 |
| 71                        | BT_UART_RTS_N           | BT_UART_RTS  |                         | J5.7                    |                         |                 |
| 72                        | BT_UART_CTS_N           | BT_UART_CTS  | SW1 (Recovery Button)   | J5.5                    |                         |                 |
| 73                        | GND_73                  | Ground       | Ground                  |                         |                         |                 |
| 74                        | MC_BIAS                 | NC           | NC                      |                         |                         |                 |
| 75                        | MCP                     | NC           | NC                      |                         |                         |                 |
| 76                        | MICN                    | NC           | NC                      |                         |                         |                 |
| 77                        | MC_AVDD                 | NC           | VDDIO                   |                         |                         |                 |
| 78                        | GND_78                  | Ground       | Ground                  |                         |                         |                 |
| 79                        | EXT_LPO                 | EXT_LPO      | RTC                     |                         |                         |                 |
| 80                        | GND_80                  | Ground       | Ground                  |                         |                         |                 |
| HS6                       | GND_HS6                 | Ground       | Ground                  |                         |                         |                 |
| 81                        | COL7/SPI_CS/D10         | P7           |                         | J3.8                    |                         | WICED_P07       |
| 82                        | COL8/SPI_MISO/D12       | P1           |                         | J3.6                    |                         | WICED_P01       |
| 83                        | ROW2/DMIC_CLK/D4        | P0           |                         | J4.4                    |                         | WICED_P00       |
| 84                        | ROW3/DMIC_DATA/D5       | P26          |                         | J4.3                    |                         | WICED_P26       |
| 85                        | ROW4/PCM_OUT/I2S_D0/D6  | P2           |                         | J4.2                    |                         | WICED_P02       |
| 86                        | RSVD6                   | Reserved     |                         | J2.6                    |                         |                 |
| 87                        | GND_87                  | Ground       | Ground                  |                         |                         |                 |
| 88                        | ROW5/PCM_IN/I2S_DI/D7   | P4           |                         | J4.1                    |                         | WICED_P04       |
| 89                        | ROW6/SPI_MOSI/D11       | P28          |                         | J3.7                    |                         | WICED_P28       |
| 90                        | ROW7/SPI_CLK/D13        | P38          |                         | J3.5                    |                         | WICED_P38       |
| 91                        | RSVD5                   | Reserved     |                         | J2.5                    |                         |                 |
| 92                        | COL0/A0                 | P10          | J14.1 Jumper            | J12.1                   | Thermistor              | WICED_P10       |
| 93                        | COL6/MCLK/D8            | P6           |                         | J3.10                   |                         | WICED_P06       |

| Carrier Module Pin Number | Carrier Module Pin Name | CYW20719 Pin | Base Board connection 1 | Base Board connection 2 | Base Board connection 3 | WICED Enum Name |
|---------------------------|-------------------------|--------------|-------------------------|-------------------------|-------------------------|-----------------|
| 94                        | GND_94                  | Ground       | Ground                  |                         |                         |                 |
| 95                        | BT_USB_DP               | NC           |                         | J9.3                    |                         |                 |
| 96                        | BT_USB_DM               | NC           |                         | J9.2                    |                         |                 |
| HS7                       | GND_HS7                 | Ground       | Ground                  |                         |                         |                 |
| 97                        | VPA_BT                  | NC           | VPA_BT                  |                         |                         |                 |
| 98                        | VBATT                   | VBAT         | VBATT                   |                         |                         |                 |
| 99                        | GND_99                  | Ground       | Ground                  |                         |                         |                 |
| 100                       | VDDIO                   | VDDIO        | VDDIO                   | J15.1                   |                         |                 |
| 101                       | BT_REG_ON               | NC           | NC                      |                         |                         |                 |
| 102                       | COL1/A1                 | NC           |                         | J12.2                   |                         |                 |
| 103                       | PUART_CTS_N/COL2/A2     | NC           |                         | J12.3                   |                         |                 |
| 104                       | PUART_RTS_N/COL3/A3     | NC           |                         | J12.4                   |                         |                 |
| 105                       | COL4/PCM_CLK/I2S_CLK/A4 | P16          |                         | J12.5                   |                         | WICED_P16       |
| 106                       | COL5/PCM_SYNC/I2S_WS/A5 | P17          |                         | J12.6                   |                         | WICED_P17       |
| 107                       | GND_107                 | Ground       |                         |                         |                         |                 |
| 108                       | LED4/D9                 | NC           |                         | J3.9                    |                         |                 |
| 109                       | LED3/D3                 | NC           |                         | J4.5                    |                         |                 |
| 110                       | ROW0/BUTTON/D2          | P0           | SW3 (User Button)       | J4.6                    |                         | WICED_P00       |
| 111                       | ROW1/ARD_RST            | NC           |                         | J11.3                   |                         |                 |
| 112                       | SCL                     | P25          |                         | J3.1                    | Motion sensor           | WICED_P25       |
| 113                       | IR_TX                   | NC           | NC                      |                         |                         |                 |
| 114                       | BT_RST                  | RST_N        | SW2 (RST Button)        | J13.10                  |                         |                 |
| HS8                       | GND_HS8                 | Ground       | Ground                  |                         |                         |                 |
| 115                       | SDA                     | P29          |                         | J3.2                    | Motion sensor           | WICED_P29       |
| 116                       | LED2/SPI_INT            | P26          | SW4.2 DIP Switch        | J1.2                    |                         | WICED_P26       |
| 117                       | LED1/SF_WP              | P28          | SW4.1 DIP Switch        | J1.1                    |                         | WICED_P28       |
| 118                       | PUART_TXD/D1            | P33          |                         | J13.4, J4.7             |                         | WICED_P33       |
| 119                       | PUART_RXD/D0            | P34          |                         | J13.2, J4.8             |                         | WICED_P34       |
| 120                       | GND_120                 | Ground       | Ground                  |                         |                         |                 |
| 121                       | RSVD4                   | Reserved     |                         | J2.4                    |                         |                 |
| 122                       | RSVD3                   | Reserved     |                         | J2.3                    |                         |                 |
| 123                       | RSVD2                   | Reserved     |                         | J2.2                    |                         |                 |
| 124                       | RSVD1                   | Reserved     |                         | J2.1                    |                         |                 |
| 125                       | GND_125                 | Ground       | Ground                  |                         |                         |                 |
| 126                       | STATUS                  | NC           |                         | J1.5                    |                         |                 |
| 127                       | TX_REQ/BT_SECL_OUT      | NC           |                         | J1.6                    |                         |                 |
| 128                       | TX_CONF/BT_SECI_IN      | NC           |                         | J1.7                    |                         |                 |

| Carrier Module Pin Number | Carrier Module Pin Name | CYW20719 Pin | Base Board connection 1 | Base Board connection 2 | Base Board connection 3 | WICED Enum Name |
|---------------------------|-------------------------|--------------|-------------------------|-------------------------|-------------------------|-----------------|
| 129                       | BT_HOST_WAKE            | HOST_WAKE    |                         | J1.4                    |                         |                 |
| 130                       | BT_DEV_WAKE             | NC           |                         | J1.3                    |                         |                 |

Table A-1. Carrier Module Interface and Pin Connections

## Document Revision History

Document Title: CYW920719Q40EVB-01 Evaluation Board User Guide

Document Number: 002-22816

| Revision | ECN     | Issue Date | Description of Change                         |
|----------|---------|------------|-----------------------------------------------|
| **       | 6020980 | 01/16/2018 | Initial release                               |
| *A       | 6049883 | 01/31/2018 | Minor updates and corrections                 |
| *B       | 6170618 | 05/10/2018 | Updates as per the feedback to CYW20735 guide |

## Worldwide Sales and Design Support

Cypress maintains a worldwide network of offices, solution centers, manufacturer's representatives, and distributors. To find the office closest to you, visit us at [Cypress Locations](#).

### Products

|                               |                                                                    |
|-------------------------------|--------------------------------------------------------------------|
| Arm® Cortex® Microcontrollers | <a href="http://cypress.com/arm">cypress.com/arm</a>               |
| Automotive                    | <a href="http://cypress.com/automotive">cypress.com/automotive</a> |
| Clocks & Buffers              | <a href="http://cypress.com/clocks">cypress.com/clocks</a>         |
| Interface                     | <a href="http://cypress.com/interface">cypress.com/interface</a>   |
| Internet of Things            | <a href="http://cypress.com/iot">cypress.com/iot</a>               |
| Memory                        | <a href="http://cypress.com/memory">cypress.com/memory</a>         |
| Microcontrollers              | <a href="http://cypress.com/mcu">cypress.com/mcu</a>               |
| PSoC                          | <a href="http://cypress.com/psoc">cypress.com/psoc</a>             |
| Power Management ICs          | <a href="http://cypress.com/pmics">cypress.com/pmics</a>           |
| Touch Sensing                 | <a href="http://cypress.com/touch">cypress.com/touch</a>           |
| USB Controllers               | <a href="http://cypress.com/usb">cypress.com/usb</a>               |
| Wireless Connectivity         | <a href="http://cypress.com/wireless">cypress.com/wireless</a>     |

### PSoC® Solutions

[PSoC 1](#) | [PSoC 3](#) | [PSoC 4](#) | [PSoC 5LP](#) | [PSoC 6 MCU](#)

### Cypress Developer Community

[Forums](#) | [WICED IOT Forums](#) | [Projects](#) | [Videos](#) | [Blogs](#)  
 | [Training](#) | [Components](#)

### Technical Support

[cypress.com/support](http://cypress.com/support)



Cypress Semiconductor  
 198 Champion Court  
 San Jose, CA 95134-1709

© Cypress Semiconductor Corporation, 2018. This document is the property of Cypress Semiconductor Corporation and its subsidiaries, including Spansion LLC ("Cypress"). This document, including any software or firmware included or referenced in this document ("Software"), is owned by Cypress under the intellectual property laws and treaties of the United States and other countries worldwide. Cypress reserves all rights under such laws and treaties and does not, except as specifically stated in this paragraph, grant any license under its patents, copyrights, trademarks, or other intellectual property rights. If the Software is not accompanied by a license agreement and you do not otherwise have a written agreement with Cypress governing the use of the Software, then Cypress hereby grants you a personal, non-exclusive, nontransferable license (without the right to sublicense) (1) under its copyright rights in the Software (a) for Software provided in source code form, to modify and reproduce the Software solely for use with Cypress hardware products, only internally within your organization, and (b) to distribute the Software in binary code form externally to end users (either directly or indirectly through resellers and distributors), solely for use on Cypress hardware product units, and (2) under those claims of Cypress's patents that are infringed by the Software (as provided by Cypress, unmodified) to make, use, distribute, and import the Software solely for use with Cypress hardware products. Any other use, reproduction, modification, translation, or compilation of the Software is prohibited.

TO THE EXTENT PERMITTED BY APPLICABLE LAW, CYPRESS MAKES NO WARRANTY OF ANY KIND, EXPRESS OR IMPLIED, WITH REGARD TO THIS DOCUMENT OR ANY SOFTWARE OR ACCOMPANYING HARDWARE, INCLUDING, BUT NOT LIMITED TO, THE IMPLIED WARRANTIES OF MERCHANTABILITY AND FITNESS FOR A PARTICULAR PURPOSE. No computing device can be absolutely secure. Therefore, despite security measures implemented in Cypress hardware or software products, Cypress does not assume any liability arising out of any security breach, such as unauthorized access to or use of a Cypress product. In addition, the products described in these materials may contain design defects or errors known as errata which may cause the product to deviate from published specifications. To the extent permitted by applicable law, Cypress reserves the right to make changes to this document without further notice. Cypress does not assume any liability arising out of the application or use of any product or circuit described in this document. Any information provided in this document, including any sample design information or programming code, is provided only for reference purposes. It is the responsibility of the user of this document to properly design, program, and test the functionality and safety of any application made of this information and any resulting product. Cypress products are not designed, intended, or authorized for use as critical components in systems designed or intended for the operation of weapons, weapons systems, nuclear installations, life-support devices or systems, other medical devices or systems (including resuscitation equipment and surgical implants), pollution control or hazardous substances management, or other uses where the failure of the device or system could cause personal injury, death, or property damage ("Unintended Uses"). A critical component is any component of a device or system whose failure to perform can be reasonably expected to cause the failure of the device or system, or to affect its safety or effectiveness. Cypress is not liable, in whole or in part, and you shall and hereby do release Cypress from any claim, damage, or other liability arising from or related to all Unintended Uses of Cypress products. You shall indemnify and hold Cypress harmless from and against all claims, costs, damages, and other liabilities, including claims for personal injury or death, arising from or related to any Unintended Uses of Cypress products.

Cypress, the Cypress logo, Spansion, the Spansion logo, and combinations thereof, WICED, PSoC, CapSense, EZ-USB, F-RAM, and Traveo are trademarks or registered trademarks of Cypress in the United States and other countries. For a more complete list of Cypress trademarks, visit [cypress.com](http://cypress.com). Other names and brands may be claimed as property of their respective owners.

## Looking for pricing, stock, or lifecycle information?

Click below to explore more details on WIN SOURCE:

 [View CYW920719Q40EVB-01 on WIN SOURCE](#)

 [Infineon Technologies](#) Information

## Optimize Your Supply Chain with WIN SOURCE Solutions

-  Global Sourcing Solution
-  Obsolete Management
-  Cost Control Management
-  Shortage Management
-  Alternative Solution
-  Excess Inventory Management