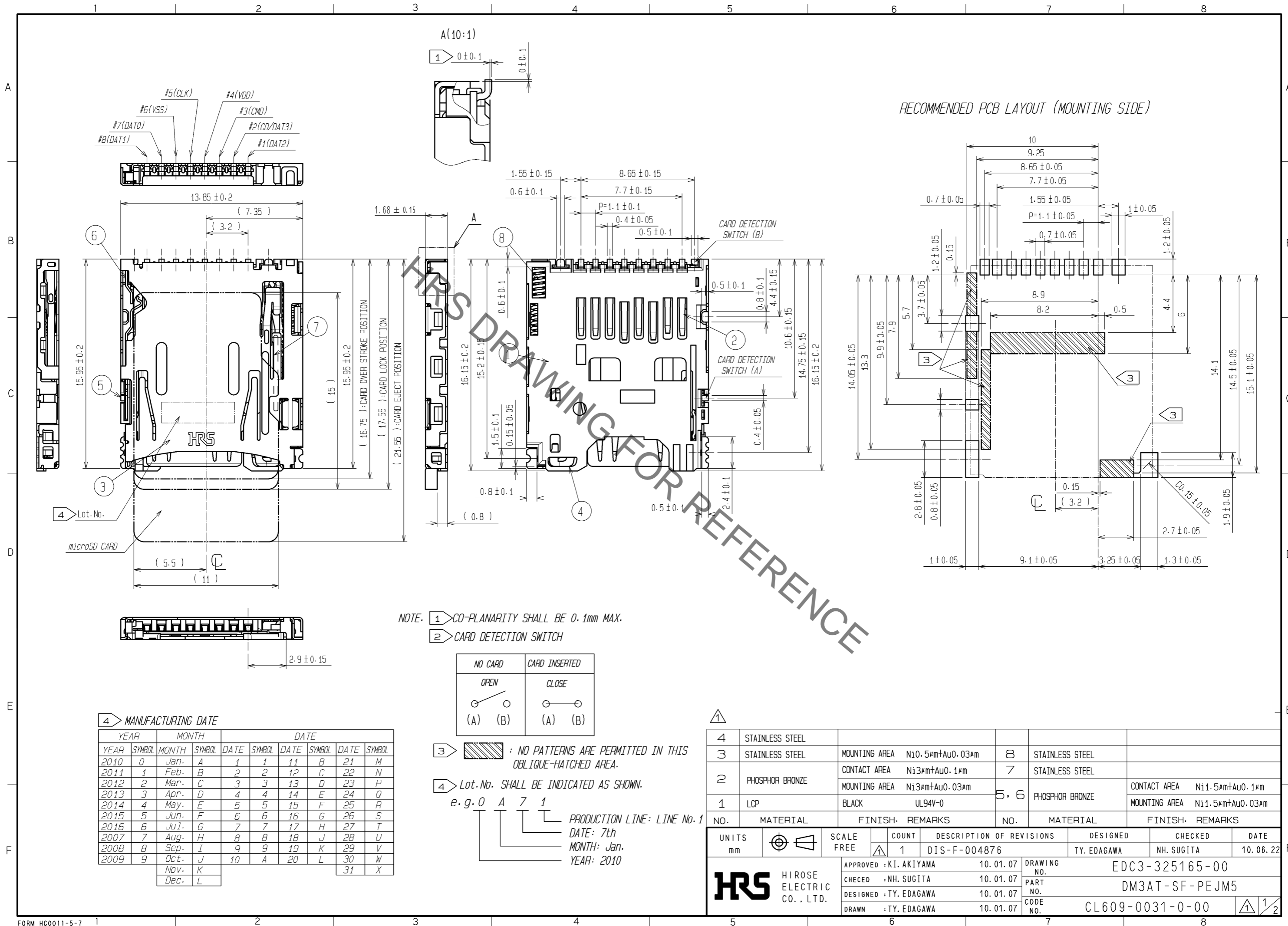




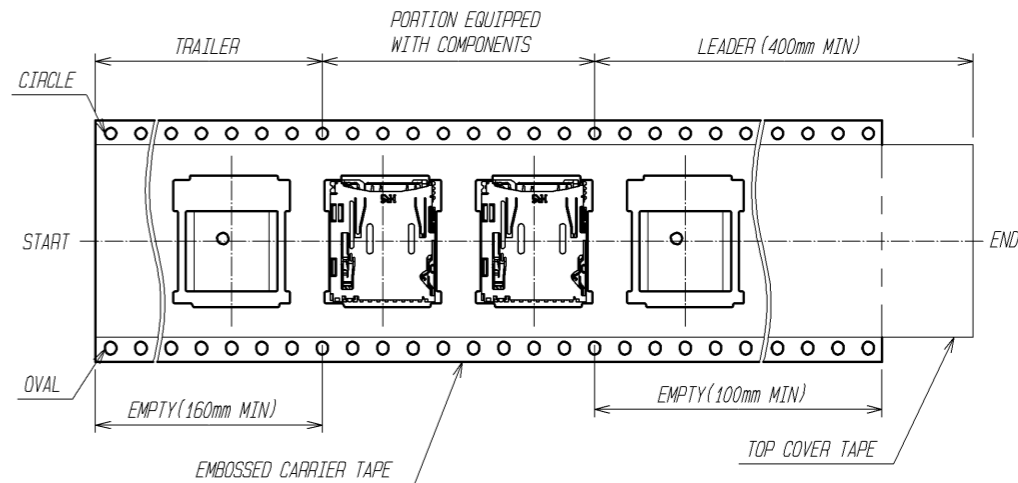
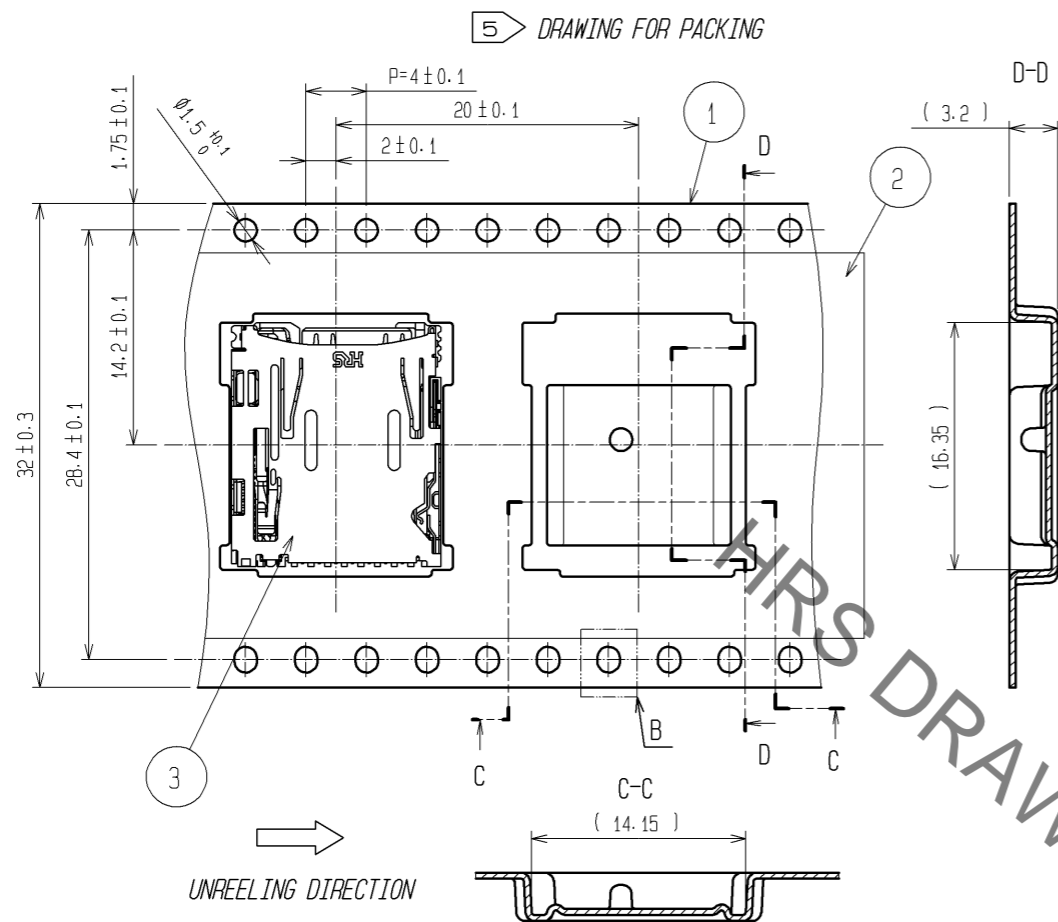
**THE DATASHEET OF  
DM3AT-SF-PEJM5**



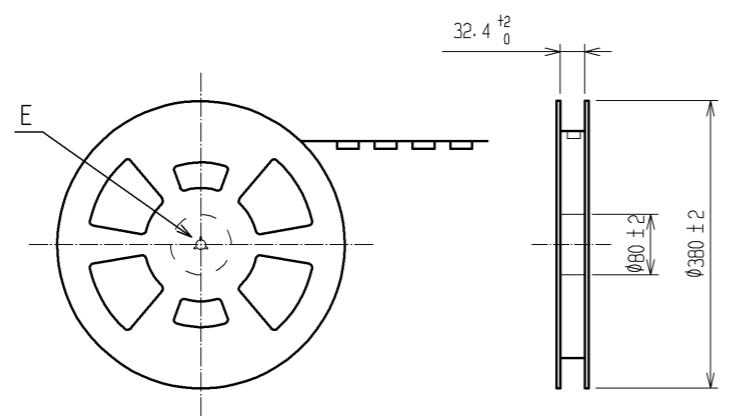
Sep.1.2019 Copyright 2019 HIROSE ELECTRIC CO., LTD. All Rights Reserved.  
 In case of consideration for using Automotive equipment / device which demand high reliability, kindly contact our sales window correspondents.



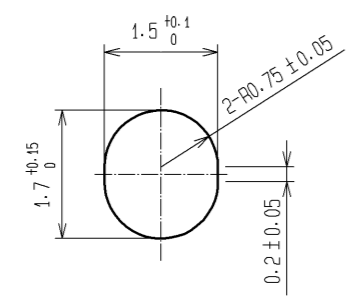
Sep.1.2019 Copyright 2019 HIROSE ELECTRIC CO., LTD. All Rights Reserved.  
 In case of consideration for using Automotive equipment / device which demand high reliability, kindly contact our sales window correspondents.



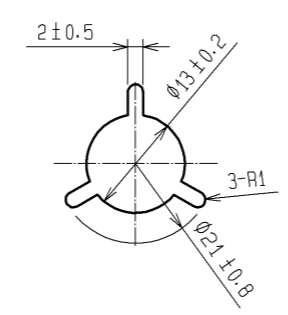
DETAIL OF REEL (1:10)



B(10:1)



E(1:1)



HRS DRAWING FOR REFERENCE

NOTE. 5 DRAWING TYPE: TAPE AND REEL. 1500PCS PER REEL.  
 6 PLEASE REFER TO TECHNICAL SPECIFICATION : ETAD-F0345  
 \*DM3AT SERIES PRODUCT INFORMATION AND HANDLING INSTRUCTIONS\*  
 FOR THE HANDLING OF THE PRODUCT.

NO.	MATERIAL	FINISH	REMARKS
3	(CONNECTORS)		
2	POLYESTER		
1	PS		

UNITS	SCALE	COUNT	DESCRIPTION OF REVISIONS	DESIGNED	CHECKED	DATE		
mm	2:1	1	DIS-F-004876	TY. EDAGAWA	NH. SUGITA	10.06.22		
APPROVED : KI. AKIYAMA			10.01.07	DRAWING NO. EDC3-325165-00				
CHECKED : NH. SUGITA			10.01.07	PART NO. DM3AT-SF-PEJM5				
DESIGNED : TY. EDAGAWA			10.01.07	CODE NO. CL609-0031-0-00				
DRAWN : TY. EDAGAWA			10.01.07	<table border="1" style="float: right;"> <tr> <td>1</td> <td>2</td> </tr> </table>			1	2
1	2							

## Looking for pricing, stock, or lifecycle information?

Click below to explore more details on WIN SOURCE:

- [⊖ View DM3AT-SF-PEJM5 on WIN SOURCE](#)
- [⊖ Hirose Electric Co Ltd Information](#)

## Optimize Your Supply Chain with WIN SOURCE Solutions

- ✓ Global Sourcing Solution
- ✓ Obsolete Management
- ✓ Cost Control Management
- ✓ Shortage Management
- ✓ Alternative Solution
- ✓ Excess Inventory Management