

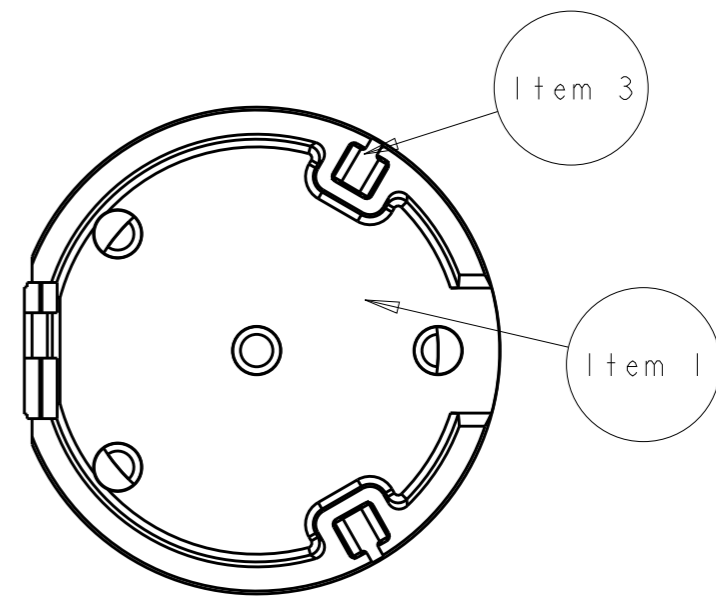
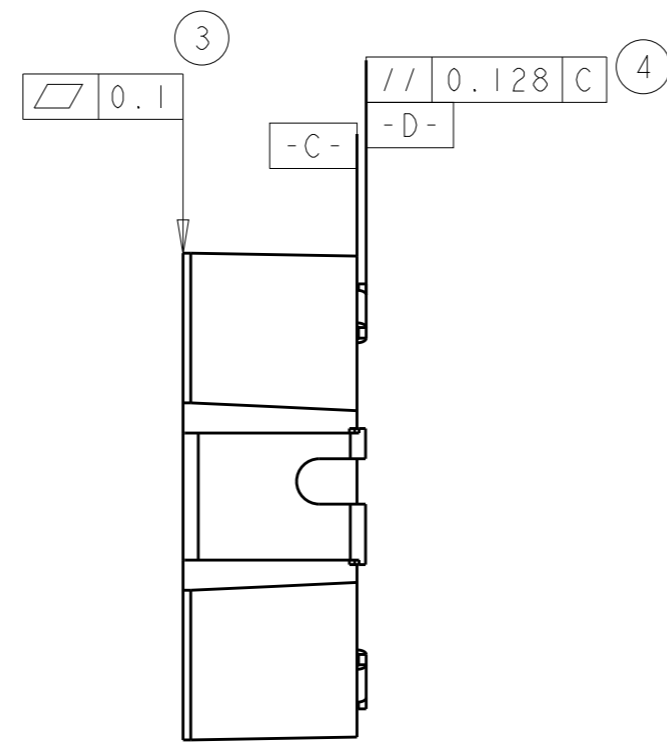
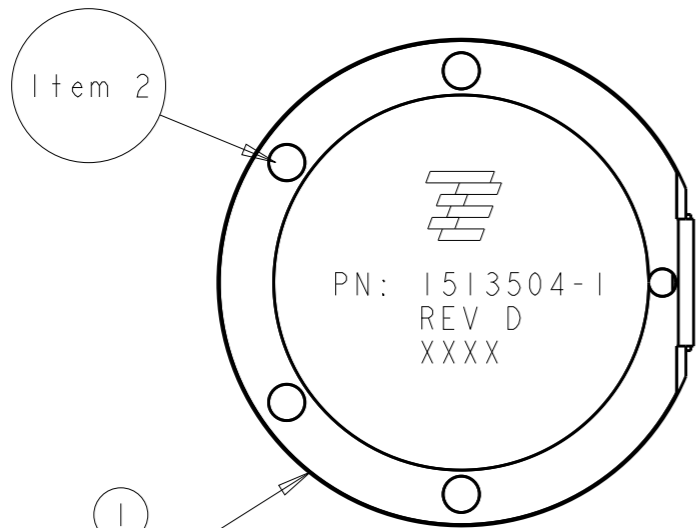


**THE DATASHEET OF**  
**1513504-1**

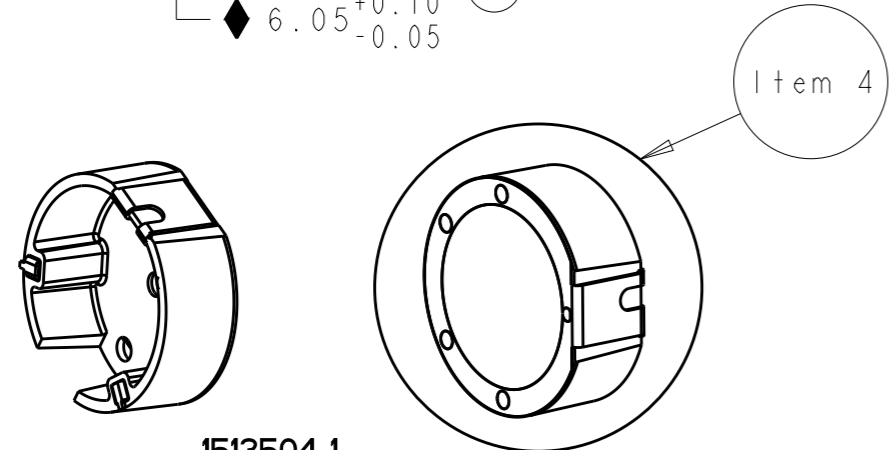
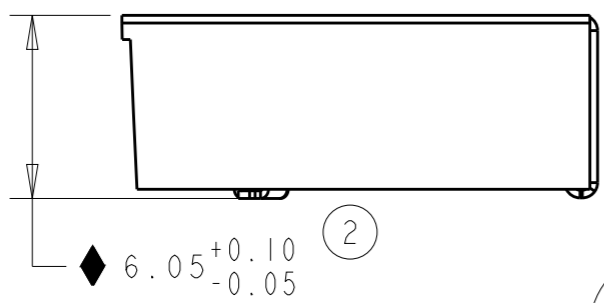


THIS DRAWING IS UNPUBLISHED. RELEASED FOR PUBLICATION 20  
 © COPYRIGHT 20 BY - ALL RIGHTS RESERVED.

LOC	DIST	REVISIONS					
		P	LTR	DESCRIPTION	DATE	DWN	APVD
HQ	00		D1	REVISED PER ECO-11-005027	12MAR2011	RK	HMR
			D2	REV PER ECO-14-008668	11JUN2014	KF	PG



◆  $\varnothing 16.00 \pm 0.1$



1513504-1  
SCALE 2:1

◆ ONGOING STATISTICAL PROCESS CONTROL REQUIRED (TOTAL 2 PCS.)

NOTES:

- Material - LCP DuPont Zenite 6130L, 30% glass filled, black color
- General tolerance block applies unless otherwise specified.
- Parts are compliant to RoHS standards per TE CONNECTIVITY standard TEC-138-702
- Part will be identified with part number, rev letter, TE logo and 4 digit date code. 1st two digits for the year and the 2nd two digits for the week.
- Consult TE CONNECTIVITY data sheet 1513504

THIS DRAWING IS A CONTROLLED DOCUMENT.		DWN DJL 13FEB2006	TE Connectivity				
DIMENSIONS: mm		CHK -					
TOLERANCES UNLESS OTHERWISE SPECIFIED:		APVD -	NAME Antenna Bluetooth/WLAN Assembly 1513504-1				
0 PLC ±0.10 1 PLC ±0.10 2 PLC ±0.05 3 PLC ±0.05 4 PLC ±0.01 ANGLES ±1°		PRODUCT SPEC -					
MATERIAL -	FINISH -	APPLICATION SPEC -	SIZE A3	CAGE CODE 00779	DRAWING NO C=1513504	RESTRICTED TO -	
		WEIGHT -	CUSTOMER DRAWING		SCALE 4:1	SHEET 1 OF 2	REV D2

4

3

2

1

THIS DRAWING IS UNPUBLISHED.

RELEASED FOR PUBLICATION

20

LOC

DIST

REVISIONS

© COPYRIGHT 20 BY -

ALL RIGHTS RESERVED.

HQ

00

P

LTR

DESCRIPTION

DATE

DWN

APVD

SEE SHEET 1

SECTION Z-Z

(3.35)

(6.35)

(2.00)

(4.00)

(1.75)

(11.50)

(24.00)

(12.00)

(24.00)

( $\varnothing 1.50$ ) TYP

Z

Z

1 ORIENT PARTS AS SHOWN.

2. PARTS ARE COMPLIANT TO RoHS STANDARDS PER TE CONNECTIVITY STANDARD TEC-138-702.

3. ALL INFORMATION ON THIS DRAWING IS CONFIDENTIAL AND PROPRIETARY TO TE CONNECTIVITY.

THIS DRAWING IS A CONTROLLED DOCUMENT.

DWN DJL 13FEB2006

CHK -

APVD -

PRODUCT SPEC -

APPLICATION SPEC -

WEIGHT -

CUSTOMER DRAWING

DIMENSIONS:

mm

TOLERANCES UNLESS OTHERWISE SPECIFIED:

0 PLC	$\pm 0.10$
1 PLC	$\pm 0.10$
2 PLC	$\pm 0.05$
3 PLC	$\pm 0.05$
4 PLC	$\pm 0.01$
ANGLES	$\pm 1^\circ$

MATERIAL -

FINISH -

NAME

Antenna  
Bluetooth/WLAN  
Assembly 1513504-1

SIZE

CAGE CODE

DRAWING NO

RESTRICTED TO

A3

00779

C-1513504

-

SCALE 4:1

SHEET 2 OF 2

REV D2

1470-19 (3/11)

## Looking for pricing, stock, or lifecycle information?

Click below to explore more details on WIN SOURCE:

 [View 1513504-1](#) on WIN SOURCE

 [TE Connectivity](#) Information

## Optimize Your Supply Chain with WIN SOURCE Solutions

-  Global Sourcing Solution
-  Obsolete Management
-  Cost Control Management
-  Shortage Management
-  Alternative Solution
-  Excess Inventory Management