



**THE DATASHEET OF  
DLW31SH222SQ2L**



# DLW31SH222SQ2#

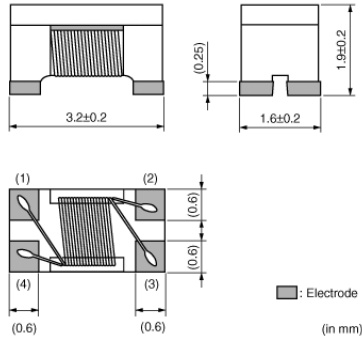
“#” indicates a package specification code.



< List of part numbers with package codes >

DLW31SH222SQ2L DLW31SH222SQ2B

## Appearance & Shape



## Features

DLW31S series is a high performance wound type chip common mode choke coil.

### Features

- DLW31S is the small size (3.2x1.6x1.9mm).
- Suitable for noise suppression at car area networks like CAN (Controller Area Network) bus.
- DLW31S has high common mode impedance so it is suitable for noise suppression through wide frequency range.
- Wide operating temperature range (-40 to +125 degrees C)

### Applications

Noise suppression at car area networks like CAN bus or car navigation system.

## Applications

Automotive Usage	Powertrain/Safety
------------------	-------------------

## Packaging Information

Packaging	Specifications	Minimum Order Quantity
L	180mm Embossed Tape	2000
B	Bulk(Bag)	500

### Attention

- This datasheet is downloaded from the website of Murata Manufacturing Co., Ltd. Therefore, it's specifications are subject to change or our products in it may be discontinued without advance notice. Please check with our sales representatives or product engineers before ordering.
- This datasheet has only typical specifications because there is no space for detailed specifications. Therefore, please review our product specifications or consult the approval sheet for product specifications before ordering.

# DLW31SH222SQ2#

“#” indicates a package specification code.



## Specifications

Shape	SMD	Operating Temperature Range	-40°C to 125°C
Size Code (in mm)	3216	Mass(typ.)	0.039g
Size Code (in inch)	1206	Number of Circuit	1
Length	3.2mm	Operating Temperature Range(Self-temperature rise is included)	No
Length Tolerance	±0.2mm		
Width	1.6mm		
Width Tolerance	±0.2mm		
Thickness	1.9mm		
Thickness Tolerance	±0.2mm		
Common Mode Impedance (at 100MHz)	2200Ω		
Common Mode Impedance (at 100MHz) Tolerance	±25%		
Rated Current	80mA		
Rated Voltage	32Vdc		
Withstanding Voltage	80Vdc		
DC Resistance(max.)	1.92Ω		
DC Resistance	1.6Ω±20%		
Insulation Resistance(min.)	10MΩ		

### Attention

1.This datasheet is downloaded from the website of Murata Manufacturing Co., Ltd. Therefore, it's specifications are subject to change or our products in it may be discontinued without advance notice. Please check with our sales representatives or product engineers before ordering.

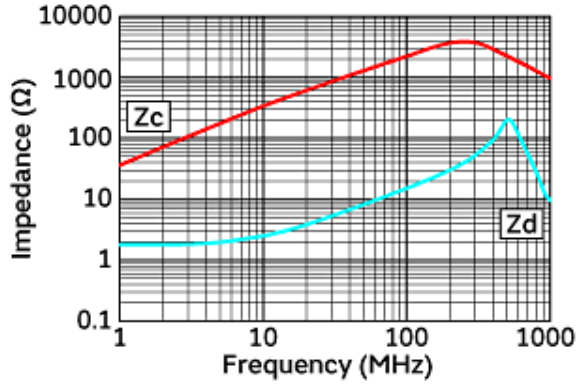
2.This datasheet has only typical specifications because there is no space for detailed specifications.

Therefore, please review our product specifications or consult the approval sheet for product specifications before ordering.

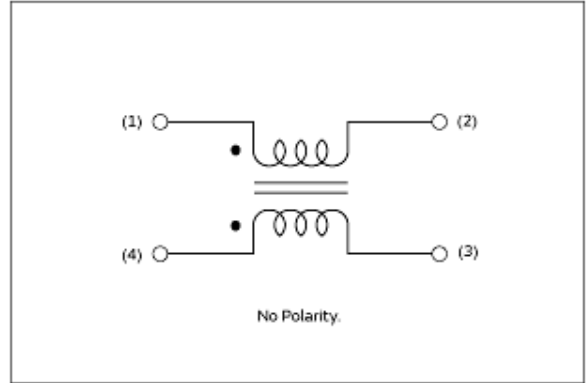
# DLW31SH222SQ2#

“#” indicates a package specification code.

## Product Data



Impedance-Frequency Characteristics





Equivalent Circuit

**Attention**

- 1.This datasheet is downloaded from the website of Murata Manufacturing Co., Ltd. Therefore, it's specifications are subject to change or our products in it may be discontinued without advance notice. Please check with our sales representatives or product engineers before ordering.
- 2.This datasheet has only typical specifications because there is no space for detailed specifications.  
Therefore, please review our product specifications or consult the approval sheet for product specifications before ordering.

## Looking for pricing, stock, or lifecycle information?

Click below to explore more details on WIN SOURCE:

-  [View DLW31SH222SQ2L on WIN SOURCE](#)
-  [Murata Electronics North America Information](#)

## Optimize Your Supply Chain with WIN SOURCE Solutions

-  Global Sourcing Solution
-  Obsolete Management
-  Cost Control Management
-  Shortage Management
-  Alternative Solution
-  Excess Inventory Management