

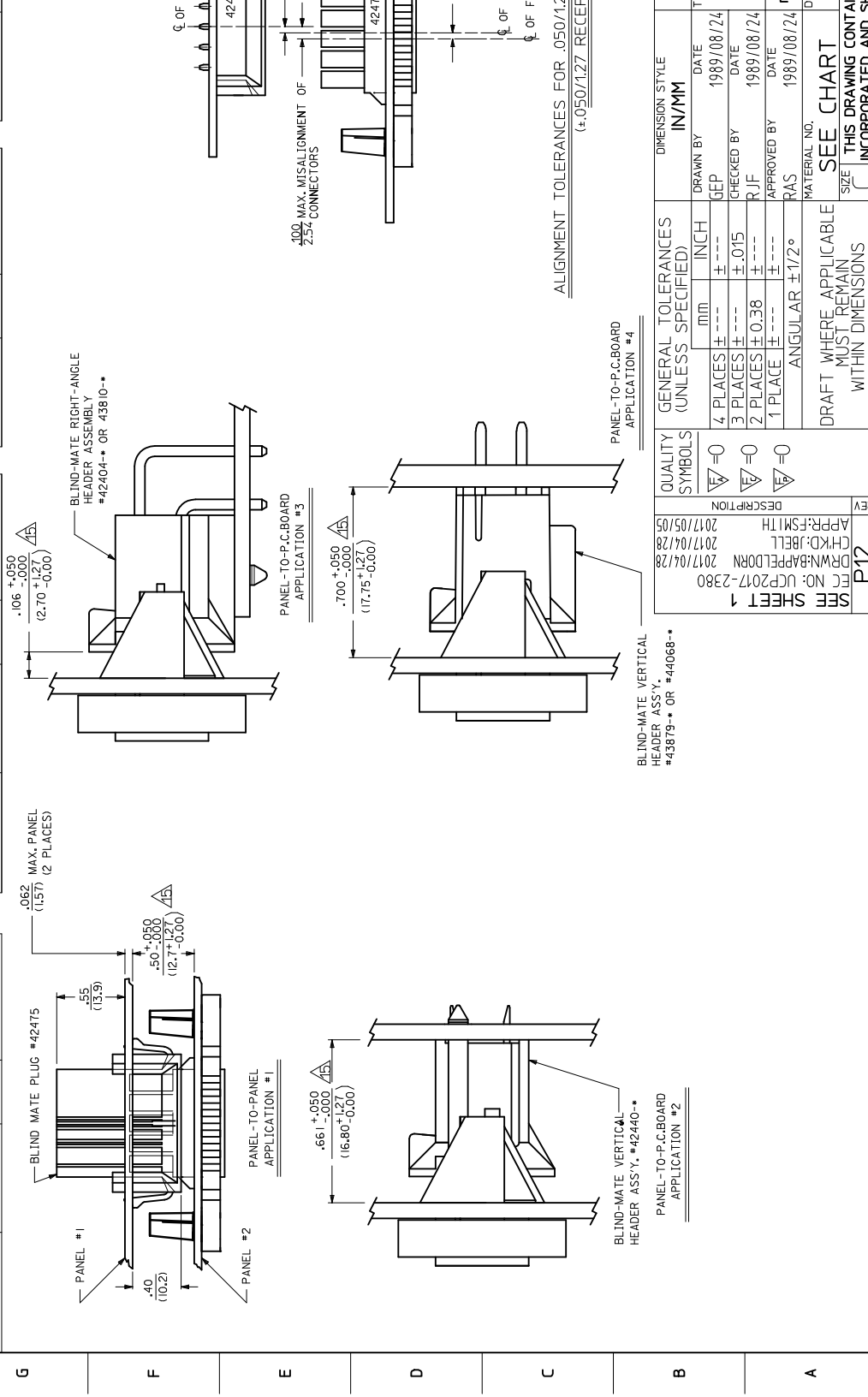


**THE DATASHEET OF**  
**15-06-0241**





13	12	11	10	9	8	7	6	5	4		
PART NUMBER	ENG. NUMBER	CKT. SIZE	MATERIAL (SEE NOTE 1.)	PART NUMBER	ENG. NUMBER	CKT. SIZE	MATERIAL (SEE NOTE 1.)	ITEM NUMBER	CKT. SIZE	MATERIAL (SEE NOTE 1.)	ITEM NUMBER
NOT TOOLED	42474-0211	2	94V-2	NOT TOOLED	42474-0221	2	94V-0	NOT TOOLED	2	94V-2	NOT TOOLED
15-06-0040	42474-0411	4	94V-2	15-06-0041	42474-0421	4	94V-0	42474-0431	4	94V-2	42474-0441
15-06-0060	42474-0611	6	94V-2	15-06-0061	42474-0621	6	94V-0	42474-0631	6	94V-2	42474-0641
15-06-0080	42474-0811	8	94V-2	15-06-0081	42474-0821	8	94V-0	42474-0831	8	94V-2	42474-0841
15-06-0100	42474-1011	10	94V-2	15-06-0101	42474-1021	10	94V-0	42474-1031	10	94V-2	42474-1041
NOT TOOLED	42474-1211	12	94V-2	NOT TOOLED	42474-1221	12	94V-0	NOT TOOLED	12	94V-2	NOT TOOLED
15-06-0140	42474-1411	14	94V-2	15-06-0141	42474-1421	14	94V-0	42474-1431	14	94V-2	42474-1441
NOT TOOLED	42474-1611	16	94V-2	NOT TOOLED	42474-1621	16	94V-0	NOT TOOLED	16	94V-2	NOT TOOLED
15-06-0180	42474-1811	18	94V-2	15-06-0181	42474-1821	18	94V-0	42474-1831	18	94V-2	42474-1841
NOT TOOLED	42474-2011	20	94V-2	NOT TOOLED	42474-2021	20	94V-0	NOT TOOLED	20	94V-2	NOT TOOLED
NOT TOOLED	42474-2211	22	94V-2	NOT TOOLED	42474-2221	22	94V-0	NOT TOOLED	22	94V-2	NOT TOOLED
15-06-0240	42474-2411	24	94V-2	15-06-0241	42474-2421	24	94V-0	42474-2431	24	94V-2	42474-2441



tb\_frames\_C.P.A.M.T  
Rev. F 2009/06/16

12	11	10	9	8	7	6	5	4
QUALITY SYMBOLS	DESCRIPTION	REV	DATE	APPROVED BY	DATE	APPROVED BY	DATE	APPROVED BY
0	APR:FSMITH	P12	2017/05/05	DRM:BAPELDRN	2017/04/28	DRM:BAPELDRN	2017/04/28	DRM:BAPELDRN
0	CHKD:JBELL	SEE SHEET 1	2017/04/28	EC NO: UCP2017-2380		EC NO: UCP2017-2380		EC NO: UCP2017-2380
0		SEE SHEET 1						
GENERAL TOLERANCES (UNLESS SPECIFIED)			DIMENSION STYLE			IN/MM		
4 PLACES ± .005			DRAWN BY			DATE		
3 PLACES ± .015			GEP			1989/08/24		
2 PLACES ± 0.38			CHECKED BY			DATE		
1 PLACE ± .005			RJF			1989/08/24		
ANGULAR ± 1/2°			APPROVED BY			DATE		
			RAS			1989/08/24		
DRAFT WHERE APPLICABLE MUST REMAIN WITHIN DIMENSIONS			MATERIAL NO.			DATE		
			SEE CHART			1989/08/24		
			SIZE			THIS DRAWING CONTAINS INCORPORATED AND S		

ALIGNMENT TOLERANCES FOR .050/1.27 RECEIVERS  
(±.050/1.27 RECEIVERS)

100 MAX. MISALIGNMENT OF 2.5% CONNECTORS

PANEL-TO-P.C.BOARD APPLICATION #4

BLIND-MATE VERTICAL HEADER ASSY. #43879\*\* OR #44068\*\*

BLIND-MATE VERTICAL HEADER ASSY. #42440\*\*

PANEL-TO-P.C.BOARD APPLICATION #2

PANEL-TO-P.C.BOARD APPLICATION #3

BLIND-MATE RIGHT-ANGLE HEADER ASSEMBLY #42404\*\* OR 43810\*\*

PANEL-TO-PANEL APPLICATION #1

MAX. PANEL (2 PLACES)

BLIND MATE PLUG #42475

## Looking for pricing, stock, or lifecycle information?

Click below to explore more details on WIN SOURCE:

 [View 15-06-0241 on WIN SOURCE](#)

 [Molex, LLC Information](#)

## Optimize Your Supply Chain with WIN SOURCE Solutions

-  Global Sourcing Solution
-  Obsolete Management
-  Cost Control Management
-  Shortage Management
-  Alternative Solution
-  Excess Inventory Management