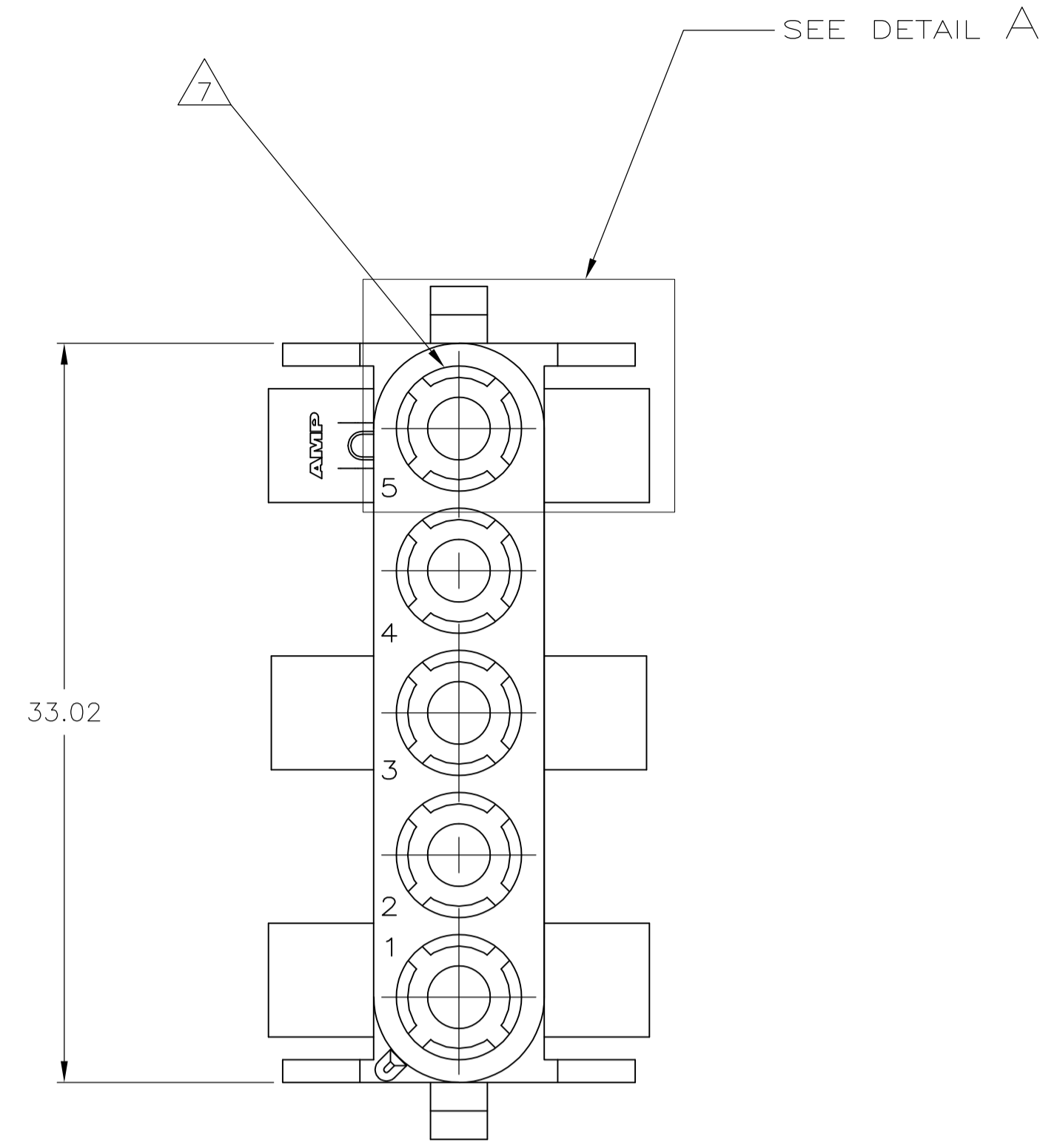
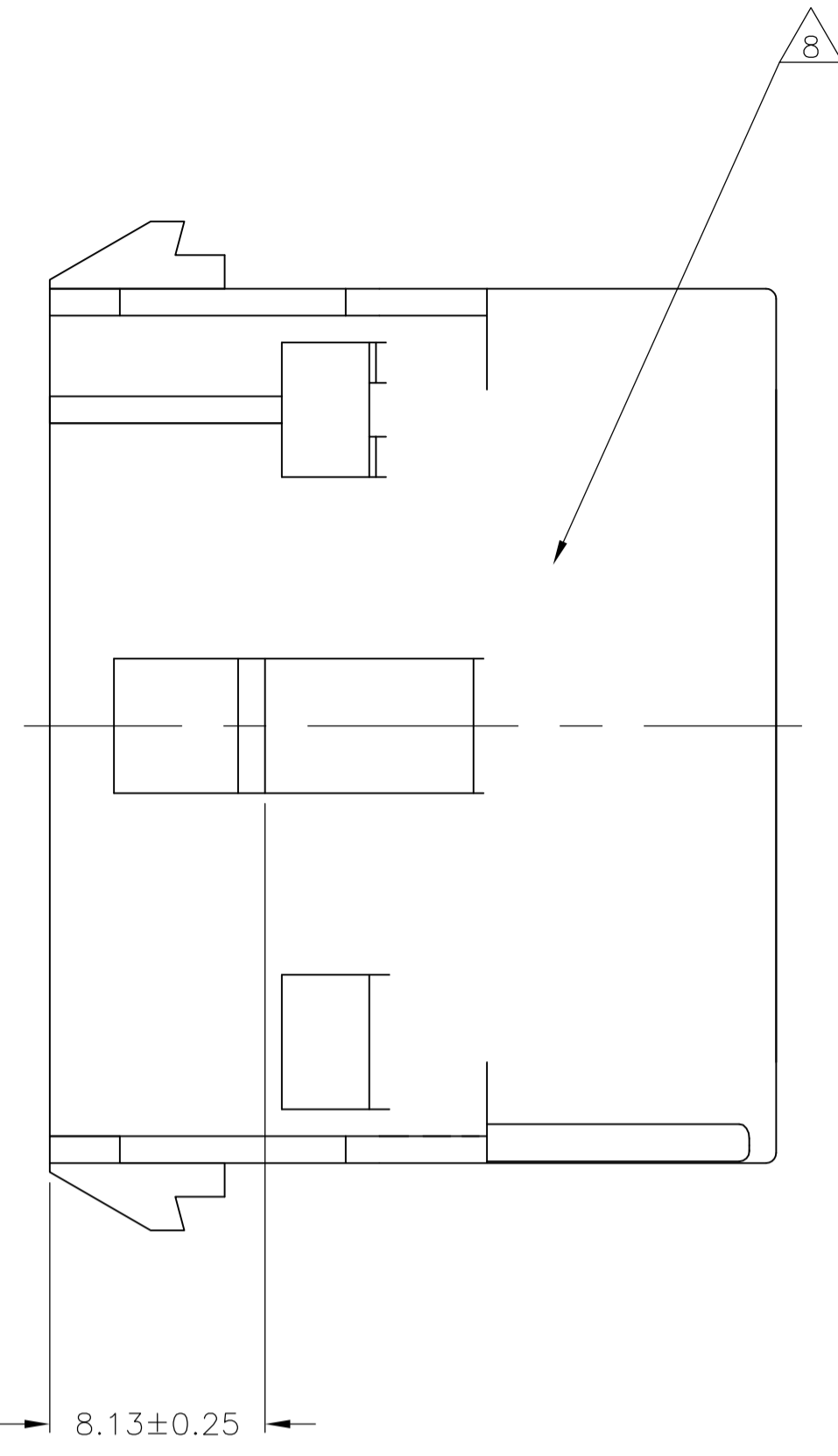
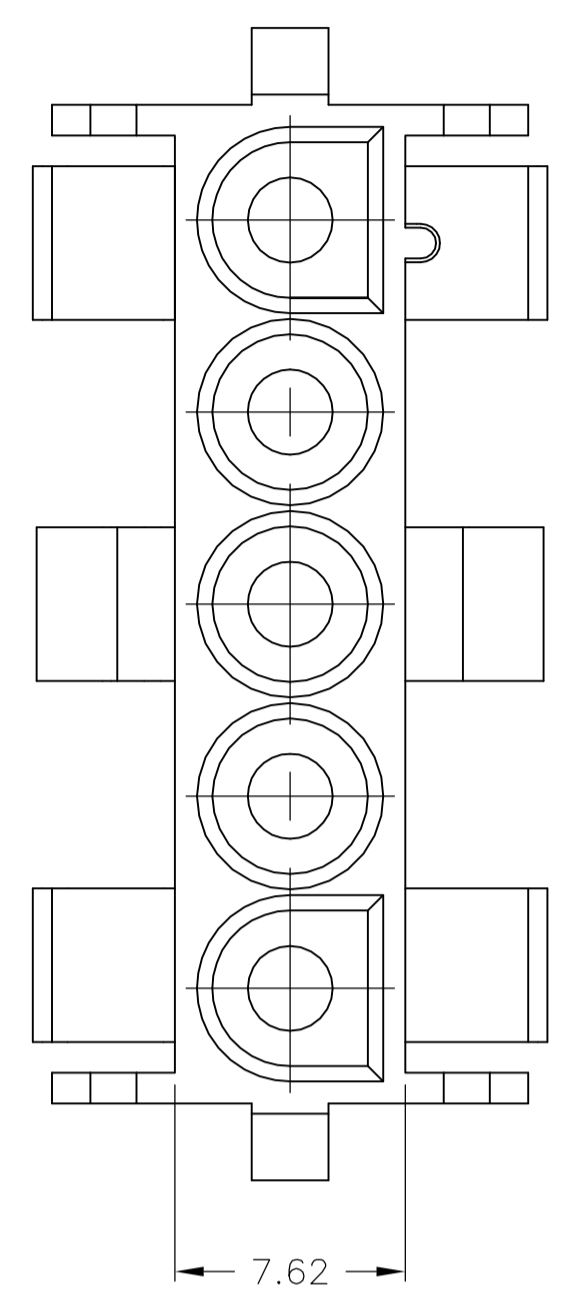




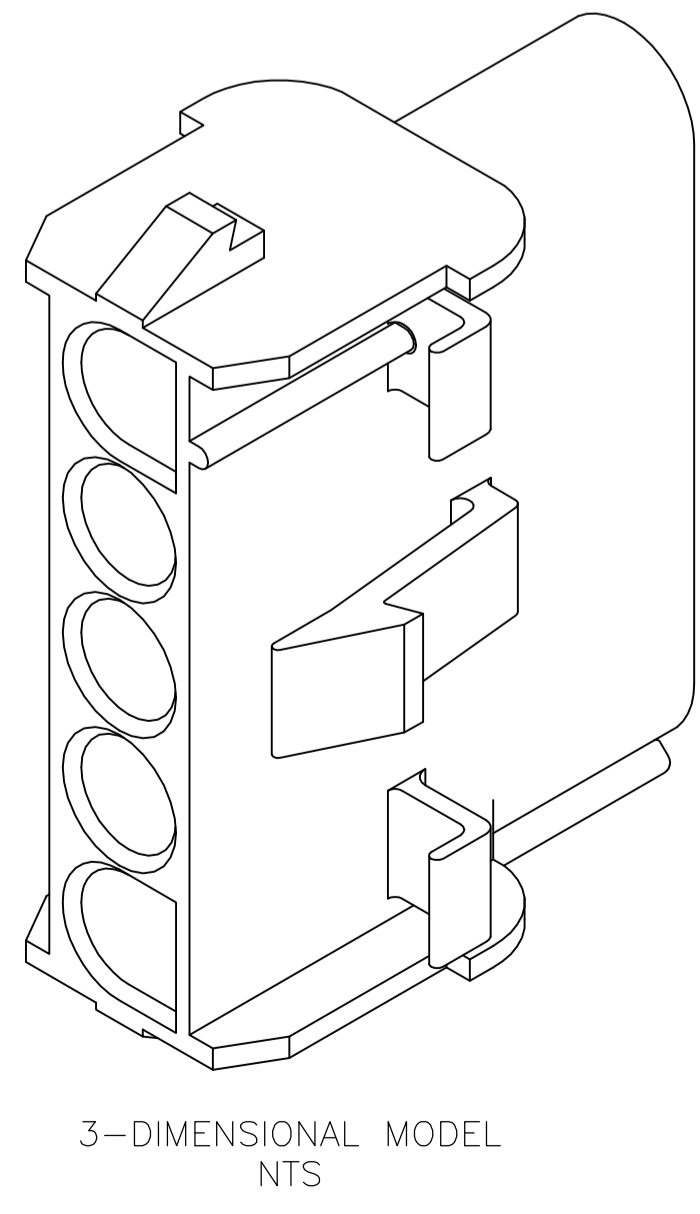
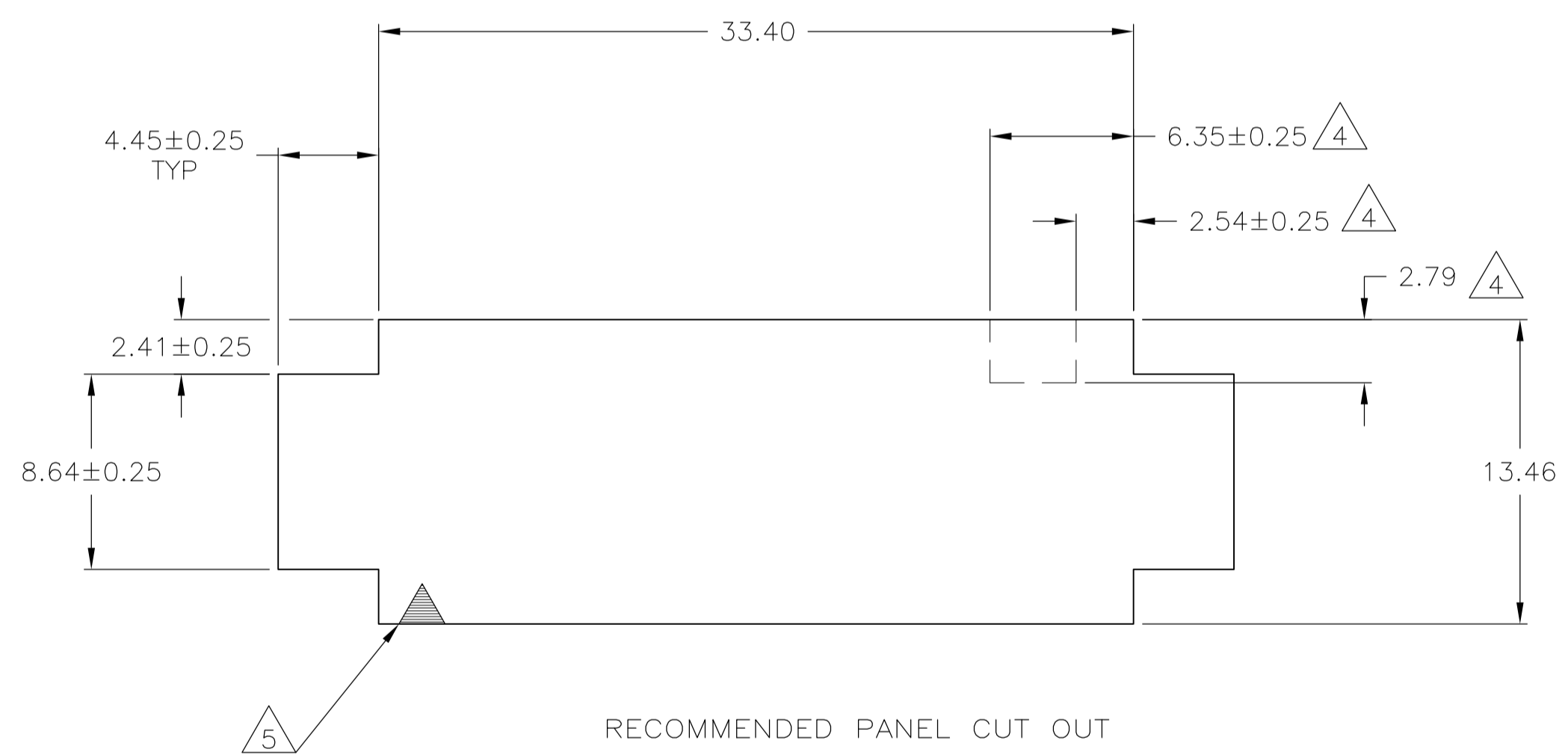
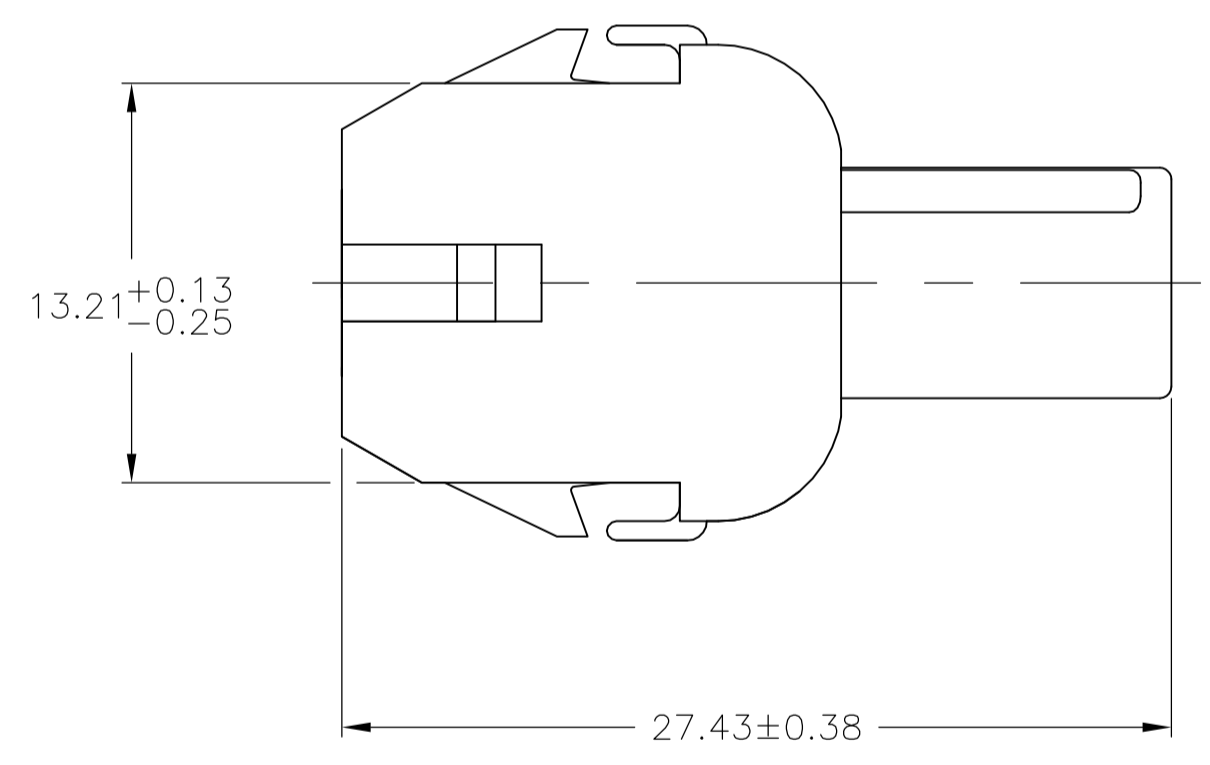
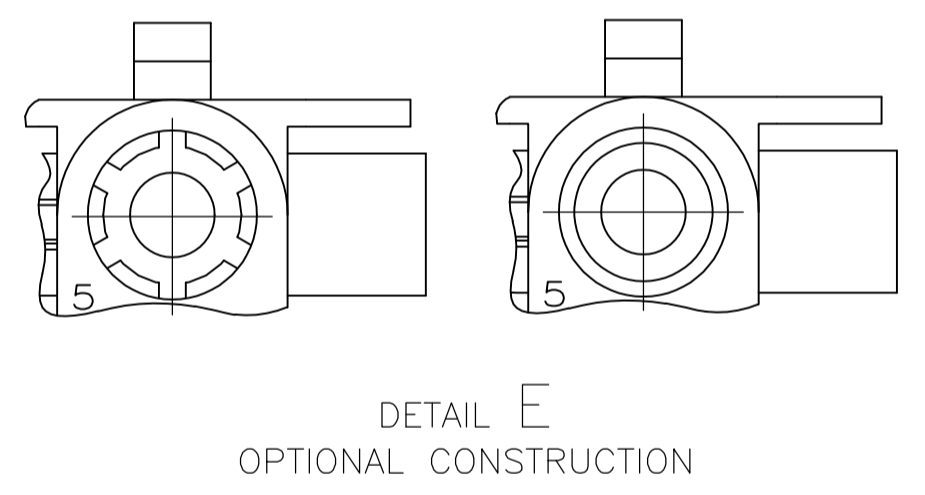
**THE DATASHEET OF**  
**1-480764-0**



LOC	DIST	REVISIONS				
CM	53	REV	DESCRIPTION	DATE	BY	APPV
		AD3	REVISED PER ECR-17-008392	23JUN2017	BW	KR



1. MATES WITH APPROPRIATE UNIVERSAL MATE-N-LOK™ PLUG.
2. RECOMMENDED PANEL THICKNESS 0.76 - 2.29.
3. PANEL MUST BE PUNCHED SO THAT THE HOUSING ENTERS THE PANEL IN THE SAME DIRECTION AS THE PUNCH.
4. OPTIONAL FOR KEYING HOUSING IN PANEL.
5. CIRCUIT NUMBER 1 LOCATION.
6. DIMENSIONS SHOWN REPRESENT PRODUCT IN DRY, AS MOLDED, CONDITION. ADDITIONAL 2% GROWTH DUE TO SUBSEQUENT MOISTURE ABSORPTION MAY OCCUR AND SHOULD BE ACCOUNTED FOR.
7. FOUR RIBS EQUALLY SPACED, NO SPECIFIC ORIENTATION. NO RIBS OR SIX RIBS EQUALLY SPACED, NO SPECIFIC ORIENTATION, OPTIONAL.
8. UNDERWRITERS RECOGNIZED COMPONENT LOGO AND CSA CERTIFICATION LOGO TO BE LOCATED ONCE EACH ON SIDE OF HOUSING.
9. OBSOLETE PARTS: OBSOLETE CIS STREAMLINING PER D.RENAUD/D.SINISI



4.45	.175	33.40	1.315
2.79	.110	33.02	1.300
2.54	.100	27.43	1.080
2.41	.095	13.46	.530
2.29	.090	13.21	.520
0.76	.030	8.64	.340
0.38	.015	8.13	.320
0.25	.010	7.62	.300
0.13	.005	6.35	.250
MM	IN	MM	IN

CONVERSION TABLE

9	BLACK	480764-9	
	GRAY	480764-8	
	BLUE	480764-6	
	GREEN	480764-5	
	YELLOW	480764-4	
9	OBSOLETE	ORANGE	480764-3
	OBSOLETE	RED	480764-2
	OBSOLETE	BROWN	480764-1
	NATURAL	1-480764-0	
	COLOR	PART NO	

THIS DRAWING IS A CONTROLLED DOCUMENT.

DIMENSIONS:	TOLERANCES UNLESS OTHERWISE SPECIFIED:	DIN K. WHITAKER 07JUN92	TE Connectivity
mm	0. PLC ± -	CHK R. SWING 07JUN92	
	1. PLC ± -	APPV D. SELF 08JUN92	NAME
	2. PLC ± 0.13		CAP.5 CIRCUIT, UNIVERSAL MATE-N-LOK™
	3. PLC ± -		SIZE
	4. PLC ± -		CAGE CODE
	ANGLES ± 1°		DRAWING NO
MATERIAL NYLON,UL 94V-2	FINISH -	WEIGHT	RESTRICTED TO
			A1 00779 480764
		CUSTOMER DRAWING	SCALE 4:1 SHEET 1 OF 1 REV AD3

## Looking for pricing, stock, or lifecycle information?

Click below to explore more details on WIN SOURCE:

 [View 1-480764-0 on WIN SOURCE](#)

 [TE Connectivity](#) Information

## Optimize Your Supply Chain with WIN SOURCE Solutions

-  Global Sourcing Solution
-  Obsolete Management
-  Cost Control Management
-  Shortage Management
-  Alternative Solution
-  Excess Inventory Management