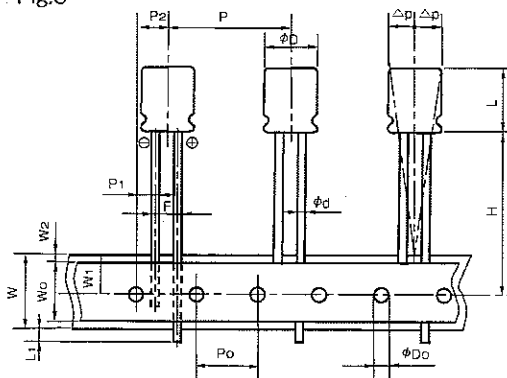




**THE DATASHEET OF
10YK100MTA5X11**

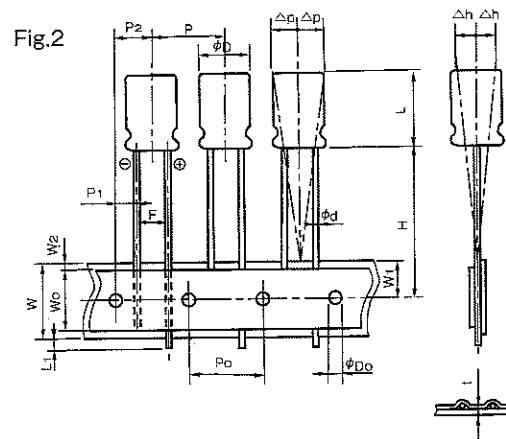
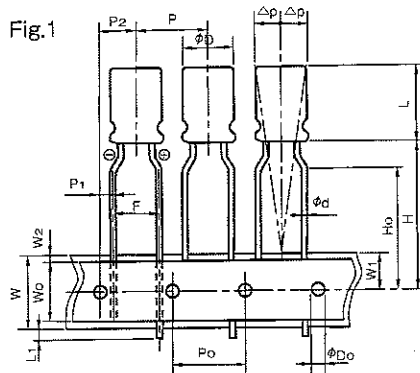


Fig.3


◆ SPECIFICATION TABLE

(mm)

Items	Code	9mm or more Height						Tolerance
		φ5, φ6.3	φ8	φ10	φ12.5	φ16	φ18	
Taping code		T1	TA	TA	T7	T8	G4	GC
Applicable Fig. No.		Fig.2	Fig.1	Fig.1	Fig.2	Fig.2	Fig.2	Fig.3
Dia. of lead	φd	0.5		0.6			0.8	±0.05
Height of body	L	13.0	22.0		30.0	42.0		MAX
Distance from center to center of next body	P	12.7				15.0	30.0	±1.0
Distance from center to center of next driving hole	P ₀	12.7				15.0	15.0±0.3	±0.2
Distance between center of driving hole and lead	P ₁	5.1	3.85	4.6	3.85	5.0	3.75	±0.5
Distance between center of driving hole and body	P ₂	6.35				7.5		±1.0
Pitch of lead	F	2.5	5.0	3.5	5.0±0.8		7.5±0.8	+0.8 -0.2
Width of mounting tape	W	18.0						±0.3
Width of adhesive tape	W ₀	5.0						MIN
Distance between center of driving hole and mounting tape edge	W ₁	9.0						±0.5
Max. allowable distance between mounting and adhesive tape edges	W ₂	1.5						MAX
Distance between center of driving hole and bottom of body	H	18.5	20.0		18.5 ^{+0.75} _{-0.5}		±0.75	
Distance between center of driving hole and clinch part of lead	H ₀	—	16.0	—	—		±0.5	
End of lead	L ₁	0.5						MAX
Dia. of driving hole	φD ₀	4.0						±0.2
Off alignment of body top	Δh	1.0						MAX
Off alignment of body top	Δp	1.0						MAX
Sum of thickness for mounting and adhesive tape without lead dia	t	0.6						±0.3
Quantity (pcs)		2000	1000	500	250			

◆ TAPING SPECIFICATIONS
◆ DIMENSIONS

◆ SPECIFICATION TABLE

(mm)

Items	Code	5mm Height		7mm or 7.5mm Height				Tolerance
		$\phi 4 \sim \phi 8$		$\phi 4 \sim \phi 6.3$	$\phi 4 \sim \phi 6.3$	$\phi 8$		
Taping code		T5	TZ	T5	TZ	TA	T7	
Applicable Fig. No.		Fig.2	Fig.1	Fig.2	Fig.1	Fig.1	Fig.2	
Dia. of lead	ϕd	0.45		0.45				± 0.05
Height of body	L	6.5		8.5				MAX
Distance from center to center of next body	P	12.7		12.7				± 1.0
Distance from center to center of next driving hole	P_0	12.7		12.7				± 0.2
Distance between center of driving hole and lead	P_1	5.1	3.85	5.1	3.85	4.6		± 0.5
Distance between center of driving hole and body	P_2	6.35		6.35				± 1.0
Pitch of lead	F	2.5	5.0	2.5	5.0	3.5		$+0.8$ -0.2
Width of mounting tape	W	18.0		18.0				± 0.3
Width of adhesive tape	W_0	5.0		5.0				MIN
Distance between center of driving hole and mounting tape edge	W_1	9.0		9.0				± 0.5
Max. allowable distance between mounting and adhesive tape edges	W_2	1.5		1.5				MAX
Distance between center of driving hole and bottom of body	H	17.5		17.5		20.0		± 0.75
Distance between center of driving hole and clinch part of lead	H_0	—	16.0	—	16.0		—	± 0.5
End of lead	L_1	0.5		0.5				MAX
Dia. of driving hole	ϕD_0	4.0		4.0				± 0.2
Off alignment of body top	Δh	1.0		1.0				MAX
Off alignment of body top	Δp	1.0		1.0				MAX
Sum of thickness for mounting and adhesive tape without lead dia	t	0.6		0.6				± 0.3
Quantity (pcs)		2000 ($\phi 8$:1000)						

◆ LEAD CUTTING FORMING SPECIFICATIONS

Rubycon provides lead-formed and lead-cut products to facilitate mounting on printed circuit boards, as well as products with leads specially processed (kink formed) for self supporting insertions to printed circuit boards.

• Lead forming
($\phi 5 \sim \phi 8$)
Lead forming code : FA

(mm)			
ϕD	5	6.3	8
ϕd	0.5		0.6
F	5.0		

• Lead cutting
($\phi 5 \sim \phi 18$)
Lead cutting code : CA
CC
CE

(mm)								
ϕD	5	6.3	8	10	12.5	14.5	16	18
H	5.0 (CA)							
	4.0 (CC)							
	3.5 (CE)							
ϕd	0.5		0.6		0.8			
F	2.0	2.5	3.5	5.0		7.5		

• Kinked lead forming
($\phi 5 \sim \phi 8$)
Kinked lead forming code : KC

(mm)								
ϕD	5	6.3	8	10	12.5	14.5	16	18
H1	4.5							
H2	2.8							
H3	2.5		—					
F	5.0				7.5			
P	1.0							
E	1.2			1.3				
ϕd	0.5		0.6		0.8			

• Kinked lead cutting
($\phi 10 \sim \phi 18$)
Kinked lead cutting code : KC

• ($\phi 10 \sim \phi 18$) / Low profile with horizontal mounting

Type A

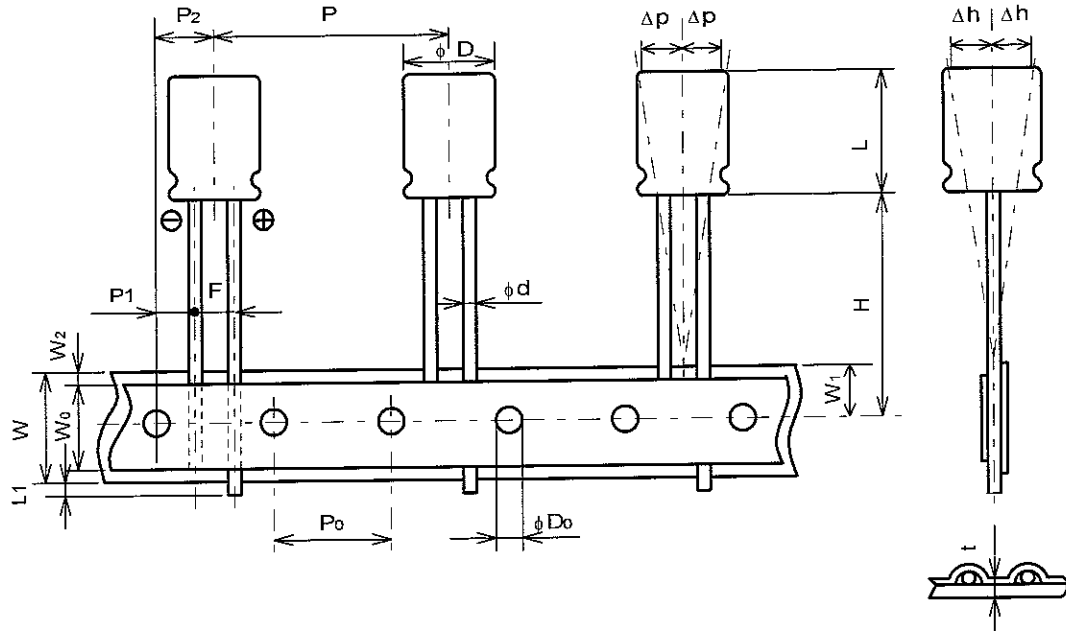
Type B

ϕD	10, 12.5				14.5, 16, 18			
	Code	RI	RK	RX	SG	RI	RK	RX
ϕd	0.6				0.8			
F	5.0				7.5			
H	4.0		3.5		4.0		3.5	
Type	A	B	A	B	A	B	A	B

space between leads

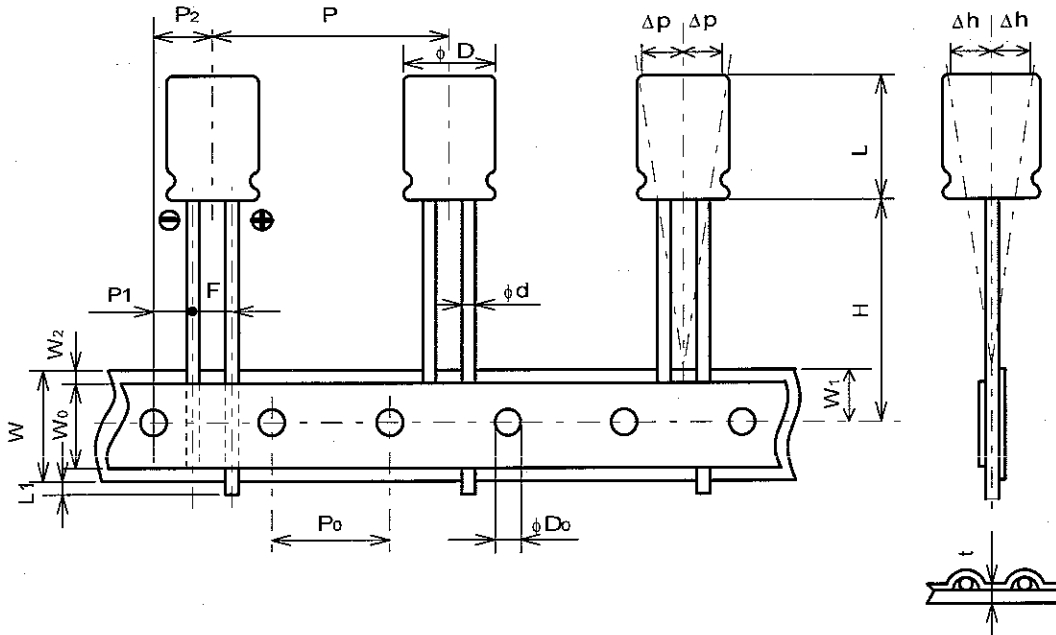
CODE : GA (Positive leading)

LEAD TYPE (DIA. $\phi 12.5 \times 20$)



Symbol	Case Dia ϕ mm		Remarks
	$\phi 12.5$		
ϕd	0.6	± 0.05	Dia of lead
L	22.0	MAX	Height of body
P	25.4	± 1.0	Distance from center to center of body
P_0	12.7	± 0.2	Distance from center to center of driving hole
P1	3.85	± 0.5	Distance between center of driving hole and lead
P2	6.35	± 1.0	Distance between center of driving hole and body
F	5.0	± 0.8	Lead spacing
W	18.0	± 0.3	Width of mounting tape
W_0	5.0	MIN	Width of adhesive tape
W1	9.0	± 0.5	Distance between center of driving hole and edge of mounting tape
W2	1.5	MAX	Max. allowable distance between mount and adhesive tape side
H	18.5	± 0.75	Distance between center of driving hole and bottom of body
L1	0.5	MAX	Protrusion of lead
ϕD_0	4.0	± 0.2	Dia. of driving hole
Δh	1.0	MAX	Off alignment of body
Δp	1.0	MAX	Off alignment of body
t	0.6	± 0.3	Sum of thickness for mounting and adhesive tape without lead dia.

CODE : GC (Positive leading)

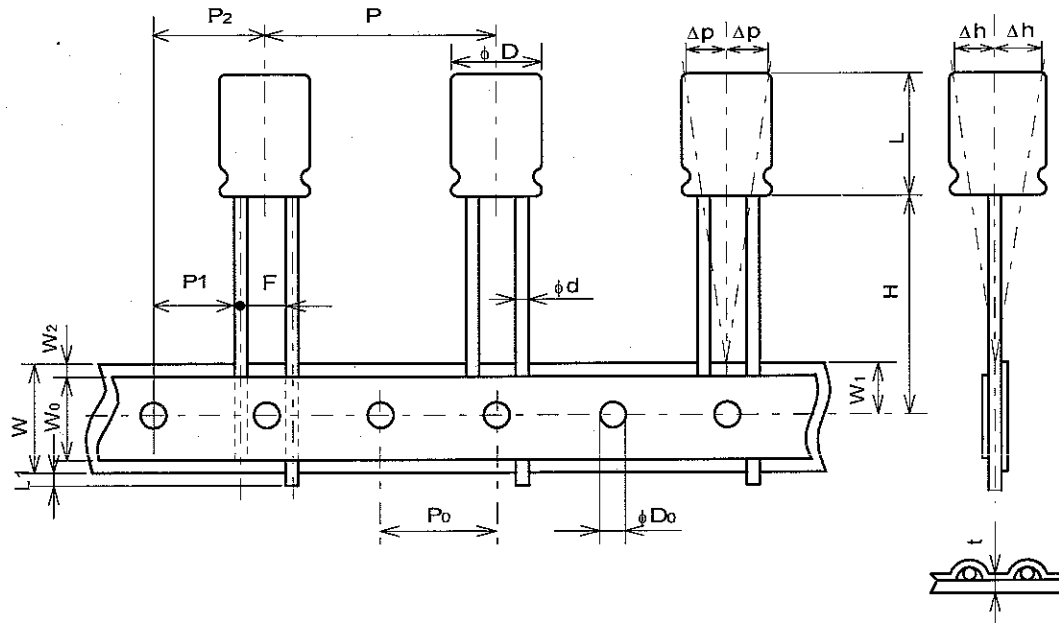
LEAD TYPE (DIA. $\phi 18$)

Symbol	Case Dia ϕ mm		Remarks
	$\phi 18$		
ϕd	0.8	± 0.05	Dia of lead
L	22.0	MAX	Hight of body
P	30.0	± 1.0	Distance from center to center of body
P_0	15.0	± 0.3	Distance from center to center of driving hole
P_1	3.75	± 0.5	Distance between center of driving hole and lead
P_2	7.5	± 1.0	Distance between center of driving hole and body
F	7.5	± 0.8	Lead spacing
W	18.0	± 0.3	Width of mounting tape
W_0	5.0	MIN	Width of adhesive tape
W_1	9.0	± 0.5	Distance between center of driving hole and edge of mounting tape
W_2	1.5	MAX	Max. allowable distance between mount and adhesive tape side
H	18.5	$^{+0.75}$ $_{-0.6}$	Distance between center of driving hole and bottom of body
L1	0.5	MAX	Protrusion of lead
ϕD_0	4.0	± 0.2	Dia. of driving hole
Δh	1.0	MAX	Off alignment of body
Δp	1.0	MAX	Off alignment of body
t	0.6	± 0.3	Sum of thickness for mounting and adhesive tape without lead dia.

BXA SERIES

Rubycon
RUBYCON CORPORATION

CODE : G3 (Positive leading)

LEAD TYPE (DIA. $\phi 18$)

Symbol	Case Dia ϕ mm		Remarks
	$\phi 18$		
ϕd	0.8	± 0.05	Dia of lead
L	22.0	MAX	Hight of body
P	25.4	± 1.0	Distance from center to center of body
P_0	12.7	± 0.3	Distance from center to center of driving hole
P1	8.95	± 0.5	Distance between center of driving hole and lead
P2	12.7	± 1.0	Distance between center of driving hole and body
F	7.5	± 0.8	Lead spacing
W	18.0	± 0.3	Width of mounting tape
W_0	5.0	MIN	Width of adhesive tape
W1	9.0	± 0.5	Distance between center of driving hole and edge of mounting tape
W2	1.5	MAX	Max. allowable distance between mount and adhesive tape side
H	19.0	± 0.75	Distance between center of driving hole and bottom of body
L1	0.5	MAX	Protrusion of lead
ϕD_0	4.0	± 0.2	Dia. of driving hole
Δh	1.0	MAX	Off alignment of body
Δp	1.0	MAX	Off alignment of body
t	0.6	± 0.3	Sum of thickness for mounting and adhesive tape without lead dia.

BXA SERIES

Rubycon
RUBYCON CORPORATION

Appendix A

Lead Form Code
Aluminum Electrolytic Capacitors

Cut Leads	Lead Length	Code	Lead Length	Code
	3.0	CT	3.2	CR
	3.3	C5	3.5	CE
	4.0	CC	7.5	CW
	4.5	CM	8.0	CH
	5.0	CA	8.5	CS
	5.5	CB	9.0	CK
	6.0	C2	10.0	CN

Formed & Cut Leads: (3-8mm dia. Caps only)



Lead Length	Code
4.0	MB
4.5	FC
5.0	FA
5.5	FB
6.0	FF

2.5max → 2.0 max






Kink Cut Leads	Series	Body dia	F	Code	Remarks
General		5to8	5.0	KC	Stand-Off
		10to12.5	5.0	KC	
		16to18	7.5	KC	
		3to6.3	5.0	K2	Stand-Off
		4	3.5	K8	Stand-Off
MS5/MS7		4to5	2.5	K7	Stand-Off
		6.3x5,6.3x7,8x5,6.3x11	2.5	K9	

Looking for pricing, stock, or lifecycle information?

Click below to explore more details on WIN SOURCE:

-  [View 10YK100MTA5X11 on WIN SOURCE](#)
-  [Rubycon Information](#)

Optimize Your Supply Chain with WIN SOURCE Solutions

-  Global Sourcing Solution
-  Obsolete Management
-  Cost Control Management
-  Shortage Management
-  Alternative Solution
-  Excess Inventory Management