



**THE DATASHEET OF
HM2112ZNLT**



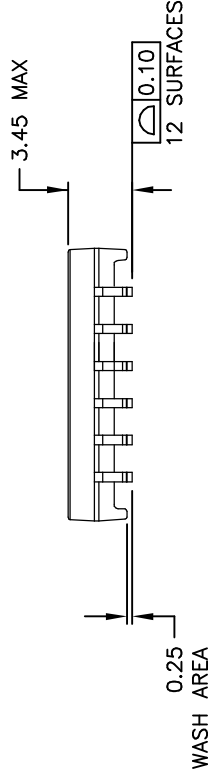
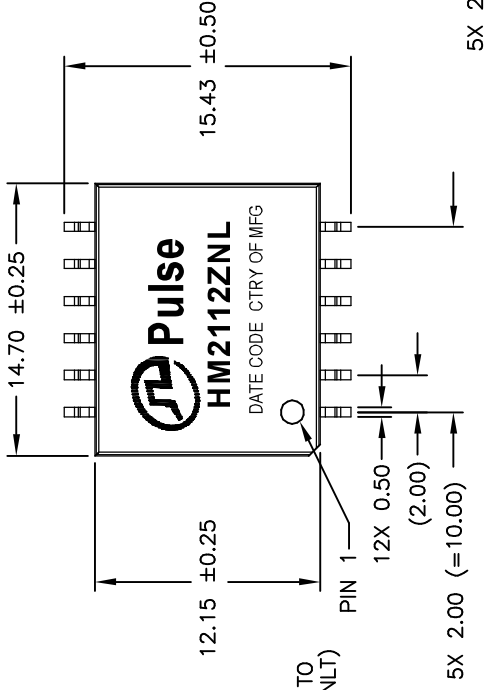


NOTES: UNLESS OTHERWISE SPECIFIED

NOTICE:	THIS IS A RoHS COMPLIANT COMPONENT/PRODUCT. ALL ENGINEERING CHANGES MUST HAVE PRIOR APPROVAL BY THE DESIGN CENTER.
RoHS	

1. SOLDERABILITY: CONFORMS TO ANSI/J-STD-002, IPC/EIA J-STD-003A.
2. OPERATING TEMPERATURE: -40°C TO +125°C
3. STORAGE TEMPERATURE: -50°C TO +125°C
4. JEDEC MOISTURE: LEVEL 1.
5. AEC-Q200 QUALIFIED
6. TO ORDER TAPE & REEL PACKAGING ADD A "T" SUFFIX TO THE PART NUMBER (ie. HM2112ZNL BECOMES HM2112ZNL(T))
7. UNLESS OTHERWISE SPECIFIED, ALL DIMENSIONS ARE IN MILLIMETERS. TOLERANCES ARE:

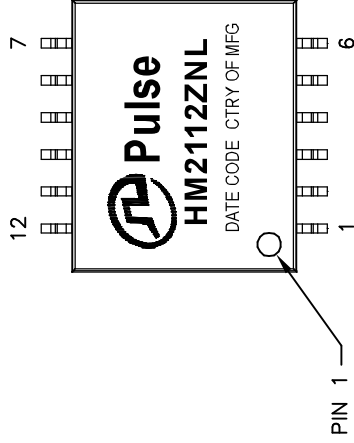
DECIMALS ANGLES
X.X ±0.25 ± 1°
X.XX ±0.13



© Copyright, 2017, Pulse Electronics Corp. All rights reserved. Pulse confidential & proprietary. (10/20/17)

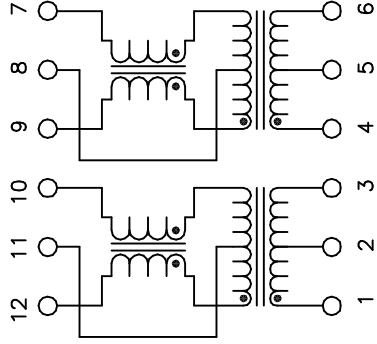
PRODUCT DESCRIPTION	TLA DRAWING	PS DRAWING	SHEET	PART
TRANSFORMER/CMC,DUAL,4.3kV,SMT	HM2112ZNL-10	PS-2855.002-B	1 OF 2	HM21

E-MAIL: PRODINFONETWORK@PULSEELECTRONICS.COM(US), ASIA@PULSEELECTRONICS.COM(Asia) PHONE: USA:858 674 8100, GERMANY:49 7032 78060, SINGAPORE:65 6287 8998, SH



ELECTRICAL CHARACTERISTICS AT +25°C U

PARAMETER	SPI	PER
QUALIFICATION		
DESIGN CONSTRUCTION		FUNCTION
CREEPAGE DISTANCE	>	
OPERATING TEMPERATURE	-40°	
TURNS RATIO	1	
POLARITY		PEI
DC RESISTANCE	TRANSFORMER SIZE	
	0.45 OHMS MAX	
INDUCTANCE (OCL) AT 100 kHz, 100 mV (-40°C TO +125°C)	150 uH M	
LEAKAGE INDUCTANCE	0.50 uH	
INSERTION LOSS	0.25 dB	
RETURN LOSS (Z OUT = 100 OHM ±1%)	20 dB	
CROSSTALK, ADJACENT CHANNELS	-50 dB	
COMMON MODE REJECTION RATIO	1-10 MHz	
	-35 dB MIN	
INPUT - OUTPUT ISOLATION	4300 VDC OR 31 WITH 1.0 mA M	
INSULATION RESISTANCE	400 ME	
WORKING VOLTAGE	1000 VDC	



© Copyright, 2017. Pulse Electronics Corp. All rights reserved. Pulse confidential & proprietary. (10/20/17)

PRODUCT DESCRIPTION	TLA DRAWING	PS DRAWING	SHEET	PART
TRANSFORMER/CMC,DUAL,4.3kV,SMT	HM2112ZNL-10	PS-2855.002-B	2 OF 2	HM21

E-MAIL: PRODINFONETWORK@PULSEELECTRONICS.COM(US), ASIA@PULSEELECTRONICS.COM(Asia)

PHONE: USA:858 674 8100, GERMANY:49 7032 78060, SINGAPORE:65 6287 8998, SH

Looking for pricing, stock, or lifecycle information?

Click below to explore more details on WIN SOURCE:

 [View HM2112ZNLT on WIN SOURCE](#)

 [Pulse Information](#)

Optimize Your Supply Chain with WIN SOURCE Solutions

-  Global Sourcing Solution
-  Obsolete Management
-  Cost Control Management
-  Shortage Management
-  Alternative Solution
-  Excess Inventory Management