



THE DATASHEET OF ADS5493EVM



ADS5493EVM Evaluation Module

This evaluation module (EVM) user's guide gives an overview of the ADS5493EVM and provides a general description of the features and functions to be considered while using this module.

Contents

1	Evaluation Module Description	2
2	Software Installation	3
3	ADS5493EVM Software – SPI Control	4
4	Initial EVM Setup and Basic Test Procedure	5
5	Power Supply Options	6

List of Figures

1	ADS5493EVM Overview	2
2	Installation Process of ADS5493EVM Software	3
3	EVM Software Front Panel	4
4	EVM Software Advanced Tab	4
5	Basic EVM Hardware Setup	5
6	Schematic Modification of the Analog Input Path	5
7	Typical Performance Screenshot	6
8	Power Supply Options on the ADS5493EVM	6

1 Evaluation Module Description

The ADS5493 evaluation module (EVM) is easy to set up and provides the user flexibility. On the analog side, the user can evaluate different transformers and configurations while the EVM also allows a single-ended or differential clock input.

The EVM is powered from a single 5-V power input; the user can select either LDO or switching regulator option for generating the analog and digital 3.3-V supplies for the ADS5493.

On the digital side, the EVM provides a seamless interface to the TSW1200 capture card in order to evaluate received data directly on a personal computer (PC).

The internal registers of the ADS5493 can be conveniently accessed and programmed via SPI through the USB connection using the GUI or the TSW1200. The ADS5493EVM works well in default configuration; no register programming is required.

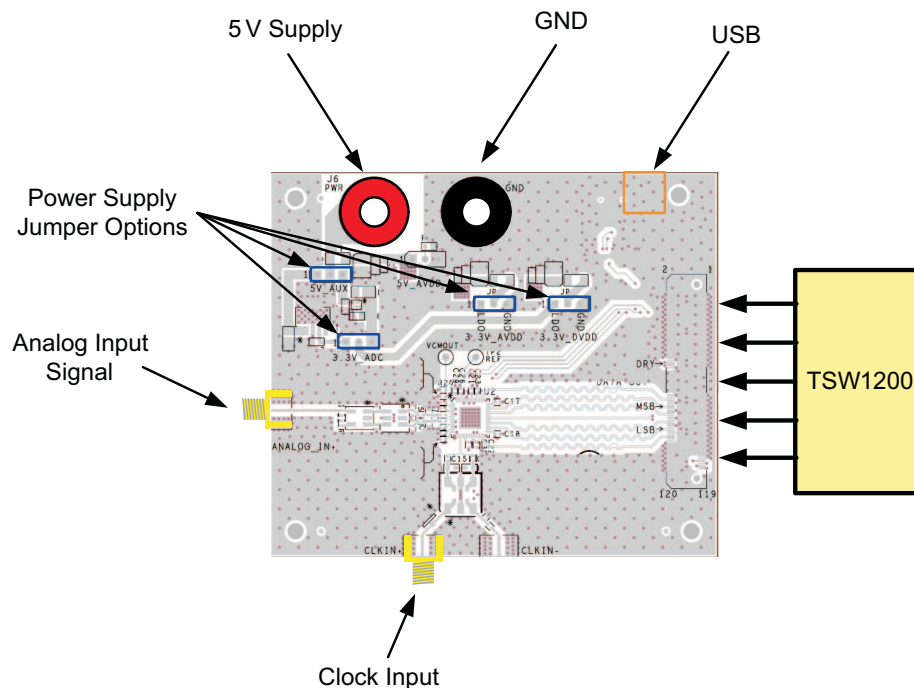


Figure 1. ADS5493EVM Overview

2 Software Installation

1. Open the folder named ADS5493_Installer_vxpx (xpx represents the latest version).
2. Run Setup.exe.
3. Follow the on-screen instructions.
4. Once installed, launch by clicking on the ADS5493_GUI_vxpx program in Start >Texas Instruments ADCs.
5. When plugging in the USB cable for the first time, you are prompted to install the USB drivers for USB Serial Converter and USB Serial Port (see [Figure 2](#)).
 - (a) Follow the on-screen instructions to install the USB drivers.
 - (b) If needed, you can access the drivers directly in the install directory



Figure 2. Installation Process of ADS5493EVM Software

2.1 ADS5493.ini file for TSW1200

The ADS5493 software package comes with a new ini file for the TSW1200. Manually place this ADS5493.ini file into the following directory in order for the TSW1200 to recognize it:

C:\Program Files\Texas Instruments\TSW1200\ADC Files

3 ADS5493EVM Software – SPI Control

The ADS5493 is fully functional without the need for register writes; however, the EVM software provides register access to the user.

The ADS5493EVM software controls the ADS5493 via SPI register writes through a USB connection with the PC. Figure 3 is a snapshot of the GUI front panel, highlighting the two tabs to control the setup of ADS5493.

It is necessary to perform a USB reset after applying power to the EVM to establish proper connection with the PC. Otherwise, a warning sign on the bottom right flashes, indicating a USB communication failure.

The EVM software also provides the option to save all registers to a file or to load registers from a file. The display in the bottom right corner provides a summary of all the registers being currently written.

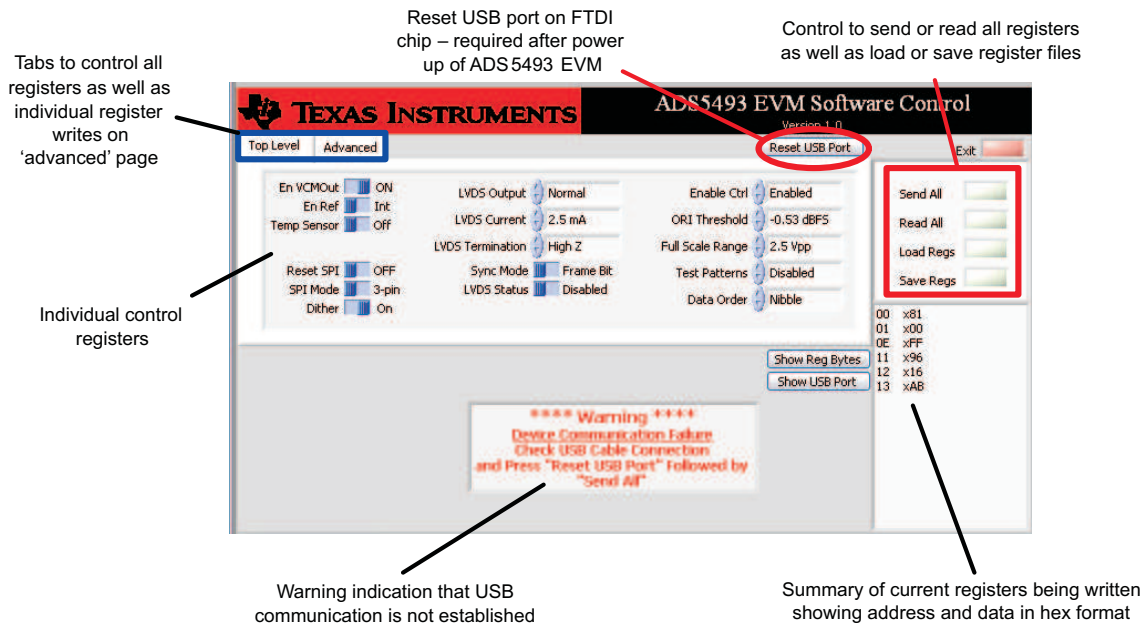


Figure 3. EVM Software Front Panel

The Advanced tab allows the user to access the SPI registers directly using individual register writes.

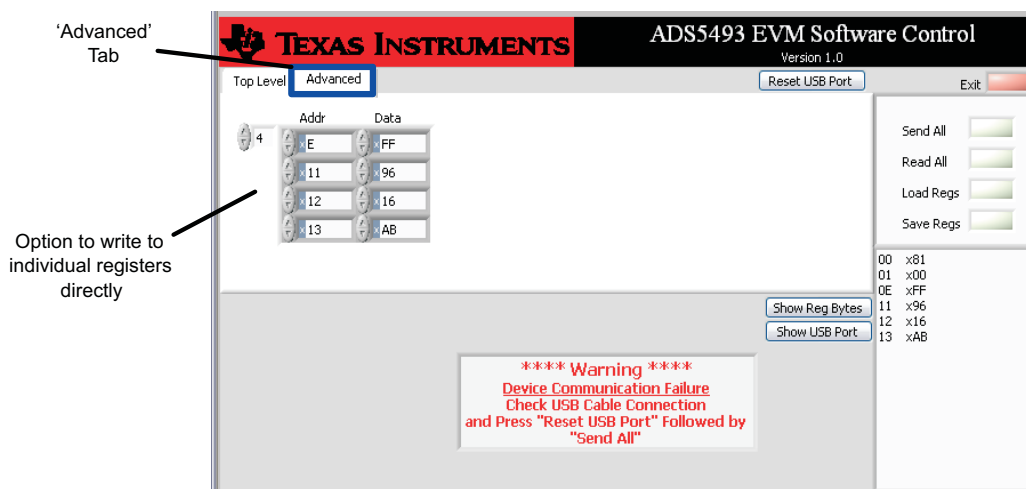


Figure 4. EVM Software Advanced Tab

4 Initial EVM Setup and Basic Test Procedure

The fastest way to get the ADS5493EVM up and running is to follow this operating procedure:

1. Two signal generators must be connected to the clock and data input of the EVM – preferably with band-pass filter and the 10-MHz reference locked for coherency
2. The TSW1200 capture card must be plugged in ADS5493EVM and connected to the PC via USB.
3. All appropriate power supplies must be connected.
4. After performing a USB reset in the ADS5493EVM software, the flashing USB warning sign disappears, indicating successful USB communication.

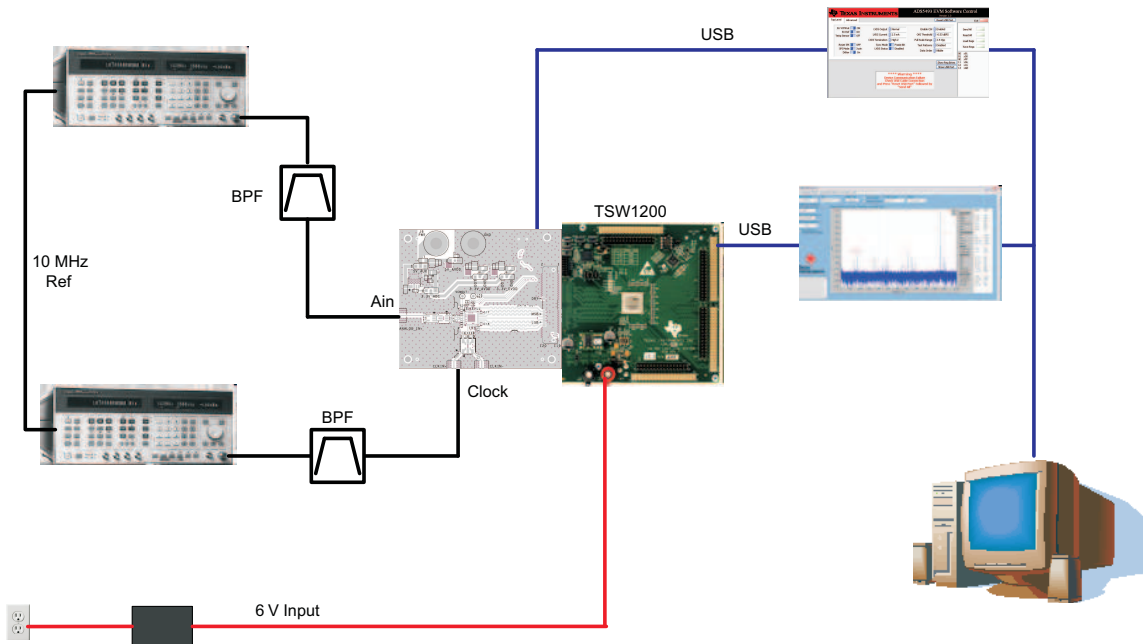


Figure 5. Basic EVM Hardware Setup

The analog input path has a 8.2-pF differential input capacitor at the analog inputs of the ADC as shown in the EVM schematic. This capacitor helps to boost the SFDR performance at higher input frequencies (>50 MHz) but is less effective at lower input frequencies.

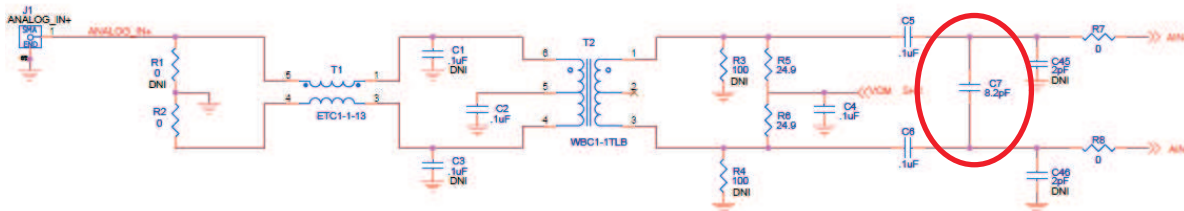


Figure 6. Schematic Modification of the Analog Input Path

In the TSW1200, the ADC selection must be set to ADS5493.

Figure 7 shows a typical performance plot at 100-MHz IF with a sample rate of 130 Mps. In this specific setup, SNR is expected to be in the range of 74–76 dBFS whereas SFDR is expected to be better than 91dBc.

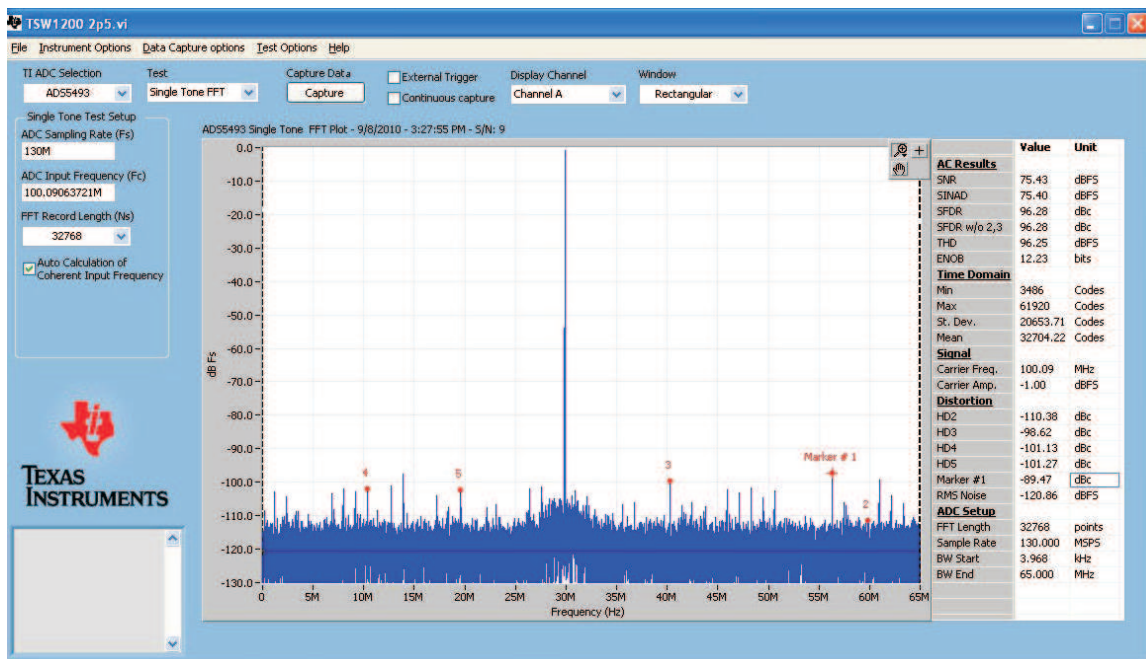


Figure 7. Typical Performance Screenshot

5 Power Supply Options

The ADS5493EVM is designed to operate from an external 5-V supply, which also connects to the 5-V analog supply of the ADS5493. The user has the option to generate the 3.3 V for the analog and digital supplies of the ADS5493 either with a LDO (TPS79533) or a switching regulator (TPS62237) by setting jumper JP2 and JP3 accordingly.

The EVM also provides additional pin headers so that the individual voltages for 5V VDDA, 3.3V VDDA and 3.3V DVDD can be supplied directly, e.g., for accurate power consumption measurements.

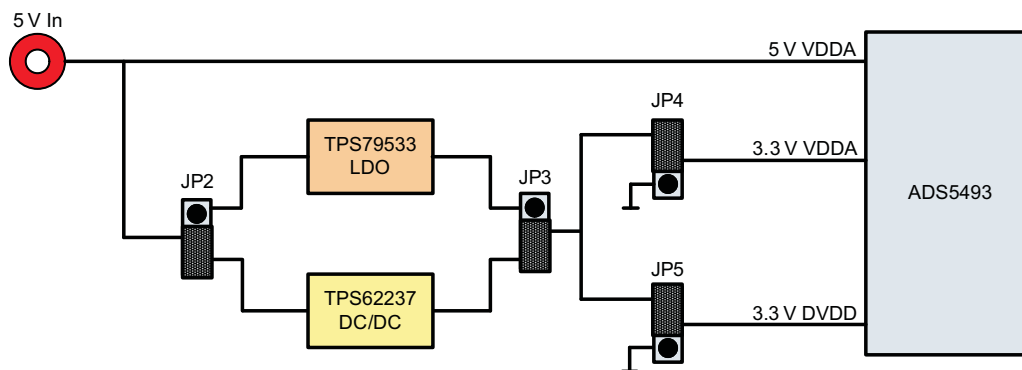


Figure 8. Power Supply Options on the ADS5493EVM

Evaluation Board/Kit Important Notice

Texas Instruments (TI) provides the enclosed product(s) under the following conditions:

This evaluation board/kit is intended for use for **ENGINEERING DEVELOPMENT, DEMONSTRATION, OR EVALUATION PURPOSES ONLY** and is not considered by TI to be a finished end-product fit for general consumer use. Persons handling the product(s) must have electronics training and observe good engineering practice standards. As such, the goods being provided are not intended to be complete in terms of required design-, marketing-, and/or manufacturing-related protective considerations, including product safety and environmental measures typically found in end products that incorporate such semiconductor components or circuit boards. This evaluation board/kit does not fall within the scope of the European Union directives regarding electromagnetic compatibility, restricted substances (RoHS), recycling (WEEE), FCC, CE or UL, and therefore may not meet the technical requirements of these directives or other related directives.

Should this evaluation board/kit not meet the specifications indicated in the User's Guide, the board/kit may be returned within 30 days from the date of delivery for a full refund. **THE FOREGOING WARRANTY IS THE EXCLUSIVE WARRANTY MADE BY SELLER TO BUYER AND IS IN LIEU OF ALL OTHER WARRANTIES, EXPRESSED, IMPLIED, OR STATUTORY, INCLUDING ANY WARRANTY OF MERCHANTABILITY OR FITNESS FOR ANY PARTICULAR PURPOSE.**

The user assumes all responsibility and liability for proper and safe handling of the goods. Further, the user indemnifies TI from all claims arising from the handling or use of the goods. Due to the open construction of the product, it is the user's responsibility to take any and all appropriate precautions with regard to electrostatic discharge.

EXCEPT TO THE EXTENT OF THE INDEMNITY SET FORTH ABOVE, NEITHER PARTY SHALL BE LIABLE TO THE OTHER FOR ANY INDIRECT, SPECIAL, INCIDENTAL, OR CONSEQUENTIAL DAMAGES.

TI currently deals with a variety of customers for products, and therefore our arrangement with the user **is not exclusive.**

TI assumes **no liability for applications assistance, customer product design, software performance, or infringement of patents or services described herein.**

Please read the User's Guide and, specifically, the Warnings and Restrictions notice in the User's Guide prior to handling the product. This notice contains important safety information about temperatures and voltages. For additional information on TI's environmental and/or safety programs, please contact the TI application engineer or visit www.ti.com/esh.

No license is granted under any patent right or other intellectual property right of TI covering or relating to any machine, process, or combination in which such TI products or services might be or are used.

FCC Warning

This evaluation board/kit is intended for use for **ENGINEERING DEVELOPMENT, DEMONSTRATION, OR EVALUATION PURPOSES ONLY** and is not considered by TI to be a finished end-product fit for general consumer use. It generates, uses, and can radiate radio frequency energy and has not been tested for compliance with the limits of computing devices pursuant to part 15 of FCC rules, which are designed to provide reasonable protection against radio frequency interference. Operation of this equipment in other environments may cause interference with radio communications, in which case the user at his own expense will be required to take whatever measures may be required to correct this interference.

EVM Warnings and Restrictions

It is important to operate this EVM within the input voltage range of -0.3 V to 5.3 V and the output voltage range of -0.3 V to 3.6 V . Exceeding the specified input range may cause unexpected operation and/or irreversible damage to the EVM. If there are questions concerning the input range, please contact a TI field representative prior to connecting the input power.

Applying loads outside of the specified output range may result in unintended operation and/or possible permanent damage to the EVM. Please consult the EVM User's Guide prior to connecting any load to the EVM output. If there is uncertainty as to the load specification, please contact a TI field representative.

During normal operation, some circuit components may have case temperatures greater than 50° C. The EVM is designed to operate properly with certain components above 25° C as long as the input and output ranges are maintained. These components include but are not limited to linear regulators, switching transistors, pass transistors, and current sense resistors. These types of devices can be identified using the EVM schematic located in the EVM User's Guide. When placing measurement probes near these devices during operation, please be aware that these devices may be very warm to the touch.

Mailing Address: Texas Instruments, Post Office Box 655303, Dallas, Texas 75265
Copyright © 2010, Texas Instruments Incorporated

IMPORTANT NOTICE

Texas Instruments Incorporated and its subsidiaries (TI) reserve the right to make corrections, modifications, enhancements, improvements, and other changes to its products and services at any time and to discontinue any product or service without notice. Customers should obtain the latest relevant information before placing orders and should verify that such information is current and complete. All products are sold subject to TI's terms and conditions of sale supplied at the time of order acknowledgment.

TI warrants performance of its hardware products to the specifications applicable at the time of sale in accordance with TI's standard warranty. Testing and other quality control techniques are used to the extent TI deems necessary to support this warranty. Except where mandated by government requirements, testing of all parameters of each product is not necessarily performed.

TI assumes no liability for applications assistance or customer product design. Customers are responsible for their products and applications using TI components. To minimize the risks associated with customer products and applications, customers should provide adequate design and operating safeguards.

TI does not warrant or represent that any license, either express or implied, is granted under any TI patent right, copyright, mask work right, or other TI intellectual property right relating to any combination, machine, or process in which TI products or services are used. Information published by TI regarding third-party products or services does not constitute a license from TI to use such products or services or a warranty or endorsement thereof. Use of such information may require a license from a third party under the patents or other intellectual property of the third party, or a license from TI under the patents or other intellectual property of TI.

Reproduction of TI information in TI data books or data sheets is permissible only if reproduction is without alteration and is accompanied by all associated warranties, conditions, limitations, and notices. Reproduction of this information with alteration is an unfair and deceptive business practice. TI is not responsible or liable for such altered documentation. Information of third parties may be subject to additional restrictions.

Resale of TI products or services with statements different from or beyond the parameters stated by TI for that product or service voids all express and any implied warranties for the associated TI product or service and is an unfair and deceptive business practice. TI is not responsible or liable for any such statements.

TI products are not authorized for use in safety-critical applications (such as life support) where a failure of the TI product would reasonably be expected to cause severe personal injury or death, unless officers of the parties have executed an agreement specifically governing such use. Buyers represent that they have all necessary expertise in the safety and regulatory ramifications of their applications, and acknowledge and agree that they are solely responsible for all legal, regulatory and safety-related requirements concerning their products and any use of TI products in such safety-critical applications, notwithstanding any applications-related information or support that may be provided by TI. Further, Buyers must fully indemnify TI and its representatives against any damages arising out of the use of TI products in such safety-critical applications.

TI products are neither designed nor intended for use in military/aerospace applications or environments unless the TI products are specifically designated by TI as military-grade or "enhanced plastic." Only products designated by TI as military-grade meet military specifications. Buyers acknowledge and agree that any such use of TI products which TI has not designated as military-grade is solely at the Buyer's risk, and that they are solely responsible for compliance with all legal and regulatory requirements in connection with such use.

TI products are neither designed nor intended for use in automotive applications or environments unless the specific TI products are designated by TI as compliant with ISO/TS 16949 requirements. Buyers acknowledge and agree that, if they use any non-designated products in automotive applications, TI will not be responsible for any failure to meet such requirements.

Following are URLs where you can obtain information on other Texas Instruments products and application solutions:

Products		Applications	
Amplifiers	amplifier.ti.com	Audio	www.ti.com/audio
Data Converters	dataconverter.ti.com	Automotive	www.ti.com/automotive
DLP® Products	www.dlp.com	Communications and Telecom	www.ti.com/communications
DSP	dsp.ti.com	Computers and Peripherals	www.ti.com/computers
Clocks and Timers	www.ti.com/clocks	Consumer Electronics	www.ti.com/consumer-apps
Interface	interface.ti.com	Energy	www.ti.com/energy
Logic	logic.ti.com	Industrial	www.ti.com/industrial
Power Mgmt	power.ti.com	Medical	www.ti.com/medical
Microcontrollers	microcontroller.ti.com	Security	www.ti.com/security
RFID	www.ti-rfid.com	Space, Avionics & Defense	www.ti.com/space-avionics-defense
RF/IF and ZigBee® Solutions	www.ti.com/lprf	Video and Imaging	www.ti.com/video
		Wireless	www.ti.com/wireless-apps

Mailing Address: Texas Instruments, Post Office Box 655303, Dallas, Texas 75265
Copyright © 2010, Texas Instruments Incorporated

Looking for pricing, stock, or lifecycle information?

Click below to explore more details on WIN SOURCE:

 [View ADS5493EVM](#) on WIN SOURCE

 [Texas Instruments](#) Information

Optimize Your Supply Chain with WIN SOURCE Solutions

-  Global Sourcing Solution
-  Obsolete Management
-  Cost Control Management
-  Shortage Management
-  Alternative Solution
-  Excess Inventory Management