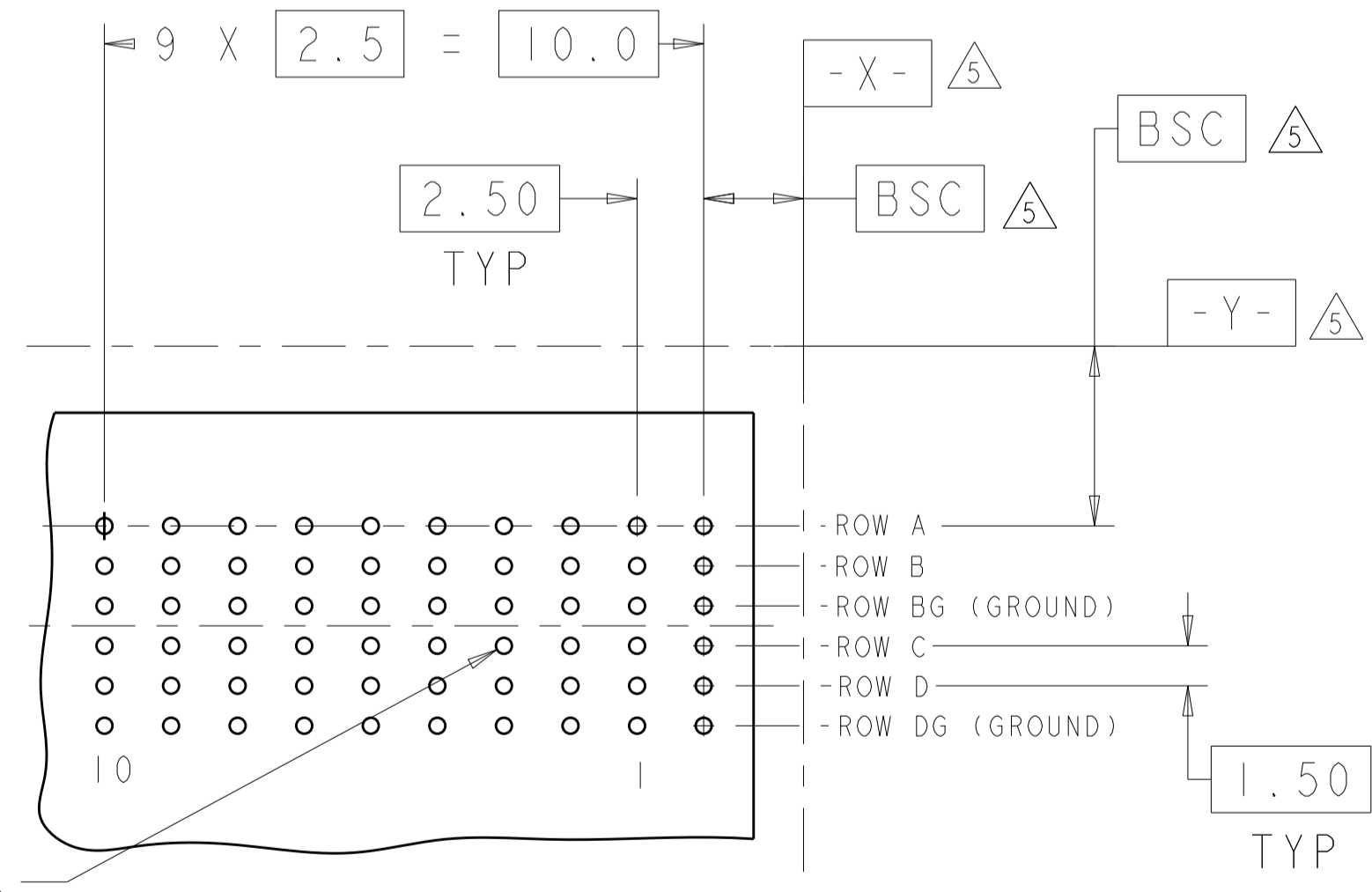
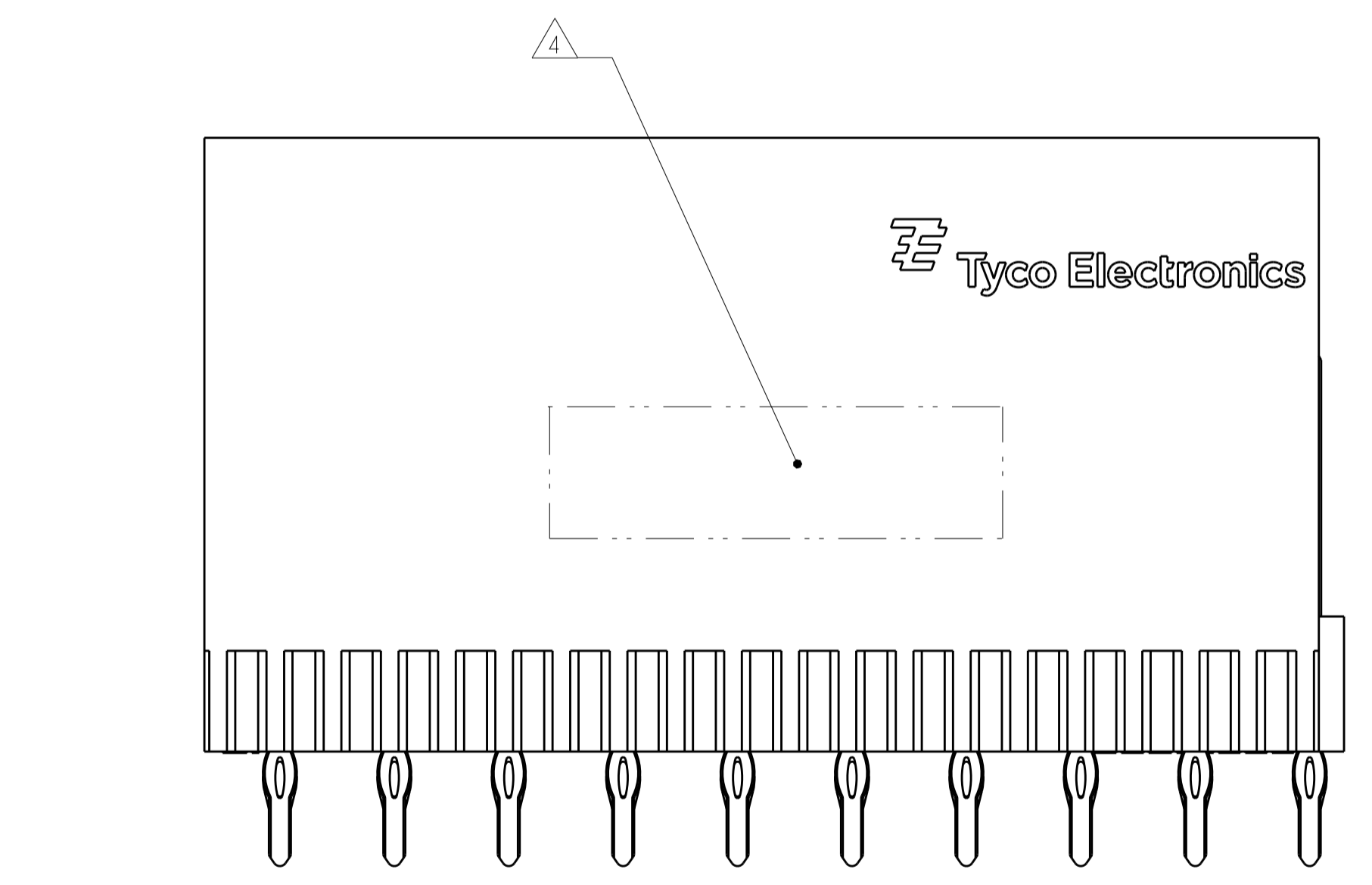
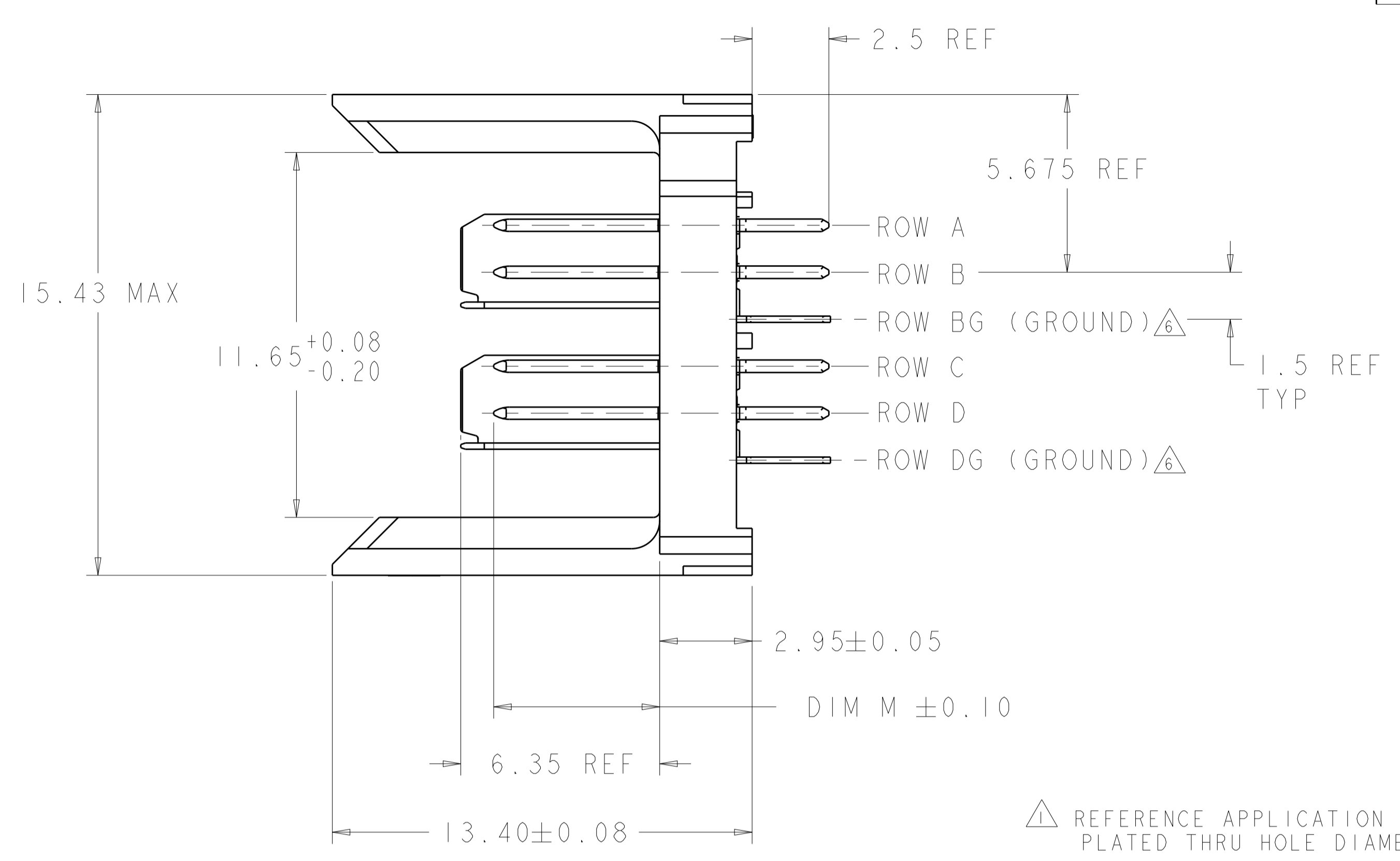
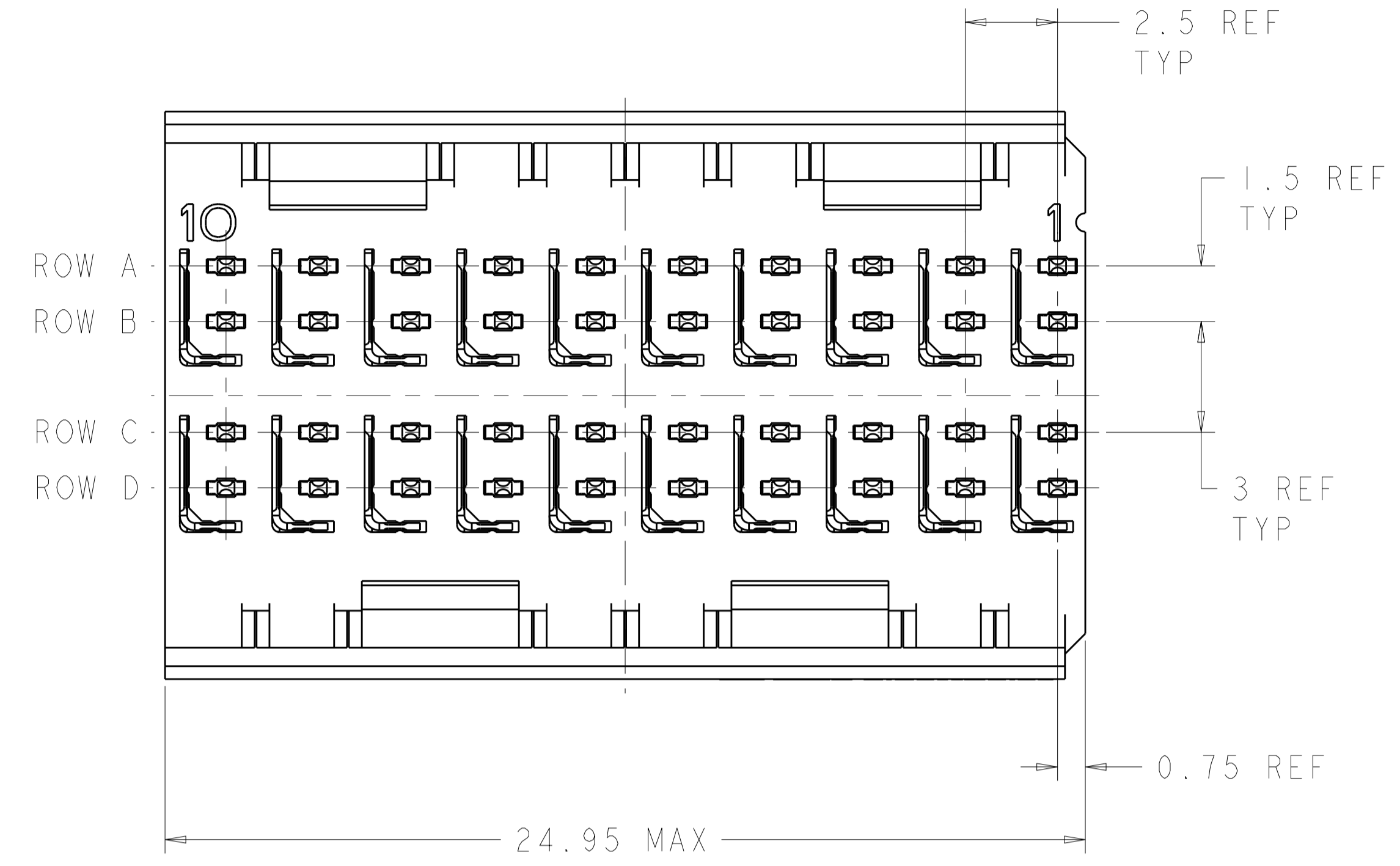




**THE DATASHEET OF**  
**1469025-1**



LOC	DIST	REVISIONS					
		P	LTN	DESCRIPTION	DATE	DWN	APVD
AD	00	E1		REVISED PER ECO-13-003342	04MAR2013	KH	MH



⊕ ∅0.05Ⓢ X Y  
 ALL PLATED THRU HOLES  
 RECOMMENDED PC BOARD LAYOUT, BACKPLANE, COMPONENT SIDE SHOWN SCALE 4:1

- △ REFERENCE APPLICATION SPEC 114-13059 FOR RECOMMENDED PLATED THRU HOLE DIAMETER AND PLATING THICKNESSES.
- △ MATERIAL:  
 CONTACT AND SHIELD - PHOSPHOR BRONZE  
 HOUSING - GLASS FILLED POLYESTER, UL 94V-0.
- △ FINISH: SIGNAL AND GROUND CONTACTS:  
 MATING AREA: MEETS THE PERFORMANCE REQUIREMENTS OF PRODUCT SPECIFICATION 108-2055; BASED ON TELCORDIA GR-1217-CORE, APPLICATIONS IN UNCONTROLLED ENVIRONMENTS  
 COMPLIANT PIN AREA: 0.5μm MIN BRIGHT TIN-LEAD OVER BASE PLATING
- △ CONNECTOR MARKED WITH PART NUMBER AND DATE CODE.
- △ DATUMS AND BASIC DIMENSIONS ESTABLISHED BY CUSTOMER.
- △ THE TWO GROUNDS IN EACH COLUMN ARE COMMONED.
- 7. CONTACT AREA LUBRICATED WITH BELLCORE APPROVED LUBRICANT. TECHNICAL REFERENCE: GR-1217-CORE, ISSUE 1, NOVEMBER 1995.

SUPERSEDED BY 6469025-2	3.80	1469025-2
	5.30	1469025-1
	DIM M	PART NUMBER

THIS DRAWING IS A CONTROLLED DOCUMENT.		DWN R.S.KLINE 11OCT2000	TE Connectivity	
DIMENSIONS: mm		CHK R.PATTERSON 16AUG2007	NAME	
TOLERANCES UNLESS OTHERWISE SPECIFIED:		APVD N.SCHROLL 13SEP01	PRODUCT SPEC	
0 PLC ±		APPLICATION SPEC		
1 PLC ±		SIZE CAGE CODE DRAWING NO		
2 PLC ±		RESTRICTED TO		
3 PLC ±		A100779C=1469025		
4 PLC ±		SCALE 8:1 SHEET 1 OF 1 REV E1		
ANGLES ±		Customer Drawing		
FINISH				

## Looking for pricing, stock, or lifecycle information?

Click below to explore more details on WIN SOURCE:

 [View 1469025-1](#) on WIN SOURCE

 [TE Connectivity](#) Information

## Optimize Your Supply Chain with WIN SOURCE Solutions

-  Global Sourcing Solution
-  Obsolete Management
-  Cost Control Management
-  Shortage Management
-  Alternative Solution
-  Excess Inventory Management