



THE DATASHEET OF TMDSRGBLEDKIT



Microcontrollers for Advanced Lighting Solutions



TI's MCU lighting solutions give designers efficient, flexible and scalable intelligent lighting management and control

Intelligent lighting is the ability to reduce the amount of light and/or energy used so that only the right amount of light is delivered exactly where it is needed. Digitally controlled lighting using microcontrollers (MCUs) allows developers to take advantage of the

unique characteristics of LEDs and other light sources to develop efficient, scalable and flexible designs for intelligent lighting. With digital control, designers can scale and easily adjust designs to multiple applications, maximizing reuse and decreasing design

time. A digital approach also allows many hardware features, such as soft startup, delay and PWM phase shifting, to be implemented in software, eliminating extra components, cost and complexity. TI's communications and control solutions are for both wired and wireless systems supporting a wide selection of communication standards.

Texas Instruments offers a broad suite of microcontroller solutions for your LED and other lighting design and control needs as well as demonstration platforms and development kits. The table to the left is a sample of what is available now. For more information on these and new products throughout the year, visit www.ti.com/mculighting.

Solution/Protocol	Product	Tool/Kit	For more info
DALI	MSP430™ MCU/ Piccolo™ (C2000™ MCU)	TPS62660 LED-338 EVM TMDSIACLEDCOMKIT	www.ti.com/daliappnote
DMX512	MSP430 MCU/ Stellaris®/ Piccolo (C2000 MCU)	DMX512 apps note Third-party design TMDSIACLEDCOMKIT	MSP430 – Demo code and reference design is available upon request at www.ti.com/technicalsupport ; Stellaris – Available through third-party Golden IC Technology Co., Ltd. support@golden-ic.com
Power line communication	C2000 MCUs	TMDSPCLKIT-V3 TMDSIACLEDCOMKIT	www.ti.com/plc
ZigBee® / 802.15.4	MSP430F54xxA	MSP430F5438 Experimenter's Board	www.ti.com/msp430f5438
6LoWPAN	CC430 (MSP430 MCU + Low-Power RF)	Third-party design	Available through third-party Sensinode, www.sensinode.com/EN/contact
Digital power	Piccolo (C2000 MCU)	TMDSDCDCLEDKIT TMDSRGBLEDKIT TMDSIACLEDCOMKIT	www.ti.com/led_devkit www.ti.com/rgb_led www.ti.com/tool/tmdsiacledcomkit
Digital signal control (with many PWMs)	Stellaris LM4F	Evaluation kit with up to 40 PWM outputs	www.ti.com/cortexm4f
Control, sensing and dimming solutions	MSP430 MCU	Development and evaluation kits	www.ti.com/msp430

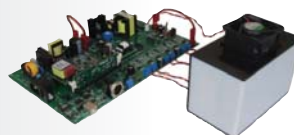
Key benefits

- Support for industry-standard communications: Power line communications (PLC), DALI, DMX512, ZigBee®, 6LoWPAN, and many others
- Design flexibility and scalability for maximum reuse of designs and cost management
- High-efficiency control of LEDs and other light sources
- Intelligent lighting management enables smarter light fixtures to handle lumen maintenance to improve reliability and lifetime of LEDs
- Power supply integration through digital power for an adaptable, full-system design with fewer components
- Accelerated development with extensive array of evaluation tools and kits

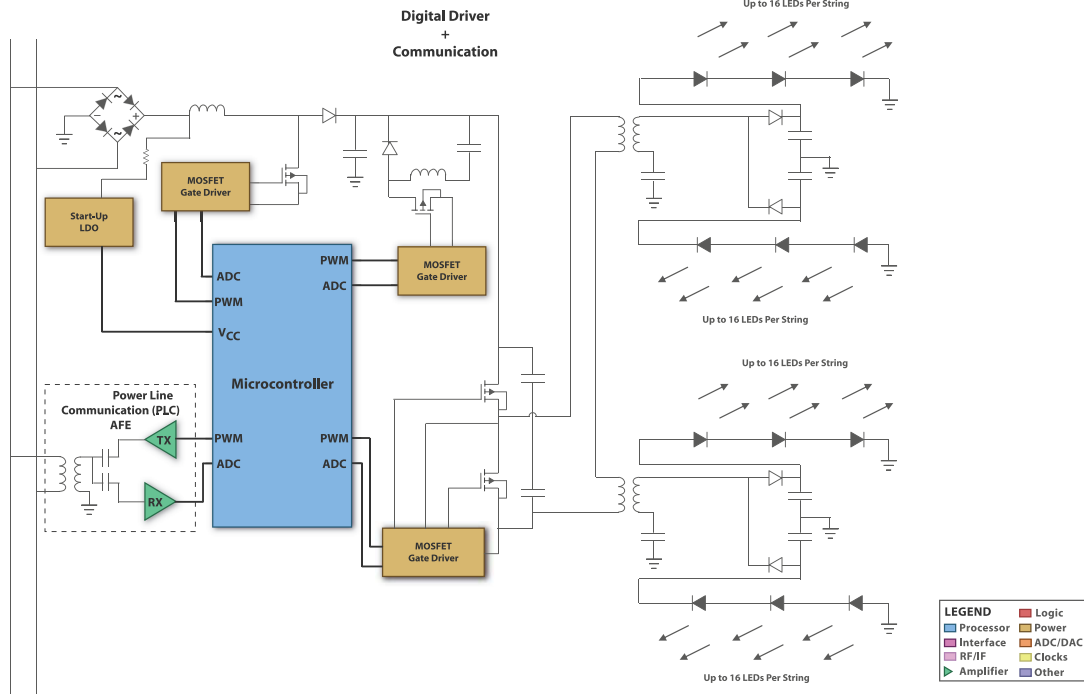
Create intelligent lighting products with Piccolo MCUs:

- Independent dimming of 6 LED strings
- Communications support including: DALI, DMX512, and Power Line Communications (PLC)
- Intelligent MCU control of power stage, lighting, and communications
- Full AC mains-powered reference design

Piccolo AC LED Lighting & Communications Kit TMDSIACLEDCOMKIT



MCU Advanced Lighting: Multi-String LED Driver



▲ Digital control of LEDs using MCUs allows developers to take full advantage of the unique characteristics of LEDs. TI's C2000™ and Piccolo™ real-time MCUs can perform all power management functions needed in a lighting product, giving flexibility for regional products or quick design spins. MCUs have a low-cost adder for additional LED strings, a high-dimming ratio of greater than 20,000:1 and a high PWM-dimming frequency of >100KHz. Digital communications can be achieved via wired or wireless communications through a number of different communication standards including 6LoWPAN and power line communications. TI offers microcontroller solutions for all your LED lighting design and control needs, including demonstration platforms and development kits. Visit www.ti.com/led for more information.

TI Worldwide Technical Support

Internet

TI Semiconductor Product Information Center Home Page

support.ti.com

TI E2E™ Community Home Page

e2e.ti.com

Product Information Centers

Americas	Phone	+1(972) 644-5580
Brazil	Phone	0800-891-2616
Mexico	Phone	0800-670-7544
	Fax	+1(972) 927-6377
	Internet/Email	support.ti.com/sc/pic/americas.htm

Europe, Middle East, and Africa

Phone		
European Free Call	00800-ASK-TEXAS (00800 275 83927)	
International	+49 (0) 8161 80 2121	
Russian Support	+7 (4) 95 98 10 701	
Note: The European Free Call (Toll Free) number is not active in all countries. If you have technical difficulty calling the free call number, please use the international number above.		
Fax	+ (49) (0) 8161 80 2045	
Internet	www.ti.com/asktexas	
Direct Email	asktexas@ti.com	

Japan

Phone	Domestic	0120-92-3326
Fax	International	+81-3-3344-5317
	Domestic	0120-81-0036
Internet/Email	International	support.ti.com/sc/pic/japan.htm
	Domestic	www.tij.co.jp/pic

Asia

Phone		
International	+91-80-41381665	
Domestic	<u>Toll-Free Number</u>	
Note: Toll-free numbers do not support mobile and IP phones.		
Australia	1-800-999-084	
China	800-820-8682	
Hong Kong	800-96-5941	
India	1-800-425-7888	
Indonesia	001-803-8861-1006	
Korea	080-551-2804	
Malaysia	1-800-80-3973	
New Zealand	0800-446-934	
Philippines	1-800-765-7404	
Singapore	800-886-1028	
Taiwan	0800-006800	
Thailand	001-800-886-0010	
Fax	+8621-23073686	
Email	tiasia@ti.com or ti-china@ti.com	
Internet	support.ti.com/sc/pic/asia.htm	

Important Notice: The products and services of Texas Instruments Incorporated and its subsidiaries described herein are sold subject to TI's standard terms and conditions of sale. Customers are advised to obtain the most current and complete information about TI products and services before placing orders. TI assumes no liability for applications assistance, customer's applications or product designs, software performance, or infringement of patents. The publication of information regarding any other company's products or services does not constitute TI's approval, warranty or endorsement thereof.

B011012

The platform bar, E2E, C2000, MSP430 and Piccolo are trademarks and Stellaris is a registered trademark of Texas Instruments.

All other trademarks are the property of their respective owners.

IMPORTANT NOTICE

Texas Instruments Incorporated and its subsidiaries (TI) reserve the right to make corrections, modifications, enhancements, improvements, and other changes to its products and services at any time and to discontinue any product or service without notice. Customers should obtain the latest relevant information before placing orders and should verify that such information is current and complete. All products are sold subject to TI's terms and conditions of sale supplied at the time of order acknowledgment.

TI warrants performance of its hardware products to the specifications applicable at the time of sale in accordance with TI's standard warranty. Testing and other quality control techniques are used to the extent TI deems necessary to support this warranty. Except where mandated by government requirements, testing of all parameters of each product is not necessarily performed.

TI assumes no liability for applications assistance or customer product design. Customers are responsible for their products and applications using TI components. To minimize the risks associated with customer products and applications, customers should provide adequate design and operating safeguards.

TI does not warrant or represent that any license, either express or implied, is granted under any TI patent right, copyright, mask work right, or other TI intellectual property right relating to any combination, machine, or process in which TI products or services are used. Information published by TI regarding third-party products or services does not constitute a license from TI to use such products or services or a warranty or endorsement thereof. Use of such information may require a license from a third party under the patents or other intellectual property of the third party, or a license from TI under the patents or other intellectual property of TI.

Reproduction of TI information in TI data books or data sheets is permissible only if reproduction is without alteration and is accompanied by all associated warranties, conditions, limitations, and notices. Reproduction of this information with alteration is an unfair and deceptive business practice. TI is not responsible or liable for such altered documentation. Information of third parties may be subject to additional restrictions.

Resale of TI products or services with statements different from or beyond the parameters stated by TI for that product or service voids all express and any implied warranties for the associated TI product or service and is an unfair and deceptive business practice. TI is not responsible or liable for any such statements.

TI products are not authorized for use in safety-critical applications (such as life support) where a failure of the TI product would reasonably be expected to cause severe personal injury or death, unless officers of the parties have executed an agreement specifically governing such use. Buyers represent that they have all necessary expertise in the safety and regulatory ramifications of their applications, and acknowledge and agree that they are solely responsible for all legal, regulatory and safety-related requirements concerning their products and any use of TI products in such safety-critical applications, notwithstanding any applications-related information or support that may be provided by TI. Further, Buyers must fully indemnify TI and its representatives against any damages arising out of the use of TI products in such safety-critical applications.

TI products are neither designed nor intended for use in military/aerospace applications or environments unless the TI products are specifically designated by TI as military-grade or "enhanced plastic." Only products designated by TI as military-grade meet military specifications. Buyers acknowledge and agree that any such use of TI products which TI has not designated as military-grade is solely at the Buyer's risk, and that they are solely responsible for compliance with all legal and regulatory requirements in connection with such use.

TI products are neither designed nor intended for use in automotive applications or environments unless the specific TI products are designated by TI as compliant with ISO/TS 16949 requirements. Buyers acknowledge and agree that, if they use any non-designated products in automotive applications, TI will not be responsible for any failure to meet such requirements.

Following are URLs where you can obtain information on other Texas Instruments products and application solutions:

Products

Audio	www.ti.com/audio
Amplifiers	amplifier.ti.com
Data Converters	dataconverter.ti.com
DLP® Products	www.dlp.com
DSP	dsp.ti.com
Clocks and Timers	www.ti.com/clocks
Interface	interface.ti.com
Logic	logic.ti.com
Power Mgmt	power.ti.com
Microcontrollers	microcontroller.ti.com
RFID	www.ti-rfid.com
OMAP Mobile Processors	www.ti.com/omap
Wireless Connectivity	www.ti.com/wirelessconnectivity

Applications

Automotive and Transportation	www.ti.com/automotive
Communications and Telecom	www.ti.com/communications
Computers and Peripherals	www.ti.com/computers
Consumer Electronics	www.ti.com/consumer-apps
Energy and Lighting	www.ti.com/energy
Industrial	www.ti.com/industrial
Medical	www.ti.com/medical
Security	www.ti.com/security
Space, Avionics and Defense	www.ti.com/space-avionics-defense
Video and Imaging	www.ti.com/video

TI E2E Community Home Page

e2e.ti.com

Mailing Address: Texas Instruments, Post Office Box 655303, Dallas, Texas 75265
Copyright © 2012, Texas Instruments Incorporated

Looking for pricing, stock, or lifecycle information?

Click below to explore more details on WIN SOURCE:

- ⊖ [View TMSRGGLEDKIT on WIN SOURCE](#)
- ⊖ [Texas Instruments](#) Information

Optimize Your Supply Chain with WIN SOURCE Solutions

- ✓ Global Sourcing Solution
- ✓ Obsolete Management
- ✓ Cost Control Management
- ✓ Shortage Management
- ✓ Alternative Solution
- ✓ Excess Inventory Management