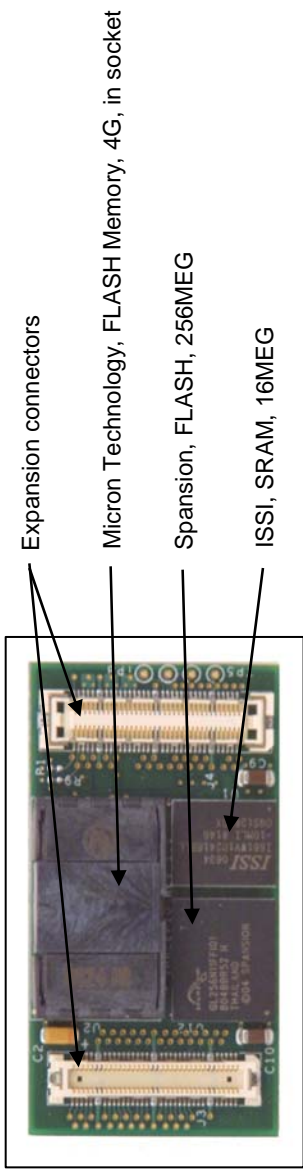




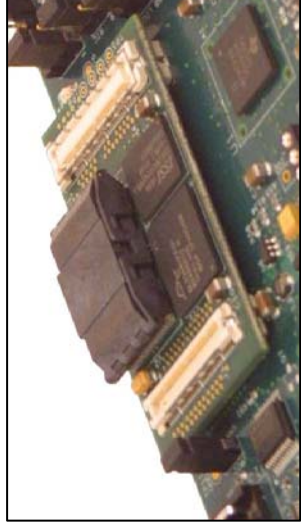
THE DATASHEET OF TMDSMCD5505



3.3V Memory Card



Top View 3.3V Memory Card



3.3V Memory Card Mounted on C5505 EVM

Compatibility: C5505 EVM

TI Part #: TMDSMCD5505

TI Price: \$ 149.00 USD

Size: 1.99 x 1.07" (50.55 x 27.18mm)

Looking for pricing, stock, or lifecycle information?

Click below to explore more details on WIN SOURCE:

 [View TMDSMCD5505](#) on WIN SOURCE

 [Texas Instruments](#) Information

Optimize Your Supply Chain with WIN SOURCE Solutions

-  Global Sourcing Solution
-  Obsolete Management
-  Cost Control Management
-  Shortage Management
-  Alternative Solution
-  Excess Inventory Management