



**THE DATASHEET OF
TMDXMDKEK1258**



Low-power signal chain solutions based on C5505 DSP for portable medical application development

Electrocardiogram (ECG), Pulse Oximeter (PO) and Digital Stethoscope (DS) Medical Development Kits



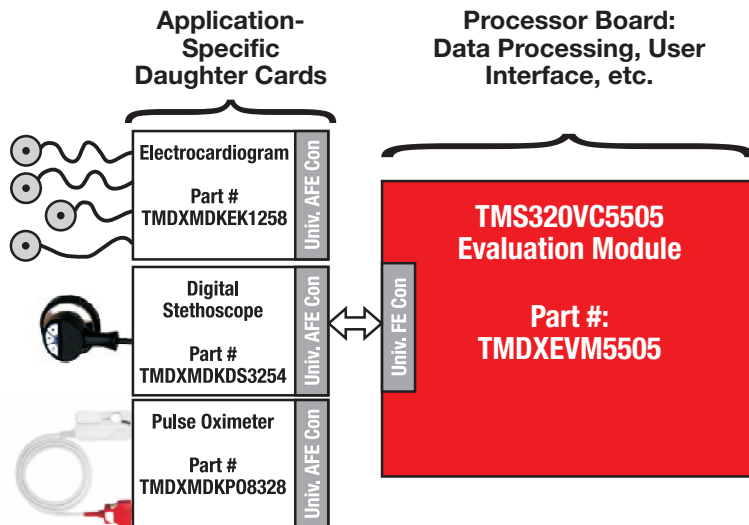
The portable medical applications market is growing rapidly and companies with limited teams and expertise need to enter quickly to meet consumers' growing need for devices that are more portable, consume less power and provide more sophistication, all at a lower cost. To answer these needs, TI has launched a set of medical application development tools with complete signal chain designs and software for electrocardiograms, digital stethoscopes, and pulse oximeter products.

Each of the three medical development kits (MDKs) is comprised by purchasing an analog front-end (AFE) module with specific circuitry

design optimized for each end product plus a TMS320VC5505 DSP Evaluation Module (EVM). With hardware and software design information, including schematics, application source code, medical-specific algorithms and technical documents, each MDK decreases the development time for customers by six to eight months. In addition, MDKs provide a great evaluation platform to help medical device manufacturers focus on product differentiation, like algorithm development and feature enhancement. They also lower the barrier for novice developers who want to enter the medical industry quickly.

Key Benefits

- Extended battery life based on low power components
 - TI's latest low-power DSP TMS320VC5505
 - Low-power audio codecs, A/D, D/A and other analog parts
- Increased user functionality:
 - Real-time medical information display and menu option on LCD screen and PC monitor
 - Audio recording and playback
 - Faster data transfer using high-speed USB 2.0 port
 - Alert indication and more connectivity options
- Smarter and greener platform with FFT hardware accelerator for high-end portable medical devices



To the left is a system block diagram of the three medical development kits. Through standard connector interfaces, users can get the most flexibility of mix-and-match analog front-end modules with multiple TI processor platforms, maximizing their return on investment. Moreover, by choosing low-power IC components, MDK designs offer longer battery life to enable more portability in the end products.

▲ Figure 1: TMS320VC5505 Medical Development Kits system block diagram

ECG system solution features

- 12-lead ECG output using 10-electrode input
- Bandwidth – 0.05 Hz to 150 Hz
- Leads-off detection
- Real-time ECG waveform display on LCD
- ECG waveform display on PC
- Defibrillator protection
- Heart-beat rate display
- 4-KV isolation (required only when operating on AC power)
- 10 μ A leakage current
- Display waveform and other indications on LCD display unit

Digital stethoscope system solution features

- Display of heart-beat rate
- Audio output in three selectable modes:
 - Bell mode (20 Hz to 220 Hz)
 - Diaphragm mode (50 Hz to 600 Hz)
 - Extended range (20 Hz to 2000 Hz)
- Volume control and mute
- Noise-reduction filters
- Headphone / speaker output

Pulse oximeter system solution features

- Digital display of oxygen level percentage ranging from 0 to 100 percent
- Pulse range 20 to 300 beats per minute (BPM) (heart rate value in full range)
- Perfusion index check
- Sensor-off detection
- Display waveform and other indications on LCD display unit

Common features

- Display waveform and other indications on PC monitor
- Playback and record signals
- Store data on PC
- User friendly GUI
- Power switch for hard reset
- Scalable software implementation based on user needs
- UART port to connect to PC for data downloading

Pricing and availability

The electrocardiogram (ECG) analog front-end module (part number TMDXMDKEK1258) is available and priced at U.S. \$449.00.

www.ti.com/ecg

The digital stethoscope (DS) analog front-end module (part number TMDXMDKDS3254) is available and is priced at U.S. \$375.00.

www.ti.com/ds

The pulse oximeter (PO) analog front-end module (part number TMDXMDKPO8328) is available and priced at U.S. \$395.00.

www.ti.com/po

The TMS320VC5505 DSP evaluation module (part number TMDXEVM5505) is available and priced at U.S. \$395.00.

www.ti.com/c5505evm

Purchase of any of the boards will get free access to ECG, digital stethoscope and pulse oximeter MDK implementation sample code based on the TMS320VC5505 platform and MDK PC application software.

TI Worldwide Technical Support

Internet

TI SC Product Information Center Home Page
support.ti.com

TI Semiconductor KnowledgeBase Home Page
support.ti.com/sc/knowledgebase

Product Information Centers

Americas

Phone +1(972) 644-5580
Fax +1(972) 927-6377
Internet/E-mail support.ti.com/sc/pic/americas.htm

Europe, Middle East, and Africa

Phone
European Free Call 00800-ASK-TEXAS
(00800 275 83927)
International +49 (0) 8161 80 2121
Russian Support +7 (4) 95 98 10 701

Note: The European Free Call (Toll Free) number is not active in all countries. If you have technical difficulty calling the free call number, please use the international number above.

Fax +49(0) 8161 80 2045
Internet support.ti.com/sc/pic/euro.htm

Japan

Fax International +81-3-3344-5317
Domestic 0120-81-0036
Internet/E-mail International
support.ti.com/sc/pic/japan.htm
Domestic www.tij.co.jp/pic

Asia

Phone
International +91-80-41381665
Domestic **Toll-Free Number**
Australia 1-800-999-084
China 800-820-8682
Hong Kong 800-96-5941
India 1-800-425-7888
Indonesia 001-803-8861-1006
Korea 080-551-2804
Malaysia 1-800-80-3973
New Zealand 0800-446-934
Philippines 1-800-765-7404
Singapore 800-886-1028
Taiwan 0800-006800
Thailand 001-800-886-0010
Fax +886-2-2378-6808
E-mail tiasia@ti.com
ti-china@ti.com
Internet support.ti.com/sc/pic/asia.htm

Important Notice: The products and services of Texas Instruments Incorporated and its subsidiaries described herein are sold subject to TI's standard terms and conditions of sale. Customers are advised to obtain the most current and complete information about TI products and services before placing orders. TI assumes no liability for applications assistance, customer's applications or product designs, software performance, or infringement of patents. The publication of information regarding any other company's products or services does not constitute TI's approval, warranty or endorsement thereof.

The platform bar is a trademark of Texas Instruments. All other trademarks are the property of their respective owners.

Looking for pricing, stock, or lifecycle information?

Click below to explore more details on WIN SOURCE:

 [View TMDXMDKEK1258](#) on WIN SOURCE

 [Texas Instruments](#) Information

Optimize Your Supply Chain with WIN SOURCE Solutions

-  Global Sourcing Solution
-  Obsolete Management
-  Cost Control Management
-  Shortage Management
-  Alternative Solution
-  Excess Inventory Management