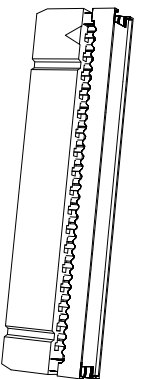
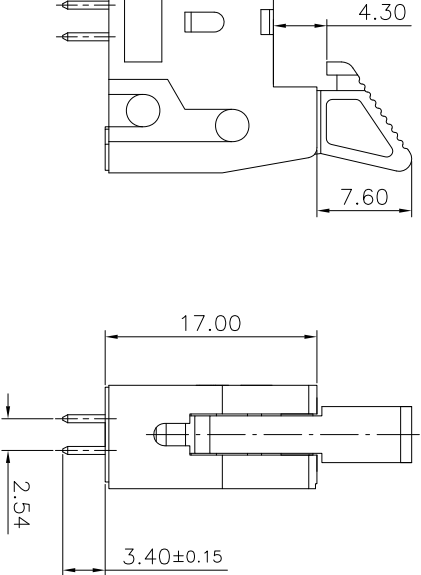
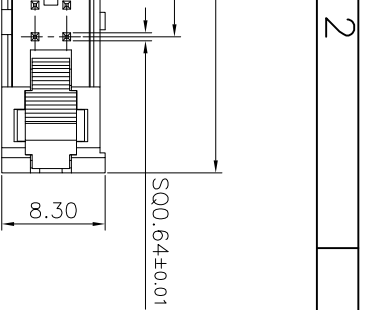




**THE DATASHEET OF
3010-16-001-12-00**

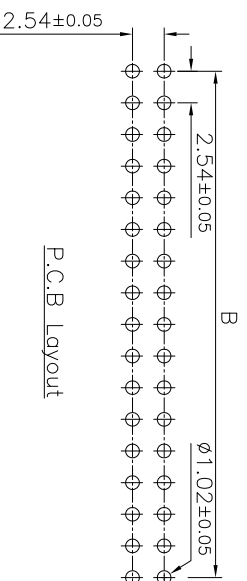




MATING PART
3030-XX-0101-00

Specifications
 Current Rating:3.0A AC/DC
 Voltage Rating:250V AC/DC
 Contact Resistance:20m ohm, Max
 Insulation Resistance:1000M ohm, Min
 Withstanding Voltage:600V AC For one minute
 Operating Temperature Range : -40°C to +105°C

Material:
 Plastic:PBT (UL94V-0)
 Standard Color:Black
 Contact:Copper Alloy
 Plating:Gold Plated



P.C.B. Layout

Notes:
 60P、64P With Three Key
 All Other Pin With One Key

Circuits	Dim A	Dim B	Circuits	Dim A	Dim B
6	27.12	5.08	26	52.52	30.48
8	29.66	7.62	30	57.60	35.56
10	32.20	10.16	34	62.68	40.64
12	34.74	12.70	40	70.30	48.26
14	37.28	15.24	50	83.00	60.96
16	39.82	17.78	60	95.70	73.66
20	44.90	22.86	64	100.78	78.74
24	49.98	27.94			

RoHS Compliant

GENERAL TOLERANCE:

.X = ±0.20
.XX = ±0.15

DRAWN:

Romina Wu

CHECKED:

Jerry Chen

APPROVAL:

Rory Chen

GENERAL TOLERANCE:

.X = ±0.20
.XX = ±0.15

UNIT: MM

SCALE:1:1

SHEET: 1 / 1

PROJECTION:



DESCRIPTION:

2.54mm Shrouded Header With Ejector Straight Type

PART NO:

3010-XX-001-12-00

SIZE

A4

CnC Tech
Industrial Cable and Connector Technology

2

3

4

5

A

B

C

D

Looking for pricing, stock, or lifecycle information?

Click below to explore more details on WIN SOURCE:

- [View 3010-16-001-12-00 on WIN SOURCE](#)
- [CNC Tech Information](#)

Optimize Your Supply Chain with WIN SOURCE Solutions

- ✓ Global Sourcing Solution
- ✓ Obsolete Management
- ✓ Cost Control Management
- ✓ Shortage Management
- ✓ Alternative Solution
- ✓ Excess Inventory Management