



# THE DATASHEET OF TSM36ADBZR



# TSM36A Surge Protection Device in SOT-23 Package

## 1 Features

- Unidirectional surge protection against 1.7 kV, 42 Ω IEC 61000-4-5 surge test for industrial signal lines
- Robust surge protection:
  - IEC61000-4-5 (8/20 μs): 41 A
- Low clamping voltage of 50 V at 25 A for 8/20 μs surge current protects downstream components
- 36 V working voltage for protecting signals on 24-V systems
- Low leakage current of 1 μA
- Low dynamic resistance of 0.5 Ω
- Integrated level 4 IEC 61000-4-2 ESD protection
- 30-kV ESD protection (IEC 61000-4-2)
- SOT-23 (DBZ) small, standard, common footprint
- Leaded package used for automatic optical inspection (AOI)

## 2 Applications

- Industrial sensors
- IO link
- PLC I/O modules
- 24-V power lines or digital input or output lines
- 4/20-mA loops
- [Appliances](#)
- [Medical equipment](#)
- [Motor drivers](#)

## 3 Description

The TSM36A is a part of TI's surge protection device family. The TSM36A robustly shunts up to 41 A of IEC 61000-4-5 fault current to protect systems from high power transients or lightning strikes. The device offers a solution to the common industrial signal line EMC requirement to survive up to 1.7 kV IEC 61000-4-5 open circuit voltage coupled through a 42 Ω impedance. The TSM36A clamps during a surge event, assuring system exposure below 50 V at  $I_{PP} = 25$  A.

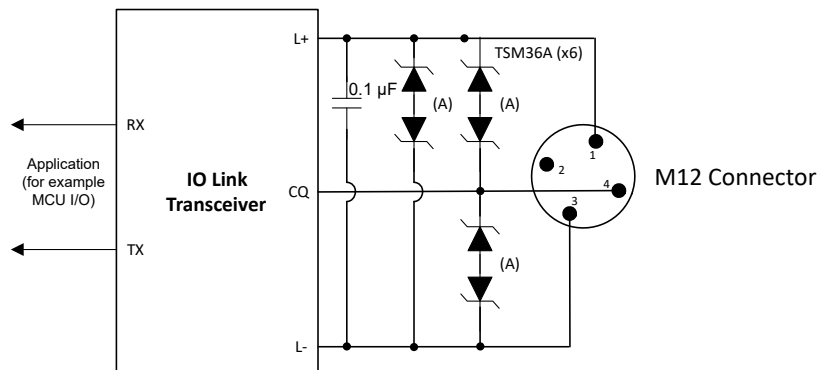
Additionally, the TSM36A is available in a small leaded SOT-23 (DBZ) package which is reduced in size by approximately 50 percent compared to the industry standard SMA package. The extremely low device leakage and capacitance ensures a minimal effect on the protected line.

For more information on the other devices in the surge family, see the products at this [link](#).

### Package Information<sup>(1)</sup>

PART NUMBER	PACKAGE	BODY SIZE (NOM)
TSM36A	DBZ (SOT-23, 3)	2.92 mm × 1.30 mm

(1) For all available packages, see the orderable addendum at the end of the data sheet.



- A. Diagram shows two TSM36A unidirectional devices stacked in series with the anodes tied back-to-back to protect between the respective signals.

### Industrial Sensors IO Link Application



## Table of Contents

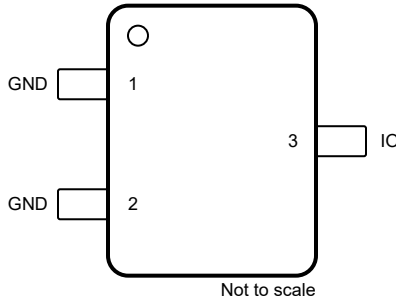
<b>1 Features</b> .....	1	7.4 Device Functional Modes.....	7
<b>2 Applications</b> .....	1	<b>8 Application and Implementation</b> .....	8
<b>3 Description</b> .....	1	8.1 Application Information.....	8
<b>4 Revision History</b> .....	2	8.2 Typical Application.....	8
<b>5 Pin Configuration and Functions</b> .....	3	<b>9 Power Supply Recommendations</b> .....	9
<b>6 Specifications</b> .....	4	<b>10 Layout</b> .....	10
6.1 Absolute Maximum Ratings.....	4	10.1 Layout Guidelines.....	10
6.2 ESD Ratings—JEDEC Specification.....	4	10.2 Layout Example.....	10
6.3 ESD Ratings—IEC Specification.....	4	<b>11 Device and Documentation Support</b> .....	11
6.4 Recommended Operating Conditions.....	4	11.1 Documentation Support.....	11
6.5 Thermal Information.....	4	11.2 Receiving Notification of Documentation Updates..	11
6.6 Electrical Characteristics.....	5	11.3 Support Resources.....	11
6.7 Typical Characteristics.....	6	11.4 Trademarks.....	11
<b>7 Detailed Description</b> .....	7	11.5 Electrostatic Discharge Caution.....	11
7.1 Overview.....	7	11.6 Glossary.....	11
7.2 Functional Block Diagram.....	7	<b>12 Mechanical, Packaging, and Orderable Information</b> .....	11
7.3 Feature Description.....	7		

## 4 Revision History

NOTE: Page numbers for previous revisions may differ from page numbers in the current version.

Changes from Revision * (June 2022) to Revision A (October 2022)	Page
• Changed the status of the data sheet from: <i>Advanced Information</i> to: <i>Production Data</i> .....	1

## 5 Pin Configuration and Functions



**Figure 5-1. DBZ Package,  
3-Pin SOT-23  
(Top View)**

**Table 5-1. Pin Functions**

PIN		TYPE <sup>(1)</sup>	DESCRIPTION
NAME	NO.		
IO	3	I/O	Surge and ESD protected IO
GND	1, 2	G	Connect to ground. To achieve the rated performance, it is required to connect pin 1 and 2 together on the PCB as close to the device as possible.

(1) I = Input, O = Output, I/O = Input or Output, G = Ground, P = Power

## 6 Specifications

### 6.1 Absolute Maximum Ratings

$T_A = 25^\circ\text{C}$  (unless otherwise noted) <sup>(1)</sup>

Parameter		Device	MIN	MAX	UNIT
$P_{pk\_8\_20}$	IEC 61000-4-5 Power ( $t_p - 8/20 \mu\text{s}$ )	TSM36A		2000	W
$I_{pp\_8\_20}$	IEC 61000-4-5 Current ( $t_p - 8/20 \mu\text{s}$ )	TSM36A		41	A
$T_A$	Operating free-air temperature		-55	150	$^\circ\text{C}$
$T_J$	Junction temperature		-55	150	$^\circ\text{C}$
$T_{stg}$	Storage temperature		-65	155	$^\circ\text{C}$

- (1) Operation outside the Absolute Maximum Ratings may cause permanent device damage. Absolute Maximum Ratings do not imply functional operation of the device at these or any other conditions beyond those listed under Recommended Operating Conditions. If used outside the Recommended Operating Conditions but within the Absolute Maximum Ratings, the device may not be fully functional, and this may affect device reliability, functionality, performance, and shorten the device lifetime.

### 6.2 ESD Ratings—JEDEC Specification

Parameter			VALUE	UNIT
$V_{(ESD)}$	Electrostatic discharge	Human body model (HBM), per ANSI/ESDA/ JEDEC JS-001	$\pm 2500$	V
		Charged device model (CDM), per JEDEC specification JS-002	$\pm 1000$	

### 6.3 ESD Ratings—IEC Specification

$T_A = 25^\circ\text{C}$  (unless otherwise noted)

Parameter			VALUE	UNIT
$V_{(ESD)}$	Electrostatic discharge	IEC 61000-4-2 Contact Discharge, all pins	$\pm 30000$	V
		IEC 61000-4-2 Air-gap Discharge, all pins	$\pm 30000$	

### 6.4 Recommended Operating Conditions

over operating free-air temperature range (unless otherwise noted)

Parameter		MIN	NOM	MAX	UNIT
$V_{IN}$	Input voltage	0		36	V
$T_A$	Operating free-air temperature	-55		150	$^\circ\text{C}$

### 6.5 Thermal Information

THERMAL METRIC <sup>(1)</sup>		TSM36A	UNIT
		DBZ (SOT-23)	
		3 PINS	
$R_{\theta JA}$	Junction-to-ambient thermal resistance	204.4	$^\circ\text{C}/\text{W}$
$R_{\theta JC(top)}$	Junction-to-case (top) thermal resistance	96.9	$^\circ\text{C}/\text{W}$
$R_{\theta JB}$	Junction-to-board thermal resistance	39.9	$^\circ\text{C}/\text{W}$
$\Psi_{JT}$	Junction-to-top characterization parameter	7.1	$^\circ\text{C}/\text{W}$
$\Psi_{JB}$	Junction-to-board characterization parameter	39.5	$^\circ\text{C}/\text{W}$
$R_{\theta JC(bot)}$	Junction-to-case (bottom) thermal resistance	N/A	$^\circ\text{C}/\text{W}$

- (1) For more information about traditional and new thermal metrics, see the [Semiconductor and IC Package Thermal Metrics](#) application report.

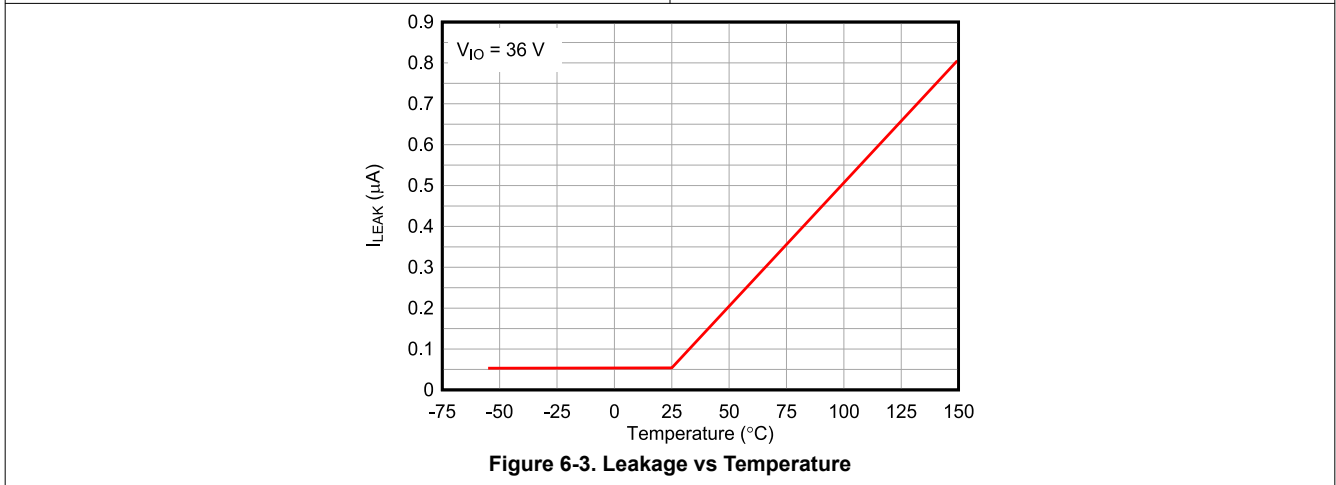
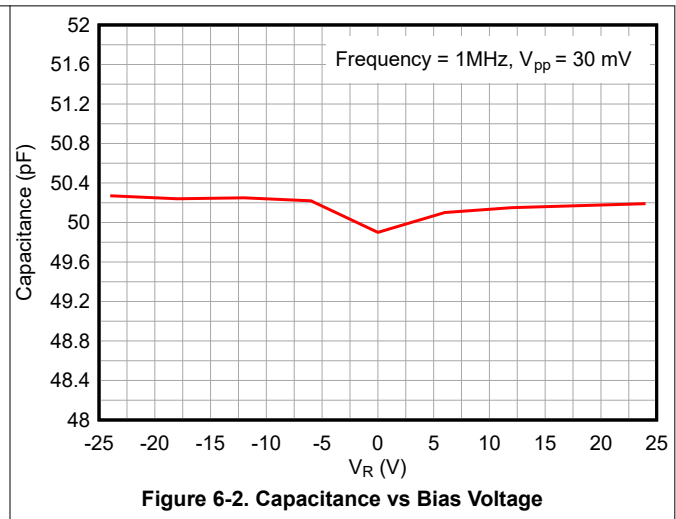
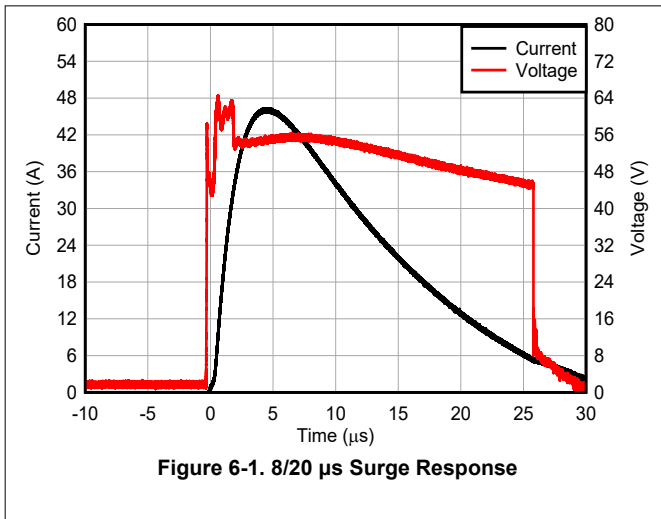
## 6.6 Electrical Characteristics

$T_A = 25^\circ\text{C}$  (unless otherwise noted)

PARAMETER		TEST CONDITIONS	Device	MIN	TYP	MAX	UNIT
$V_{RWM}$	Reverse stand-off voltage		TSM36A	0		36	V
$V_{BRF}$	Forward breakdown voltage <sup>(1)</sup>	$I_{IO} = -10\text{ mA}$	TSM36A		0.8		V
$V_{BRR}$	Reverse breakdown voltage <sup>(1)</sup>	$I_{IO} = 10\text{ mA}$	TSM36A	37.8		44.2	V
$V_{CLAMP}$	Clamping voltage <sup>(2)</sup>	$I_{PP} = 25\text{ A}$ , $t_p = 8/20\ \mu\text{s}$ , from IO to GND	TSM36A		50		V
		$I_{PP} = 40\text{ A}$ , $t_p = 8/20\ \mu\text{s}$ , from IO to GND	TSM36A		57		
$I_{LEAK}$	Leakage current	$V_{IO} = +36\text{ V}$	TSM36A			1	$\mu\text{A}$
$R_{DYN}$	Dynamic resistance	$t_p = 8/20\ \mu\text{s}$ , from IO to GND	TSM36A		0.5		$\Omega$
$C_{IO-GND}$	Line capacitance	$V_{IO} = 0\text{ V}$ , $f = 1\text{ MHz}$ , $V_{p-p} = 30\text{ mV}$	TSM36A		50	80	pF

- (1)  $V_{BRF}$  and  $V_{BRR}$  are defined as the voltage when  $\pm 10\text{ mA}$  is applied in the positive-going direction.  
 (2) Device stressed with 8/20  $\mu\text{s}$  exponential decay waveform according to IEC 61000-4-5.

## 6.7 Typical Characteristics

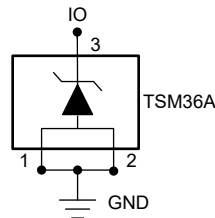


## 7 Detailed Description

### 7.1 Overview

The TSM36A is a surge protection diode that clamps the voltage during a fault and protects downstream components from overvoltage events.

### 7.2 Functional Block Diagram



### 7.3 Feature Description

The TSM36A is a surge protection diode that handles 41 A of IEC 61000-4-5 8/20  $\mu$ s surge current. The low clamping voltage protects downstream circuits from being stressed during a surge event. The TSM36A has minimal leakage current at the standoff voltage of 36 V, making it a good candidate for applications where low leakage is needed to reduce power dissipation. A 30-kV IEC 61000-4-2 rating makes it a robust protection solution for ESD events as well. The TSM36A has a wide ambient temperature range of  $-55^{\circ}\text{C}$  to  $+150^{\circ}\text{C}$  which enables it to work in applications requiring an extended temperature range. The small SOT-23 (DBZ) package enables it to save board area compared to other surge protection devices in a traditional SMA package. The leaded SOT-23 (DBZ) package enables automatic optical inspection during the assembly process.

### 7.4 Device Functional Modes

#### 7.4.1 Protection Specifications

The TSM36A is specified according to both the IEC 61000-4-5 standard. The IEC 61000-4-5 standard requires protection against a pulse with a rise time of 8  $\mu$ s and a half length of 20  $\mu$ s.

Additionally, the TSM36A is tested according to IEC 61000-4-5 to pass a  $\pm 1.7$  kV surge test through a 42- $\Omega$  coupling resistor and a 0.5  $\mu$ F capacitor, which is a common test requirement for industrial signal I/O lines. The TSM36A will serve as a protection solution for applications with that requirement.

The TSM36A integrates 30-kV IEC 61000-4-2 rated ESD protection, which ensures that the device can protect against both surge and ESD transient events.

For more information on TI's test method for surge and ESD testing, reference [TI's IEC 61000-4-x Testing application note](#).

## 8 Application and Implementation

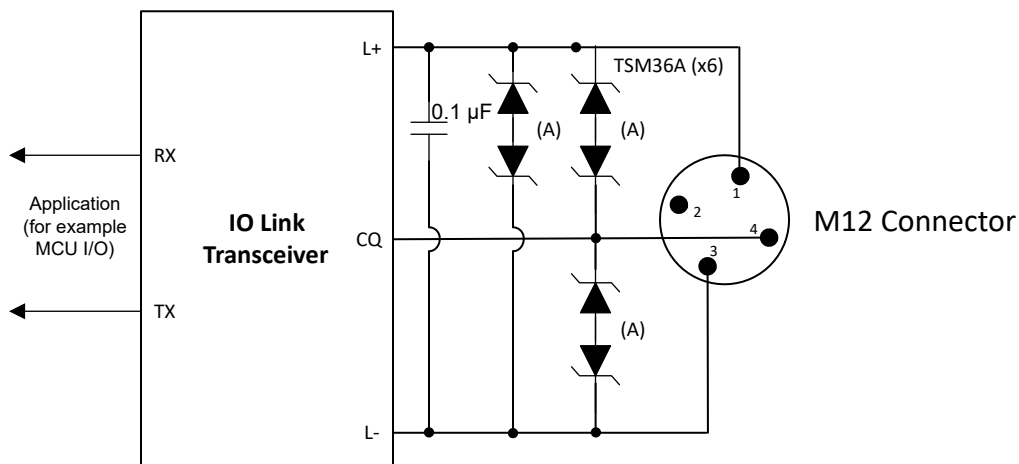
### Note

Information in the following applications sections is not part of the TI component specification, and TI does not warrant its accuracy or completeness. TI's customers are responsible for determining suitability of components for their purposes, as well as validating and testing their design implementation to confirm system functionality.

### 8.1 Application Information

The TSM36A can be used to protect any power, analog, or digital signal from transient fault conditions caused by the environment or other electrical components.

### 8.2 Typical Application



- A. Diagram shows two TSM36A unidirectional devices stacked in series with the anodes tied back-to-back to protect between the respective signals.

**Figure 8-1. TSM36A Application Schematic**

#### 8.2.1 Design Requirements

In the previous example, the TSM36A is protecting an IO Link transceiver that has a nominal voltage of 24 V and a maximum input voltage of 30 V. Most industrial interfaces such as this require protection against  $\pm 1$  kV surge test through a 42- $\Omega$  coupling resistor and a 0.5  $\mu$ F capacitor, equaling approximately 24 A of surge current. If a surge event caused by lightning, coupling, ringing, or any other fault condition occurs without any input protection, then this input voltage will rise to hundreds of volts in microseconds, which violates the absolute maximum input voltage and will harm the device. An ideal surge protection diode will maximize the useable voltage range while still clamping at a safe level for the system.

## 8.2.2 Detailed Design Procedure

If the TSM36A is protecting the device, then during a surge event the voltage will rise to the breakdown of the diode at 37.8 V (minimum), the TSM36A will turn on and shunt the surge current to ground. With the low dynamic resistance of the TSM36A, large amounts of surge current will have some impact on the clamping voltage. The dynamic resistance of the TSM36A is around 0.5  $\Omega$ , which means 24 A of surge current will cause a voltage rise of  $24 \text{ A} \times 0.5 \Omega = 12 \text{ V}$ . Because the device turns on at 37.8 V (minimum), the IO Link transceiver input will be exposed to  $37.8 \text{ V} + 12 \text{ V} = 49.8 \text{ V}$  during surge pulses, which is well within the absolute maximum voltage of the IO Link transceiver input pins (L+, L-, and CQ) and will protect the circuit. The small size of the device also improves fault protection by lowering the effect of fault current coupling onto neighboring traces. The small form factor of the SOT-23 package allows the device to be placed extremely close to the input connector, lowering the length of the fault current path through the system compared to larger protection solutions. Finally, the low leakage of the TSM36A will have low input power losses. The device will receive a maximum of 1  $\mu\text{A}$  leakage at 36 V for a constant power dissipation of 36  $\mu\text{W}$ ; a small quantity that will minimally effect overall efficiency metrics and heating concerns.

## 8.2.3 Configuration Options

The TSM36A can either be used in an unidirectional or bidirectional configuration. For bidirectional operation, place two TSM36A devices in series with reverse orientation, which allows a working voltage of  $\pm 36 \text{ V}$ . TSM36A bidirectional operation is similar to its unidirectional operation, but with a minor increase in breakdown voltage and clamping voltage.

## 9 Power Supply Recommendations

This is a passive TVS diode-based surge protection device; therefore, there is no requirement to power it. Ensure that the maximum voltage specifications for each pin are not violated.

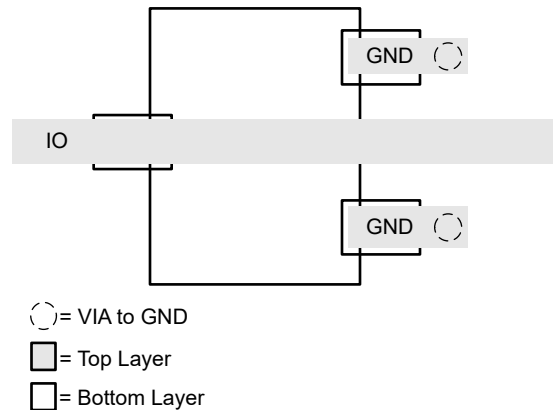
## 10 Layout

### 10.1 Layout Guidelines

- For optimal performance, place the device as close to the connector as possible.
  - EMI during an ESD event can couple from the trace being struck to other nearby unprotected traces, resulting in early system failures.
  - The PCB designer must minimize the possibility of EMI coupling by keeping any unprotected traces away from the protected traces which are between the TVS and the connector.
- Route the protected traces as straight as possible.
- Eliminate any sharp corners on the protected traces between the TVS and the connector by using rounded corners with the largest radii possible.
  - Electric fields tend to build up on corners, increasing EMI coupling.
- Pin 1 and 2 are not internally connected. To achieve the rated performance, it is required to connect Pin 1 and 2 together on the PCB as close to the device as possible and route the signal to ground. Also use a thick and short trace for this return path.

### 10.2 Layout Example

The following is a typical example of the layout routing for the TSM36A unidirectional device.



**Figure 10-1. Routing with DBZ Package**

## 11 Device and Documentation Support

### 11.1 Documentation Support

#### 11.1.1 Related Documentation

For related documentation, see the following:

- Texas Instruments, [TI's IEC 61000-4-x Testing application note](#)
- Texas Instruments, [ESD Layout Guide user's guide](#)
- Texas Instruments, [ESD Protection Diodes EVM user's guide](#)
- Texas Instruments, [Generic ESD Evaluation Module user's guide](#)
- Texas Instruments, [Reading and Understanding an ESD Protection data sheet](#)

#### 11.2 Receiving Notification of Documentation Updates

To receive notification of documentation updates, navigate to the device product folder on [ti.com](#). Click on *Subscribe to updates* to register and receive a weekly digest of any product information that has changed. For change details, review the revision history included in any revised document.

#### 11.3 Support Resources

[TI E2E™ support forums](#) are an engineer's go-to source for fast, verified answers and design help — straight from the experts. Search existing answers or ask your own question to get the quick design help you need.

Linked content is provided "AS IS" by the respective contributors. They do not constitute TI specifications and do not necessarily reflect TI's views; see TI's [Terms of Use](#).

#### 11.4 Trademarks

TI E2E™ is a trademark of Texas Instruments.  
All trademarks are the property of their respective owners.

#### 11.5 Electrostatic Discharge Caution



This integrated circuit can be damaged by ESD. Texas Instruments recommends that all integrated circuits be handled with appropriate precautions. Failure to observe proper handling and installation procedures can cause damage.

ESD damage can range from subtle performance degradation to complete device failure. Precision integrated circuits may be more susceptible to damage because very small parametric changes could cause the device not to meet its published specifications.

#### 11.6 Glossary

[TI Glossary](#) This glossary lists and explains terms, acronyms, and definitions.

## 12 Mechanical, Packaging, and Orderable Information

The following pages include mechanical, packaging, and orderable information. This information is the most current data available for the designated devices. This data is subject to change without notice and revision of this document. For browser-based versions of this data sheet, refer to the left-hand navigation.

**PACKAGING INFORMATION**

Orderable Device	Status (1)	Package Type	Package Drawing	Pins	Package Qty	Eco Plan (2)	Lead finish/ Ball material (6)	MSL Peak Temp (3)	Op Temp (°C)	Device Marking (4/5)	Samples
TSM36ADBZR	ACTIVE	SOT-23	DBZ	3	3000	RoHS & Green	NIPDAU	Level-1-260C-UNLIM	-55 to 150	2O98	Samples

(1) The marketing status values are defined as follows:

**ACTIVE:** Product device recommended for new designs.

**LIFEBUY:** TI has announced that the device will be discontinued, and a lifetime-buy period is in effect.

**NRND:** Not recommended for new designs. Device is in production to support existing customers, but TI does not recommend using this part in a new design.

**PREVIEW:** Device has been announced but is not in production. Samples may or may not be available.

**OBSELETE:** TI has discontinued the production of the device.

(2) **RoHS:** TI defines "RoHS" to mean semiconductor products that are compliant with the current EU RoHS requirements for all 10 RoHS substances, including the requirement that RoHS substance do not exceed 0.1% by weight in homogeneous materials. Where designed to be soldered at high temperatures, "RoHS" products are suitable for use in specified lead-free processes. TI may reference these types of products as "Pb-Free".

**RoHS Exempt:** TI defines "RoHS Exempt" to mean products that contain lead but are compliant with EU RoHS pursuant to a specific EU RoHS exemption.

**Green:** TI defines "Green" to mean the content of Chlorine (Cl) and Bromine (Br) based flame retardants meet JS709B low halogen requirements of <=1000ppm threshold. Antimony trioxide based flame retardants must also meet the <=1000ppm threshold requirement.

(3) MSL, Peak Temp. - The Moisture Sensitivity Level rating according to the JEDEC industry standard classifications, and peak solder temperature.

(4) There may be additional marking, which relates to the logo, the lot trace code information, or the environmental category on the device.

(5) Multiple Device Markings will be inside parentheses. Only one Device Marking contained in parentheses and separated by a "-" will appear on a device. If a line is indented then it is a continuation of the previous line and the two combined represent the entire Device Marking for that device.

(6) Lead finish/Ball material - Orderable Devices may have multiple material finish options. Finish options are separated by a vertical ruled line. Lead finish/Ball material values may wrap to two lines if the finish value exceeds the maximum column width.

**Important Information and Disclaimer:**The information provided on this page represents TI's knowledge and belief as of the date that it is provided. TI bases its knowledge and belief on information provided by third parties, and makes no representation or warranty as to the accuracy of such information. Efforts are underway to better integrate information from third parties. TI has taken and continues to take reasonable steps to provide representative and accurate information but may not have conducted destructive testing or chemical analysis on incoming materials and chemicals. TI and TI suppliers consider certain information to be proprietary, and thus CAS numbers and other limited information may not be available for release.

In no event shall TI's liability arising out of such information exceed the total purchase price of the TI part(s) at issue in this document sold by TI to Customer on an annual basis.

**TAPE AND REEL INFORMATION**

**QUADRANT ASSIGNMENTS FOR PIN 1 ORIENTATION IN TAPE**


\*All dimensions are nominal

Device	Package Type	Package Drawing	Pins	SPQ	Reel Diameter (mm)	Reel Width W1 (mm)	A0 (mm)	B0 (mm)	K0 (mm)	P1 (mm)	W (mm)	Pin1 Quadrant
TSM36ADBZR	SOT-23	DBZ	3	3000	180.0	8.4	2.9	3.35	1.35	4.0	8.0	Q3

**TAPE AND REEL BOX DIMENSIONS**


\*All dimensions are nominal

Device	Package Type	Package Drawing	Pins	SPQ	Length (mm)	Width (mm)	Height (mm)
TSM36ADBZR	SOT-23	DBZ	3	3000	210.0	185.0	35.0

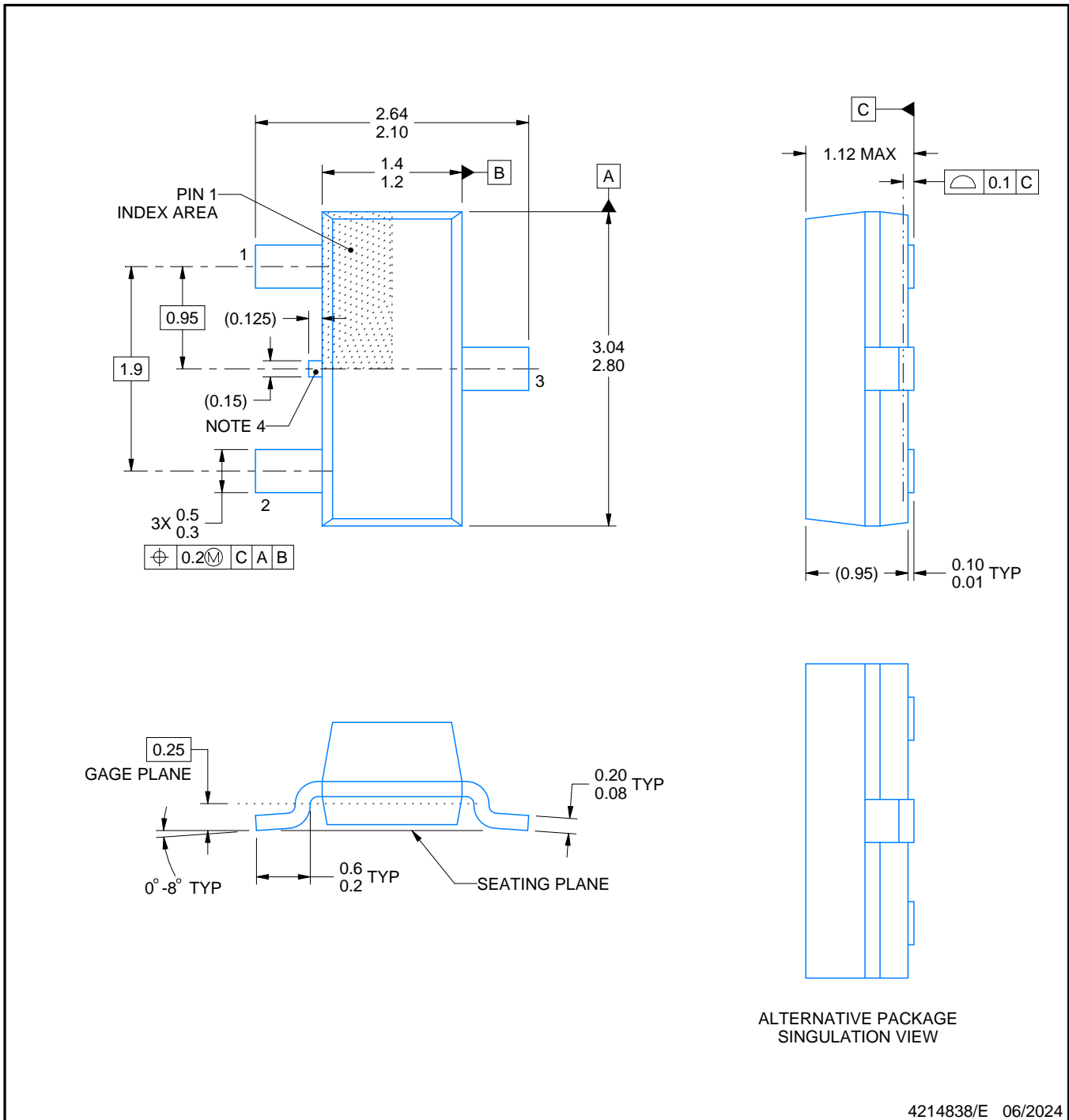
# DBZ0003A



# PACKAGE OUTLINE

SOT-23 - 1.12 mm max height

SMALL OUTLINE TRANSISTOR



4214838/E 06/2024

NOTES:

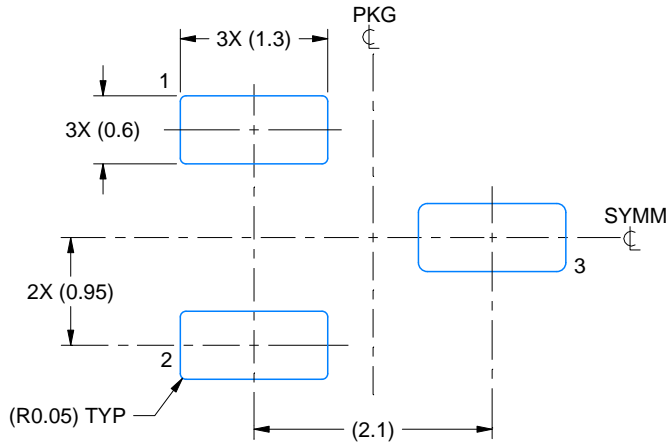
- All linear dimensions are in millimeters. Any dimensions in parenthesis are for reference only. Dimensioning and tolerancing per ASME Y14.5M.
- This drawing is subject to change without notice.
- Reference JEDEC registration TO-236, except minimum foot length.
- Support pin may differ or may not be present.
- Body dimensions do not include mold flash, protrusions, or gate burrs. Mold flash, protrusions, or gate burrs shall not exceed 0.25mm per side

# EXAMPLE BOARD LAYOUT

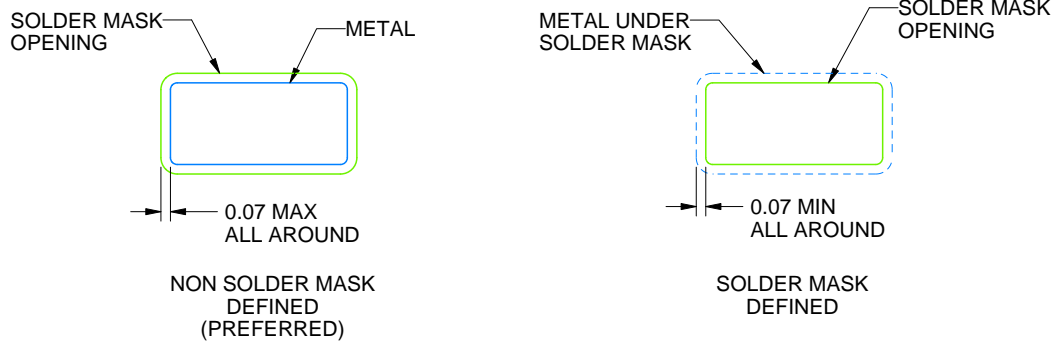
DBZ0003A

SOT-23 - 1.12 mm max height

SMALL OUTLINE TRANSISTOR



LAND PATTERN EXAMPLE  
SCALE:15X



SOLDER MASK DETAILS

4214838/E 06/2024

NOTES: (continued)

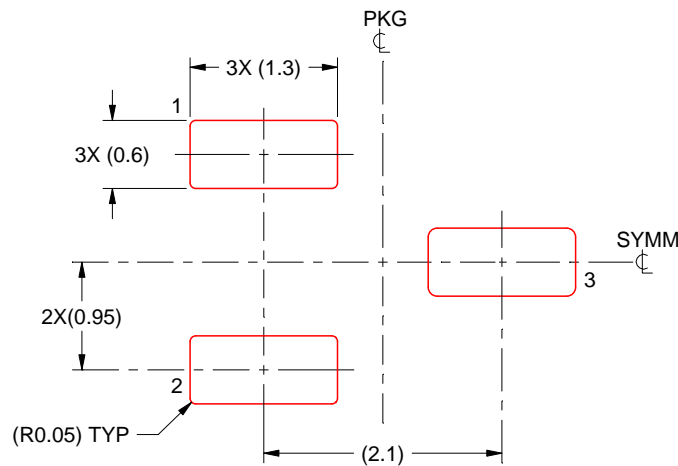
- 5. Publication IPC-7351 may have alternate designs.
- 6. Solder mask tolerances between and around signal pads can vary based on board fabrication site.

# EXAMPLE STENCIL DESIGN

DBZ0003A

SOT-23 - 1.12 mm max height

SMALL OUTLINE TRANSISTOR



SOLDER PASTE EXAMPLE  
BASED ON 0.125 THICK STENCIL  
SCALE:15X

4214838/E 06/2024

NOTES: (continued)

7. Laser cutting apertures with trapezoidal walls and rounded corners may offer better paste release. IPC-7525 may have alternate design recommendations.
8. Board assembly site may have different recommendations for stencil design.

## IMPORTANT NOTICE AND DISCLAIMER

TI PROVIDES TECHNICAL AND RELIABILITY DATA (INCLUDING DATA SHEETS), DESIGN RESOURCES (INCLUDING REFERENCE DESIGNS), APPLICATION OR OTHER DESIGN ADVICE, WEB TOOLS, SAFETY INFORMATION, AND OTHER RESOURCES "AS IS" AND WITH ALL FAULTS, AND DISCLAIMS ALL WARRANTIES, EXPRESS AND IMPLIED, INCLUDING WITHOUT LIMITATION ANY IMPLIED WARRANTIES OF MERCHANTABILITY, FITNESS FOR A PARTICULAR PURPOSE OR NON-INFRINGEMENT OF THIRD PARTY INTELLECTUAL PROPERTY RIGHTS.

These resources are intended for skilled developers designing with TI products. You are solely responsible for (1) selecting the appropriate TI products for your application, (2) designing, validating and testing your application, and (3) ensuring your application meets applicable standards, and any other safety, security, regulatory or other requirements.

These resources are subject to change without notice. TI grants you permission to use these resources only for development of an application that uses the TI products described in the resource. Other reproduction and display of these resources is prohibited. No license is granted to any other TI intellectual property right or to any third party intellectual property right. TI disclaims responsibility for, and you will fully indemnify TI and its representatives against, any claims, damages, costs, losses, and liabilities arising out of your use of these resources.

TI's products are provided subject to [TI's Terms of Sale](#) or other applicable terms available either on [ti.com](https://www.ti.com) or provided in conjunction with such TI products. TI's provision of these resources does not expand or otherwise alter TI's applicable warranties or warranty disclaimers for TI products.

TI objects to and rejects any additional or different terms you may have proposed.

Mailing Address: Texas Instruments, Post Office Box 655303, Dallas, Texas 75265  
Copyright © 2024, Texas Instruments Incorporated

## Looking for pricing, stock, or lifecycle information?

Click below to explore more details on WIN SOURCE:

 [View TSM36ADBZR on WIN SOURCE](#)

 [Texas Instruments](#) Information

## Optimize Your Supply Chain with WIN SOURCE Solutions

-  Global Sourcing Solution
-  Obsolete Management
-  Cost Control Management
-  Shortage Management
-  Alternative Solution
-  Excess Inventory Management