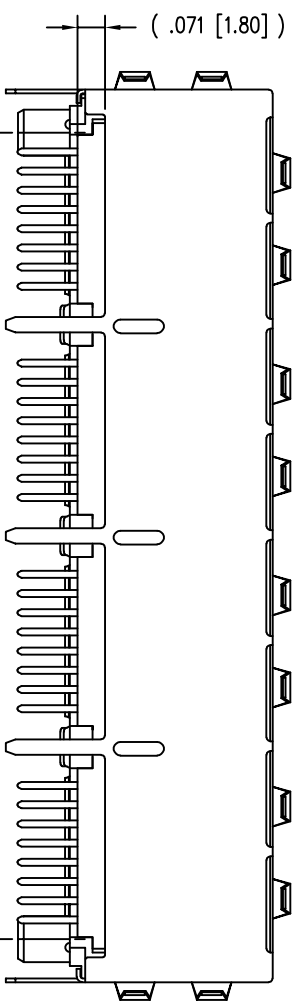
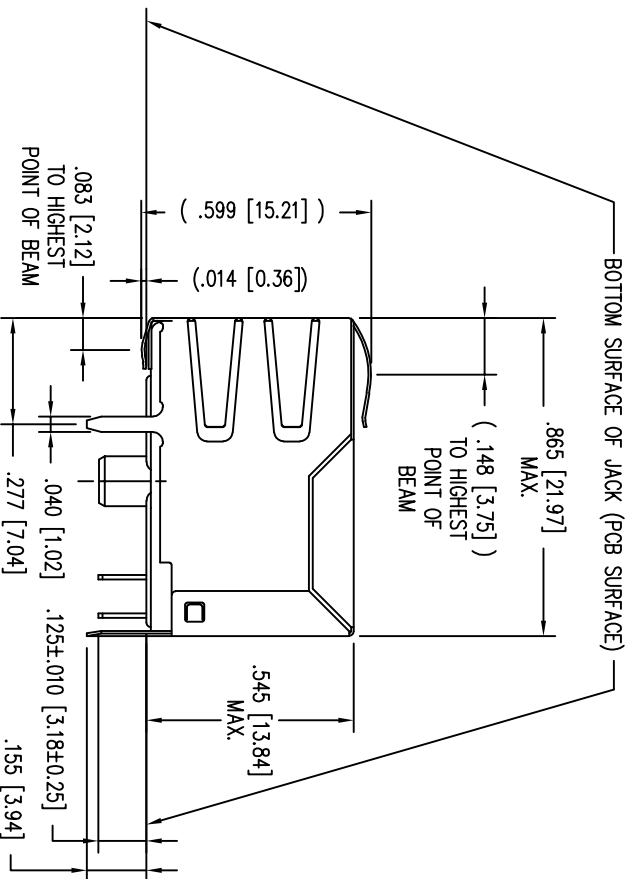




**THE DATASHEET OF  
SS-668804S-A-PG4-AC**

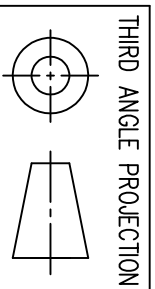


DATE	REV	EON	APP'D. BY
3-11-16	A5	10600	TRM
4-11-18	A6	11224	TRM

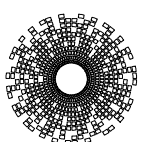


- NOTES:
- CONNECTOR MATERIALS:  
HOUSING: THERMOPLASTIC UL94 V-0  
CONTACT/SHIELD: COPPER ALLOY  
SHIELD PLATING: NICKEL  
CONTACT PLATING: SELECTIVE GOLD IN CONTACT AREA  
SEE CHART FOR PART NUMBER
  - FOR PRODUCT SPECIFICATION SEE PRO22-01
  - DIMENSIONS AND TOLERANCES COMPLY WITH TIA-1096 STANDARD.
  - THE SUGGESTED PANEL OPENING IS INTENDED TO GIVE USER THE ABILITY TO HAVE REASONABLE JACK/PANEL CLEARANCES, YET MAINTAIN GROUNDING CAPABILITY. THESE VARIABLES CAN BE ADJUSTED IN EITHER DIRECTION BUT MAY CARRY SOME CONSEQUENCES IN THE FORM OF LOWER MATING FORCES OR TIGHTER ASSEMBLY TOLERANCES.

30 MICRO-INCHES [0.76um]	SS-668804S-A-PG4-AC
CONTACT PLATING IN MATING AREA	PART NUMBER



THIRD ANGLE PROJECTION



**Stewart**  
CONNECTOR  
a bel group

11118 Susquehanna Trail South  
Glen Rock, PA 17327-9199  
(717) 235-7512  
<http://www.stewartconnector.com>

DO NOT SCALE DRAWING  
DRAWING IS SUBJECT TO  
CHANGE WITHOUT NOTICE

DIMENSIONS: INCHES [METRIC]  
UNLESS OTHERWISE SPECIFIED  
TOLERANCES ARE ±.005 [0.13]  
ANGLES ARE ± 1°

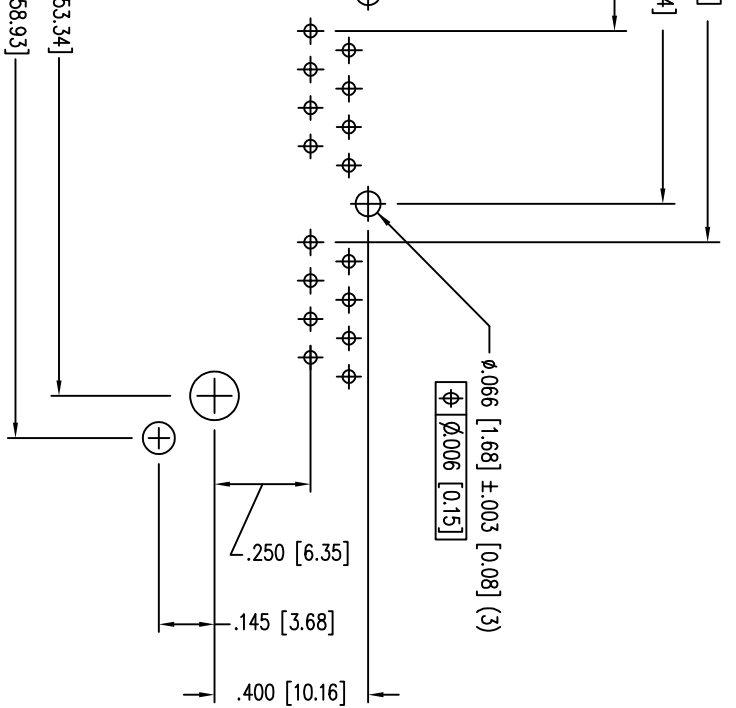
SHEET NO. 1 OF 2

TITLE:  
4 PORT HARMONICA JACK, EMI-RFI ENHANCED SHIELD  
ESD GROUNDED, WITH PANEL GROUNDS

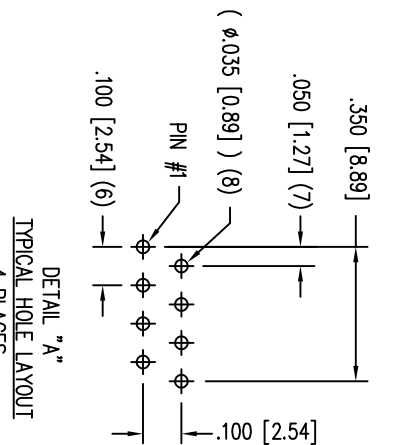
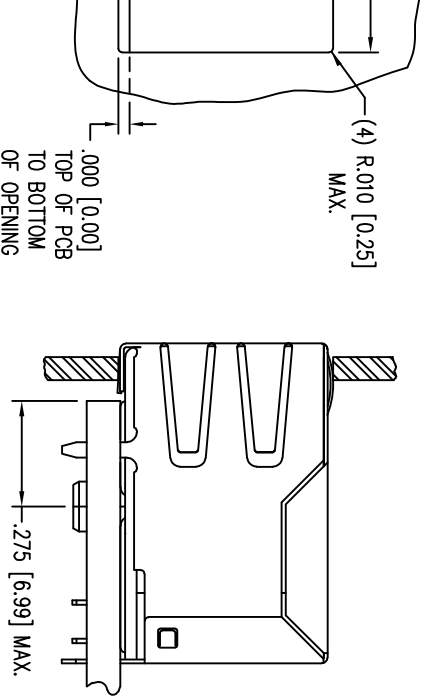
THIS DRAWING AND THE SUBJECT MATTER SHOWN THEREON  
ARE CONFIDENTIAL AND THE PROPRIETARY PROPERTY OF  
STEWART CONNECTOR AND SHALL NOT BE REPRODUCED,  
COPIED, OR USED IN ANY MANNER WITHOUT PRIOR WRITTEN  
CONSENT OF STEWART CONNECTOR. ONE OR MORE U.S. PATENTS  
MAY APPLY TO THIS PRODUCT. FOR DETAILS, PLEASE  
VISIT: [HTTP://BELFUSE.COM/STEWART/STEWART\\_PATENTS/](http://BELFUSE.COM/STEWART/STEWART_PATENTS/)

DRN BY:	DAB	DATE	8-21-03
APP'D BY:	RGC	DATE	8-21-03
DWG NO.	CT660101	REV.	A6





ED HOLE LAYOUT  
 APONENT SIDE  
 DIMENSIONS ARE BASIC



DETAIL "A"  
 TYPICAL HOLE LAYOUT  
 4 PLACES

THIRD ANGLE PROJECTION  
  
 DO NOT SCALE DRAWING  
 DRAWING IS SUBJECT TO CHANGE WITHOUT NOTICE  
 DIMENSIONS: INCHES [METRIC]  
 UNLESS OTHERWISE SPECIFIED TOLERANCES ARE ±.005 [0.13] ANGLES ARE ± 1°

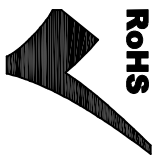


11118 Susquehanna Trail South  
 Glen Rock, PA 17327-9199  
 (717) 235-7512  
<http://www.stewartconnector.com>

TITLE: 4 PORT HARMONICA JACK, EMI-RFI ENHANCED SHIELD  
 ESD GROUNDED, WITH PANEL GROUNDS

SHEET NO. 2 OF 2

DRN BY: DAB	DATE: 8-21-03
APPD BY: RGC	DATE: 8-21-03
DWG NO. CT660101	REV. A6



## Looking for pricing, stock, or lifecycle information?

Click below to explore more details on WIN SOURCE:

[View SS-668804S-A-PG4-AC on WIN SOURCE](#)

[Stewart Connector Information](#)

## Optimize Your Supply Chain with WIN SOURCE Solutions

- ✓ Global Sourcing Solution
- ✓ Obsolete Management
- ✓ Cost Control Management
- ✓ Shortage Management
- ✓ Alternative Solution
- ✓ Excess Inventory Management