



**THE DATASHEET OF
ISL32433EIUZ-T7A**



ISL32430E, ISL32432E, ISL32433E, ISL32435E, ISL32437E

±40V Fault Protected, 3.3V to 5V, ±15V Common-Mode Range, RS-485/RS-422 Transceivers With Cable Invert and ±15kV ESD

FN7920
Rev.1.00
Feb 15, 2019

The [ISL32430E](#), [ISL32432E](#), [ISL32433E](#), [ISL32435E](#), and [ISL32437E](#) are 3.3V to 5V powered, fault protected, extended common-mode range differential transceivers for balanced communication. The RS-485 bus pins, driver outputs and receiver inputs, are protected against overvoltages up to ±40V and against ±15kV ESD strikes. Additionally, these transceivers operate in environments with common-mode voltages up to ±15V (exceeds the RS-485 requirement), making this RS-485 family one of the most robust on the market.

The transmitters are RS-485 compliant with $V_{CC} \geq 4.5V$ and deliver a 1.1V differential output voltage into the RS-485 specified 54Ω load even with $V_{CC} = 3V$.

The receiver (Rx) inputs feature a full fail-safe design that ensures a logic high Rx output if the Rx inputs are floating, shorted, or on a terminated but undriven (idle) bus. The Rx full fail-safe operation is maintained even when the Rx input polarity is switched (cable invert function on ISL32437E).

The ISL32437E includes a cable invert function that reverses the polarity of the Rx and Tx bus pins if the cable is misconnected during installation.

See [Table 1 on page 4](#) for key features and configurations by device number.

Related Literature

For a full list of related documents, visit our website:

- [ISL32430E](#), [ISL32432E](#), [ISL32433E](#), [ISL32435E](#), and [ISL32437E](#) device pages

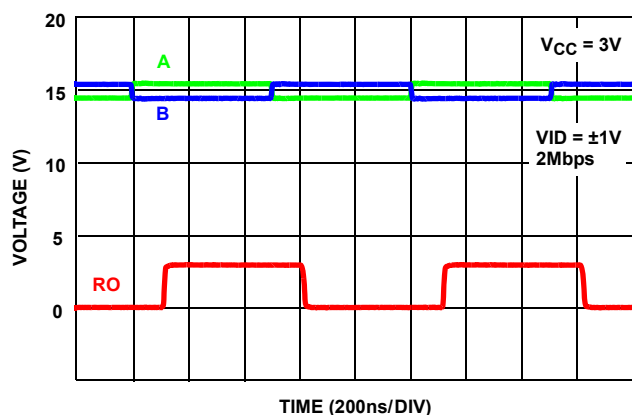


FIGURE 1. EXCEPTIONAL ISL32433E RX OPERATES AT >1Mbps EVEN WITH ±15V COMMON-MODE VOLTAGE

Features

- Fault protected RS-485 bus pins up to ±40V
- Extended common-mode range. ±15V larger than required for RS-485
- ±15kV HBM ESD protection on RS-485 bus pins
- Wide supply range 3V to 5.5V
- Cable invert pin corrects for reversed cable connections while maintaining Rx full fail-safe functionality (ISL32437E only)
- 1/4 Unit load for up to 128 devices on the bus
- High transient overvoltage tolerance. ±60V
- Full fail-safe (open, short, terminated) RS-485 receivers
- Choice of RS-485 data rates 250kbps or 1Mbps
- Low quiescent supply current. 2.1mA
- Ultra low shutdown supply current. 10μA
- Pb-free (RoHS compliant)

Applications

- Utility meters/automated meter reading systems
- Air conditioning systems
- Security camera networks
- Building lighting and environmental control systems
- Industrial/process control networks

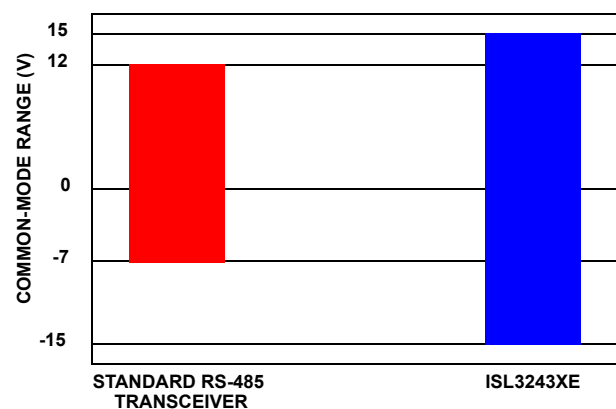


FIGURE 2. TRANSCEIVERS DELIVER SUPERIOR COMMON-MODE RANGE vs STANDARD RS-485 DEVICES

Typical Operating Circuits

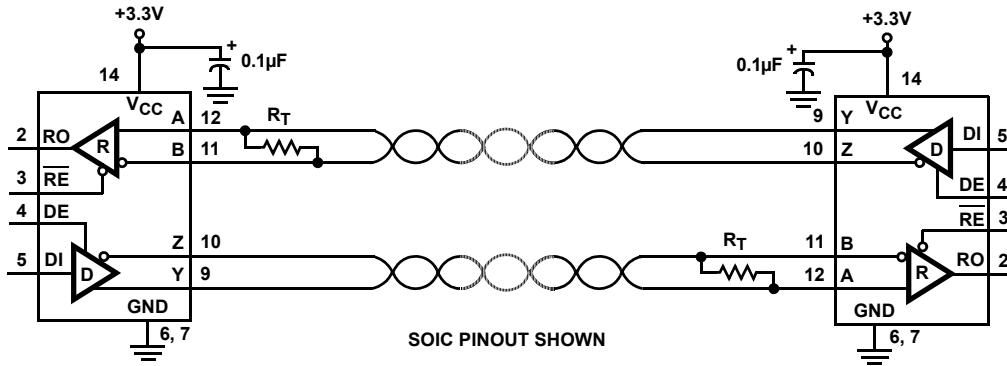


FIGURE 3. ISL32430E, ISL32433E FULL DUPLEX NETWORK

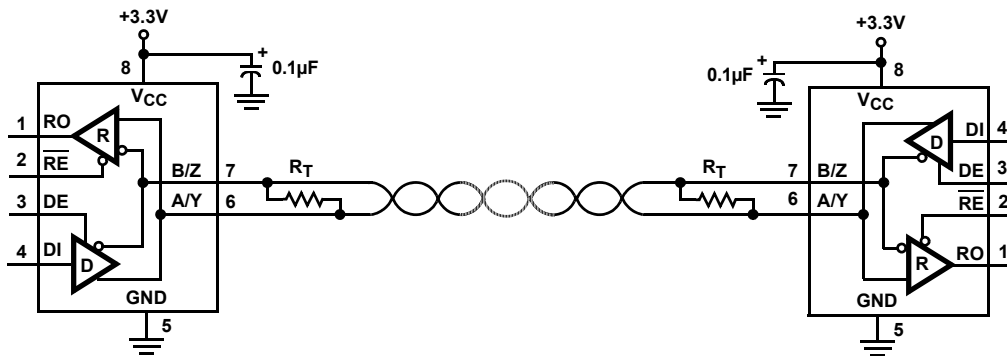


FIGURE 4. ISL32432E, ISL32435E HALF DUPLEX NETWORK

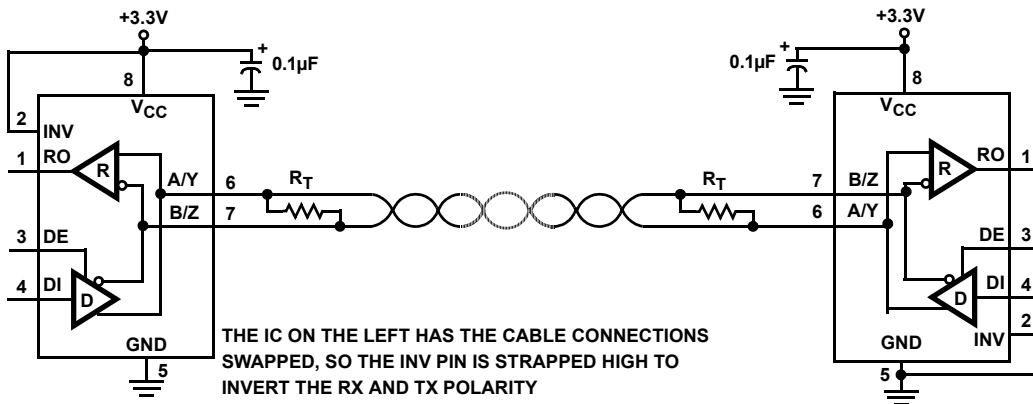


FIGURE 5. ISL32437E HALF DUPLEX NETWORK USING CABLE INVERT FUNCTION

Ordering Information

| PART NUMBER (Notes 2, 3) | PART MARKING | TEMP. RANGE (°C) | TAPE AND REEL (Units) (Note 1) | PACKAGE (RoHS Compliant) | PKG. DWG. # |
|-----------------------------|-----------------|---------------------|-----------------------------------|-----------------------------|----------------|
| ISL32430EIBZ | ISL32430 EIBZ | -40 to +85 | - | 14 Ld SOIC | M14.15 |
| ISL32430EIBZ-T | ISL32430 EIBZ | -40 to +85 | 2.5k | 14 Ld SOIC | M14.15 |
| ISL32430EIBZ-T7A | ISL32430 EIBZ | -40 to +85 | 250 | 14 Ld SOIC | M14.15 |
| ISL32430EIUZ | 2430E | -40 to +85 | - | 10 Ld MSOP | M10.118 |
| ISL32430EIUZ-T | 2430E | -40 to +85 | 2.5k | 10 Ld MSOP | M10.118 |
| ISL32430EIUZ-T7A | 2430E | -40 to +85 | 250 | 10 Ld MSOP | M10.118 |
| ISL32432EIBZ | 32432 EIBZ | -40 to +85 | - | 8 Ld SOIC | M8.15 |
| ISL32432EIBZ-T | 32432 EIBZ | -40 to +85 | 2.5k | 8 Ld SOIC | M8.15 |
| ISL32432EIBZ-T7A | 32432 EIBZ | -40 to +85 | 250 | 8 Ld SOIC | M8.15 |
| ISL32432EIUZ | 2432E | -40 to +85 | - | 8 Ld MSOP | M8.118 |
| ISL32432EIUZ-T | 2432E | -40 to +85 | 2.5k | 8 Ld MSOP | M8.118 |
| ISL32432EIUZ-T7A | 2432E | -40 to +85 | 250 | 8 Ld MSOP | M8.118 |
| ISL32433EIBZ | ISL32433 EIBZ | -40 to +85 | - | 14 Ld SOIC | M14.15 |
| ISL32433EIBZ-T | ISL32433 EIBZ | -40 to +85 | 2.5k | 14 Ld SOIC | M14.15 |
| ISL32433EIBZ-T7A | ISL32433 EIBZ | -40 to +85 | 250 | 14 Ld SOIC | M14.15 |
| ISL32433EIUZ | 2433E | -40 to +85 | - | 10 Ld MSOP | M10.118 |
| ISL32433EIUZ-T | 2433E | -40 to +85 | 2.5k | 10 Ld MSOP | M10.118 |
| ISL32433EIUZ-T7A | 2433E | -40 to +85 | 250 | 10 Ld MSOP | M10.118 |
| ISL32435EIBZ | 32435 EIBZ | -40 to +85 | - | 8 Ld SOIC | M8.15 |
| ISL32435EIBZ-T | 32435 EIBZ | -40 to +85 | 2.5k | 8 Ld SOIC | M8.15 |
| ISL32435EIBZ-T7A | 32435 EIBZ | -40 to +85 | 250 | 8 Ld SOIC | M8.15 |
| ISL32435EIUZ | 2435E | -40 to +85 | - | 8 Ld MSOP | M8.118 |
| ISL32435EIUZ-T | 2435E | -40 to +85 | 2.5k | 8 Ld MSOP | M8.118 |
| ISL32435EIUZ-T7A | 2435E | -40 to +85 | 250 | 8 Ld MSOP | M8.118 |
| ISL32437EIBZ | 32437 EIBZ | -40 to +85 | - | 8 Ld SOIC | M8.15 |
| ISL32437EIBZ-T | 32437 EIBZ | -40 to +85 | 2.5k | 8 Ld SOIC | M8.15 |
| ISL32437EIBZ-T7A | 32437 EIBZ | -40 to +85 | 250 | 8 Ld SOIC | M8.15 |
| ISL32437EIUZ | 2437E | -40 to +85 | - | 8 Ld MSOP | M8.118 |
| ISL32437EIUZ-T | 2437E | -40 to +85 | 2.5k | 8 Ld MSOP | M8.118 |
| ISL32437EIUZ-T7A | 2437E | -40 to +85 | 250 | 8 Ld MSOP | M8.118 |

NOTES:

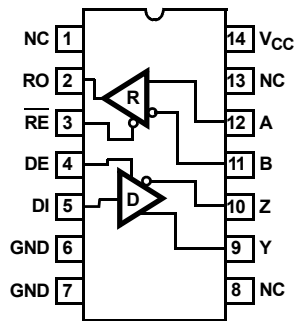
1. See [TB347](#) for details about reel specifications.
2. These Pb-free plastic packaged products employ special Pb-free material sets, molding compounds/die attach materials, and 100% matte tin plate plus anneal (e3 termination finish, which is RoHS compliant and compatible with both SnPb and Pb-free soldering operations). Pb-free products are MSL classified at Pb-free peak reflow temperatures that meet or exceed the Pb-free requirements of IPC/JEDEC J STD-020.
3. For Moisture Sensitivity Level (MSL), see the [ISL32430E](#), [ISL32432E](#), [ISL32433E](#), [ISL32435E](#), [ISL32437E](#) device pages. For more information about MSL, see [TB363](#).

TABLE 1. SUMMARY OF FEATURES

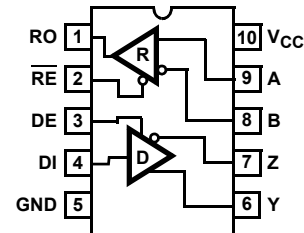
| PART NUMBER | HALF/FULL DUPLEX | DATA RATE (Mbps) | SLEW-RATE LIMITED? | EN PINS? | HOT PLUG | CABLE INVERT (INV) PIN? | QUIESCENT I _{CC} (mA) | LOW POWER SHUTDOWN? | PIN COUNT |
|-------------|------------------|------------------|--------------------|----------|----------|-------------------------|--------------------------------|---------------------|-----------|
| ISL32430E | Full | 0.25 | Yes | Yes | No | No | 2.1 | Yes | 10, 14 |
| ISL32432E | Half | 0.25 | Yes | Yes | No | No | 2.1 | Yes | 8 |
| ISL32433E | Full | 1 | Yes | Yes | No | No | 2.1 | Yes | 10, 14 |
| ISL32435E | Half | 1 | Yes | Yes | No | No | 2.1 | Yes | 8 |
| ISL32437E | Half | 0.25 | Yes | Tx Only | No | Yes | 2.1 | No | 8 |

Pin Configurations

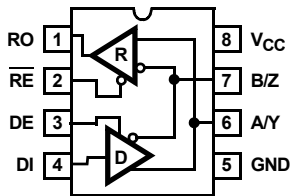
ISL32430E, ISL32433E
(14 LD SOIC)
TOP VIEW



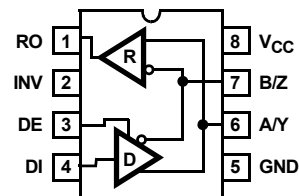
ISL32430E, ISL32433E
(10 LD MSOP)
TOP VIEW



ISL32432E, ISL32435E
(8 LD SOIC, 8 LD MSOP)
TOP VIEW



ISL32437E
(8 LD SOIC, 8 LD MSOP)
TOP VIEW



Pin Descriptions

| PIN NAME | PIN NUMBER | | | | | FUNCTION |
|------------------------|----------------------------------|----------------------------------|----------------------|-----------|--|--|
| | ISL32430E, ISL32433E, 14 LD SOIC | ISL32430E, ISL32433E, 10 LD MSOP | ISL32432E, ISL32435E | ISL32437E | | |
| RO | 2 | 1 | 1 | 1 | | Receiver output. For parts without the cable invert function, or if INV is low, then: If $A - B \geq -10\text{mV}$, RO is high; if $A - B \leq -200\text{mV}$, RO is low. If INV is high, then: If $B - A \geq -10\text{mV}$, RO is high; if $B - A \leq -200\text{mV}$, RO is low. In all cases, RO = High if A and B are unconnected (floating), or shorted together, or connected to an undriven, terminated bus (For example, Rx is always fail-safe open, shorted, and idle, even if polarity is inverted). |
| $\overline{\text{RE}}$ | 3 | 2 | 2 | N/A | | Receiver output enable. RO is enabled when $\overline{\text{RE}}$ is low; RO is high impedance when $\overline{\text{RE}}$ is high. Internally pulled low. |
| DE | 4 | 3 | 3 | 3 | | Driver output enable. The driver outputs, Y and Z, are enabled by bringing DE high, and they are high impedance when DE is low. Internally pulled high. |
| DI | 5 | 4 | 4 | 4 | | Driver input. For parts without the cable invert function, or if INV is low, a low on DI forces output Y low and output Z high, while a high on DI forces output Y high and output Z low. The output states, relative to DI, invert if INV is high. |

Pin Descriptions (Continued)

| PIN NAME | PIN NUMBER | | | | FUNCTION |
|-----------------|----------------------------------|----------------------------------|----------------------|-----------|---|
| | ISL32430E, ISL32433E, 14 LD SOIC | ISL32430E, ISL32433E, 10 LD MSOP | ISL32432E, ISL32435E | ISL32437E | |
| GND | 6, 7 | 5 | 5 | 5 | Ground connection. |
| A/Y | N/A | N/A | 6 | 6 | ±40V Fault Protected and ±15kV ESD protected RS-485/RS-422 I/O pin. For parts without the cable invert function, or if INV is low, A/Y is the non-inverting receiver input and non-inverting driver output. If INV is high, A/Y is the inverting receiver input and the inverting driver output. Pin is an input if DE = 0; pin is an output if DE = 1. |
| B/Z | N/A | N/A | 7 | 7 | ±40V Fault Protected and ±15kV ESD protected RS-485/RS-422 I/O pin. For parts without the cable invert function, or if INV is low, B/Z is the inverting receiver input and inverting driver output. If INV is high, B/Z is the non-inverting receiver input and the non-inverting driver output. Pin is an input if DE = 0; pin is an output if DE = 1. |
| A | 12 | 9 | N/A | N/A | ±40V Fault Protected and ±15kV ESD protected RS-485/RS-422 non-inverting receiver input. |
| B | 11 | 8 | N/A | N/A | ±40V Fault Protected and ±15kV ESD protected RS-485/RS-422 inverting receiver input. |
| Y | 9 | 6 | N/A | N/A | ±40V Fault Protected and ±15kV ESD protected RS-485/RS-422 non-inverting driver output. |
| Z | 10 | 7 | N/A | N/A | ±40V Fault Protected and ±15kV ESD protected RS-485/RS-422 inverting driver output. |
| V _{CC} | 14 | 10 | 8 | 8 | System power supply input (3V to 5.5V). |
| INV | N/A | N/A | N/A | 2 | Receiver and driver Cable Invert (polarity selection) input. When driven high, this pin swaps the polarity of the driver output and receiver input pins. If unconnected (floating) or connected low, normal RS-485 polarity conventions apply. Internally pulled low. |
| NC | 1, 8, 13 | N/A | N/A | N/A | No Internal Connection. |

Truth Tables

| TRANSMITTING | | | | | |
|-----------------|----|----|--------------|---------|---------|
| INPUTS | | | | OUTPUTS | |
| \overline{RE} | DE | DI | INV (Note 4) | Y | Z |
| X | 1 | 1 | 0 | 1 | 0 |
| X | 1 | 0 | 0 | 0 | 1 |
| X | 1 | 1 | 1 | 0 | 1 |
| X | 1 | 0 | 1 | 1 | 0 |
| 0 | 0 | X | X | High-Z | High-Z |
| 1 | 0 | X | X | High-Z* | High-Z* |

NOTES:

4. Parts without the INV pin follow the rows with INV = "0" and "X".
 *Low Power Shutdown Mode (See [Notes 13](#) and [18](#)).

| RECEIVING | | | | | |
|---------------------------|------------------|------------------|------------------------|--------------|---------|
| INPUTS | | | | | OUTPUT |
| \overline{RE} (Note 18) | DE (Half Duplex) | DE (Full Duplex) | A-B | INV (Note 4) | RO |
| 0 | 0 | X | $\geq -0.01V$ | 0 | 1 |
| 0 | 0 | X | $\leq -0.2V$ | 0 | 0 |
| 0 | 0 | X | $\leq 0.01V$ | 1 | 1 |
| 0 | 0 | X | $\geq 0.2V$ | 1 | 0 |
| 0 | 0 | X | Inputs Open or Shorted | X | 1 |
| 1 | 0 | 0 | X | X | High-Z* |
| 1 | 1 | 1 | X | X | High-Z |

NOTE: *Low Power Shutdown Mode (See [Notes 13](#) and [18](#)).

Absolute Maximum Ratings

| | |
|---|---|
| V _{CC} to Ground | 7V |
| Input Voltages | |
| DI, DE, \overline{RE} , INV | -0.3V to V _{CC} + 0.3V |
| Input/Output Voltages | |
| A/Y, B/Z, A, B, Y, Z | ±50V |
| A/Y, B/Z, A, B, Y, Z | |
| (Transient Pulse Through 100Ω, Note 5) | ±60V |
| RO | -0.3V to (V _{CC} + 0.3V) |
| Short-Circuit Duration | |
| Y, Z | Indefinite |
| ESD Rating | see "ESD PERFORMANCE" on page 7 |
| Latch-Up (per JESD78, Level 2, Class A) | +125°C |

Thermal Information

| | | |
|---|---------------------------|----------------------|
| Thermal Resistance (Typical) | θ_{JA} (°C/W) | θ_{JC} (°C/W) |
| 8 Ld SOIC Package (Notes 6, 7) | 108 | 47 |
| 8 Ld MSOP Package (Notes 6, 7) | 140 | 40 |
| 10 Ld MSOP Package (Notes 6, 7) | 135 | 50 |
| 14 Ld SOIC Package (Notes 6, 7) | 88 | 39 |
| Maximum Junction Temperature (Plastic Package) | +150°C | |
| Maximum Storage Temperature Range | -65°C to +150°C | |
| Pb-Free Reflow Profile | see TB493 | |

Recommended Operating Conditions

| | |
|-----------------------------------|----------------|
| Supply Voltage (V _{CC}) | 3.3V or 5V |
| Temperature Range | -40°C to +85°C |
| Bus Pin Common-Mode Voltage Range | -15V to +15V |

CAUTION: Do not operate at or near the maximum ratings listed for extended periods of time. Exposure to such conditions can adversely impact product reliability and result in failures not covered by warranty.

NOTES:

5. Tested according to TIA/EIA-485-A, Section 4.2.6 (±60V for 15μs at a 1% duty cycle).
6. θ_{JA} is measured with the component mounted on a high-effective thermal conductivity test board in free air. See [TB379](#) for details.
7. For θ_{JC} , the "case temp" location is taken at the package top center.

Electrical Specifications Test conditions: V_{CC} = 3V to 3.6V and 4.5V to 5.5V; unless otherwise specified. Typical values are at the worst case of V_{CC} = 5V or V_{CC} = 3.3V, T_A = +25°C ([Note 8](#)). **Boldface limits apply across the operating temperature range, -40°C to +85°C.**

| PARAMETER | SYMBOL | TEST CONDITIONS | TEMP (°C) | MIN (Note 16) | TYP | MAX (Note 16) | UNIT | |
|---|-------------------|--|------------------------|---------------------------------|-------------|---------------------------------|------|---|
| DC CHARACTERISTICS | | | | | | | | |
| Driver Differential V _{OUT} (No load) | V _{OD1} | | Full | - | - | V _{CC} | V | |
| Driver Differential V _{OUT} (Loaded, Figure 6A) | V _{OD2} | R _L = 100Ω (RS-422), V _{CC} ≥ 4.5V | Full | 2 | 3 | - | V | |
| | | R _L = 54Ω (RS-485) | V _{CC} ≥ 4.5V | Full | 1.7 | 2.3 | - | V |
| | | | V _{CC} = 3.3V | Full | 1.35 | 1.42 | - | V |
| | | | V _{CC} ≥ 3V | Full | 1.1 | 1.3 | - | V |
| Change in Magnitude of Driver Differential V _{OUT} for Complementary Output States | ΔV _{OD} | R _L = 54Ω or 100Ω (Figure 6A) | Full | - | - | 0.2 | V | |
| Driver Differential V _{OUT} with Common-Mode Load (Figure 6B) | V _{OD3} | R _L = 60Ω, -15V ≤ V _{CM} ≤ 15V, V _{CC} ≥ 4.5V | Full | 1.5 | - | - | V | |
| Driver Common-Mode V _{OUT} (Figure 6A) | V _{OC} | R _L = 54Ω or 100Ω | Full | -1 | - | 3 | V | |
| Change in Magnitude of Driver Common-Mode V _{OUT} for Complementary Output States | ΔV _{OC} | R _L = 54Ω or 100Ω (Figure 6A) | Full | - | - | 0.2 | V | |
| Driver Short-Circuit Current | I _{OSD} | DE = V _{CC} , -15V ≤ V _O ≤ 15V (Note 10) | Full | -250 | - | 250 | mA | |
| | I _{OSD1} | At first foldback, 24V ≤ V _O ≤ -24V | Full | -83 | - | 83 | mA | |
| | I _{OSD2} | At second foldback, 35V ≤ V _O ≤ -35V | Full | -13 | - | 13 | mA | |
| Logic Input High Voltage | V _{IH} | DE, DI, \overline{RE} , INV (See Figure 28) | Full | 2.35 | - | - | V | |
| Logic Input Low Voltage | V _{IL} | DE, DI, \overline{RE} , INV | Full | - | - | 0.8 | V | |
| Logic Input Current | I _{IN1} | DI | Full | -1 | - | 1 | μA | |
| | | DE, \overline{RE} , INV | Full | -15 | 6 | 15 | μA | |

Electrical Specifications Test conditions: $V_{CC} = 3V$ to $3.6V$ and $4.5V$ to $5.5V$; unless otherwise specified. Typical values are at the worst case of $V_{CC} = 5V$ or $V_{CC} = 3.3V$, $T_A = +25^\circ C$ (Note 8). **Boldface limits apply across the operating temperature range, $-40^\circ C$ to $+85^\circ C$.**

| PARAMETER | SYMBOL | TEST CONDITIONS | TEMP ($^\circ C$) | MIN (Note 16) | TYP | MAX (Note 16) | UNIT | |
|---|-----------------------|---|--|------------------|-------------|-----------------------------|------------|---------|
| Input/Output Current (A/Y, B/Z) | I_{IN2} | DE = 0V, $V_{CC} = 0V$ or 3.6V or 5.5V | $V_{IN} = 12V$ | Full | - | - | 250 | μA |
| | | | $V_{IN} = -7V$ | Full | -200 | - | - | μA |
| | | | $V_{IN} = \pm 15V$ | Full | -800 | - | 850 | μA |
| | | | $V_{IN} = \pm 40V$, (Note 17) | Full | -6 | - | 6 | mA |
| Input Current (A, B) (Full Duplex Versions Only) | I_{IN3} | $V_{CC} = 0V$ or 3.6V or 5.5V | $V_{IN} = 12V$ | Full | - | - | 125 | μA |
| | | | $V_{IN} = -7V$ | Full | -100 | - | - | μA |
| | | | $V_{IN} = \pm 15V$ | Full | -500 | - | 500 | μA |
| | | | $V_{IN} = \pm 40V$, (Note 17) | Full | -3 | - | 3 | mA |
| Output Leakage Current (Y, Z) (Full Duplex Versions Only) | I_{OZD} | $\overline{RE} = 0V$, DE = 0V, $V_{CC} = 0V$ or 3.6V or 5.5V | $V_{IN} = 12V$ | Full | - | - | 200 | μA |
| | | | $V_{IN} = -7V$ | Full | -100 | - | - | μA |
| | | | $V_{IN} = \pm 15V$ | Full | -500 | - | 500 | μA |
| | | | $V_{IN} = \pm 40V$, (Note 17) | Full | -3 | - | 3 | mA |
| Receiver Differential Threshold Voltage | V_{TH} | $-15V \leq V_{CM} \leq 15V$, (For ISL32437E only, A-B if INV = 0; B-A if INV = 1) | $V_{CC} \leq 3.6V$ | Full | -200 | -120 | -10 | mV |
| | | | $V_{CC} \geq 4.5V$ | Full | -250 | -180 | -10 | mV |
| Receiver Input Hysteresis | ΔV_{TH} | $-15V \leq V_{CM} \leq 15V$ | +25 | - | 30 | - | mV | |
| Receiver Output High Voltage | V_{OH1} | $V_{ID} = -10mV$ | $I_O = -4mA$, $V_{CC} \geq 3V$ | Full | 2.4 | - | - | V |
| | V_{OH2} | | $I_O = -8mA$, $V_{CC} \geq 4.5V$ | Full | 2.4 | - | - | V |
| Receiver Output Low Voltage | V_{OL} | $I_O = 4mA$, $V_{CC} \geq 3V$, $V_{ID} = -200mV$ | | Full | - | - | 0.4 | V |
| | | | $I_O = 5mA$, $V_{CC} \geq 4.5V$, $V_{ID} = -250mV$ | Full | - | - | 0.4 | V |
| Three-State (High Impedance) Receiver Output Current (Note 18) | I_{OZR} | $0V \leq V_O \leq V_{CC}$ | Full | -1 | 0.01 | 1 | μA | |
| Receiver Short-Circuit Current | I_{OSR} | $0V \leq V_O \leq V_{CC}$ | Full | - | - | ± 115 | mA | |
| SUPPLY CURRENT | | | | | | | | |
| No-Load Supply Current (Note 9) | I_{CC} | DE = V_{CC} , $\overline{RE} = 0V$ or V_{CC} , DI = 0V or V_{CC} | Full | - | 2.1 | 4.5 | mA | |
| Shutdown Supply Current (Note 18) | I_{SHDN} | DE = 0V, $\overline{RE} = V_{CC}$, DI = 0V or V_{CC} | Full | - | 10 | 35 | μA | |
| ESD PERFORMANCE | | | | | | | | |
| All Pins | | Human Body Model (Tested per JESD22-A114E) | +25 | - | ± 8 | - | kV | |
| | | Machine Model (Tested per JESD22-A115-A) | +25 | - | ± 700 | - | V | |
| RS-485 Pins (A, B, Y, Z, A/Y, B/Z) | | Human Body Model, from Bus Pins to GND | Full Duplex | +25 | - | ± 15 | - | kV |
| | | | Half Duplex | +25 | - | ± 16.5 | - | kV |
| DRIVER SWITCHING CHARACTERISTICS (250kbps Versions; ISL32430E, ISL32432E, ISL32437E) | | | | | | | | |
| Driver Differential Output Delay | t_{PLH} , t_{PHL} | $R_D = 54\Omega$, $C_D = 50pF$ (Figure 7) | Full | - | 280 | 1000 | ns | |
| Driver Differential Output Skew | t_{SKEW} | $R_D = 54\Omega$, $C_D = 50pF$ (Figure 7) | Full | - | 4 | 100 | ns | |
| Driver Differential Rise or Fall Time | t_R , t_F | $R_D = 54\Omega$, $C_D = 50pF$ (Figure 7) | Full | 250 | 650 | 1500 | ns | |
| Maximum Data Rate | f_{MAX} | $C_D = 820pF$ (Figure 9) | Full | 250 | - | - | kbps | |
| Driver Enable to Output High | t_{ZH} | SW = GND (Figure 8), (Note 11) | Full | - | - | 1600 | ns | |
| Driver Enable to Output Low | t_{ZL} | SW = V_{CC} (Figure 8), (Note 11) | Full | - | - | 1600 | ns | |

Electrical Specifications Test conditions: $V_{CC} = 3V$ to $3.6V$ and $4.5V$ to $5.5V$; unless otherwise specified. Typical values are at the worst case of $V_{CC} = 5V$ or $V_{CC} = 3.3V$, $T_A = +25^\circ C$ (Note 8). **Boldface limits apply across the operating temperature range, $-40^\circ C$ to $+85^\circ C$.**

| PARAMETER | SYMBOL | TEST CONDITIONS | TEMP ($^\circ C$) | MIN (Note 16) | TYP | MAX (Note 16) | UNIT |
|---|--------------------|---|------------------------|------------------|-----|------------------|------|
| Driver Disable from Output Low | t_{LZ} | SW = V_{CC} (Figure 8) | Full | - | - | 300 | ns |
| Driver Disable from Output High | t_{HZ} | SW = GND (Figure 8) | Full | - | - | 300 | ns |
| Time to Shutdown | t_{SHDN} | (Notes 13, 18) | Full | 60 | 160 | 600 | ns |
| Driver Enable from Shutdown to Output High | $t_{ZH}(SHDN)$ | SW = GND (Figure 8), (Notes 13, 14, 18) | Full | - | - | 3000 | ns |
| Driver Enable from Shutdown to Output Low | $t_{ZL}(SHDN)$ | SW = V_{CC} (Figure 8), (Notes 13, 14, 18) | Full | - | - | 3000 | ns |
| DRIVER SWITCHING CHARACTERISTICS (1Mbps Versions; ISL32433E and ISL32435E) | | | | | | | |
| Driver Differential Output Delay | t_{PLH}, t_{PHL} | $R_D = 54\Omega$, $C_D = 50pF$ (Figure 7) | Full | - | 70 | 200 | ns |
| Driver Differential Output Skew | t_{SKEW} | $R_D = 54\Omega$, $C_D = 50pF$ (Figure 7) | Full | - | 4 | 25 | ns |
| Driver Differential Rise or Fall Time | t_R, t_F | $R_D = 54\Omega$, $C_D = 50pF$ (Figure 7) | Full | 50 | 130 | 300 | ns |
| Maximum Data Rate | f_{MAX} | $C_D = 820pF$ (Figure 9) | Full | 1 | - | - | Mbps |
| Driver Enable to Output High | t_{ZH} | SW = GND (Figure 8), (Note 11) | Full | - | - | 300 | ns |
| Driver Enable to Output Low | t_{ZL} | SW = V_{CC} (Figure 8), (Note 11) | Full | - | - | 300 | ns |
| Driver Disable from Output Low | t_{LZ} | SW = V_{CC} (Figure 8) | Full | - | - | 300 | ns |
| Driver Disable from Output High | t_{HZ} | SW = GND (Figure 8) | Full | - | - | 300 | ns |
| Time to Shutdown | t_{SHDN} | (Note 13) | Full | 60 | 160 | 600 | ns |
| Driver Enable from Shutdown to Output High | $t_{ZH}(SHDN)$ | SW = GND (Figure 8), (Notes 13, 14) | Full | - | - | 3000 | ns |
| Driver Enable from Shutdown to Output Low | $t_{ZL}(SHDN)$ | SW = V_{CC} (Figure 8), (Notes 13, 14) | Full | - | - | 3000 | ns |
| RECEIVER SWITCHING CHARACTERISTICS (250kbps Versions; ISL32430E, ISL32432E, ISL32437E) | | | | | | | |
| Maximum Data Rate | f_{MAX} | (Figure 10) | Full | 250 | - | - | kbps |
| Receiver Input to Output Delay | t_{PLH}, t_{PHL} | (Figure 10) | Full | - | 240 | 325 | ns |
| Receiver Skew $t_{PLH} - t_{PHL}$ | t_{SKD} | (Figure 10) | Full | - | 6 | 25 | ns |
| Receiver Enable to Output Low | t_{ZL} | $R_L = 1k\Omega$, $C_L = 15pF$, SW = V_{CC} (Figure 11), (Notes 12, 18) | Full | - | - | 80 | ns |
| Receiver Enable to Output High | t_{ZH} | $R_L = 1k\Omega$, $C_L = 15pF$, SW = GND (Figure 11), (Notes 12, 18) | Full | - | - | 80 | ns |
| Receiver Disable from Output Low | t_{LZ} | $R_L = 1k\Omega$, $C_L = 15pF$, SW = V_{CC} (Figure 11), (Note 18) | Full | - | - | 80 | ns |
| Receiver Disable from Output High | t_{HZ} | $R_L = 1k\Omega$, $C_L = 15pF$, SW = GND (Figure 11), (Note 18) | Full | - | - | 80 | ns |
| Time to Shutdown | t_{SHDN} | (Notes 13, 18) | Full | 60 | 160 | 600 | ns |
| Receiver Enable from Shutdown to Output High | $t_{ZH}(SHDN)$ | $R_L = 1k\Omega$, $C_L = 15pF$, SW = GND (Figure 11), (Notes 13, 15, 18) | Full | - | - | 2500 | ns |
| Receiver Enable from Shutdown to Output Low | $t_{ZL}(SHDN)$ | $R_L = 1k\Omega$, $C_L = 15pF$, SW = V_{CC} (Figure 11), (Notes 13, 15, 18) | Full | - | - | 2500 | ns |
| RECEIVER SWITCHING CHARACTERISTICS (1Mbps Versions; ISL32433E, ISL32435E) | | | | | | | |
| Maximum Data Rate | f_{MAX} | (Figure 10) | Full | 1 | - | - | Mbps |
| Receiver Input to Output Delay | t_{PLH}, t_{PHL} | (Figure 10) | Full | - | 115 | 200 | ns |
| Receiver Skew $t_{PLH} - t_{PHL}$ | t_{SKD} | (Figure 10) | Full | - | 4 | 20 | ns |

Electrical Specifications Test conditions: $V_{CC} = 3V$ to $3.6V$ and $4.5V$ to $5.5V$; unless otherwise specified. Typical values are at the worst case of $V_{CC} = 5V$ or $V_{CC} = 3.3V$, $T_A = +25^\circ C$ (Note 8). **Boldface limits apply across the operating temperature range, $-40^\circ C$ to $+85^\circ C$.**

| PARAMETER | SYMBOL | TEST CONDITIONS | TEMP (°C) | MIN (Note 16) | TYP | MAX (Note 16) | UNIT |
|--|----------------|---|-----------|---------------|-----|---------------|------|
| Receiver Enable to Output Low | t_{ZL} | $R_L = 1k\Omega$, $C_L = 15pF$, $SW = V_{CC}$ (Figure 11), (Note 12) | Full | - | - | 80 | ns |
| Receiver Enable to Output High | t_{ZH} | $R_L = 1k\Omega$, $C_L = 15pF$, $SW = GND$ (Figure 11), (Note 12) | Full | - | - | 80 | ns |
| Receiver Disable from Output Low | t_{LZ} | $R_L = 1k\Omega$, $C_L = 15pF$, $SW = V_{CC}$ (Figure 11) | Full | - | - | 80 | ns |
| Receiver Disable from Output High | t_{HZ} | $R_L = 1k\Omega$, $C_L = 15pF$, $SW = GND$ (Figure 11) | Full | - | - | 80 | ns |
| Time to Shutdown | t_{SHDN} | (Note 13) | Full | 60 | 160 | 600 | ns |
| Receiver Enable from Shutdown to Output High | $t_{ZH(SHDN)}$ | $R_L = 1k\Omega$, $C_L = 15pF$, $SW = GND$ (Figure 11), (Notes 13, 15) | Full | - | - | 2500 | ns |
| Receiver Enable from Shutdown to Output Low | $t_{ZL(SHDN)}$ | $R_L = 1k\Omega$, $C_L = 15pF$, $SW = V_{CC}$ (Figure 11), (Notes 13, 15) | Full | - | - | 2500 | ns |

NOTES:

- All currents into device pins are positive; all currents out of device pins are negative. All voltages are referenced to device ground unless otherwise specified.
- Supply current specification is valid for loaded drivers when $DE = 0V$.
- Applies to peak current. See "Typical Performance Curves" beginning on page 11 for more information.
- Keep $\overline{RE} = 0$ to prevent the device from entering SHDN (does not apply to the ISL32437E).
- The \overline{RE} signal high time must be short enough (typically $<100ns$) to prevent the device from entering SHDN.
- Transceivers are put into shutdown by bringing \overline{RE} high and DE low. If the inputs are in this state for less than $60ns$, the parts are ensured not to enter shutdown. If the inputs are in this state for at least $600ns$, the parts are ensured to enter shutdown see ("Low Power Shutdown Mode" on page 16).
- Keep $\overline{RE} = V_{CC}$, and set the DE signal low time $>600ns$ to ensure that the device enters SHDN.
- Set the \overline{RE} signal high time $>600ns$ to ensure that the device enters SHDN.
- Compliance to data sheet limits is assured by one or more methods: production test, characterization and/or design.
- See "Caution" statement below "Absolute Maximum Ratings" on page 6.
- Does not apply to the ISL32437E. The ISL32437E has no Rx enable function, and thus no SHDN function.

Test Circuits and Waveforms

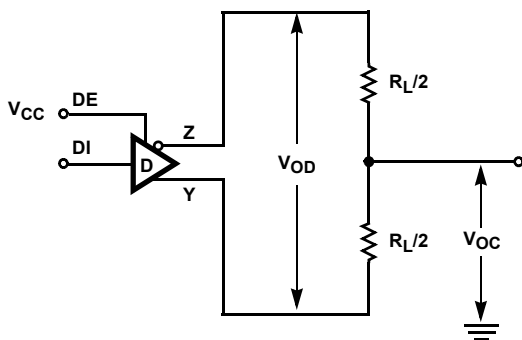


FIGURE 6A. V_{OD} AND V_{OC}

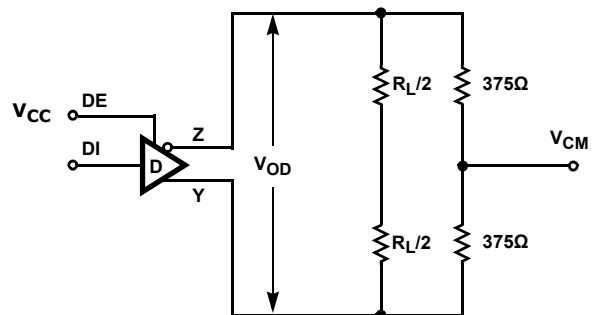


FIGURE 6B. V_{OD} WITH COMMON-MODE LOAD

FIGURE 6. DC DRIVER TEST CIRCUITS

Test Circuits and Waveforms (Continued)

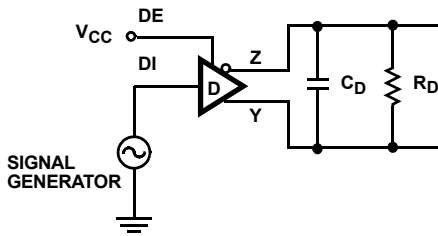


FIGURE 7A. TEST CIRCUIT

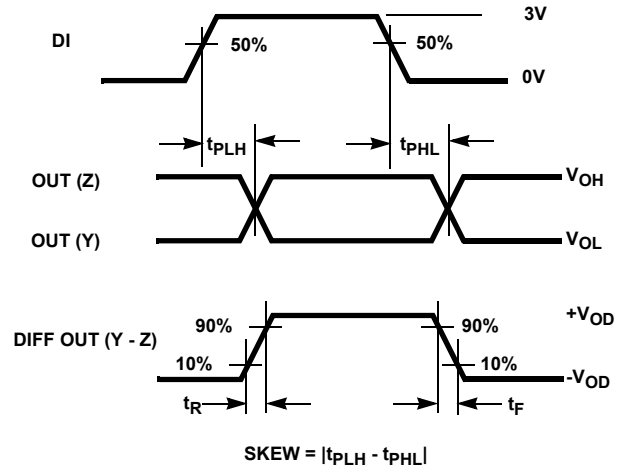


FIGURE 7B. MEASUREMENT POINTS

FIGURE 7. DRIVER PROPAGATION DELAY AND DIFFERENTIAL TRANSITION TIMES

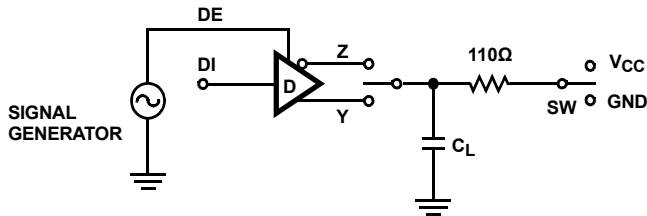


FIGURE 8A. TEST CIRCUIT

| PARAMETER | OUTPUT | RE | DI | SW | CL (pF) |
|-----------|--------|-------------|-----|-----|---------|
| tHZ | Y/Z | X | 1/0 | GND | 50 |
| tLZ | Y/Z | X | 0/1 | VCC | 50 |
| tZH | Y/Z | 0 (Note 11) | 1/0 | GND | 100 |
| tZL | Y/Z | 0 (Note 11) | 0/1 | VCC | 100 |
| tZH(SHDN) | Y/Z | 1 (Note 14) | 1/0 | GND | 100 |
| tZL(SHDN) | Y/Z | 1 (Note 14) | 0/1 | VCC | 100 |

FIGURE 8. DRIVER ENABLE AND DISABLE TIMES

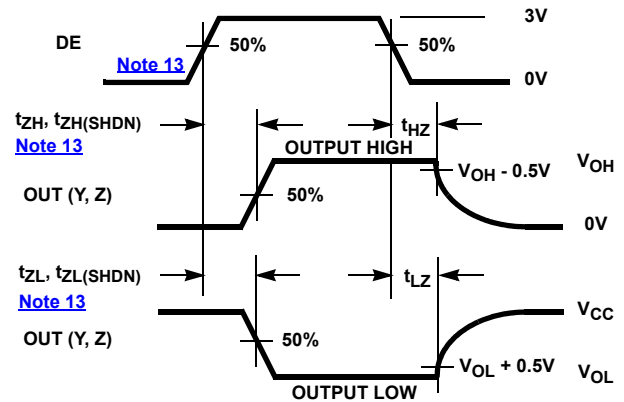


FIGURE 8B. MEASUREMENT POINTS

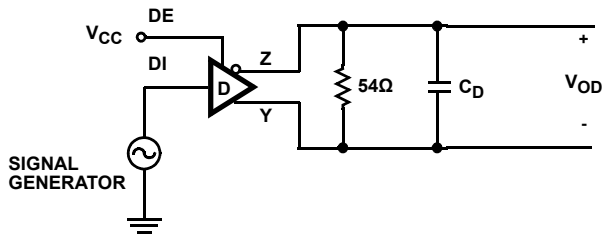


FIGURE 9A. TEST CIRCUIT

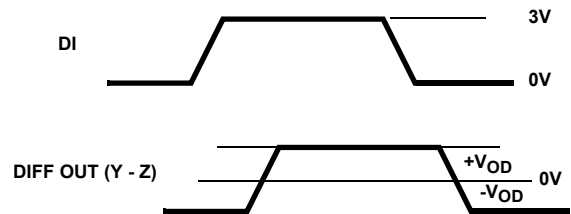


FIGURE 9B. MEASUREMENT POINTS

FIGURE 9. DRIVER DATA RATE

Test Circuits and Waveforms (Continued)

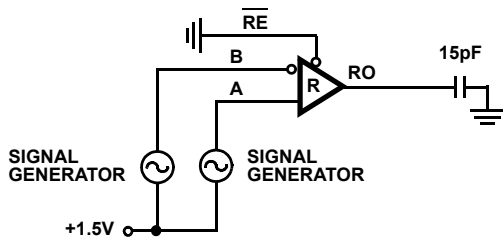


FIGURE 10A. TEST CIRCUIT

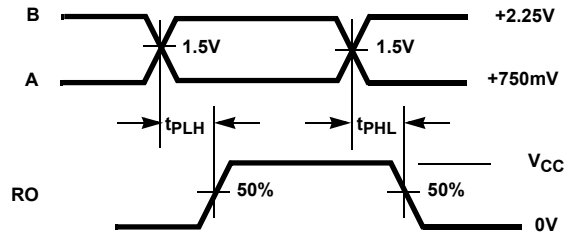
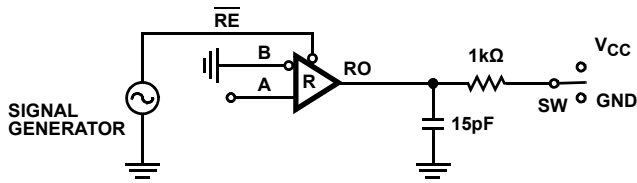


FIGURE 10B. MEASUREMENT POINTS

FIGURE 10. RECEIVER PROPAGATION DELAY AND DATA RATE



| PARAMETER | DE | A | SW |
|--------------------------|----|-------|----------|
| t_{HZ} | 0 | +1.5V | GND |
| t_{LZ} | 0 | -1.5V | V_{CC} |
| t_{ZH} (Note 12) | 0 | +1.5V | GND |
| t_{ZL} (Note 12) | 0 | -1.5V | V_{CC} |
| $t_{ZH(SHDN)}$ (Note 15) | 0 | +1.5V | GND |
| $t_{ZL(SHDN)}$ (Note 15) | 0 | -1.5V | V_{CC} |

FIGURE 11A. TEST CIRCUIT

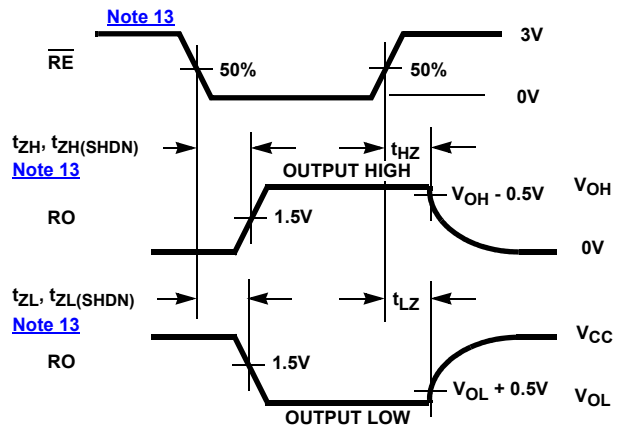


FIGURE 11B. MEASUREMENT POINTS

FIGURE 11. RECEIVER ENABLE AND DISABLE TIMES

Typical Performance Curves $T_A = +25^\circ\text{C}$; unless otherwise specified.

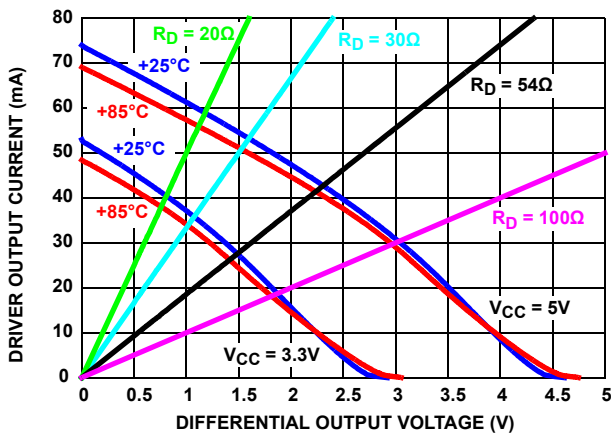


FIGURE 12. DRIVER OUTPUT CURRENT vs DIFFERENTIAL OUTPUT VOLTAGE

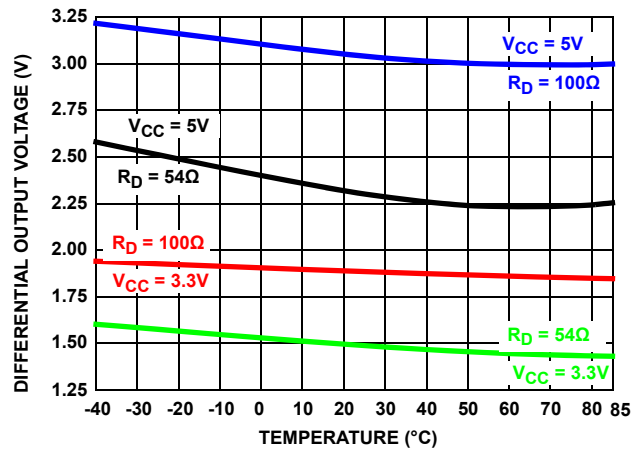


FIGURE 13. DRIVER DIFFERENTIAL OUTPUT VOLTAGE vs TEMPERATURE

Typical Performance Curves $T_A = +25^\circ\text{C}$; unless otherwise specified. (Continued)

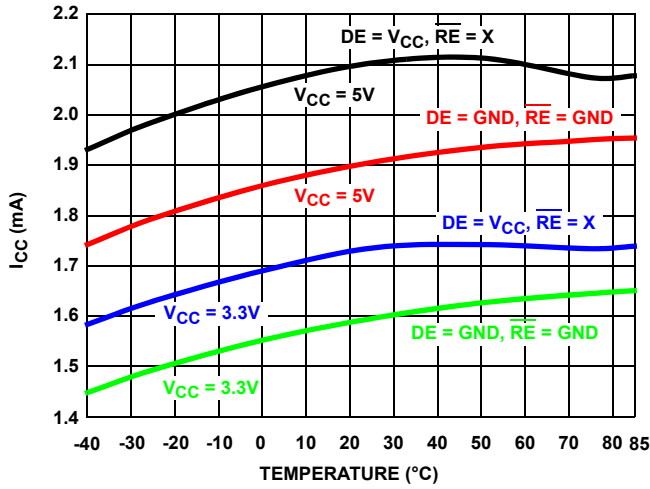


FIGURE 14. SUPPLY CURRENT vs TEMPERATURE

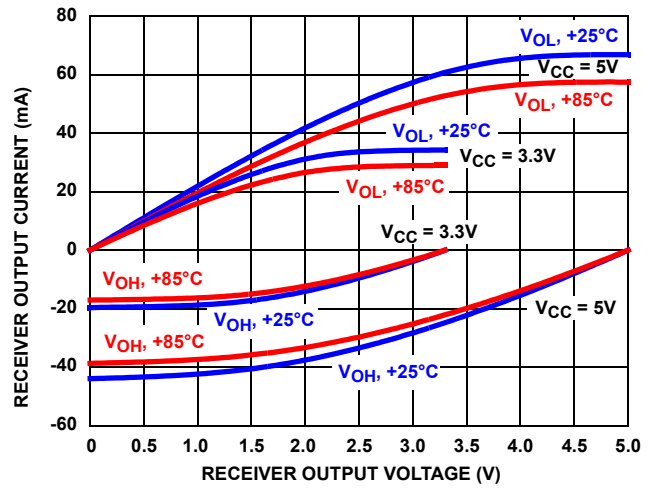


FIGURE 15. RECEIVER OUTPUT CURRENT vs RECEIVER OUTPUT VOLTAGE

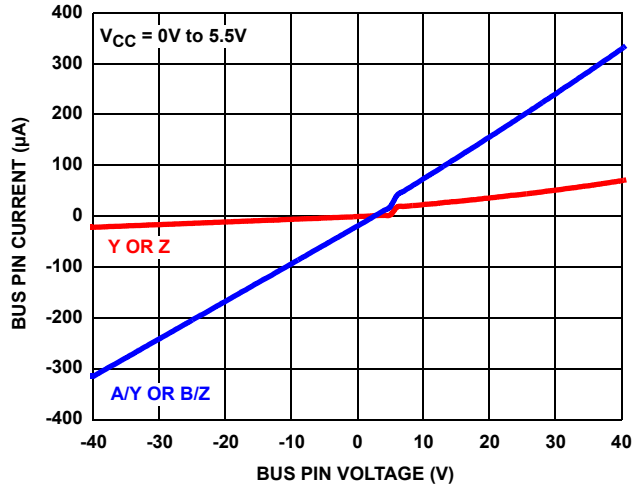


FIGURE 16. BUS PIN CURRENT vs BUS PIN VOLTAGE

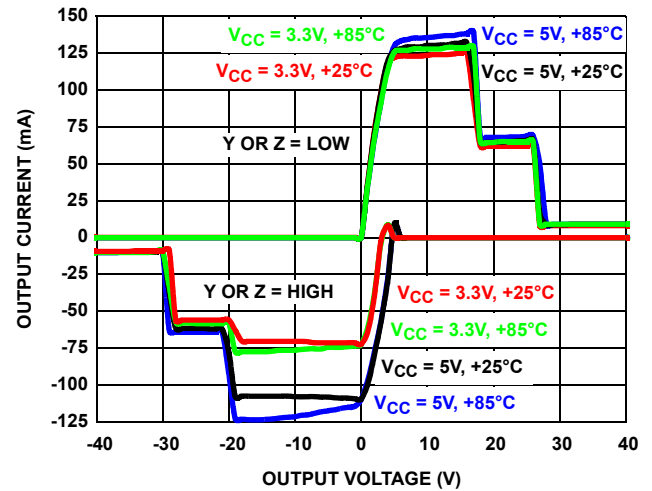


FIGURE 17. DRIVER OUTPUT CURRENT vs SHORT-CIRCUIT VOLTAGE

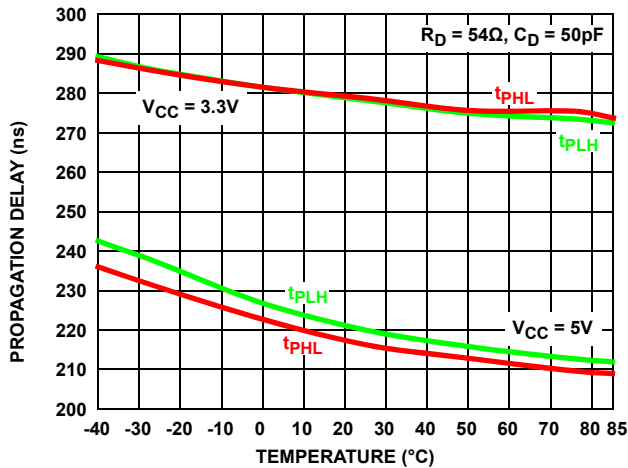


FIGURE 18. DRIVER DIFFERENTIAL PROPAGATION DELAY vs TEMPERATURE (ISL32430E, ISL32432E, ISL32437E)

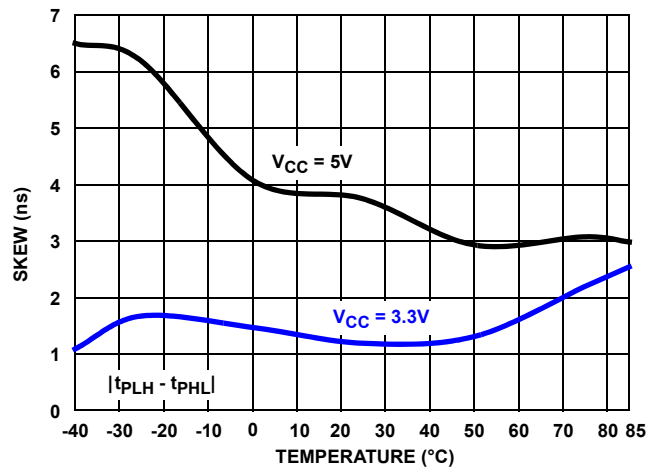


FIGURE 19. DRIVER DIFFERENTIAL SKEW vs TEMPERATURE (ISL32430E, ISL32432E, ISL32437E)

Typical Performance Curves $T_A = +25^\circ\text{C}$; unless otherwise specified. (Continued)

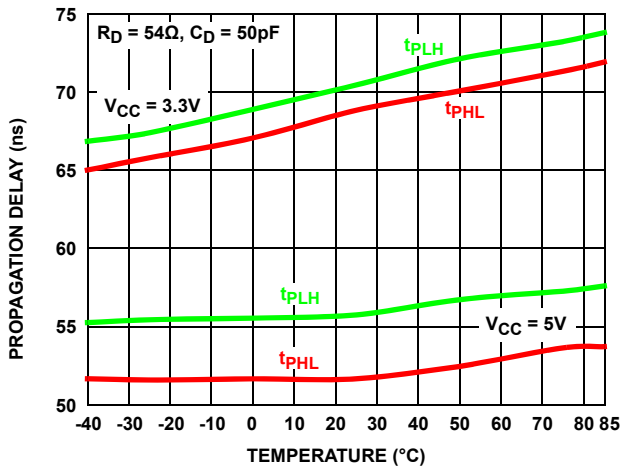


FIGURE 20. DRIVER DIFFERENTIAL PROPAGATION DELAY vs TEMPERATURE (ISL32433E, ISL32435E)

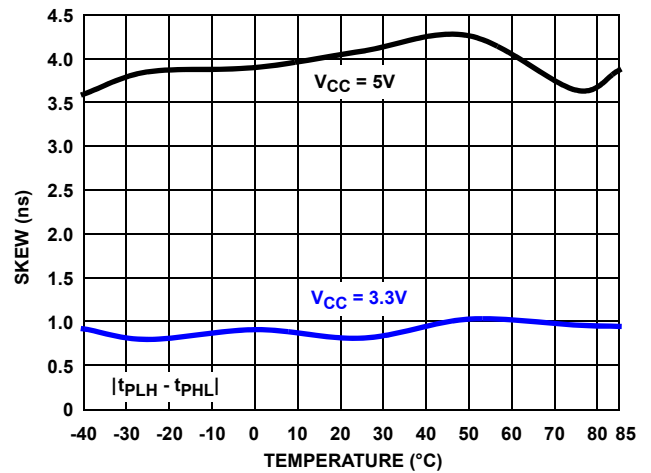


FIGURE 21. DRIVER DIFFERENTIAL SKEW vs TEMPERATURE (ISL32433E, ISL32435E)

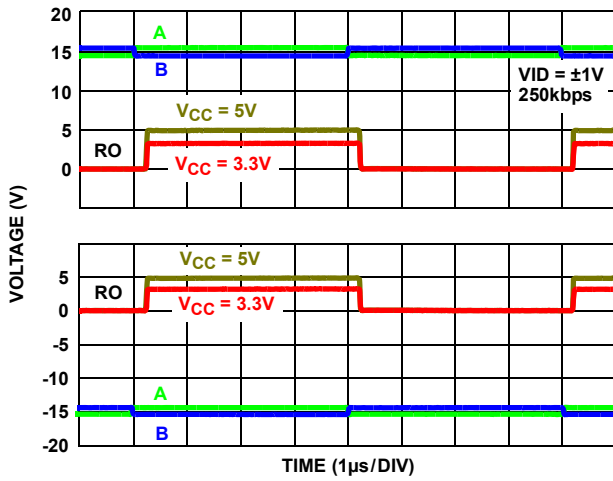


FIGURE 22. $\pm 15\text{V}$ RECEIVER PERFORMANCE (ISL32430E, ISL32432E, ISL32437E)

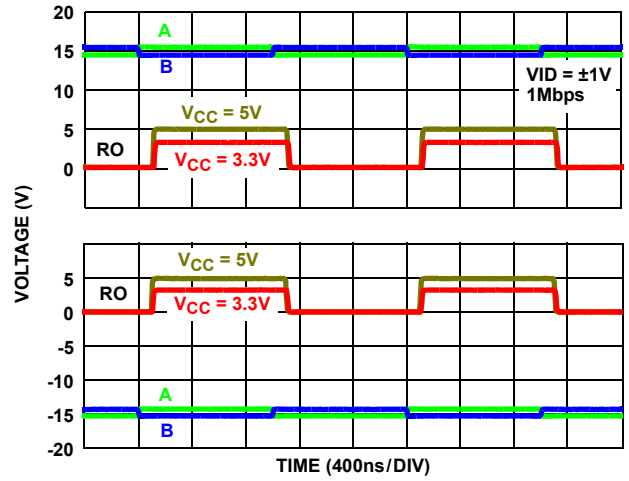


FIGURE 23. $\pm 15\text{V}$ RECEIVER PERFORMANCE (ISL32433E, ISL32435E)

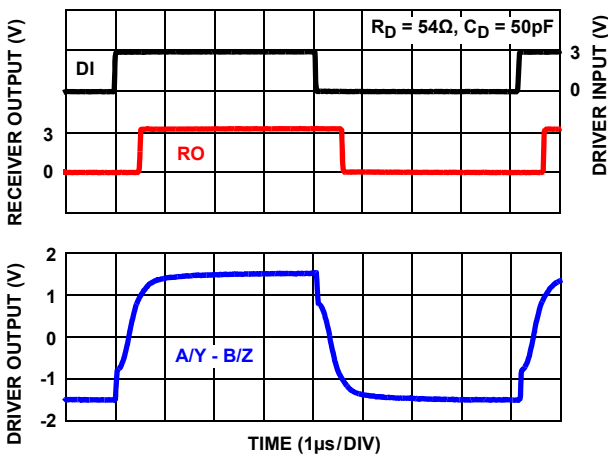


FIGURE 24. $V_{CC} = 3.3\text{V}$, DRIVER AND RECEIVER WAVEFORMS (ISL32430E, ISL32432E, ISL32437E)

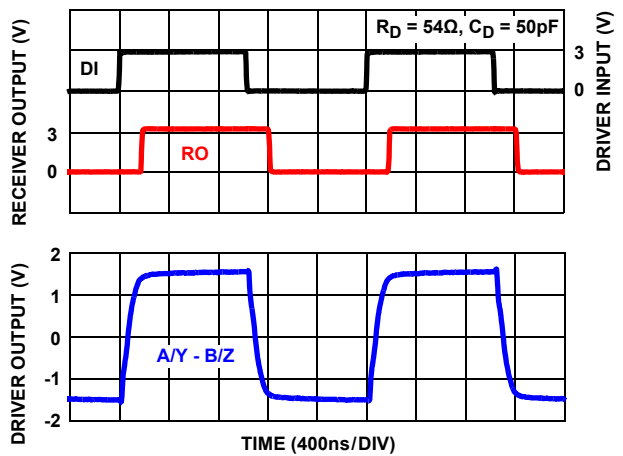


FIGURE 25. $V_{CC} = 3.3\text{V}$, DRIVER AND RECEIVER WAVEFORMS (ISL32433E, ISL32435E)

Typical Performance Curves $T_A = +25^\circ\text{C}$; unless otherwise specified. (Continued)

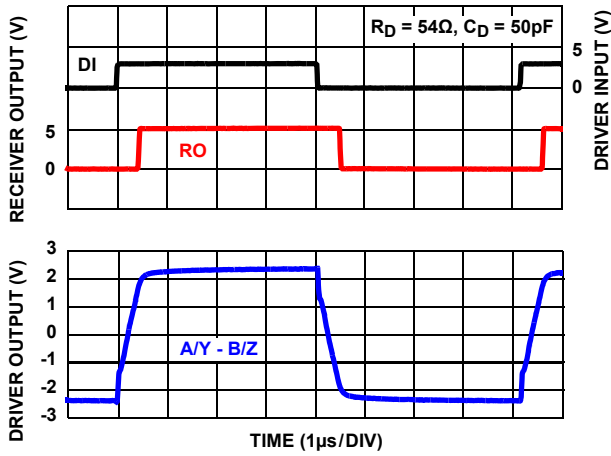


FIGURE 26. $V_{CC} = 5\text{V}$, DRIVER AND RECEIVER WAVEFORMS (ISL32430E, ISL32432E, ISL32437E)

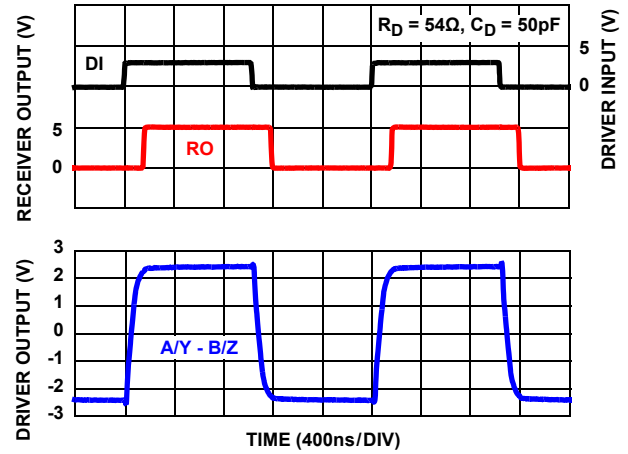


FIGURE 27. $V_{CC} = 5\text{V}$, DRIVER AND RECEIVER WAVEFORMS (ISL32433E, ISL32435E)

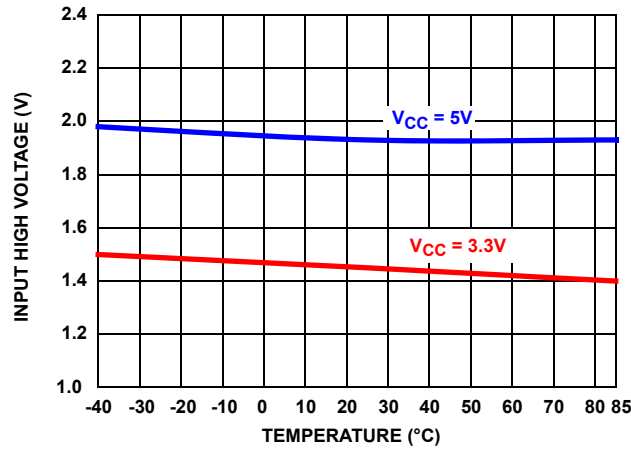


FIGURE 28. LOGIC INPUT HIGH VOLTAGE vs TEMPERATURE

Application Information

RS-485 and RS-422 are differential (balanced) data transmission standards used for long haul or noisy environments. RS-422 is a subset of RS-485, so RS-485 transceivers are also RS-422 compliant. RS-422 is a point-to-multipoint (multidrop) standard that allows only one driver and up to 10 receivers (assuming one-unit load devices) on each bus. RS-485 is a true multipoint standard that allows up to 32 one unit load devices (any combination of drivers and receivers) on each bus. To allow for multipoint operation, the RS-485 specification requires that drivers must handle bus contention without sustaining any damage.

An important advantage of RS-485 is the extended Common-Mode Range (CMR) that specifies that the driver outputs and receiver inputs withstand signals that range from +12V to -7V. RS-422 and RS-485 are intended for runs as long as 4000ft, so the wide CMR is necessary to handle ground potential differences and voltages induced in the cable by external fields.

A family of ruggedized RS-485 transceivers, the ISL3243xE devices improve on the RS-485 basic requirements and increase system reliability. The CMR increases to $\pm 15\text{V}$ and the RS-485 bus pins (receiver inputs and driver outputs) include fault protection against voltages and transients up to $\pm 40\text{V}$. Additionally, the $\pm 15\text{kV}$ to $\pm 16.5\text{kV}$ built-in ESD protection complements the fault protection.

Receiver (Rx) Features

The ISL3243xE devices use a differential input receiver for maximum noise immunity and common-mode rejection. Input sensitivity is better than $\pm 200\text{mV}$ (3.3V operation) as required by the RS-422 and RS-485 specifications.

The receiver input (load) current surpasses the RS-422 specification of 3mA and is four times lower than the RS-485 Unit Load (UL) requirement of 1mA maximum; therefore, these products are known as one-quarter UL transceivers. There can be up to 128 of these devices on a network while still complying with the RS-485 loading specification.

The receivers function with common-mode voltages as great as $\pm 15\text{V}$, so they are ideal for industrial or long networks where induced voltages are a realistic concern.

All the receivers include a full fail-safe function that ensures a high-level receiver output if the receiver inputs are unconnected (floating), shorted together, or connected to a terminated bus with all the transmitters disabled (an idle bus).

The receivers easily meet the data rates supported by the corresponding driver, and most receiver outputs are three-statable using the active low $\overline{\text{RE}}$ input.

The Rx in the 250kbps (ISL32430E, ISL32432E, and ISL32437E) and 1Mbps versions (ISL32433E and ISL32435E) include noise filtering circuitry to reject high-frequency signals. The ISL32433E and ISL32435 typically reject pulses narrower than 50ns (equivalent to 20Mbps). The ISL32430E, ISL32432E, and ISL32437E Rx reject pulses below 150ns (6.7Mbps).

Driver (Tx) Features

The RS-485 and RS-422 drivers are differential output devices that deliver at least 1.7V across a 54Ω load (RS-485), and at least 2V across a 100Ω load (RS-422) with $V_{\text{CC}} \geq 4.5\text{V}$. The drivers feature low propagation delay skew to maximize bit width, and to minimize EMI. All drivers are three-statable using the active high DE input.

The 250kbps and 1Mbps driver outputs are slew rate limited to minimize EMI and reflections in unterminated or improperly terminated networks.

High Overvoltage (Fault) Protection Increases Ruggedness

The $\pm 40\text{V}$ fault protection (referenced to the IC GND) on the RS-485 pins makes these transceivers some of the most rugged on the market. This level of protection makes the ISL3243xE family perfect for applications where power (such as 24V supplies) must be routed in the conduit with the data lines or for outdoor applications where large transients are likely to occur. When power is routed with the data lines, even a momentary short between the supply and data lines destroys an unprotected device. The $\pm 40\text{V}$ fault levels of this family are at least three times higher than the levels specified for standard RS-485 ICs. The ISL3243xE's protection is active whether the Tx is enabled or disabled, and even if the IC is powered down or VCC and Ground are floating.

If transients or voltages (including overshoots and ringing) greater than $\pm 50\text{V}$ are possible, additional external protection is required. Use a protection device with the lowest clamping voltage acceptable for the application, and note, TVS type devices typically clamp 5V to 10V above the designated stand-off voltage (such as a "45V TVS" clamps between 50V and 55V).

Wide Common-Mode Voltage (CMV) Tolerance Improves Operating Range

RS-485 networks, operating in industrial complexes or over long distances, are susceptible to large CMV variations. Either of these operating environments can suffer from large node-to-node ground potential differences or CMV pickup from external electromagnetic sources; devices with only the minimum required +12V to -7V CMR can malfunction. The ISL3243xE's extended $\pm 15\text{V}$ CMR allows for operation in environments that would overwhelm lesser transceivers. Additionally, the Rx does not phase invert (erroneously change state) even with CMVs of $\pm 20\text{V}$ or differential voltages as large as 40V.

Cable Invert (Polarity Reversal) Function

Large node count RS-485 networks are commonly wired backwards during installation. When this happens, the node is unable to communicate over the network. When technicians find the miswired node, they must rewire the connector, which is time consuming.

The ISL32437E simplifies this task by including a cable invert pin (INV) that allows the technician to invert the polarity of the Rx input and the Tx output pins simply by moving a jumper to change the state of the invert pin. When the invert pin is low, the IC operates like any standard RS-485 transceiver, and the bus pins have their normal polarity definition of A and Y being noninverting and B and Z being inverting. With the invert pin high, the corresponding bus pins reverse their polarity, so B and Z are now noninverting while A and Y become inverting.

This unique cable invert function is superior to that found on competing devices, because the Rx full fail-safe function is maintained even when the Rx polarity is reversed. Competitor devices implement the Rx invert function simply by inverting the Rx output. Therefore, with the Rx inputs floating or shorted together, the Rx appropriately delivers a logic 1 in normal polarity but outputs a logic low when the IC is operated in the inverted mode. The innovative Renesas Rx design ensures that the Rx output remains high with the Rx inputs floating or shorted together ($V_{ID} = 0V$), regardless of the state of the invert pin.

Data Rate, Cables, and Terminations

RS-485/RS-422 are intended for network lengths up to 4000ft, but the maximum system data rate decreases as the transmission length increases. The ISL32433E and ISL32435E can operate at full data rates of 1Mbps with lengths up to 800ft (244m). Jitter is the limiting parameter at this faster data rate, so employing encoded data streams (such as Manchester coded or Return-to-Zero) can allow increased transmission distances. The ISL32430E, ISL32432E, and ISL32437E can operate at 115kbps or less at the full 4000ft (1220m) distance or at 250kbps for lengths up to 3000ft (915m). DC cable attenuation is the limiting parameter, so using better quality cables (such as 22 AWG) can allow increased transmission distance.

Use a twisted pair cable for RS-485/RS-422 networks. Twisted pair cables tend to pick up noise and other electromagnetically induced voltages as common-mode signals that are effectively rejected by the differential receivers in these ICs.

Short networks using the ISL32430E, ISL32432E, and ISL32437E do not need to be terminated; however, terminations are recommended unless power dissipation is an overriding concern.

In point-to-point or point-to-multipoint networks (single driver on bus like RS-422), terminate the main cable in its characteristic impedance (typically 120 Ω) at the end farthest from the driver. In multi-receiver applications, keep stubs connecting receivers to the main cable as short as possible. Multipoint (multi-driver) systems require that the main cable is terminated in its characteristic impedance at both ends. Keep stubs connecting a transceiver to the main cable as short as possible.

Built-In Driver Overload Protection

The RS-485 specification requires that drivers survive worst case bus contentions undamaged. These transceivers meet this requirement using driver output short-circuit current limits and on-chip thermal shutdown circuitry.

The driver output stages incorporate a double fold-back short-circuit current limiting scheme ensuring that the output current never exceeds the RS-485 specification even at the common-mode and fault-condition voltage range extremes. The first foldback current level ($\approx 83mA$) is set to ensure that the driver never folds back when driving loads with common-mode voltages up to $\pm 15V$. The very low, second foldback current setting ($\approx 13mA$) minimizes power dissipation if the Tx is enabled when a fault occurs.

In the event of a major short-circuit condition, The ISL3243xE's thermal shutdown feature disables the drivers whenever the die temperature becomes excessive. Thermal shutdown eliminates the power dissipation allowing the die to cool. The drivers automatically re-enable after the die temperature drops about $+15^{\circ}C$. If the contention persists, the thermal shutdown/re-enable cycle repeats until the fault is cleared. The receivers stay operational during thermal shutdown.

Low Power Shutdown Mode

These BiCMOS transceivers all use a fraction of the power required by competitive devices, but they (excluding ISL32437E) also include a shutdown feature that reduces the already low quiescent I_{CC} to a 10 μA trickle. The ISL3243xE family enter shutdown whenever the receiver and driver are simultaneously disabled ($RE = V_{CC}$ and $DE = GND$) for a period of at least 600ns. Disabling both the driver and the receiver for less than 60ns ensures that the transceiver does not enter shutdown.

Note that receiver and driver enable times increase when the transceiver enables from shutdown. See [Notes 11](#) through [15](#) on [page 9](#) for more information.

Die Characteristics

SUBSTRATE POTENTIAL (POWERED UP):

GND

PROCESS:

Si Gate BiCMOS

Revision History

The revision history provided is for informational purposes only and is believed to be accurate, but not warranted. Please go to web to make sure you have the latest Rev.

| DATE | REVISION | CHANGE |
|--------------|----------|---|
| Feb 15, 2019 | FN7920.1 | Updated links throughout document. Updated Related Literature section. Updated ordering information table by adding all tape and reel information and updating notes. Updated last sentence in first paragraph in "High Overvoltage (Fault) Protection Increases Ruggedness" on page 15. Removed Products section. Updated disclaimer. |
| Mar 1, 2012 | FN7920.0 | Initial Release |

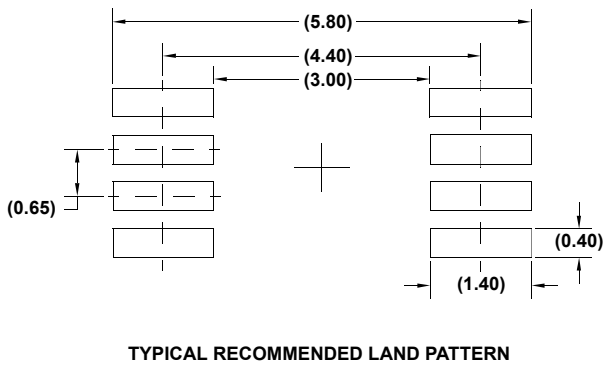
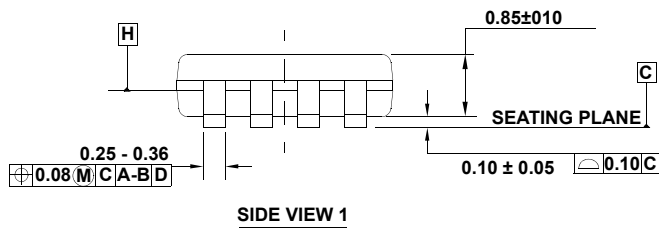
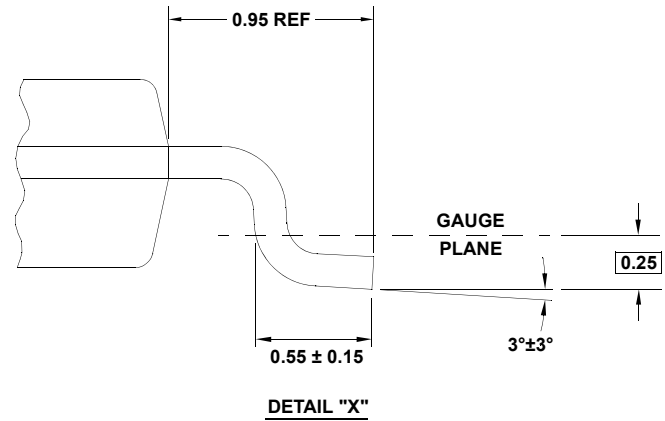
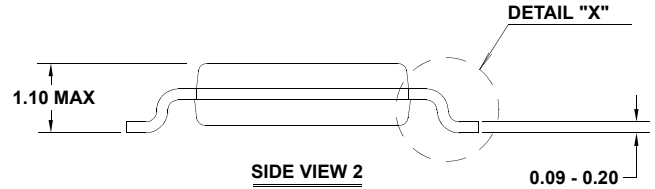
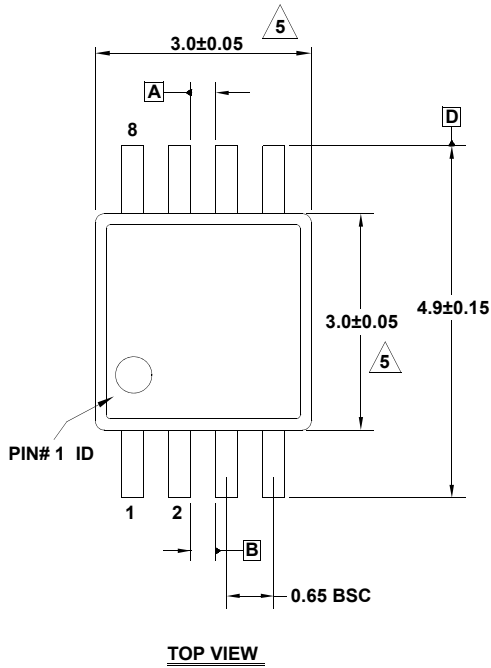
Package Outline Drawings

For the most recent package outline drawing, see [M8.118](#).

M8.118

8 LEAD MINI SMALL OUTLINE PLASTIC PACKAGE

Rev 4, 7/11



NOTES:

1. Dimensions are in millimeters.
2. Dimensioning and tolerancing conform to JEDEC MO-187-AA and AMSEY14.5m-1994.
3. Plastic or metal protrusions of 0.15mm max per side are not included.
4. Plastic interlead protrusions of 0.15mm max per side are not included.

5. Dimensions are measured at Datum Plane "H".

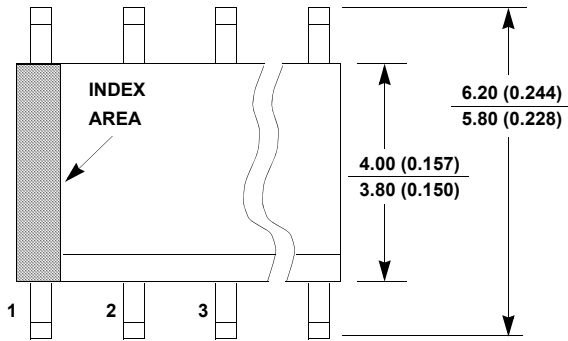
6. Dimensions in () are for reference only.

M8.15

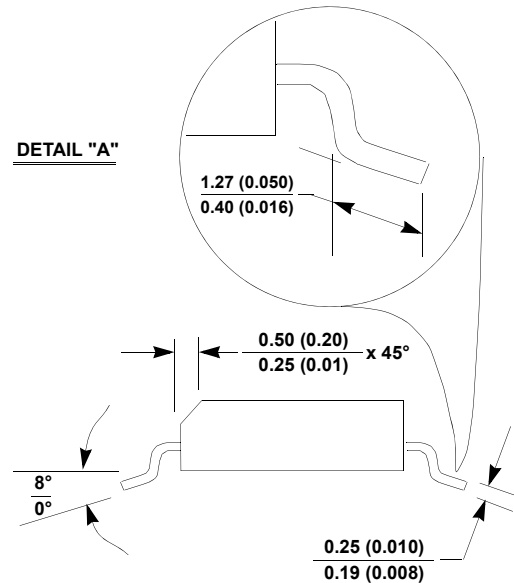
8 LEAD NARROW BODY SMALL OUTLINE PLASTIC PACKAGE

Rev 4, 1/12

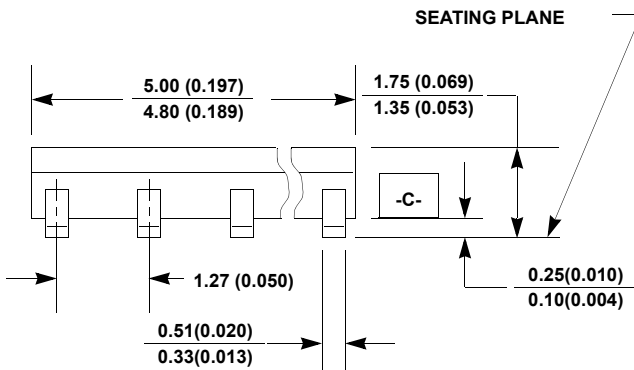
For the most recent package outline drawing, see [M8.15](#).



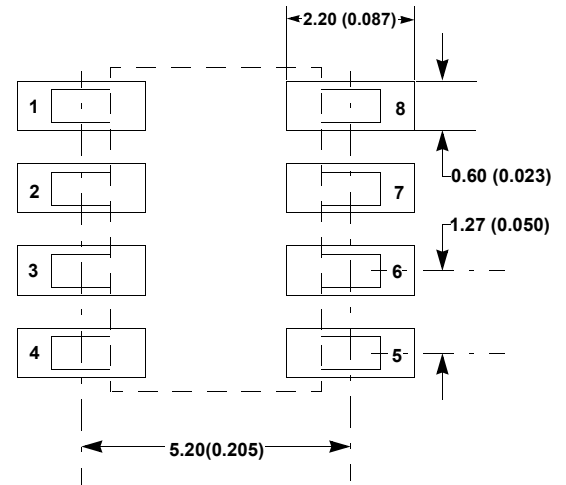
TOP VIEW



SIDE VIEW "B"



SIDE VIEW "A"



TYPICAL RECOMMENDED LAND PATTERN

NOTES:

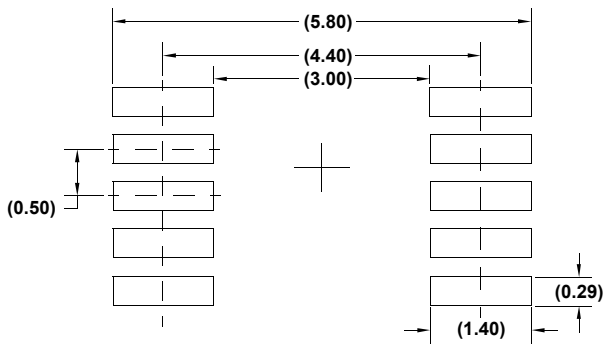
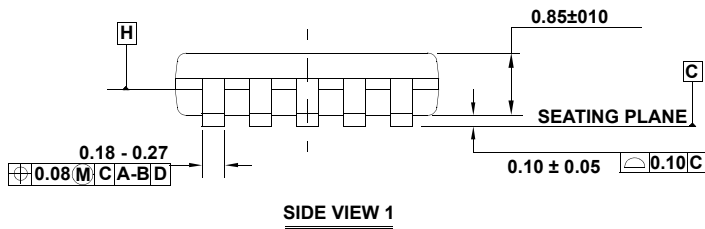
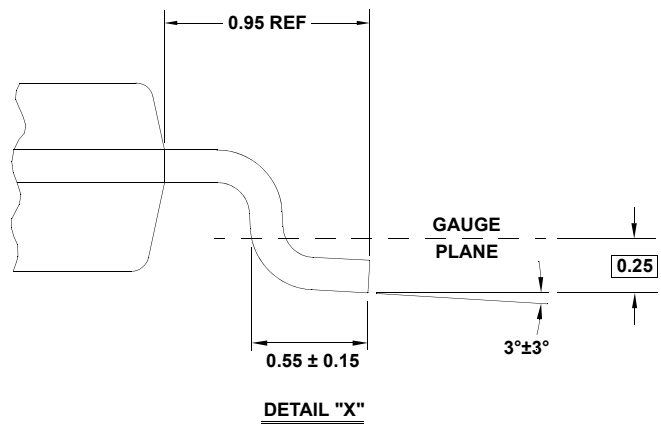
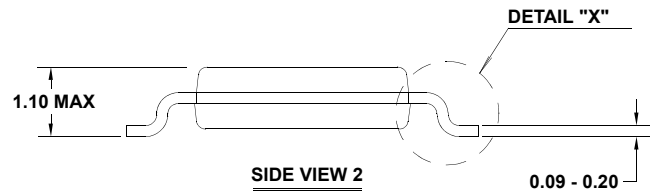
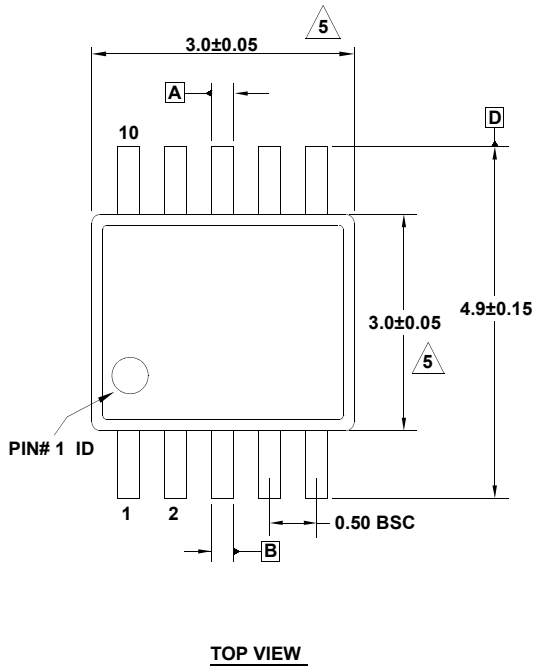
19. Dimensioning and tolerancing per ANSI Y14.5M-1994.
20. Package length does not include mold flash, protrusions or gate burrs. Mold flash, protrusion and gate burrs shall not exceed 0.15mm (0.006 inch) per side.
21. Package width does not include interlead flash or protrusions. Interlead flash and protrusions shall not exceed 0.25mm (0.010 inch) per side.
22. The chamfer on the body is optional. If it is not present, a visual index feature must be located within the crosshatched area.
23. Terminal numbers are shown for reference only.
24. The lead width as measured 0.36mm (0.014 inch) or greater above the seating plane, shall not exceed a maximum value of 0.61mm (0.024 inch).
25. Controlling dimension: MILLIMETER. Converted inch dimensions are not necessarily exact.
26. This outline conforms to JEDEC publication MS-012-AA ISSUE C.

M10.118

10 LEAD MINI SMALL OUTLINE PLASTIC PACKAGE

Rev 1, 4/12

For the most recent package outline drawing, see [M10.118](#).



NOTES:

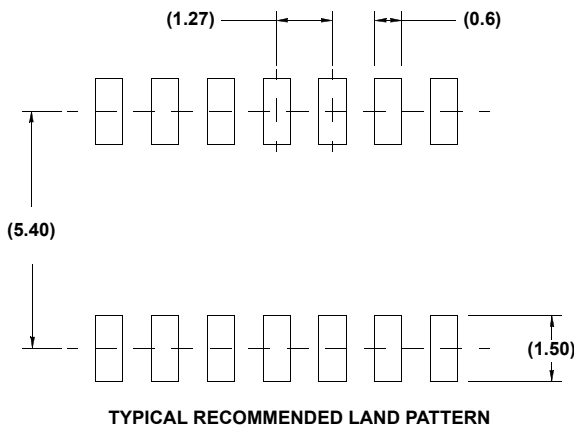
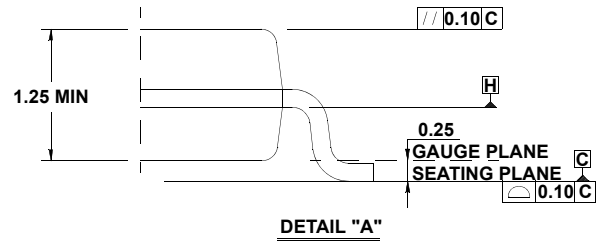
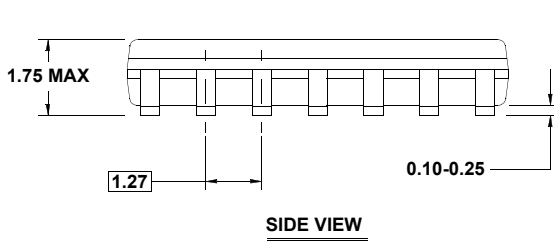
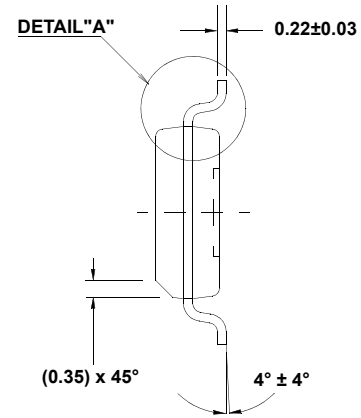
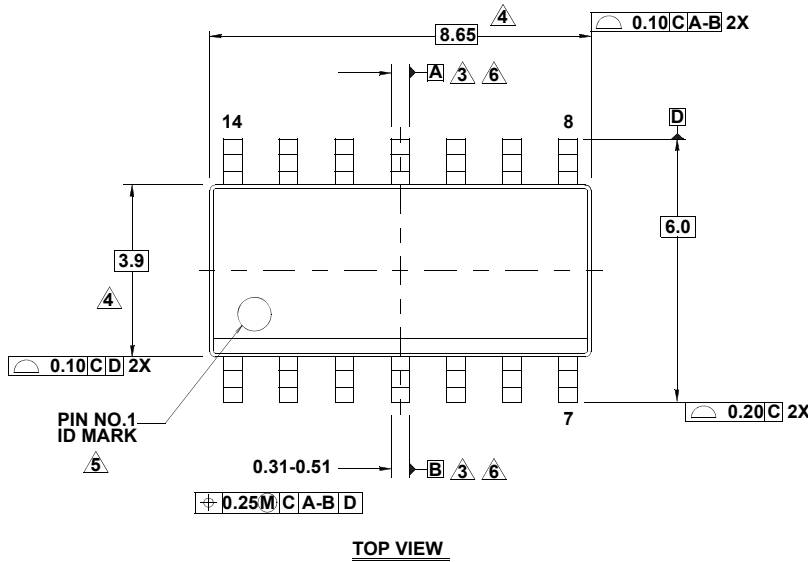
1. Dimensions are in millimeters.
2. Dimensioning and tolerancing conform to JEDEC MO-187-BA and AMSEY14.5m-1994.
3. Plastic or metal protrusions of 0.15mm max per side are not included.
4. Plastic interlead protrusions of 0.15mm max per side are not included.
5. Dimensions are measured at Datum Plane "H".
6. Dimensions in () are for reference only.

M14.15

14 LEAD NARROW BODY SMALL OUTLINE PLASTIC PACKAGE

Rev 1, 10/09

For the most recent package outline drawing, see [M14.15](#).



NOTES:

1. Dimensions are in millimeters.
Dimensions in () for Reference Only.
2. Dimensioning and tolerancing conform to AMSEY14.5m-1994.
3. Datums A and B to be determined at Datum H.
4. Dimension does not include interlead flash or protrusions.
Interlead flash or protrusions shall not exceed 0.25mm per side.
5. The pin #1 identifier may be either a mold or mark feature.
6. Does not include dambar protrusion. Allowable dambar protrusion shall be 0.10mm total in excess of lead width at maximum condition.
7. Reference to JEDEC MS-012-AB.

Notice

1. Descriptions of circuits, software and other related information in this document are provided only to illustrate the operation of semiconductor products and application examples. You are fully responsible for the incorporation or any other use of the circuits, software, and information in the design of your product or system. Renesas Electronics disclaims any and all liability for any losses and damages incurred by you or third parties arising from the use of these circuits, software, or information.
 2. Renesas Electronics hereby expressly disclaims any warranties against and liability for infringement or any other claims involving patents, copyrights, or other intellectual property rights of third parties, by or arising from the use of Renesas Electronics products or technical information described in this document, including but not limited to, the product data, drawings, charts, programs, algorithms, and application examples.
 3. No license, express, implied or otherwise, is granted hereby under any patents, copyrights or other intellectual property rights of Renesas Electronics or others.
 4. You shall not alter, modify, copy, or reverse engineer any Renesas Electronics product, whether in whole or in part. Renesas Electronics disclaims any and all liability for any losses or damages incurred by you or third parties arising from such alteration, modification, copying or reverse engineering.
 5. Renesas Electronics products are classified according to the following two quality grades: "Standard" and "High Quality". The intended applications for each Renesas Electronics product depends on the product's quality grade, as indicated below.
 - "Standard": Computers; office equipment; communications equipment; test and measurement equipment; audio and visual equipment; home electronic appliances; machine tools; personal electronic equipment; industrial robots; etc.
 - "High Quality": Transportation equipment (automobiles, trains, ships, etc.); traffic control (traffic lights); large-scale communication equipment; key financial terminal systems; safety control equipment; etc.Unless expressly designated as a high reliability product or a product for harsh environments in a Renesas Electronics data sheet or other Renesas Electronics document, Renesas Electronics products are not intended or authorized for use in products or systems that may pose a direct threat to human life or bodily injury (artificial life support devices or systems; surgical implantations; etc.), or may cause serious property damage (space system; undersea repeaters; nuclear power control systems; aircraft control systems; key plant systems; military equipment; etc.). Renesas Electronics disclaims any and all liability for any damages or losses incurred by you or any third parties arising from the use of any Renesas Electronics product that is inconsistent with any Renesas Electronics data sheet, user's manual or other Renesas Electronics document.
 6. When using Renesas Electronics products, refer to the latest product information (data sheets, user's manuals, application notes, "General Notes for Handling and Using Semiconductor Devices" in the reliability handbook, etc.), and ensure that usage conditions are within the ranges specified by Renesas Electronics with respect to maximum ratings, operating power supply voltage range, heat dissipation characteristics, installation, etc. Renesas Electronics disclaims any and all liability for any malfunctions, failure or accident arising out of the use of Renesas Electronics products outside of such specified ranges.
 7. Although Renesas Electronics endeavors to improve the quality and reliability of Renesas Electronics products, semiconductor products have specific characteristics, such as the occurrence of failure at a certain rate and malfunctions under certain use conditions. Unless designated as a high reliability product or a product for harsh environments in a Renesas Electronics data sheet or other Renesas Electronics document, Renesas Electronics products are not subject to radiation resistance design. You are responsible for implementing safety measures to guard against the possibility of bodily injury, injury or damage caused by fire, and/or danger to the public in the event of a failure or malfunction of Renesas Electronics products, such as safety design for hardware and software, including but not limited to redundancy, fire control and malfunction prevention, appropriate treatment for aging degradation or any other appropriate measures. Because the evaluation of microcomputer software alone is very difficult and impractical, you are responsible for evaluating the safety of the final products or systems manufactured by you.
 8. Please contact a Renesas Electronics sales office for details as to environmental matters such as the environmental compatibility of each Renesas Electronics product. You are responsible for carefully and sufficiently investigating applicable laws and regulations that regulate the inclusion or use of controlled substances, including without limitation, the EU RoHS Directive, and using Renesas Electronics products in compliance with all these applicable laws and regulations. Renesas Electronics disclaims any and all liability for damages or losses occurring as a result of your noncompliance with applicable laws and regulations.
 9. Renesas Electronics products and technologies shall not be used for or incorporated into any products or systems whose manufacture, use, or sale is prohibited under any applicable domestic or foreign laws or regulations. You shall comply with any applicable export control laws and regulations promulgated and administered by the governments of any countries asserting jurisdiction over the parties or transactions.
 10. It is the responsibility of the buyer or distributor of Renesas Electronics products, or any other party who distributes, disposes of, or otherwise sells or transfers the product to a third party, to notify such third party in advance of the contents and conditions set forth in this document.
 11. This document shall not be reprinted, reproduced or duplicated in any form, in whole or in part, without prior written consent of Renesas Electronics.
 12. Please contact a Renesas Electronics sales office if you have any questions regarding the information contained in this document or Renesas Electronics products.
- (Note1) "Renesas Electronics" as used in this document means Renesas Electronics Corporation and also includes its directly or indirectly controlled subsidiaries.
- (Note2) "Renesas Electronics product(s)" means any product developed or manufactured by or for Renesas Electronics.

(Rev.4.0-1 November 2017)

Corporate Headquarters

TOYOSU FORESIA, 3-2-24 Toyosu,
Koto-ku, Tokyo 135-0061, Japan
www.renesas.com

Contact Information


For further information on a product, technology, the most up-to-date version of a document, or your nearest sales office, please visit:
www.renesas.com/contact/

Trademarks

Renesas and the Renesas logo are trademarks of Renesas Electronics Corporation. All trademarks and registered trademarks are the property of their respective owners.

Looking for pricing, stock, or lifecycle information?

Click below to explore more details on WIN SOURCE:

-  [View ISL32433EIUZ-T7A on WIN SOURCE](#)
-  [Renesas Electronics America](#) Information

Optimize Your Supply Chain with WIN SOURCE Solutions

-  Global Sourcing Solution
-  Obsolete Management
-  Cost Control Management
-  Shortage Management
-  Alternative Solution
-  Excess Inventory Management