



**THE DATASHEET OF  
DG408DYZ-T**



## DG408, DG409

Single 8-Channel/Differential 4-Channel, CMOS Analog Multiplexers

FN3283  
Rev 8.00  
Jun 13, 2006

The DG408 Single 8-Channel, and DG409 Differential 4-Channel monolithic CMOS analog multiplexers are drop-in replacements for the popular DG508A and DG509A series devices. They each include an array of eight analog switches, a TTL/CMOS compatible digital decode circuit for channel selection, a voltage reference for logic thresholds and an ENABLE input for device selection when several multiplexers are present.

The DG408 and DG409 feature lower signal ON resistance (<100Ω) and faster switch transition time ( $t_{\text{TRANS}} < 250\text{ns}$ ) compared to the DG508A or DG509A. Charge injection has been reduced, simplifying sample and hold applications. The improvements in the DG408 series are made possible by using a high-voltage silicon-gate process. An epitaxial layer prevents the latch-up associated with older CMOS technologies. Power supplies may be single-ended from +5V to +34V, or split from ±5V to ±20V.

The analog switches are bilateral, equally matched for AC or bidirectional signals. The ON resistance variation with analog signals is quite low over a ±5V analog input range.

### Features

- ON Resistance (Max, 25°C) . . . . . 100Ω
- Low Power Consumption ( $P_D$ ) . . . . . <11mW
- Fast Switching Action
  - $t_{\text{TRANS}}$  . . . . . <250ns
  - $t_{\text{ON/OFF(EN)}}$  . . . . . <150ns
- Low Charge Injection
- Upgrade from DG508A/DG509A
- TTL, CMOS Compatible
- Single or Split Supply Operation
- Pb-Free Plus Anneal Available (RoHS Compliant)

### Applications

- Data Acquisition Systems
- Audio Switching Systems
- Automatic Testers
- Hi-Rel Systems
- Sample and Hold Circuits
- Communication Systems
- Analog Selector Switch

### Ordering Information

| PART NUMBER      | PART MARKING | TEMP. RANGE (°C) | PACKAGE                | PKG. DWG. # |
|------------------|--------------|------------------|------------------------|-------------|
| DG408DJ          | DG408DJ      | -40 to 85        | 16 Ld PDIP             | E16.3       |
| DG408DJZ (Note)  | DG408DJZ     | -40 to 85        | 16 Ld PDIP** (Pb-free) | E16.3       |
| DG408DY*         | DG408DY      | -40 to 85        | 16 Ld SOIC             | M16.15      |
| DG408DYZ* (Note) | DG408DYZ     | -40 to 85        | 16 Ld SOIC (Pb-free)   | M16.15      |
| DG408DVZ* (Note) | DG408DVZ     | -40 to 85        | 16 Ld TSSOP (Pb-free)  | M16.173     |
| DG409DJ          | DG409DJ      | -40 to 85        | 16 Ld PDIP             | E16.3       |
| DG409DJZ (Note)  | DG409DJZ     | -40 to 85        | 16 Ld PDIP** (Pb-free) | E16.3       |
| DG409DY*         | DG409DY      | -40 to 85        | 16 Ld SOIC             | M16.15      |
| DG409DYZ* (Note) | DG409DYZ     | -40 to 85        | 16 Ld SOIC (Pb-free)   | M16.15      |
| DG409DVZ* (Note) | DG409DVZ     | -40 to 85        | 16 Ld TSSOP (Pb-free)  | M16.173     |

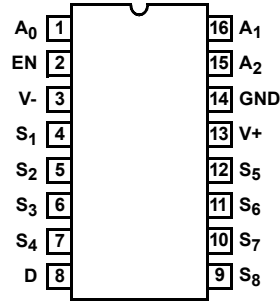
\*Add "-T" suffix for tape and reel.

\*\*Pb-free PDIPs can be used for through hole wave solder processing only. They are not intended for use in Reflow solder processing applications.

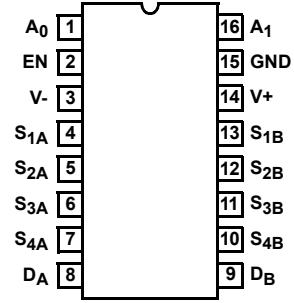
NOTE: Intersil Pb-free plus anneal products employ special Pb-free material sets; molding compounds/die attach materials and 100% matte tin plate termination finish, which are RoHS compliant and compatible with both SnPb and Pb-free soldering operations. Intersil Pb-free products are MSL classified at Pb-free peak reflow temperatures that meet or exceed the Pb-free requirements of IPC/JEDEC J STD-020.

**Pinouts**

**DG408 (PDIP, SOIC, TSSOP)**  
TOP VIEW

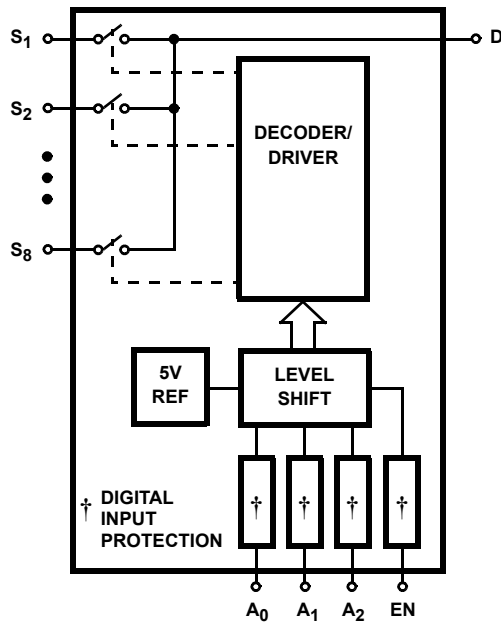


**DG409 (PDIP, SOIC, TSSOP)**  
TOP VIEW

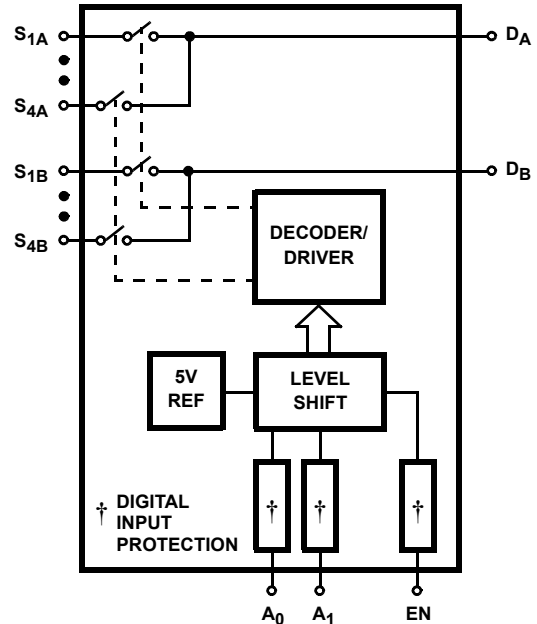


**Functional Block Diagrams**

DG408



DG409



TRUTH TABLE DG408

| A <sub>2</sub> | A <sub>1</sub> | A <sub>0</sub> | EN | ON SWITCH |
|----------------|----------------|----------------|----|-----------|
| X              | X              | X              | 0  | NONE      |
| 0              | 0              | 0              | 1  | 1         |
| 0              | 0              | 1              | 1  | 2         |
| 0              | 1              | 0              | 1  | 3         |
| 0              | 1              | 1              | 1  | 4         |
| 1              | 0              | 0              | 1  | 5         |
| 1              | 0              | 1              | 1  | 6         |
| 1              | 1              | 0              | 1  | 7         |
| 1              | 1              | 1              | 1  | 8         |

TRUTH TABLE DG409

| A <sub>1</sub> | A <sub>0</sub> | EN | ON SWITCH |
|----------------|----------------|----|-----------|
| X              | X              | 0  | NONE      |
| 0              | 0              | 1  | 1         |
| 0              | 1              | 1  | 2         |
| 1              | 0              | 1  | 3         |
| 1              | 1              | 1  | 4         |

NOTES:

1. V<sub>AH</sub> Logic "1" ≥ 2.4V.
2. V<sub>AL</sub> Logic "0" ≤ 0.8V.

**Pin Descriptions - (DG408)**

| PIN | SYMBOL         | DESCRIPTION                                |
|-----|----------------|--|
| 1   | A <sub>0</sub> | Logic Decode Input (Bit 0, LSB)            |
| 2   | EN             | Enable Input                               |
| 3   | V-             | Negative Power Supply Terminal             |
| 4   | S <sub>1</sub> | Source (Input) for Channel 1               |
| 5   | S <sub>2</sub> | Source (Input) for Channel 2               |
| 6   | S <sub>3</sub> | Source (Input) for Channel 3               |
| 7   | S <sub>4</sub> | Source (Input) for Channel 4               |
| 8   | D              | Drain (Output)                             |
| 9   | S <sub>8</sub> | Source (Input) for Channel 8               |
| 10  | S <sub>7</sub> | Source (Input) for Channel 7               |
| 11  | S <sub>6</sub> | Source (Input) for Channel 6               |
| 12  | S <sub>5</sub> | Source (Input) for Channel 5               |
| 13  | V+             | Positive Power Supply Terminal (Substrate) |
| 14  | GND            | Ground Terminal (Logic Common)             |
| 15  | A <sub>2</sub> | Logic Decode Input (Bit 2, MSB)            |
| 16  | A <sub>1</sub> | Logic Decode Input (Bit 1)                 |

**Pin Descriptions - (DG409)**

| PIN | SYMBOL          | DESCRIPTION                     |
|-----|-----------------|---------------------------------|
| 1   | A <sub>0</sub>  | Logic Decode Input (Bit 0, LSB) |
| 2   | EN              | Enable Input                    |
| 3   | V-              | Negative Power Supply Terminal  |
| 4   | S <sub>1A</sub> | Source (Input) for Channel 1a   |
| 5   | S <sub>2A</sub> | Source (Input) for Channel 2a   |
| 6   | S <sub>3A</sub> | Source (Input) for Channel 3a   |
| 7   | S <sub>4A</sub> | Source (Input) for Channel 4a   |
| 8   | D <sub>A</sub>  | Drain a (Output a)              |
| 9   | D <sub>B</sub>  | Drain b (Output b)              |
| 10  | S <sub>4B</sub> | Source (Input) for Channel 4b   |
| 11  | S <sub>3B</sub> | Source (Input) for Channel 3b   |
| 12  | S <sub>2B</sub> | Source (Input) for Channel 2b   |
| 13  | S <sub>1B</sub> | Source (Input) for Channel 1b   |
| 14  | V+              | Positive Power Supply Terminal  |
| 15  | GND             | Ground Terminal (Logic Common)  |
| 16  | A <sub>1</sub>  | Logic Decode Input (Bit 1, MSB) |

**Absolute Maximum Ratings**

|  |  |
|--|--|
| V+ to V-   | 44.0V  |
| GND to V-  | .25V   |
| Digital Inputs, V <sub>S</sub> , V <sub>D</sub> (Note 3) | (V-) -2V to (V+) + 2V or 20mA,<br>Whichever Occurs First |
| Continuous Current (Any Terminal)                        | 30mA   |
| Peak Current, S or D (Pulsed 1ms, 10% Duty Cycle Max)    | 100mA  |

**Operating Conditions**

|                   |               |
|-------------------|---------------|
| Temperature Range | -40°C to 85°C |
|-------------------|---------------|

**Thermal Information**

|  |  |
|--|--|
| Thermal Resistance (Typical, Note 4)     | $\theta_{JA}$ (°C/W)                       |
| PDIP Package                             | 90   |
| SOIC Package                             | 110  |
| TSSOP Package                            | 150  |
| Maximum Junction Temperature             | 150°C                                      |
| Maximum Storage Temperature Range        | -65°C to 125°C                             |
| Maximum Lead Temperature (Soldering 10s) | 300°C<br>(SOIC and TSSOP - Lead Tips Only) |

CAUTION: Stresses above those listed in "Absolute Maximum Ratings" may cause permanent damage to the device. This is a stress only rating and operation of the device at these or any other conditions above those indicated in the operational sections of this specification is not implied.

NOTES:

3. Signals on S<sub>X</sub>, D<sub>X</sub>, EN or A<sub>X</sub> exceeding V+ or V- are clamped by internal diodes. Limit diode current to maximum current ratings.
4.  $\theta_{JA}$  is measured with the component mounted on an evaluation PC board in free air.

**Electrical Specifications** Test Conditions: V+ = +15V, V- = -15V, V<sub>AL</sub> = 0.8V, V<sub>AH</sub> = 2.4V, Unless Otherwise Specified

| PARAMETER  | TEST CONDITIONS   | TEMP (°C) | (NOTE 5)<br>MIN | (NOTE 6)<br>TYP | (NOTE 5)<br>MAX | UNITS    |    |
|--|---|-----------|-----------------|-----------------|-----------------|----------|----|
| <b>DYNAMIC CHARACTERISTICS</b>   |   |           |                 |                 |                 |          |    |
| Transition Time, t <sub>TRANS</sub>  | (See Figure 1)  | Full      | -               | 160             | 250             | ns       |    |
| Break-Before-Make Interval, t <sub>OPEN</sub>                                  | (See Figure 3)  | 25        | 10              | -               | -               | ns       |    |
| Enable Turn-ON Time, t <sub>ON(EN)</sub>                                       | (See Figure 2)  | 25        | -               | 115             | 150             | ns       |    |
|  |   | Full      | -               | -               | 225             | ns       |    |
| Enable Turn-OFF Time, t <sub>OFF(EN)</sub>                                     | (See Figure 2)  | Full      | -               | 105             | 150             | ns       |    |
| Charge Injection, Q  | C <sub>L</sub> = 10nF, V <sub>S</sub> = 0V  | 25        | -               | 20              | -               | pC       |    |
| OFF Isolation  | V <sub>EN</sub> = 0V, R <sub>L</sub> = 1k $\Omega$ ,<br>f = 100kHz (Note 9)       | 25        | -               | -75             | -               | dB       |    |
| Logic Input Capacitance, C <sub>IN</sub>                                       | f = 1MHz  | 25        | -               | 8               | -               | pF       |    |
| Source OFF Capacitance, C <sub>S(OFF)</sub>                                    | V <sub>EN</sub> = 0V, V <sub>S</sub> = 0V,<br>f = 1MHz                            | 25        | -               | 3               | -               | pF       |    |
| Drain OFF Capacitance, C <sub>D(OFF)</sub>                                     | V <sub>EN</sub> = 0V, V <sub>D</sub> = 0V,<br>f = 1MHz                            | DG408     | 25              | -               | 26              | -        | pF |
|  |   | DG409     | 25              | -               | 14              | -        | pF |
| Drain ON Capacitance, C <sub>D(ON)</sub>                                       | V <sub>EN</sub> = 3V, V <sub>D</sub> = 0V,<br>f = 1MHz, V <sub>A</sub> = 0V or 3V | DG408     | 25              | -               | 37              | -        | pF |
|  |   | DG409     | 25              | -               | 25              | -        | pF |
| <b>DIGITAL INPUT CHARACTERISTICS</b>   |   |           |                 |                 |                 |          |    |
| Logic Input Current,<br>Input Voltage High, I <sub>AH</sub>                    | V <sub>A</sub> = 2.4V, 15V  | Full      | -10             | -               | 10              | $\mu$ A  |    |
| Logic Input Current,<br>Input Voltage Low, I <sub>AL</sub>                     | V <sub>EN</sub> = 0V, 2.4V,<br>V <sub>A</sub> = 0V                                | Full      | -10             | -               | 10              | $\mu$ A  |    |
| <b>ANALOG SWITCH CHARACTERISTICS</b>   |   |           |                 |                 |                 |          |    |
| Analog Signal Range, V <sub>ANALOG</sub>                                       |   | Full      | -15             | -               | 15              | V        |    |
| Drain-Source ON Resistance,<br>r <sub>DS(ON)</sub>                             | V <sub>D</sub> = $\pm$ 10V, I <sub>S</sub> = -10mA<br>(Note 7)                    | 25        | -               | 40              | 100             | $\Omega$ |    |
|  |   | Full      | -               | -               | 125             | $\Omega$ |    |
| r <sub>DS(ON)</sub> Matching Between Channels,<br>$\Delta$ r <sub>DS(ON)</sub> | V <sub>D</sub> = 10V, -10V (Note 8)   | 25        | -               | -               | 15              | $\Omega$ |    |
| Source OFF Leakage Current, I <sub>S(OFF)</sub>                                | V <sub>EN</sub> = 0V, V <sub>S</sub> = $\pm$ 10V,<br>V <sub>D</sub> = +10V        | 25        | -0.5            | -               | 0.5             | nA       |    |
|  |   | Full      | -5              | -               | 5               | nA       |    |

**Electrical Specifications** Test Conditions:  $V_+ = +15V$ ,  $V_- = -15V$ ,  $V_{AL} = 0.8V$ ,  $V_{AH} = 2.4V$ , Unless Otherwise Specified (Continued)

| PARAMETER  | TEST CONDITIONS                                   | TEMP (°C) | (NOTE 5)<br>MIN | (NOTE 6)<br>TYP | (NOTE 5)<br>MAX | UNITS   |    |
|--|---|-----------|-----------------|-----------------|-----------------|---------|----|
| Drain OFF Leakage Current, $I_{D(OFF)}$<br>DG408 | $V_{EN} = 0V$ , $V_D = \pm 10V$ ,<br>$V_S = +10V$ | 25        | -1              | -               | 1               | nA      |    |
|  |   | Full      | -20             | -               | 20              | nA      |    |
|  |   | DG409     | 25              | -1              | -               | 1       | nA |
|  |   |           | Full            | -10             | -               | 10      | nA |
| Drain ON Leakage Current, $I_{D(ON)}$<br>DG408   | $V_S = V_D = \pm 10V$ (Note 7)                    | 25        | -1              | -               | 1               | nA      |    |
|  |   | Full      | -20             | -               | 20              | nA      |    |
|  |   | DG409     | 25              | -1              | -               | 1       | nA |
|  |   |           | Full            | -10             | -               | 10      | nA |
| <b>POWER SUPPLY CHARACTERISTICS</b>              |   |           |                 |                 |                 |         |    |
| Positive Supply Current, $I_+$                   | $V_{EN} = 0V$ , $V_A = 0V$ (Standby)              | Full      | -               | 10              | 75              | $\mu A$ |    |
| Negative Supply Current, $I_-$                   |   | Full      | -75             | 1               | -               | $\mu A$ |    |
| Positive Supply Current, $I_+$                   | $V_{EN} = 2.4V$ , $V_A = 0V$<br>(Enabled)         | 25        | -               | 0.2             | 0.5             | mA      |    |
|  |   | Full      | -               | -               | 2               | mA      |    |
| Negative Supply Current, $I_-$                   |   | Full      | -500            | -               | -               | $\mu A$ |    |

**Electrical Specifications** Single Supply Test Conditions:  $V_+ = 12V$ ,  $V_- = 0V$ ,  $V_{AL} = 0.8V$ ,  $V_{AH} = 2.4V$ , Unless Otherwise Specified

| PARAMETER                                  | TEST CONDITION   | TEMP (°C) | (NOTE 5)<br>MIN | (NOTE 6)<br>TYP | (NOTE 5)<br>MAX | UNITS    |
|--|--|-----------|-----------------|-----------------|-----------------|----------|
| <b>DYNAMIC CHARACTERISTICS</b>             |  |           |                 |                 |                 |          |
| Switching Time of Multiplexer, $t_{TRANS}$ | $V_{S1} = 8V$ , $V_{S8} = 0V$ , $V_{IN} = 2.4V$        | 25        | -               | 180             | -               | ns       |
| Enable Turn-ON Time, $t_{ON(EN)}$          | $V_{INH} = 2.4V$ , $V_{INL} = 0V$ ,<br>$V_{S1} = 5V$   | 25        | -               | 180             | -               | ns       |
| Enable Turn-OFF Time, $t_{OFF(EN)}$        |  | 25        | -               | 120             | -               | ns       |
| Charge Injection, $Q$                      | $C_L = 10nF$ , $V_{GEN} = 0V$ ,<br>$R_{GEN} = 0\Omega$ | 25        | -               | 5               | -               | pC       |
| <b>ANALOG SWITCH CHARACTERISTICS</b>       |  |           |                 |                 |                 |          |
| Analog Signal Range, $V_{ANALOG}$          |  | Full      | 0               | -               | 12              | V        |
| Drain-Source ON-Resistance, $r_{DS(ON)}$   | $V_D = 3V$ , $10V$ , $I_S = -1mA$<br>(Note 7)          | 25        | -               | 90              | -               | $\Omega$ |

NOTES:

- The algebraic convention whereby the most negative value is a minimum and the most positive a maximum, is used in this data sheet.
- Typical values are for DESIGN AID ONLY, not guaranteed nor production tested.
- Sequence each switch ON.
- $\Delta r_{DS(ON)} = r_{DS(ON)} (Max) - r_{DS(ON)} (Min)$ .
- Worst case isolation occurs on channel 4 due to proximity to the drain pin.

**Test Circuits and Waveforms**

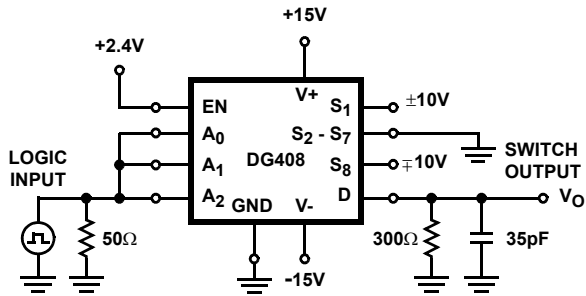


FIGURE 1A. DG408 TEST CIRCUIT

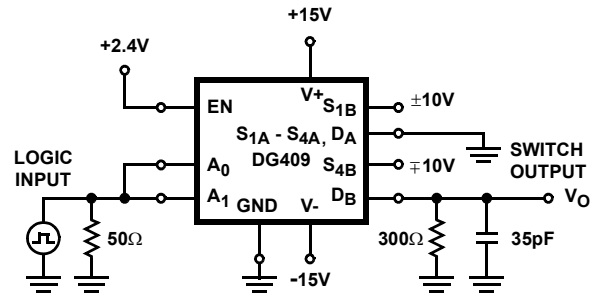


FIGURE 1B. DG409 TEST CIRCUIT

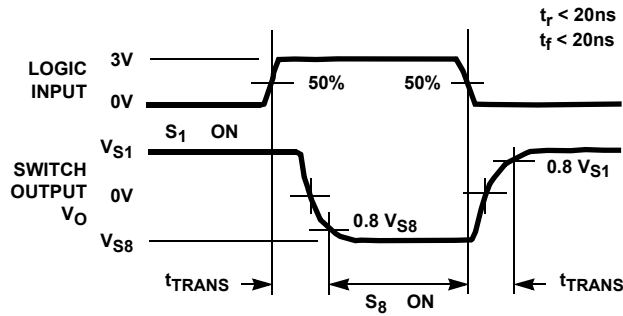


FIGURE 1C. MEASUREMENT POINTS

FIGURE 1. TRANSITION TIME

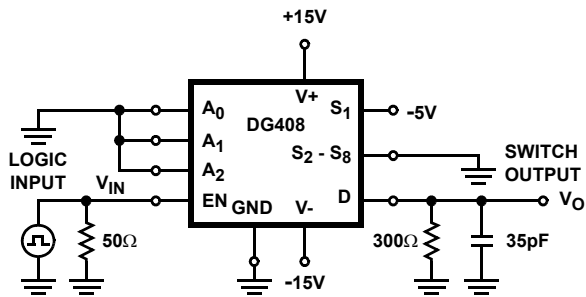


FIGURE 2A. DG408 TEST CIRCUIT

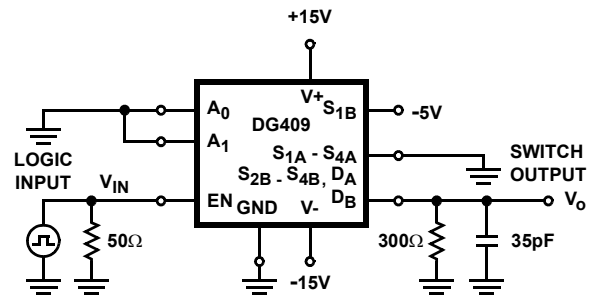


FIGURE 2B. DG409 TEST CIRCUIT

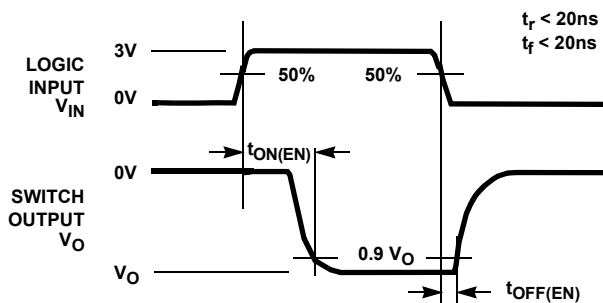


FIGURE 2C. MEASUREMENT POINTS

FIGURE 2. ENABLE SWITCHING TIMES

**Test Circuits and Waveforms** (Continued)

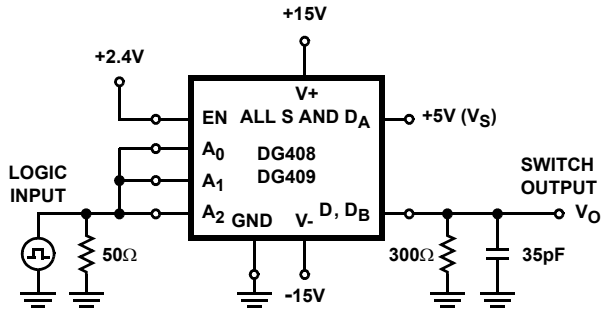


FIGURE 3A. TEST CIRCUIT

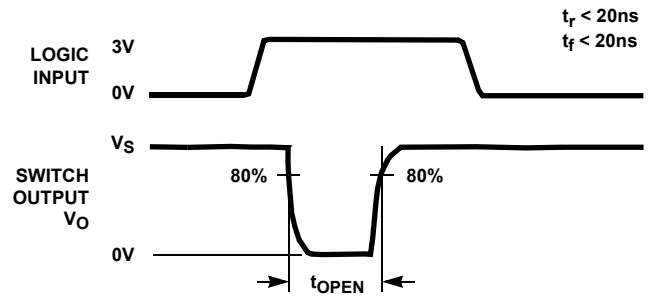


FIGURE 3B. MEASUREMENT POINTS

FIGURE 3. BREAK-BEFORE-MAKE INTERVAL

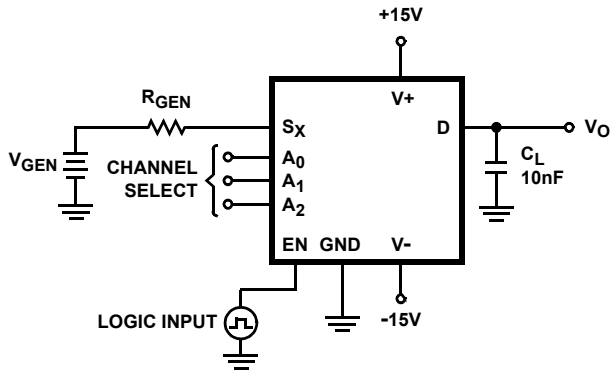
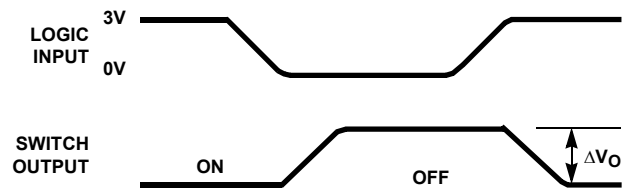


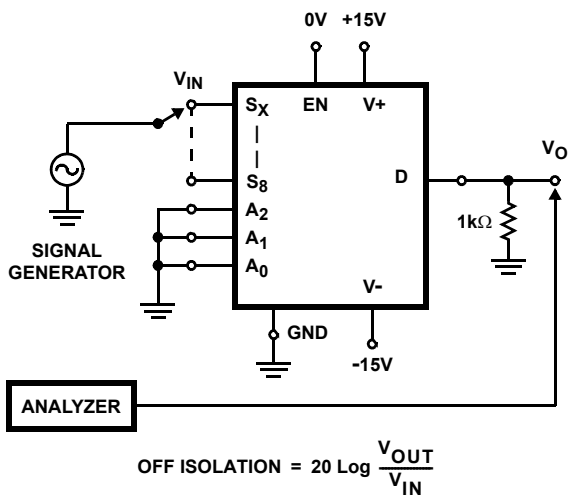
FIGURE 4A. TEST CIRCUIT



$\Delta V_O$  IS THE MEASURED VOLTAGE DUE TO CHARGE TRANSFER ERROR, Q  
 $Q = C_L \times \Delta V_O$

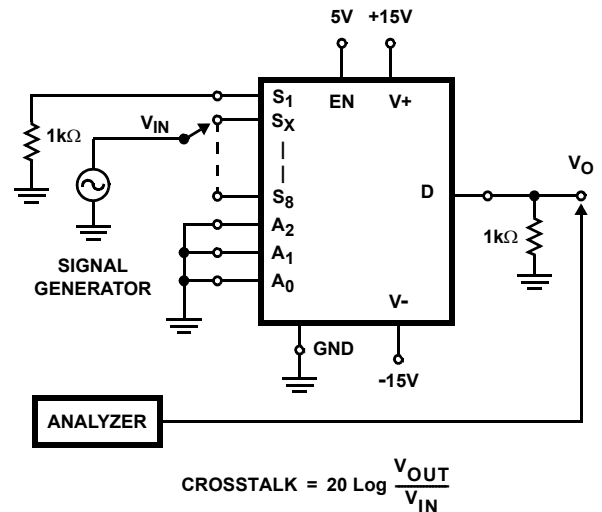
FIGURE 4B. MEASUREMENT POINTS

FIGURE 4. CHARGE INJECTION



$$\text{OFF ISOLATION} = 20 \text{ Log } \frac{V_{OUT}}{V_{IN}}$$

FIGURE 5. OFF ISOLATION



$$\text{CROSSTALK} = 20 \text{ Log } \frac{V_{OUT}}{V_{IN}}$$

FIGURE 6. CROSSTALK

**Test Circuits and Waveforms** (Continued)

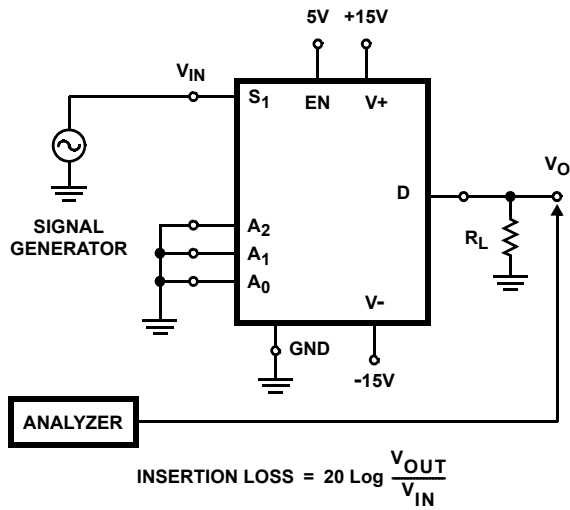


FIGURE 7. INSERTION LOSS

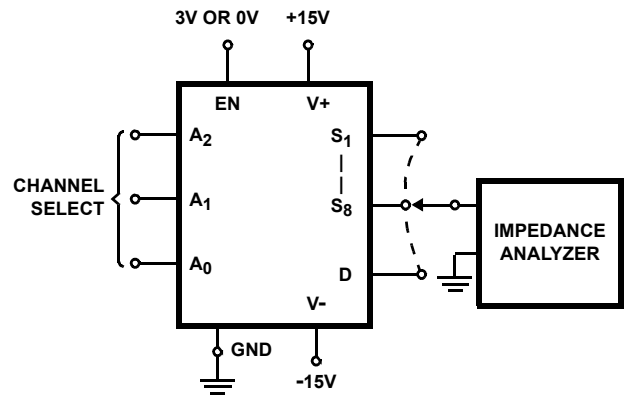


FIGURE 8. SOURCE/DRAIN CAPACITANCES

**Typical Applications**

**Overvoltage Protection**

A very convenient form of overvoltage protection consists of adding two small signal diodes (1N4148, 1N914 type) in series with the supply pins (see Figure 9). This arrangement effectively blocks the flow of reverse currents. It also floats the supply pin above or below the normal V+ or V- value. In this case the overvoltage signal actually becomes the power supply of the IC. From the point of view of the chip, nothing has changed, as long as the difference V+ - (V-) doesn't exceed 44V. The addition of these diodes will reduce the analog signal range to 1V below V+ and 1V above V-, but it preserves the low channel resistance and low leakage characteristics.

Typical application information is for Design Aid Only, not guaranteed and not subject to production testing.

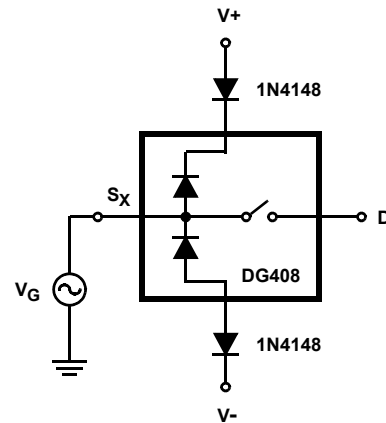


FIGURE 9. OVERVOLTAGE PROTECTION USING BLOCKING DIODES

### Typical Performance Curves

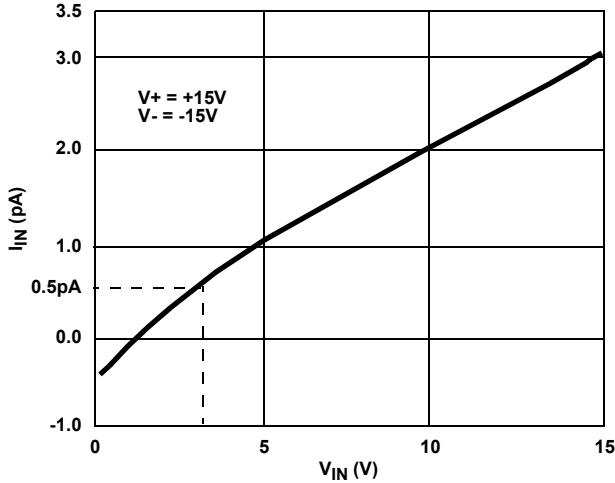


FIGURE 10. INPUT LOGIC CURRENT vs LOGIC INPUT VOLTAGE

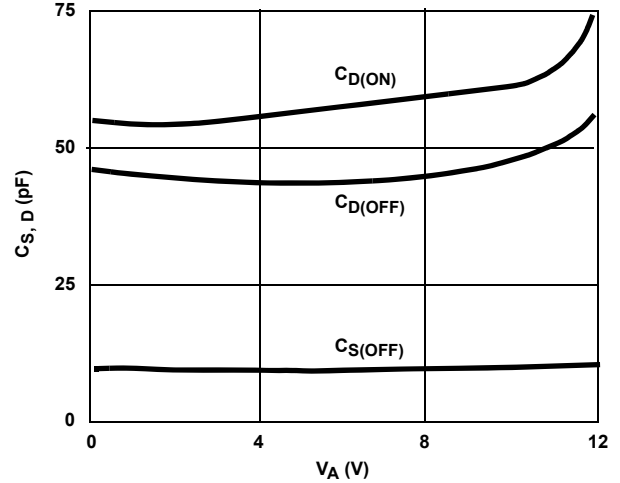


FIGURE 11. SOURCE/DRAIN CAPACITANCE vs ANALOG VOLTAGE (SINGLE 12V SUPPLY)

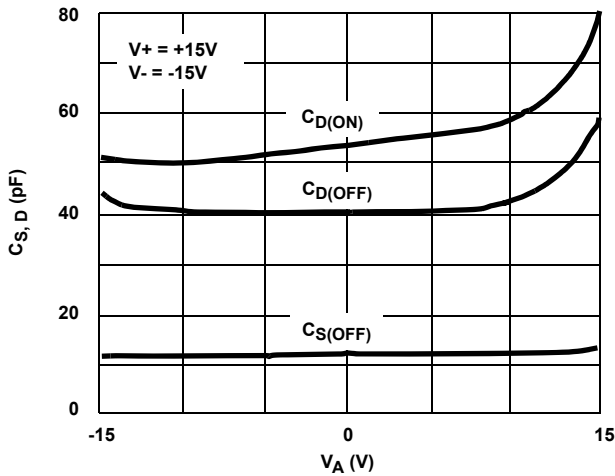


FIGURE 12. SOURCE/DRAIN CAPACITANCE vs ANALOG VOLTAGE

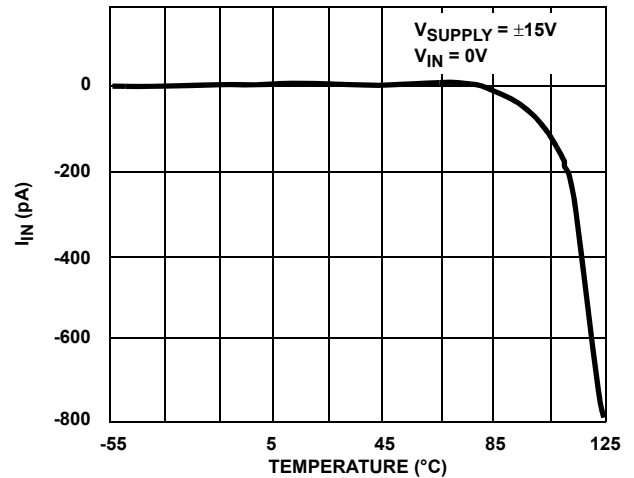


FIGURE 13. LOGIC INPUT CURRENT vs TEMPERATURE

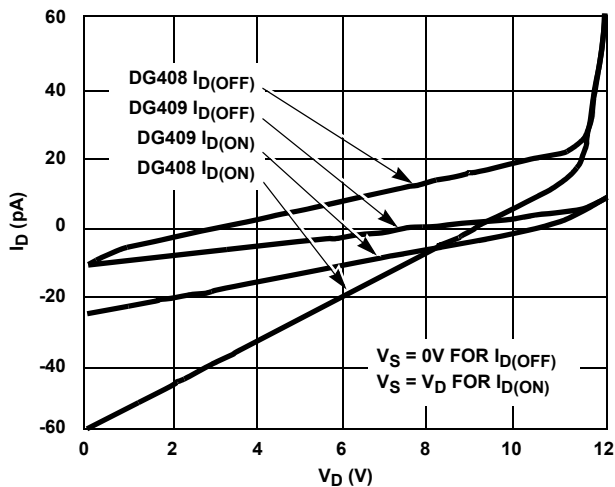


FIGURE 14. DRAIN LEAKAGE CURRENT vs SOURCE/DRAIN VOLTAGE (SINGLE 12V SUPPLY)

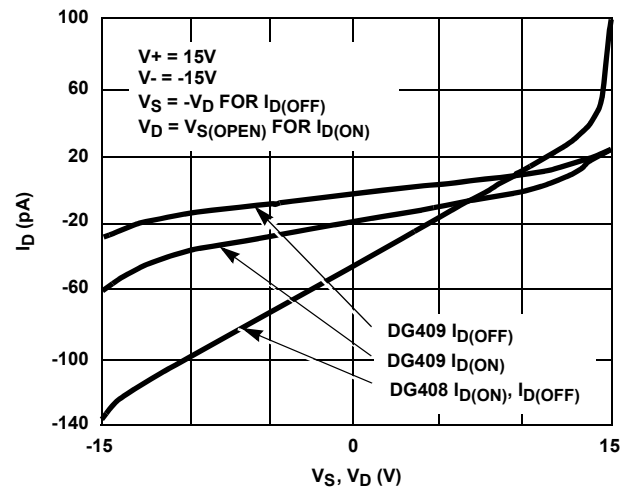
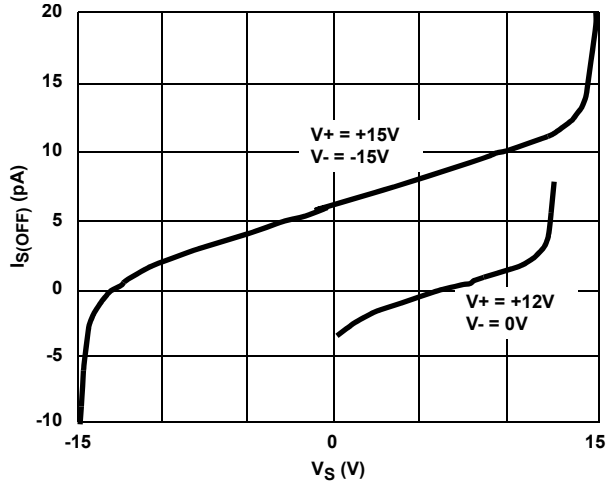
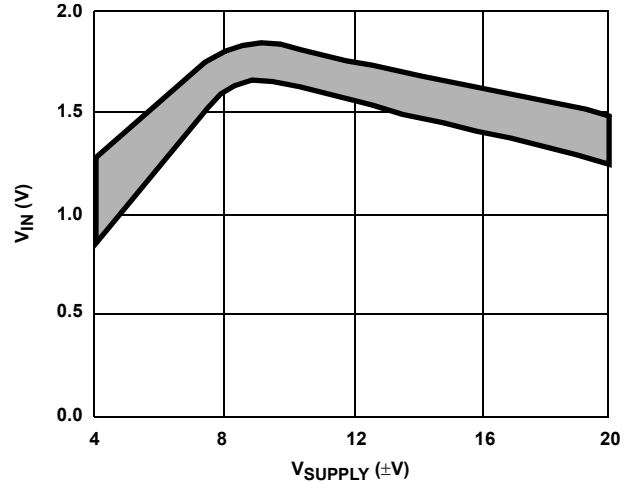


FIGURE 15. DRAIN LEAKAGE CURRENT vs SOURCE/DRAIN VOLTAGE

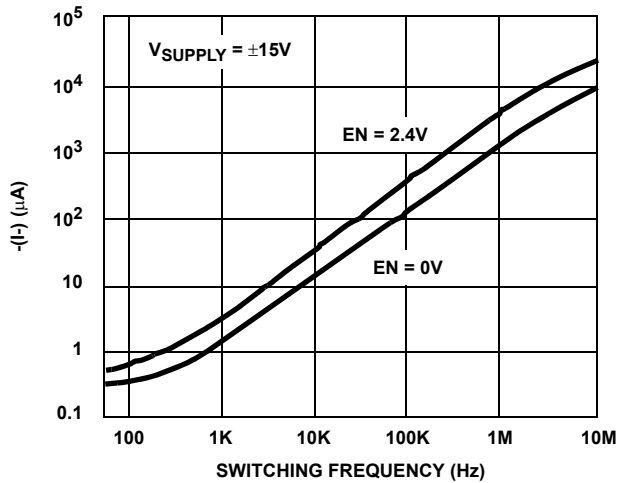
**Typical Performance Curves** (Continued)



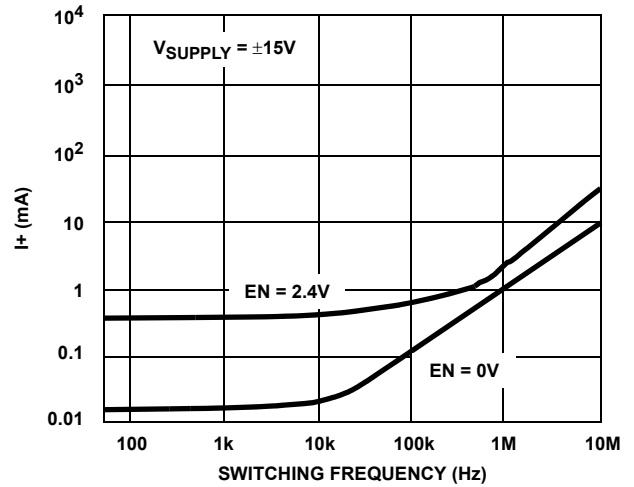
**FIGURE 16. SOURCE LEAKAGE CURRENT vs SOURCE VOLTAGE**



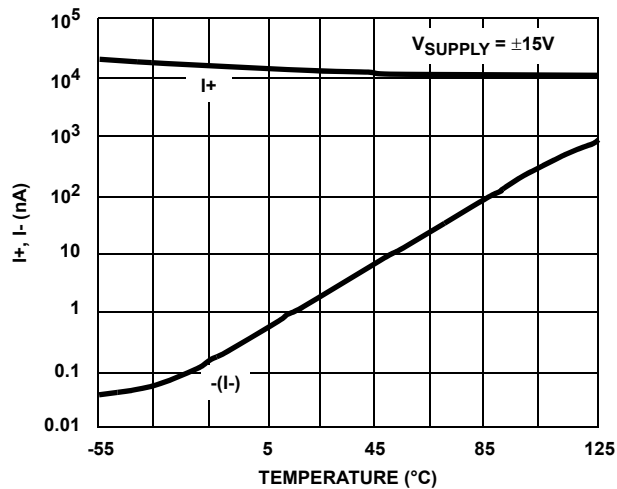
**FIGURE 17. INPUT SWITCHING THRESHOLD vs SUPPLY VOLTAGE**



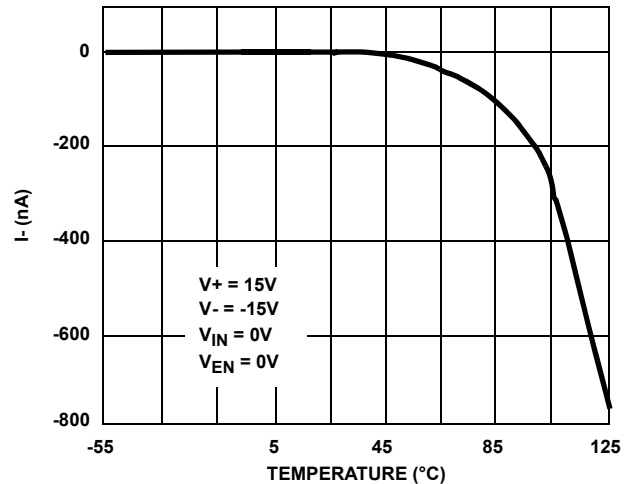
**FIGURE 18. NEGATIVE SUPPLY CURRENT vs SWITCHING FREQUENCY**



**FIGURE 19. POSITIVE SUPPLY CURRENT vs SWITCHING FREQUENCY**



**FIGURE 20. I\_SUPPLY vs TEMPERATURE**



**FIGURE 21. NEGATIVE SUPPLY CURRENT vs TEMPERATURE**

**Typical Performance Curves** (Continued)

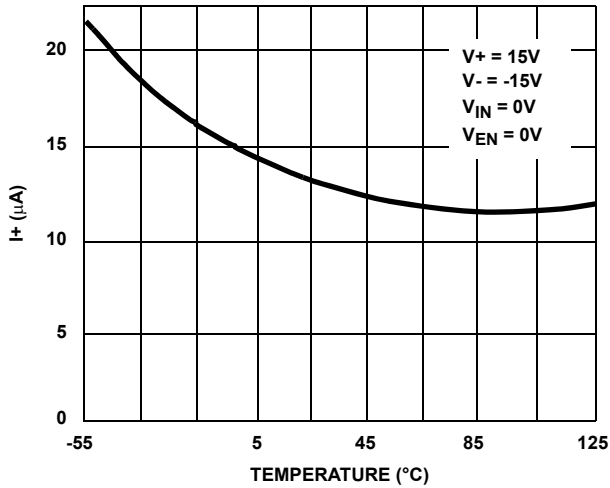


FIGURE 22. POSITIVE SUPPLY CURRENT vs TEMPERATURE (DG408)

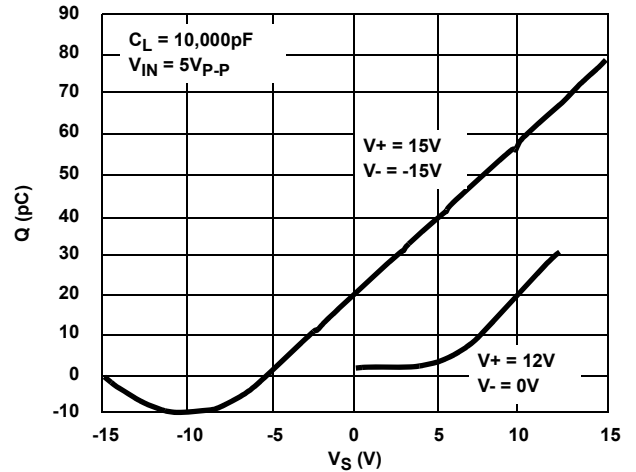


FIGURE 23. CHARGE INJECTION vs ANALOG VOLTAGE

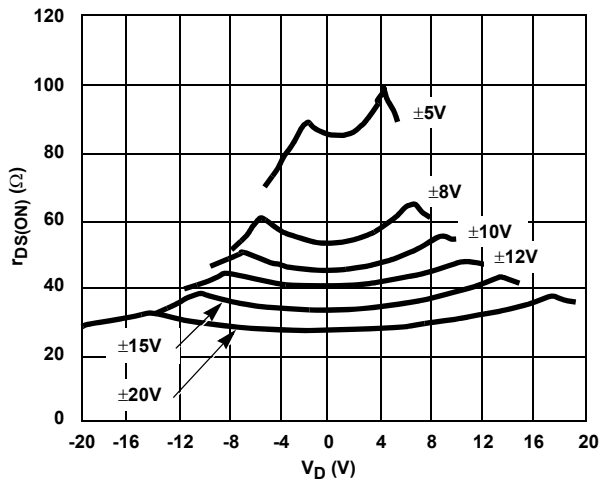


FIGURE 24.  $r_{DS(ON)}$  vs  $V_D$  AND SUPPLY

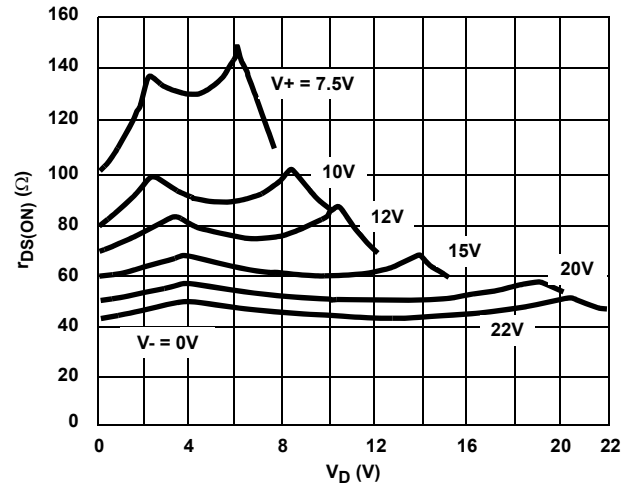


FIGURE 25.  $r_{DS(ON)}$  vs  $V_D$  (SINGLE SUPPLY)

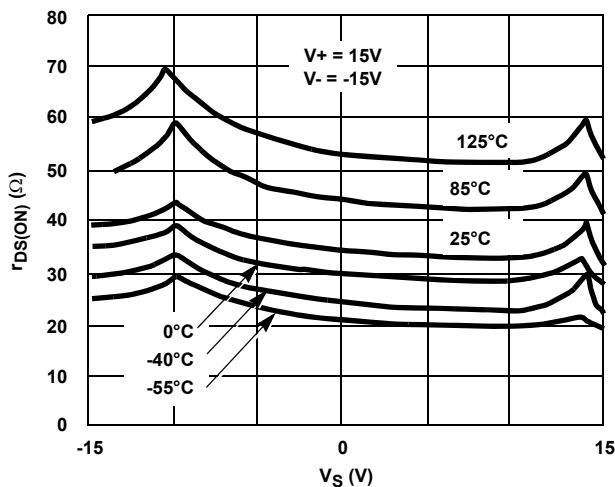


FIGURE 26.  $r_{DS(ON)}$  vs  $V_S$  AND TEMPERATURE

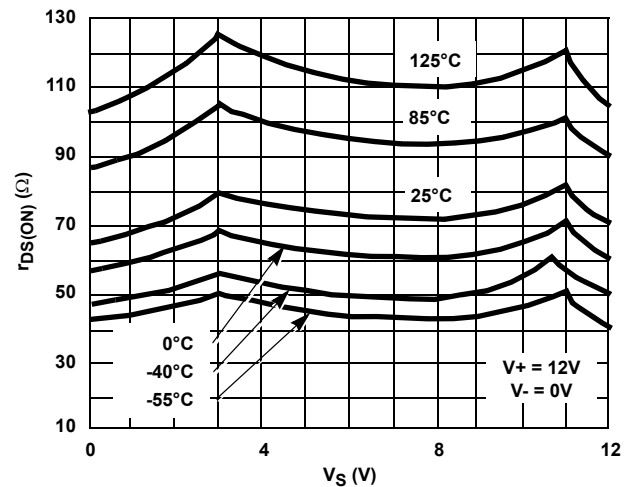


FIGURE 27.  $r_{DS(ON)}$  vs  $V_S$  AND TEMPERATURE (SINGLE SUPPLY)

**Typical Performance Curves** (Continued)

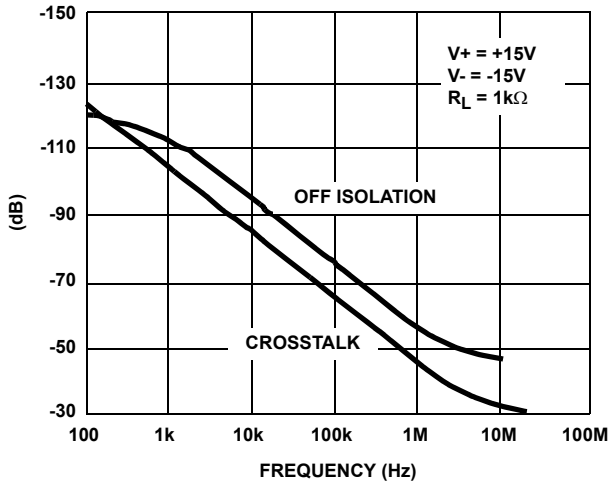


FIGURE 28. OFF ISOLATION AND CROSSTALK vs FREQUENCY

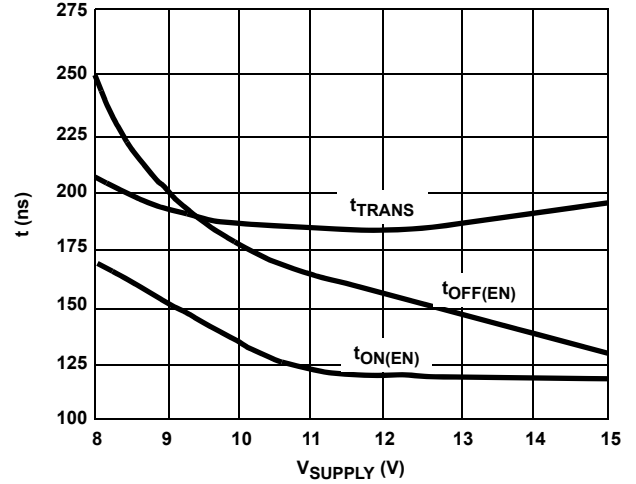


FIGURE 29. SWITCHING TIME vs SINGLE SUPPLY

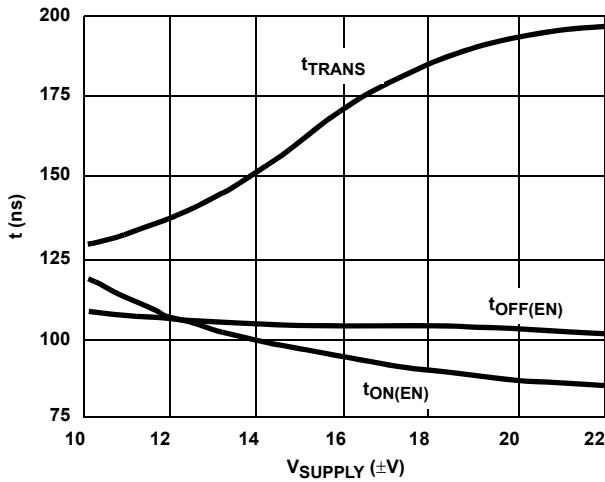


FIGURE 30. SWITCHING TIME vs BIPOLAR SUPPLY

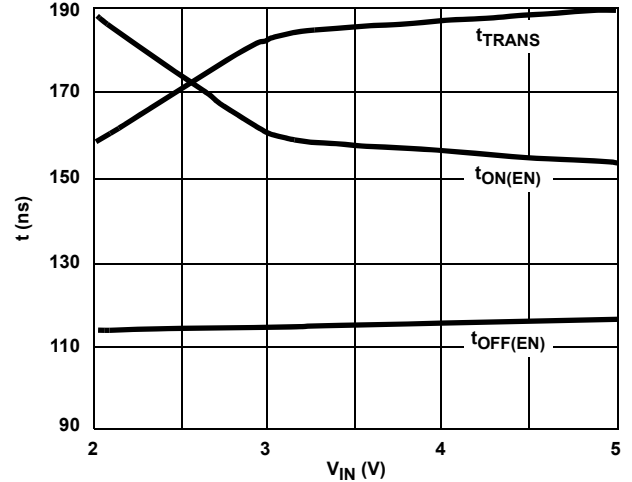


FIGURE 31. SWITCHING TIME vs  $V_{IN}$  (SINGLE SUPPLY)

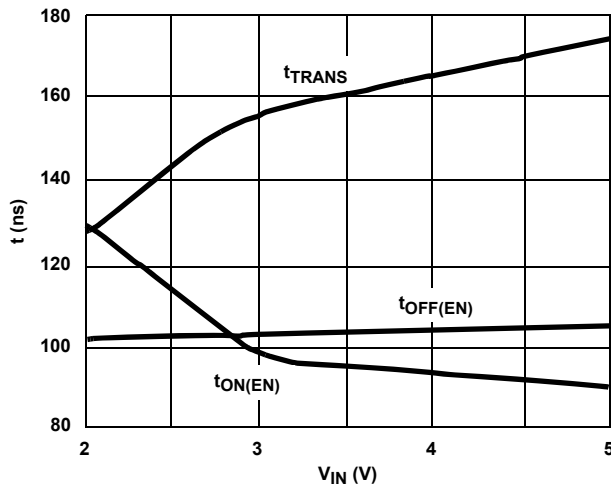


FIGURE 32. SWITCHING TIME vs  $V_{IN}$  (BIPOLAR SUPPLY)

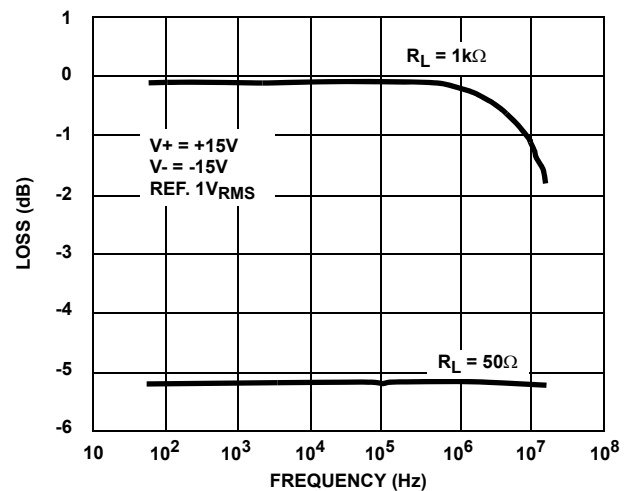


FIGURE 33. INSERTION LOSS vs FREQUENCY



### Die Characteristics

**DIE DIMENSIONS:**

1800 $\mu$ m x 3320 $\mu$ m x 485 $\mu$ m

**METALLIZATION:**

Type: SiAl

Thickness: 12k $\text{\AA}$   $\pm$  1k $\text{\AA}$

**PASSIVATION:**

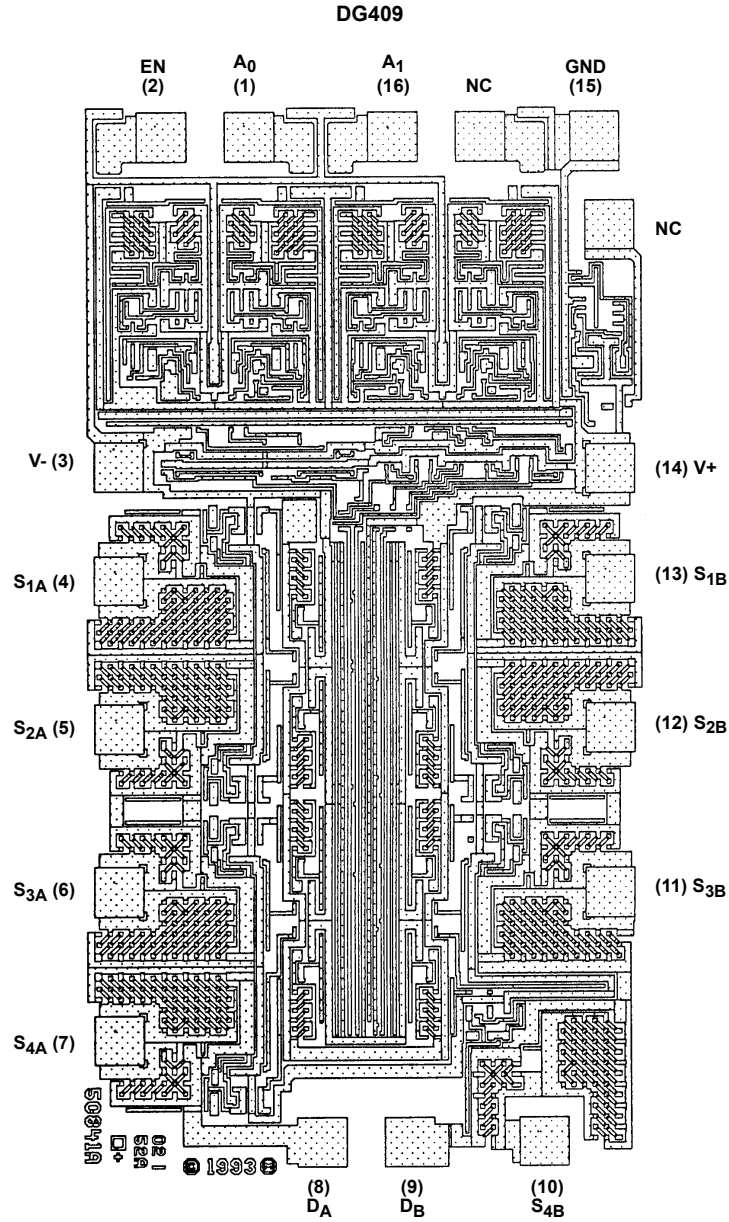
Type: Nitride

Thickness: 8k $\text{\AA}$   $\pm$  1k $\text{\AA}$

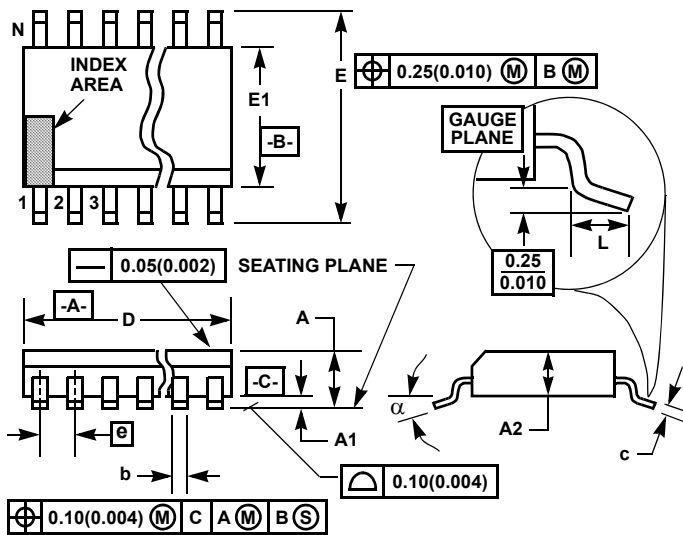
**WORST CASE CURRENT DENSITY:**

9.1 x 10<sup>4</sup> A/cm<sup>2</sup>

### Metallization Mask Layout



**Thin Shrink Small Outline Plastic Packages (TSSOP)**



**M16.173**  
16 LEAD THIN SHRINK SMALL OUTLINE PLASTIC PACKAGE

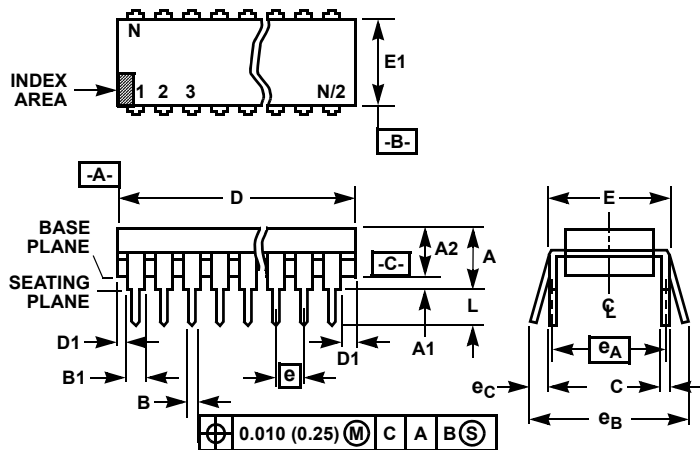
| SYMBOL | INCHES    |       | MILLIMETERS |      | NOTES |
|--------|-----------|-------|-------------|------|-------|
|        | MIN       | MAX   | MIN         | MAX  |       |
| A      | -         | 0.043 | -           | 1.10 | -     |
| A1     | 0.002     | 0.006 | 0.05        | 0.15 | -     |
| A2     | 0.033     | 0.037 | 0.85        | 0.95 | -     |
| b      | 0.0075    | 0.012 | 0.19        | 0.30 | 9     |
| c      | 0.0035    | 0.008 | 0.09        | 0.20 | -     |
| D      | 0.193     | 0.201 | 4.90        | 5.10 | 3     |
| E1     | 0.169     | 0.177 | 4.30        | 4.50 | 4     |
| e      | 0.026 BSC |       | 0.65 BSC    |      | -     |
| E      | 0.246     | 0.256 | 6.25        | 6.50 | -     |
| L      | 0.020     | 0.028 | 0.50        | 0.70 | 6     |
| N      | 16        |       | 16          |      | 7     |
| α      | 0°        | 8°    | 0°          | 8°   | -     |

**NOTES:**

1. These package dimensions are within allowable dimensions of JEDEC MO-153-AB, Issue E.
2. Dimensioning and tolerancing per ANSI Y14.5M-1982.
3. Dimension "D" does not include mold flash, protrusions or gate burrs. Mold flash, protrusion and gate burrs shall not exceed 0.15mm (0.006 inch) per side.
4. Dimension "E1" does not include interlead flash or protrusions. Interlead flash and protrusions shall not exceed 0.15mm (0.006 inch) per side.
5. The chamfer on the body is optional. If it is not present, a visual index feature must be located within the crosshatched area.
6. "L" is the length of terminal for soldering to a substrate.
7. "N" is the number of terminal positions.
8. Terminal numbers are shown for reference only.
9. Dimension "b" does not include dambar protrusion. Allowable dambar protrusion shall be 0.08mm (0.003 inch) total in excess of "b" dimension at maximum material condition. Minimum space between protrusion and adjacent lead is 0.07mm (0.0027 inch).
10. Controlling dimension: MILLIMETER. Converted inch dimensions are not necessarily exact. (Angles in degrees)

Rev. 1 2/02

### Dual-In-Line Plastic Packages (PDIP)



**NOTES:**

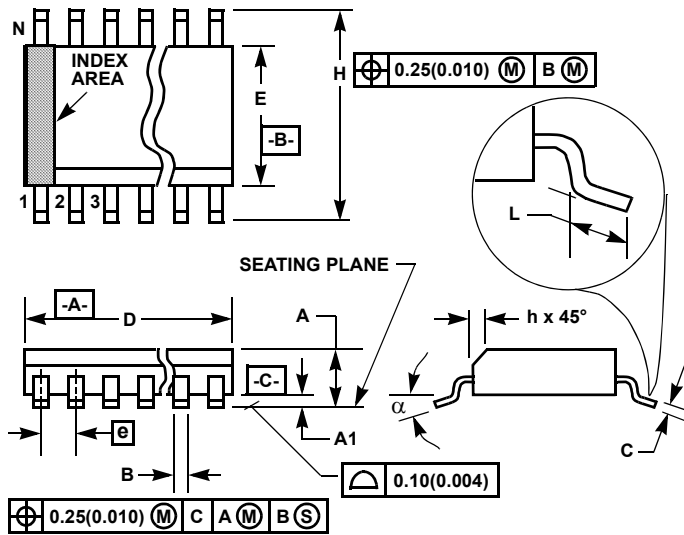
1. Controlling Dimensions: INCH. In case of conflict between English and Metric dimensions, the inch dimensions control.
2. Dimensioning and tolerancing per ANSI Y14.5M-1982.
3. Symbols are defined in the "MO Series Symbol List" in Section 2.2 of Publication No. 95.
4. Dimensions A, A1 and L are measured with the package seated in JEDEC seating plane gauge GS-3.
5. D, D1, and E1 dimensions do not include mold flash or protrusions. Mold flash or protrusions shall not exceed 0.010 inch (0.25mm).
6. E and  $e_A$  are measured with the leads constrained to be perpendicular to datum [-C-].
7.  $e_B$  and  $e_C$  are measured at the lead tips with the leads unconstrained.  $e_C$  must be zero or greater.
8. B1 maximum dimensions do not include dambar protrusions. Dambar protrusions shall not exceed 0.010 inch (0.25mm).
9. N is the maximum number of terminal positions.
10. Corner leads (1, N, N/2 and N/2 + 1) for E8.3, E16.3, E18.3, E28.3, E42.6 will have a B1 dimension of 0.030 - 0.045 inch (0.76 - 1.14mm).

**E16.3 (JEDEC MS-001-BB ISSUE D)  
16 LEAD DUAL-IN-LINE PLASTIC PACKAGE**

| SYMBOL | INCHES    |       | MILLIMETERS |       | NOTES |
|--------|-----------|-------|-------------|-------|-------|
|        | MIN       | MAX   | MIN         | MAX   |       |
| A      | -         | 0.210 | -           | 5.33  | 4     |
| A1     | 0.015     | -     | 0.39        | -     | 4     |
| A2     | 0.115     | 0.195 | 2.93        | 4.95  | -     |
| B      | 0.014     | 0.022 | 0.356       | 0.558 | -     |
| B1     | 0.045     | 0.070 | 1.15        | 1.77  | 8, 10 |
| C      | 0.008     | 0.014 | 0.204       | 0.355 | -     |
| D      | 0.735     | 0.775 | 18.66       | 19.68 | 5     |
| D1     | 0.005     | -     | 0.13        | -     | 5     |
| E      | 0.300     | 0.325 | 7.62        | 8.25  | 6     |
| E1     | 0.240     | 0.280 | 6.10        | 7.11  | 5     |
| e      | 0.100 BSC |       | 2.54 BSC    |       | -     |
| $e_A$  | 0.300 BSC |       | 7.62 BSC    |       | 6     |
| $e_B$  | -         | 0.430 | -           | 10.92 | 7     |
| L      | 0.115     | 0.150 | 2.93        | 3.81  | 4     |
| N      | 16        |       | 16          |       | 9     |

Rev. 0 12/93

**Small Outline Plastic Packages (SOIC)**



**M16.15 (JEDEC MS-012-AC ISSUE C)  
16 LEAD NARROW BODY SMALL OUTLINE PLASTIC PACKAGE**

| SYMBOL | INCHES    |        | MILLIMETERS |       | NOTES |
|--------|-----------|--------|-------------|-------|-------|
|        | MIN       | MAX    | MIN         | MAX   |       |
| A      | 0.0532    | 0.0688 | 1.35        | 1.75  | -     |
| A1     | 0.0040    | 0.0098 | 0.10        | 0.25  | -     |
| B      | 0.013     | 0.020  | 0.33        | 0.51  | 9     |
| C      | 0.0075    | 0.0098 | 0.19        | 0.25  | -     |
| D      | 0.3859    | 0.3937 | 9.80        | 10.00 | 3     |
| E      | 0.1497    | 0.1574 | 3.80        | 4.00  | 4     |
| e      | 0.050 BSC |        | 1.27 BSC    |       | -     |
| H      | 0.2284    | 0.2440 | 5.80        | 6.20  | -     |
| h      | 0.0099    | 0.0196 | 0.25        | 0.50  | 5     |
| L      | 0.016     | 0.050  | 0.40        | 1.27  | 6     |
| N      | 16        |        | 16          |       | 7     |
| α      | 0°        | 8°     | 0°          | 8°    | -     |

**NOTES:**

1. Symbols are defined in the "MO Series Symbol List" in Section 2.2 of Publication Number 95.
2. Dimensioning and tolerancing per ANSI Y14.5M-1982.
3. Dimension "D" does not include mold flash, protrusions or gate burrs. Mold flash, protrusion and gate burrs shall not exceed 0.15mm (0.006 inch) per side.
4. Dimension "E" does not include interlead flash or protrusions. Interlead flash and protrusions shall not exceed 0.25mm (0.010 inch) per side.
5. The chamfer on the body is optional. If it is not present, a visual index feature must be located within the crosshatched area.
6. "L" is the length of terminal for soldering to a substrate.
7. "N" is the number of terminal positions.
8. Terminal numbers are shown for reference only.
9. The lead width "B", as measured 0.36mm (0.014 inch) or greater above the seating plane, shall not exceed a maximum value of 0.61mm (0.024 inch).
10. Controlling dimension: MILLIMETER. Converted inch dimensions are not necessarily exact.

Rev. 1 6/05

© Copyright Intersil Americas LLC 1999-2006. All Rights Reserved.  
All trademarks and registered trademarks are the property of their respective owners.

For additional products, see [www.intersil.com/en/products.html](http://www.intersil.com/en/products.html)

Intersil products are manufactured, assembled and tested utilizing ISO9001 quality systems as noted in the quality certifications found at [www.intersil.com/en/support/qualandreliability.html](http://www.intersil.com/en/support/qualandreliability.html)

Intersil products are sold by description only. Intersil may modify the circuit design and/or specifications of products at any time without notice, provided that such modification does not, in Intersil's sole judgment, affect the form, fit or function of the product. Accordingly, the reader is cautioned to verify that datasheets are current before placing orders. Information furnished by Intersil is believed to be accurate and reliable. However, no responsibility is assumed by Intersil or its subsidiaries for its use; nor for any infringements of patents or other rights of third parties which may result from its use. No license is granted by implication or otherwise under any patent or patent rights of Intersil or its subsidiaries.

For information regarding Intersil Corporation and its products, see [www.intersil.com](http://www.intersil.com)

## Looking for pricing, stock, or lifecycle information?

Click below to explore more details on WIN SOURCE:

 [View DG408DYZ-T on WIN SOURCE](#)

 [Intersil Information](#)

## Optimize Your Supply Chain with WIN SOURCE Solutions

-  Global Sourcing Solution
-  Obsolete Management
-  Cost Control Management
-  Shortage Management
-  Alternative Solution
-  Excess Inventory Management