



**THE DATASHEET OF  
TL9320AF400QG**



# TL9320 SERIES TACT SWITCH

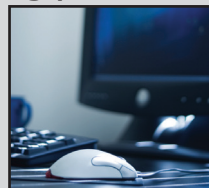
ANTI-VANDAL SWITCHES  
 DETECTOR SWITCHES  
 DIP SWITCHES  
 KEYLOCK SWITCHES  
 NAVIGATION SWITCHES  
 PUSHBUTTON SWITCHES  
 ROCKER SWITCHES  
 ROTARY SWITCHES  
 SLIDE SWITCHES  
 SNAP ACTION SWITCHES  
**TACTILE SWITCHES**  
 TOGGLE SWITCHES  
 CAP OPTIONS



## APPLICATIONS / MARKETS



Wearable Electronics



Computer Peripherals



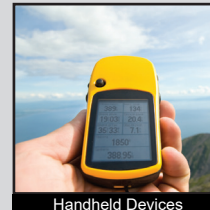
Consumer Electronics



Instrumentation



Telecommunication



Handheld Devices

**RoHS**

## SPECIFICATIONS

**Contact Arrangement:** SPST  
**Contact Rating:** 16VDC, 50mA  
**Contact Resistance:** >100mOhms  
**Insulation Resistance:** <100MOHMS @ 100VDC  
**Dielectric Strength:** 250VAC  
**Operation Life:** 500,000 Cycles  
**Operating Temperature:** -20°C to +70°C  
**Storage Temperature:** -30°C to +80°C  
**Moisture Protection:** IP67  
**Travel:** 0.9mm  
**Actuation Force:** 400gf

## FEATURES & BENEFITS

- SPST contact arrangement
- 8.4mm (W) x 8.4mm (L) x 3.95mm (H) dimensions
- Up to 500,000 cycle life expectancy
- IP67 moisture protection

## PART NUMBER CONFIGURATOR

Series	Model	Actuator Option	Actuation Force	Contact Material	Termination
<input type="text" value="TL"/>	<input type="text" value="9320"/>	<input type="text" value="A - 3.95mm"/>	<input type="text" value="F400 - 400gf"/>	<input type="text" value="Q - Silver"/>	<input type="text" value="G - Gullwing"/>

Specifications subject to change without notice 8.21.2019



**E-SWITCH®**

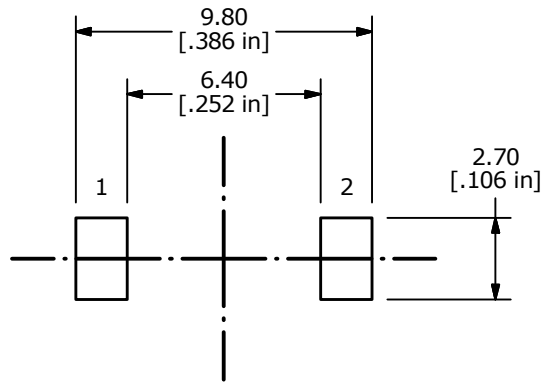
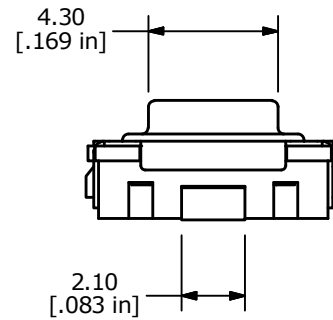
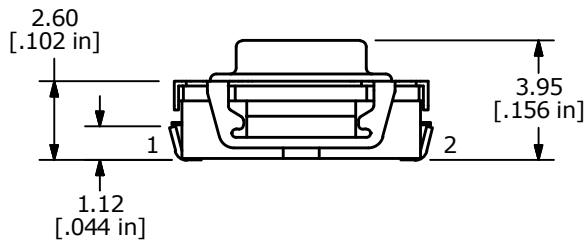
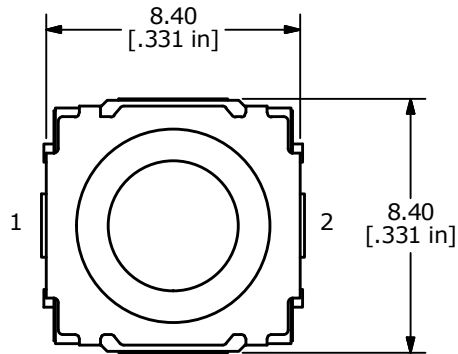
www.e-switch.com

800.867.2717

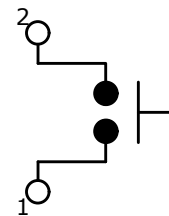
1

# TL9320 SERIES TACT SWITCH

## BODY DIMENSIONS



**SURFACE MOUNT PCB LAYOUT**



**SCHEMATIC**

- ANTI-VANDAL SWITCHES
- DETECTOR SWITCHES
- DIP SWITCHES
- KEYLOCK SWITCHES
- NAVIGATION SWITCHES
- PUSHBUTTON SWITCHES
- ROCKER SWITCHES
- ROTARY SWITCHES
- SLIDE SWITCHES
- SNAP ACTION SWITCHES
- TACTILE SWITCHES**
- TOGGLE SWITCHES
- CAP OPTIONS



## Looking for pricing, stock, or lifecycle information?

Click below to explore more details on WIN SOURCE:

 [View TL9320AF400QG on WIN SOURCE](#)

 [E-Switch Information](#)

## Optimize Your Supply Chain with WIN SOURCE Solutions

-  Global Sourcing Solution
-  Obsolete Management
-  Cost Control Management
-  Shortage Management
-  Alternative Solution
-  Excess Inventory Management